



US00D846215S

(12) **United States Design Patent** (10) **Patent No.:** **US D846,215 S**
Johnson (45) **Date of Patent:** **** Apr. 16, 2019**

(54) **CLEANING SPONGE**
(71) Applicant: **Bobby J. Johnson**, Grosse Pointe Farms, MI (US)
(72) Inventor: **Bobby J. Johnson**, Grosse Pointe Farms, MI (US)
(**) Term: **15 Years**

D610,753 S * 2/2010 Moskowitz D30/158
D657,924 S * 4/2012 Soegaard D30/160
D658,823 S * 5/2012 Viola D30/160
D671,599 S * 11/2012 Herndon D20/29
D679,196 S * 4/2013 Dos Santos D9/601
D686,797 S * 7/2013 Robinson D1/106
D747,066 S * 1/2016 Roetheli D1/106
9,848,585 B1 * 12/2017 Perozo A01K 29/00
D819,899 S * 6/2018 Gick D30/160

(21) Appl. No.: **29/625,048**
(22) Filed: **Nov. 6, 2017**
(51) **LOC (11) Cl.** **07-05**
(52) **U.S. Cl.**
USPC **D32/40**
(58) **Field of Classification Search**
USPC D9/456-457, 499, 601; D14/485,
D14/488-489, 491, 493; D32/40-45,
D32/50-52; D4/130-135, 199; D30/160;
D1/106; D21/405, 720
CPC A47L 13/24; A47L 13/12; A46B 5/02
See application file for complete search history.

FOREIGN PATENT DOCUMENTS

CN 304373734 * 11/2017
CN 304480759 * 1/2018

OTHER PUBLICATIONS

Poochie Bells Bone Dry Sponge for Dog Hair an . . . | BaxterBoo website no date, <https://www.baxterboo.com/p.cfm/poochie-bells-bone-dry-sponge-for-dog-hair-lint-remover>, site visited Sep. 26, 2018.*

* cited by examiner

Primary Examiner — John Windmuller

Assistant Examiner — John R Yeh

(74) *Attorney, Agent, or Firm* — Jacob M. Ward; Ward Law Office LLC

(56) **References Cited**

U.S. PATENT DOCUMENTS

4,857,333 A * 8/1989 Harold A01K 13/003
424/442
4,866,806 A * 9/1989 Bedford A47L 13/16
15/104.94
D305,951 S * 2/1990 Spiel D1/106
D340,491 S * 10/1993 Nass D21/720
D379,698 S * 6/1997 Freudenberg D32/40
D392,433 S * 3/1998 Norris D32/40
D394,414 S * 5/1998 Catalano D1/199
D407,185 S * 3/1999 Marcks D1/106
D428,136 S * 7/2000 Cady D24/101
D456,575 S * 4/2002 Celia D28/63
D457,698 S * 5/2002 Susani D28/63
D490,965 S * 6/2004 Lawrenson D1/106
D589,220 S * 3/2009 Leahy D32/40
D606,652 S * 12/2009 Hood D24/124
D610,321 S * 2/2010 Leahy D32/40

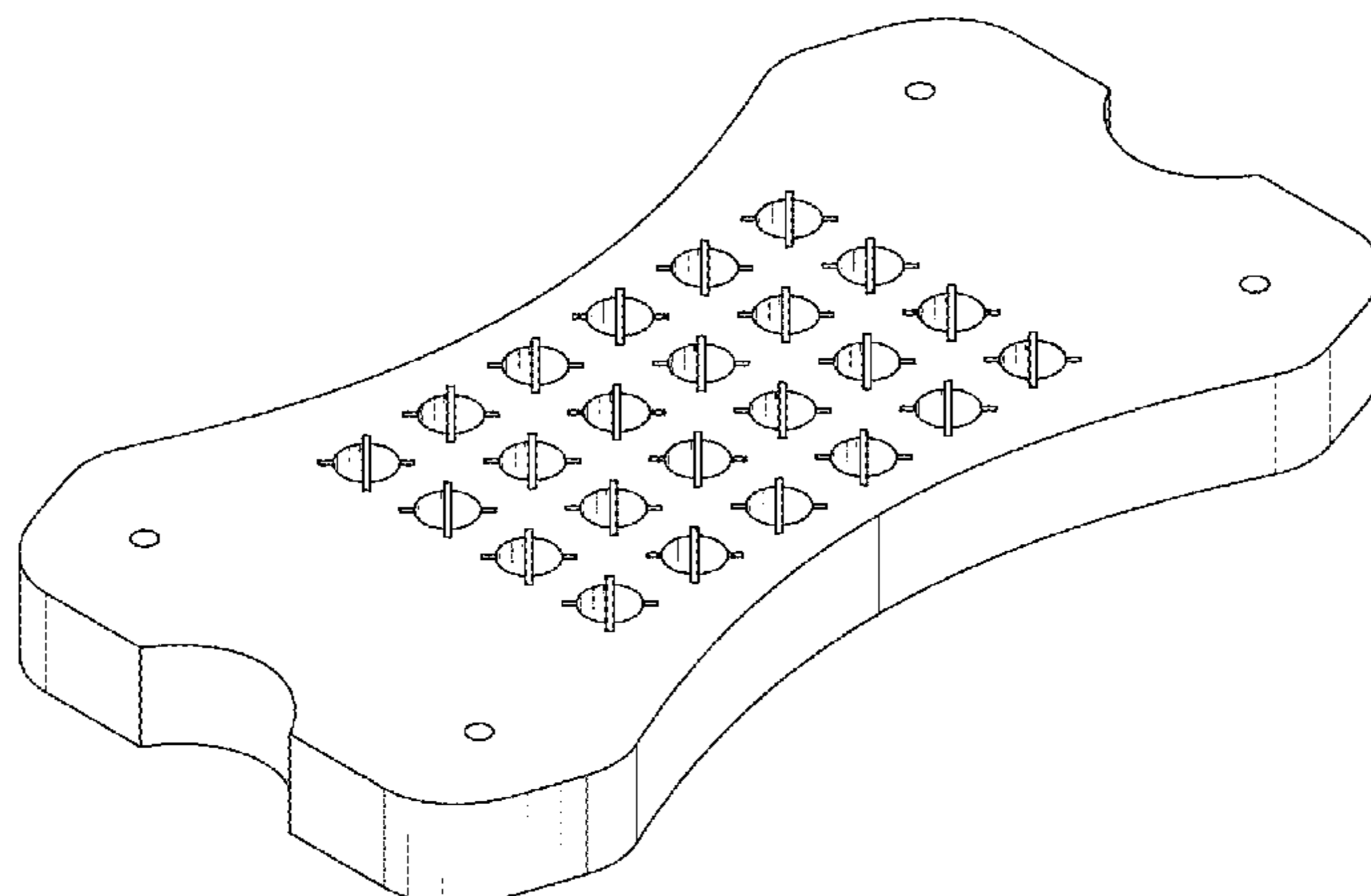
(57) **CLAIM**

The ornamental design for a cleaning sponge, as shown and described.

DESCRIPTION

FIG. 1 is a top perspective view of a cleaning sponge showing my new design;
FIG. 2 is a top plan view thereof, the bottom plan view being identical thereto;
FIG. 3 is a right side elevation view thereof, the left side view being identical thereto; and,
FIG. 4 is front elevation view thereof, the rear elevation view being identical thereto.

1 Claim, 2 Drawing Sheets



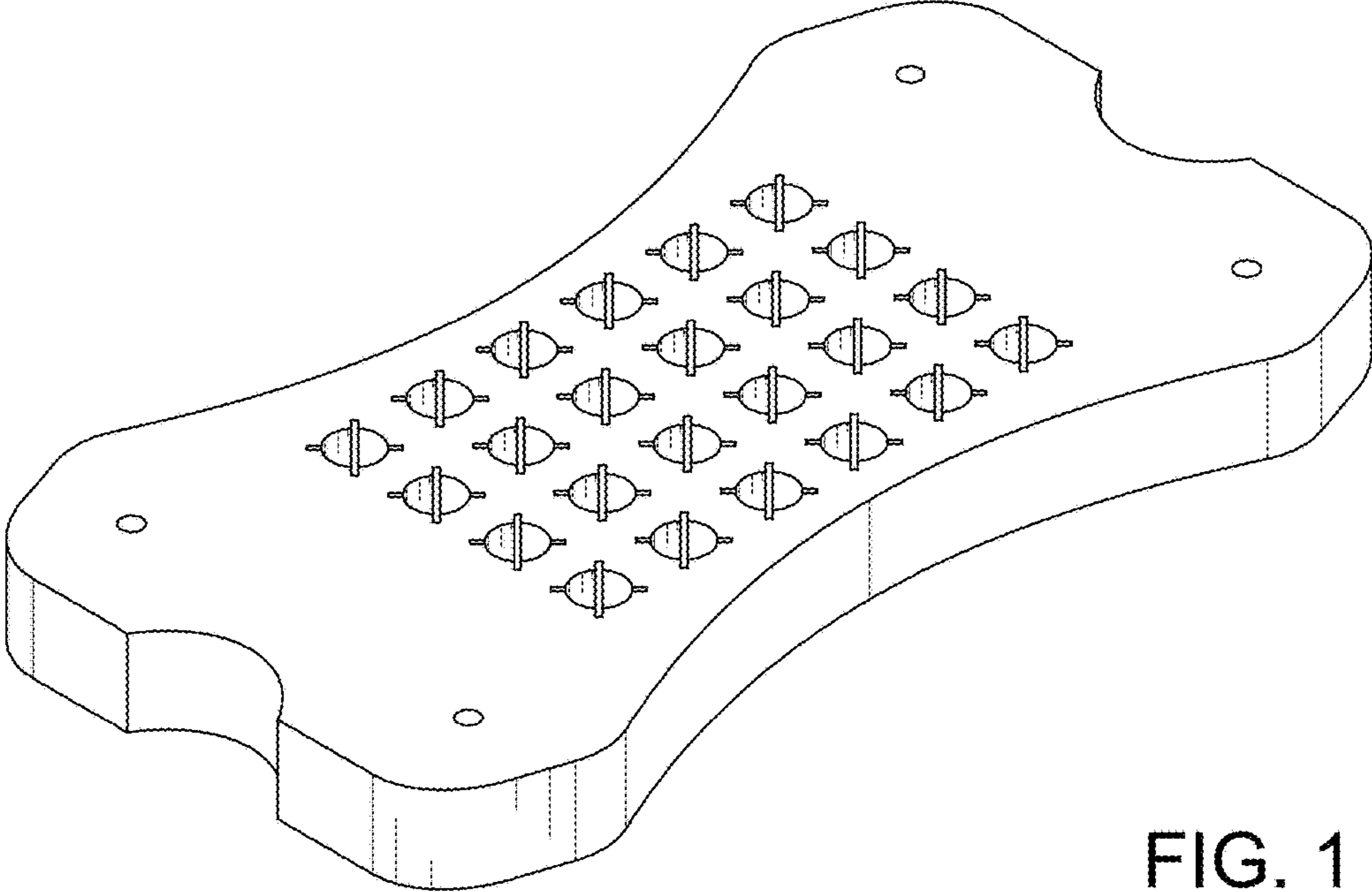


FIG. 1

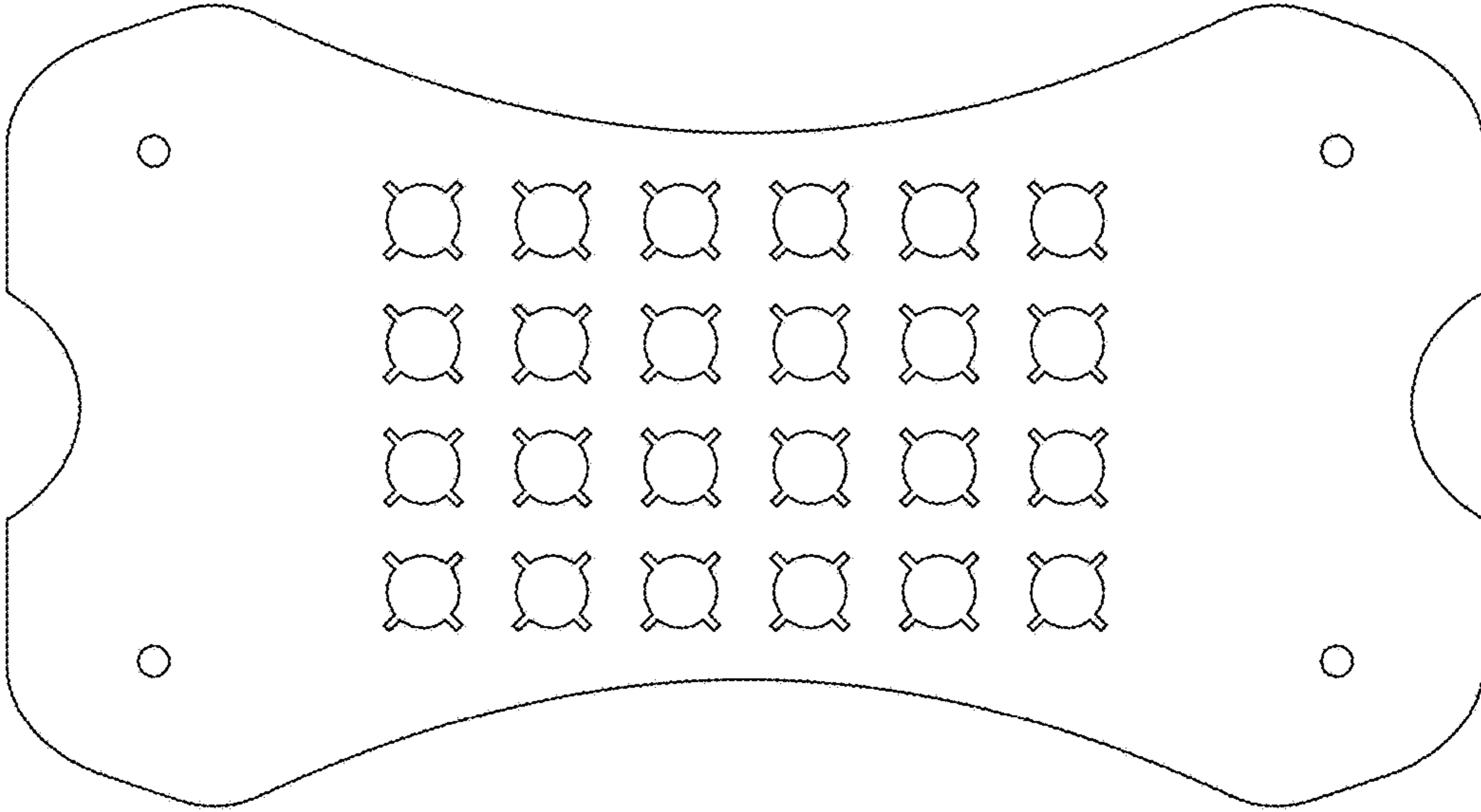


FIG. 2

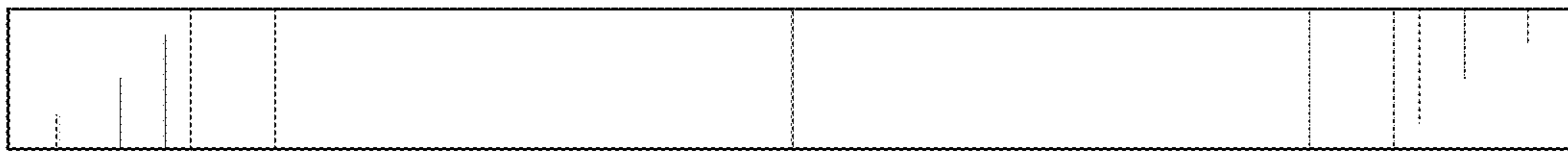


FIG. 3

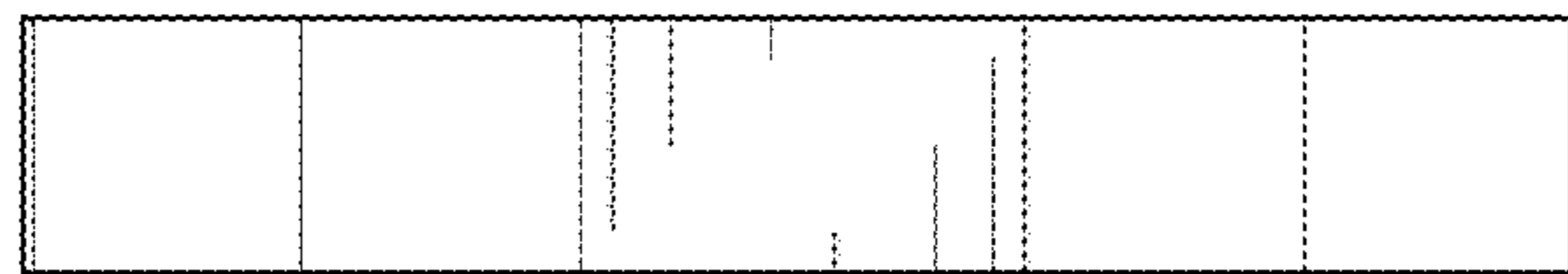


FIG. 4