



US00D846213S

(12) **United States Design Patent**
Keith et al.

(10) **Patent No.:** **US D846,213 S**
(45) **Date of Patent:** **** Apr. 16, 2019**

(54) **CLEANING PAD**

FOREIGN PATENT DOCUMENTS

(71) Applicant: **The Procter & Gamble Company**,
Cincinnati, OH (US)

CN 303066272 * 1/2015
EM 001166631-0004 * 10/2009

(72) Inventors: **Brian Lee Keith**, Hamersville, OH
(US); **Nicola John Policicchio**, Mason,
OH (US)

OTHER PUBLICATIONS

(73) Assignee: **The Procter & Gamble Company**,
Cincinnati, OH (US)

Amazon.com: O-Cedar Scrunge No Scratch Scrubber Sponge,
review date Sep. 10, 2013, <https://www.amazon.com/Cedar-Scrunge-Scratch-Scrubber-Sponge/dp/B008HVHMUU#customerReviews>, site
visited Jun. 5, 2018 (Year: 2013).*

(**) Term: **15 Years**

(Continued)

(21) Appl. No.: **29/607,995**

Primary Examiner — John Windmuller
Assistant Examiner — John R Yeh

(22) Filed: **Jun. 19, 2017**

(74) *Attorney, Agent, or Firm* — John T. Dipre

(51) **LOC (11) Cl.** **07-05**

(52) **U.S. Cl.**
USPC **D32/40**

(58) **Field of Classification Search**
USPC D32/39-46, 49-52; D34/4; D6/598;
D21/600

CPC . A47K 7/02; A61M 1/00; A47L 13/00; A47L
13/10; B32B 5/18; B24D 11/00; B24D
3/00; B24D 3/34

See application file for complete search history.

(57) **CLAIM**

The ornamental design for a cleaning pad, as shown and
described.

DESCRIPTION

FIG. 1 is a perspective view of an embodiment of a cleaning
pad;
FIG. 2 is a bottom plan view thereof;
FIG. 3 is a top plan view thereof;
FIG. 4 is a side view of one side thereof;
FIG. 5 is an end view of one side thereof;
FIG. 6 is a side view of the opposite side thereof;
FIG. 7 is an end view of the opposite side thereof.
FIG. 8 is a perspective view of a second embodiment of a
cleaning pad, wherein the shaded regions represent a con-
trasting color relative to the unshaded regions;
FIG. 9 is a bottom plan view thereof;
FIG. 10 is a top plan view thereof;
FIG. 11 is a side view of one side thereof;
FIG. 12 is an end view of one side thereof;
FIG. 13 is a side view of the opposite side thereof; and,
FIG. 14 is an end view of the opposite side thereof.

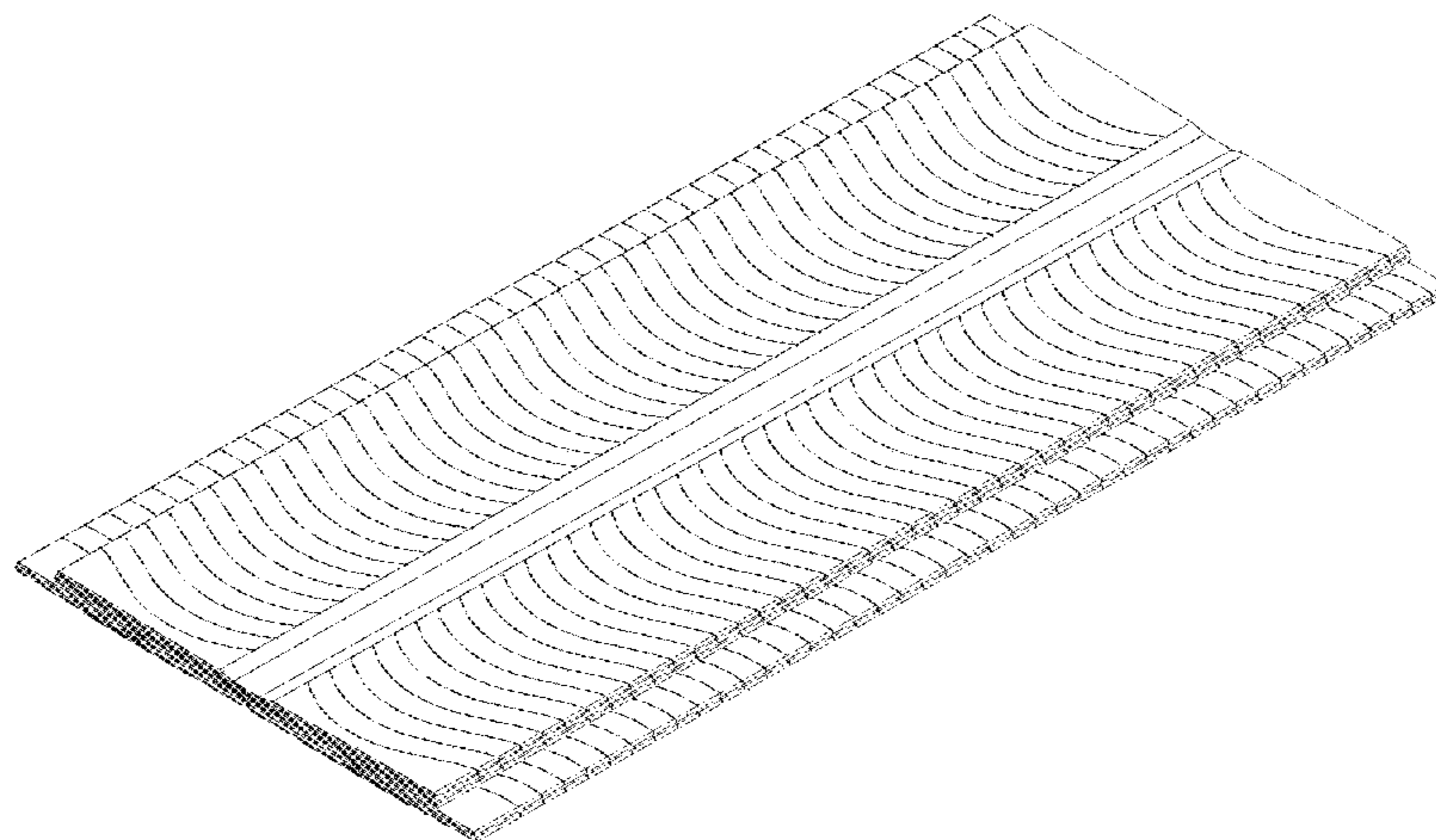
(56) **References Cited**

U.S. PATENT DOCUMENTS

4,378,394 A * 3/1983 Miura B29C 44/1271
428/113
D435,949 S * 1/2001 Denney D32/40
D439,386 S * 3/2001 Denney D32/40
D556,966 S * 12/2007 Herbrand D32/40
D578,718 S * 10/2008 Bettanin D32/40
D590,116 S * 4/2009 Policicchio D32/40
D640,025 S * 6/2011 Wildeman D32/40
8,142,879 B2 * 3/2012 Whitaker B29C 53/063
428/172
D667,187 S * 9/2012 Sowinski D32/40
D714,506 S * 9/2014 Yamada D32/40

(Continued)

1 Claim, 8 Drawing Sheets



(56)

References Cited

U.S. PATENT DOCUMENTS

9,661,973 B2 * 5/2017 Wahlquist A47L 13/16
 D813,480 S * 3/2018 Burazin D32/40
 2006/0036225 A1 * 2/2006 Middlesworth ... A61F 13/15593
 604/378
 2007/0125042 A1 * 6/2007 Hughes B32B 5/18
 52/782.1
 2009/0018479 A1 * 1/2009 McCarthy A61F 13/20
 602/43
 2012/0060312 A1 * 3/2012 Kubes A47L 13/16
 15/228
 2012/0160401 A1 * 6/2012 Whitaker B29C 53/063
 156/217
 2014/0141199 A1 * 5/2014 Leonard B32B 27/08
 428/138
 2015/0343605 A1 * 12/2015 Hoglund B24D 11/001
 451/529
 2016/0023430 A1 * 1/2016 Calkins B32B 3/266
 428/137
 2016/0138458 A1 * 5/2016 Weidner B32B 5/18
 285/363
 2016/0305119 A1 * 10/2016 Parsons D04H 13/00
 2017/0008251 A1 * 1/2017 Pruett B32B 5/18
 2018/0099798 A1 * 4/2018 Lehrter B65D 65/44
 2018/0125277 A1 * 5/2018 Sustar A47G 27/0225

OTHER PUBLICATIONS

Forest Green Wavy Lines Tile | Zazzle.com, review date Apr. 2, 2015, https://www.zazzle.com/forest_green_wavy_lines_tile-227046839982568485, site visited Jun. 5, 2018 (Year: 2015).*

* cited by examiner

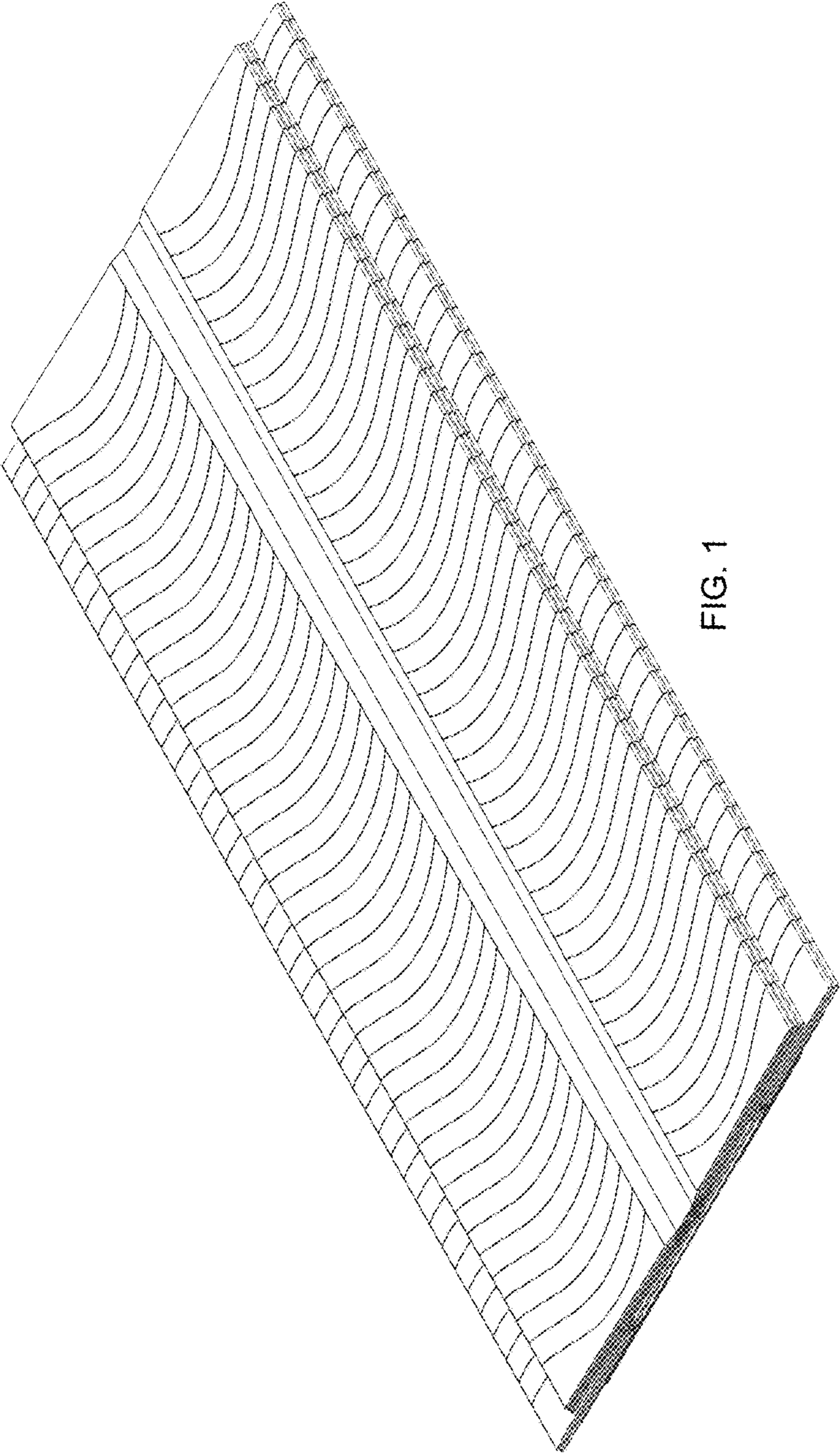


FIG. 1

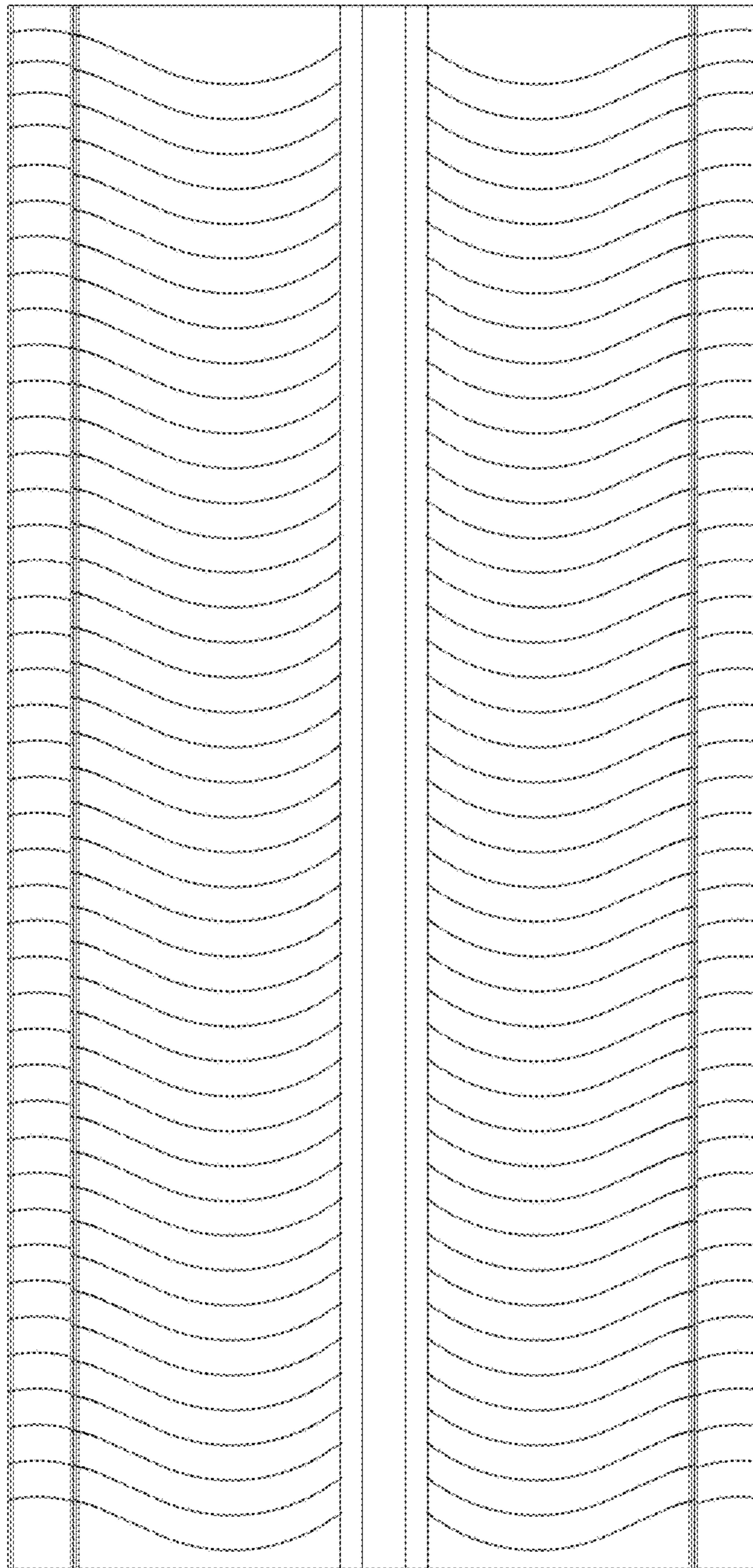


FIG. 2

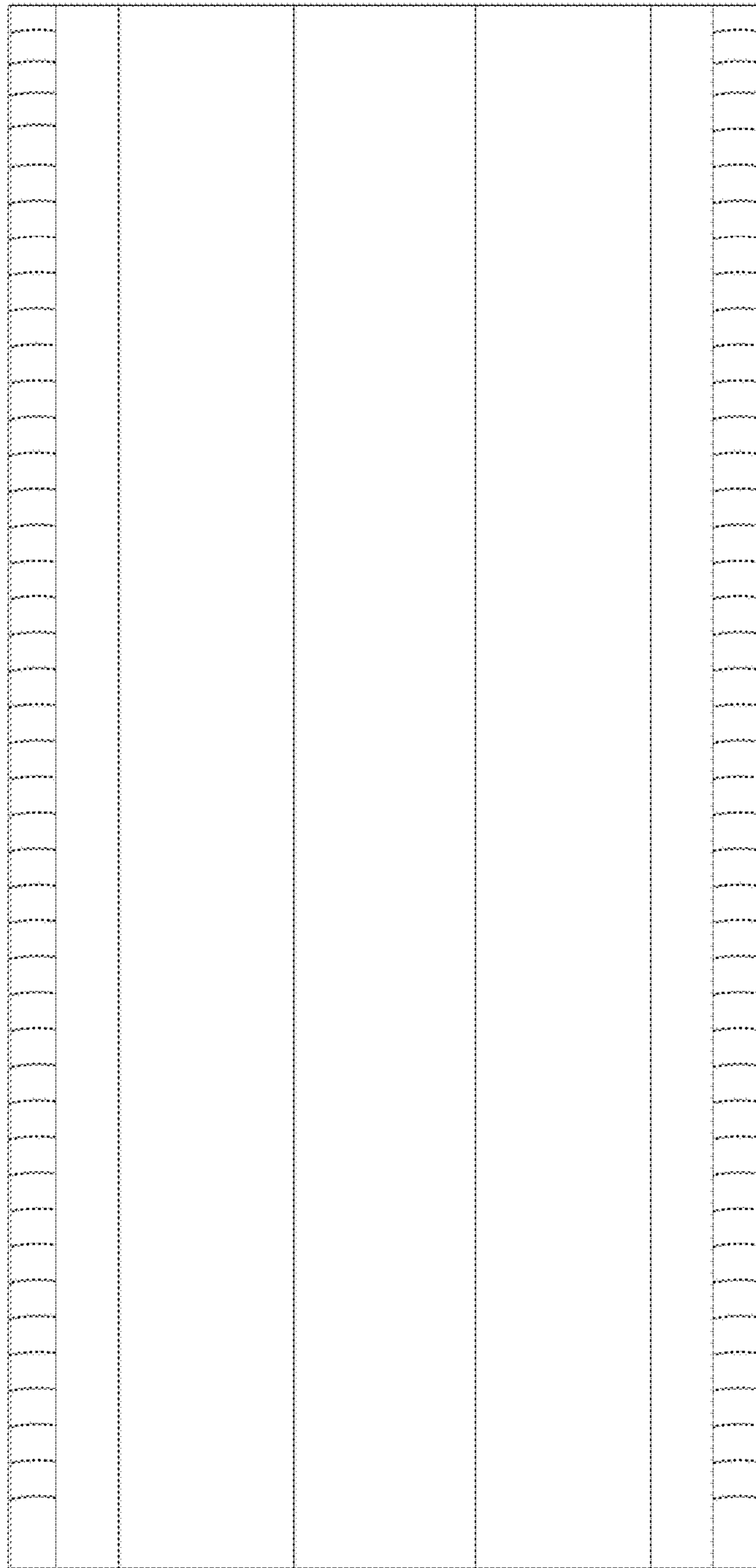


FIG. 3



FIG. 4



FIG. 5



FIG. 6



FIG. 7

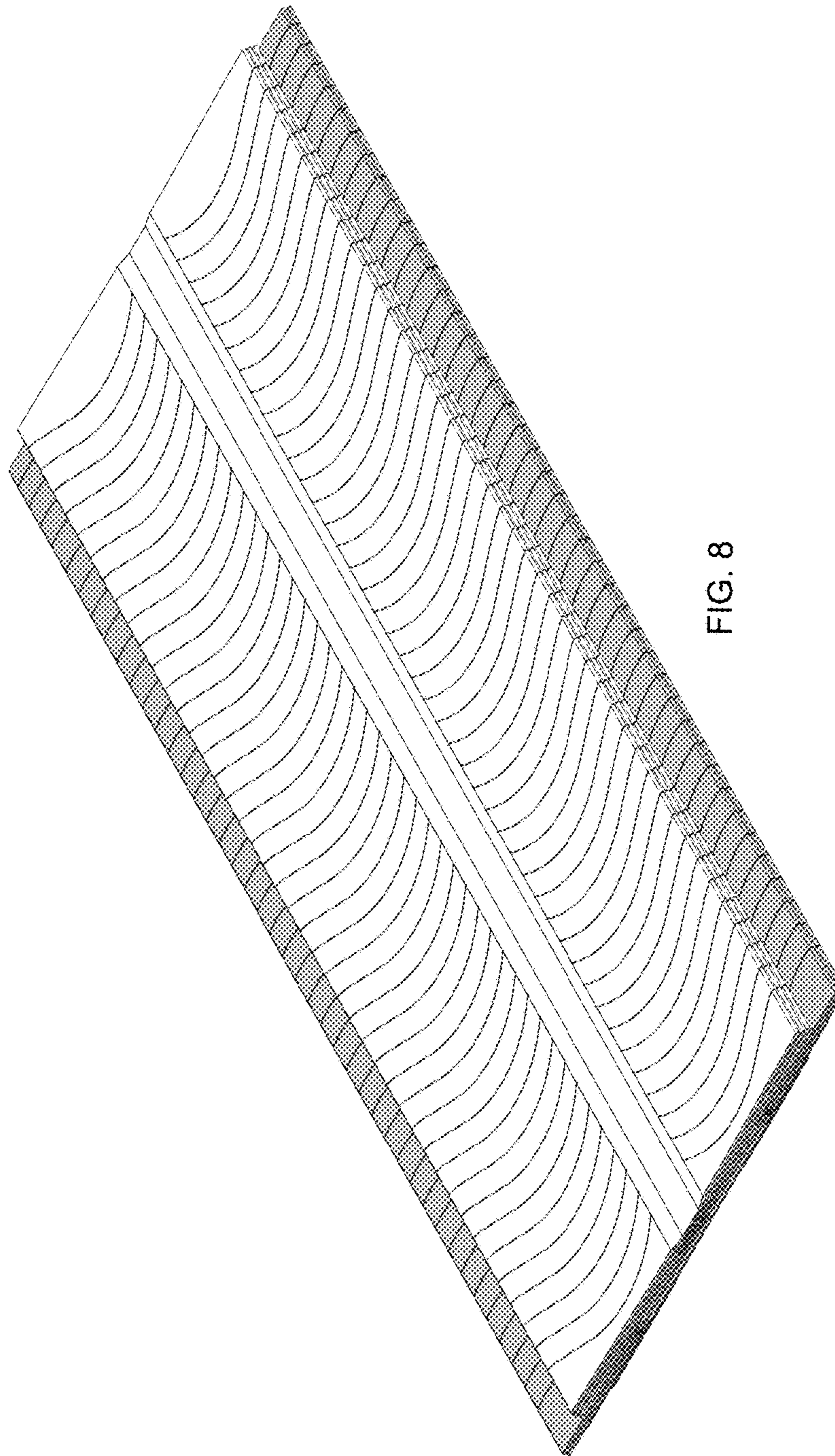


FIG. 8

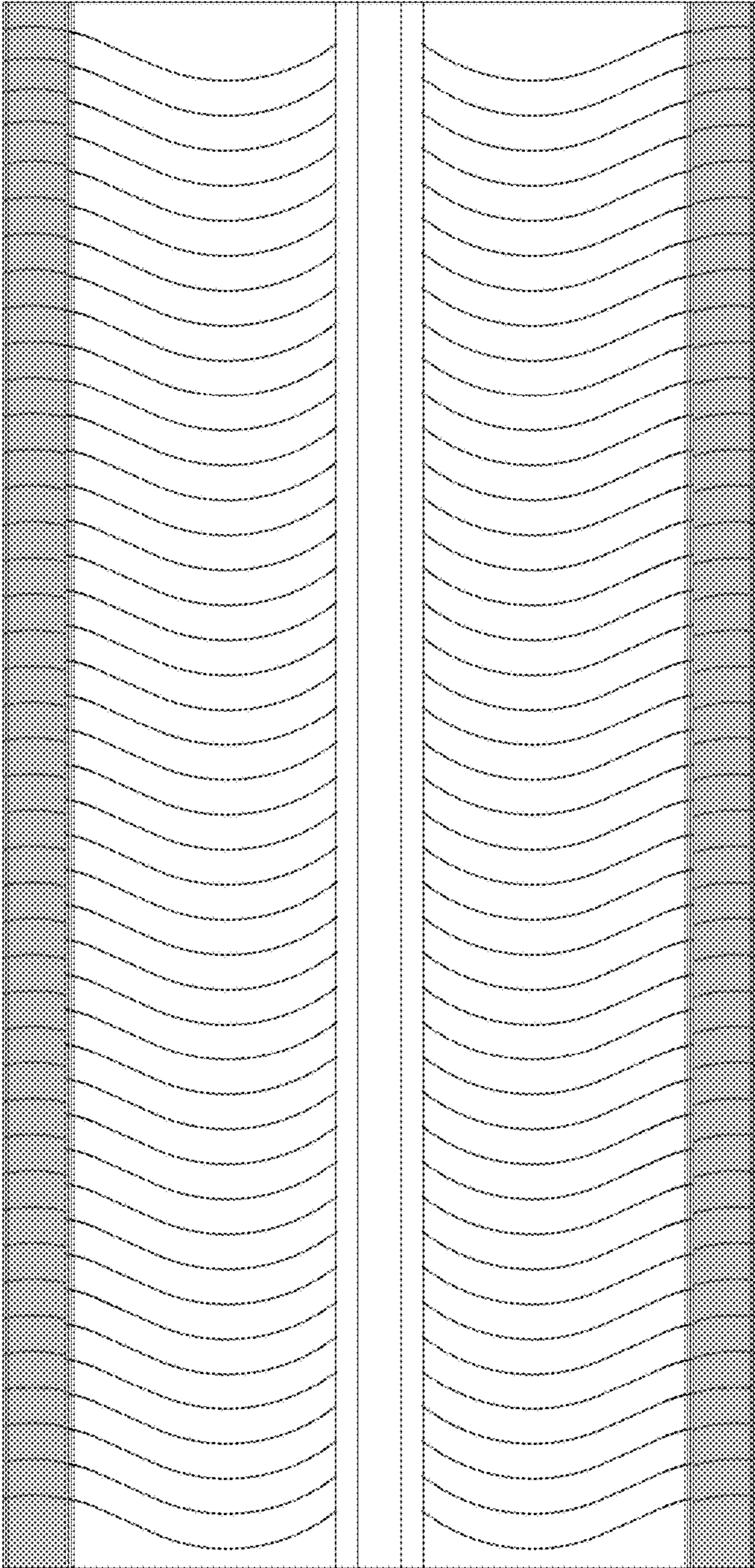


FIG. 9

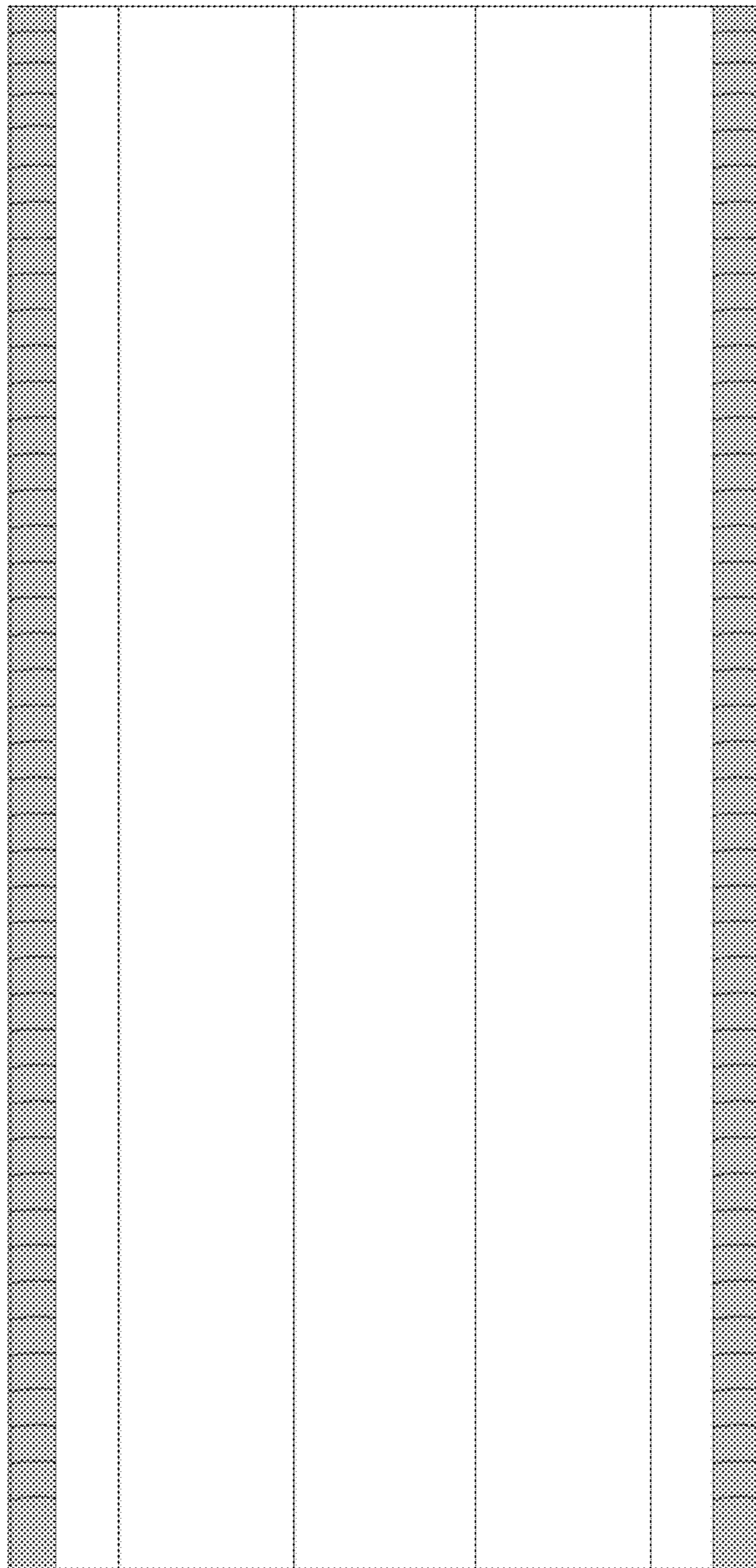


FIG. 10



FIG. 11



FIG. 12



FIG. 13



FIG. 14