

US00D846211S

(12) **United States Design Patent**
Yoon et al.

(10) **Patent No.:** **US D846,211 S**
(45) **Date of Patent:** **** Apr. 16, 2019**

- (54) **DRYER**
- (71) Applicant: **SAMSUNG ELECTRONICS CO., LTD.**, Suwon-si, Gyeonggi-do (KR)
- (72) Inventors: **Sanghun Yoon**, Seoul (KR); **Yuna Park**, Seoul (KR); **Myunggyu Kim**, Seoul (KR); **Ahjung Joo**, Seoul (KR)
- (73) Assignee: **SAMSUNG ELECTRONICS CO., LTD.**, Gyeonggi-Do (KR)
- (**) Term: **15 Years**
- (21) Appl. No.: **29/635,454**
- (22) Filed: **Jan. 31, 2018**

D465,308 S *	11/2002	Resuello	D32/6
D470,632 S *	2/2003	Oda	D32/6
D489,496 S *	5/2004	Sneddon	D32/6
D516,258 S *	2/2006	Matsusaki	D32/1
D519,692 S *	4/2006	Jun	D32/6
D524,000 S *	6/2006	Kim	D32/6
D526,453 S *	8/2006	Jun	D32/6
D527,150 S *	8/2006	Jun	D32/6
D528,712 S *	9/2006	Ha	D32/6
D528,713 S *	9/2006	Ha	D32/6
D537,991 S	3/2007	Jun	
D538,488 S *	3/2007	Carey	D32/6
D547,915 S	7/2007	Jun	
D554,307 S *	10/2007	Kim	D32/6
D556,394 S *	11/2007	Kim	D32/6
D557,466 S	12/2007	Suh	

(Continued)

- Related U.S. Application Data**
- (63) Continuation of application No. 29/593,661, filed on Feb. 10, 2017, now Pat. No. Des. 811,671.

- (30) **Foreign Application Priority Data**
- Nov. 29, 2016 (KR) 30-2016-0057687
- (51) **LOC (11) Cl.** **15-05**
- (52) **U.S. Cl.**
- USPC **D32/8**
- (58) **Field of Classification Search**
- USPC D32/6, 8, 1, 25, 5; D7/340, 405
- CPC D06F 58/00; D06F 58/02; D06F 58/04; D06F 58/20
- See application file for complete search history.

- (56) **References Cited**
- U.S. PATENT DOCUMENTS**
- D359,602 S * 6/1995 Swartz D32/6
- D360,500 S * 7/1995 Millet D32/5
- D374,954 S * 10/1996 Katz D32/6
- D422,387 S 4/2000 Mutoh et al.

FOREIGN PATENT DOCUMENTS

CN	303423821 S	10/2015
KR	300387514 S	7/2005
KR	300768037 S	10/2014

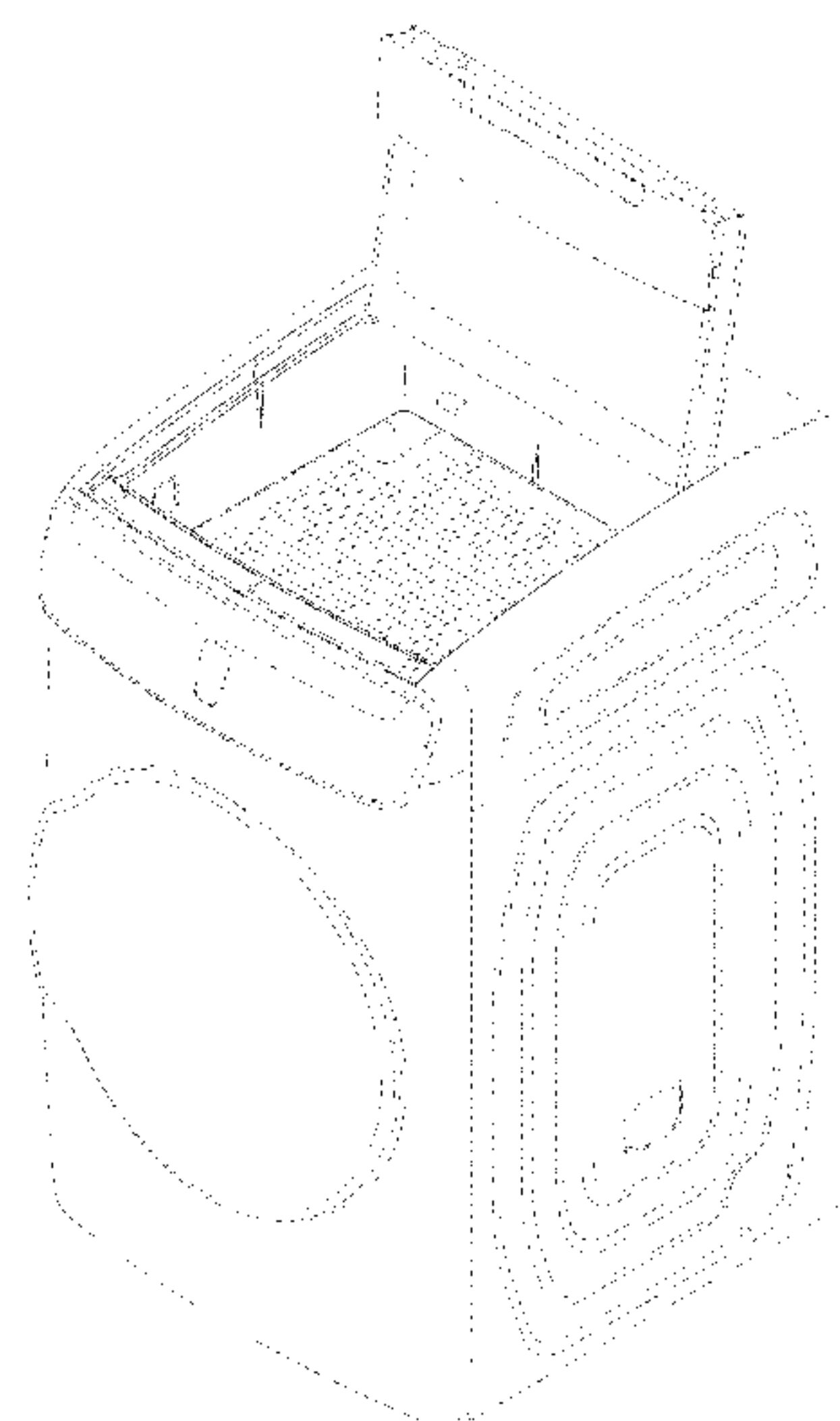
Primary Examiner — Michelle E. Wilson
(74) *Attorney, Agent, or Firm* — Cantor Colburn LLP

- (57) **CLAIM**
- The ornamental design for a dryer, as shown and described.

DESCRIPTION

FIG. 1 is a front perspective view of a dryer, showing our new design;
FIG. 2 is a front view thereof;
FIG. 3 is a rear view thereof;
FIG. 4 is a left-side view thereof;
FIG. 5 is a right-side view thereof;
FIG. 6 is a top view thereof; and,
FIG. 7 is a bottom view thereof.
The broken lines illustrating portions of the dryer form no part of the claimed design.

1 Claim, 7 Drawing Sheets



(56)

References Cited

U.S. PATENT DOCUMENTS

D571,964 S * 6/2008 Kim D32/6
D575,012 S * 8/2008 Rossetto D32/6
D575,464 S * 8/2008 Rossetto D32/8
D583,114 S 12/2008 Jeon et al.
D597,712 S * 8/2009 Jeon D32/6
D631,215 S * 1/2011 Song D32/6
D632,033 S * 2/2011 Song D32/6
D633,261 S * 2/2011 Song D32/6
D642,753 S 8/2011 Ha
D648,084 S * 11/2011 Browne D32/28
D648,085 S * 11/2011 Miller D32/28
D648,497 S * 11/2011 Bhattacharya D32/28
D654,640 S * 2/2012 Song D32/6
D658,340 S 4/2012 Jeon et al.
D661,852 S * 6/2012 Song D32/8
D663,907 S 7/2012 Jeon et al.
D663,908 S 7/2012 Jeon et al.
D664,313 S 7/2012 Chung et al.
D679,462 S * 4/2013 Zhang D32/6
D694,965 S * 12/2013 Lee D32/6
D695,474 S * 12/2013 Calmeise D32/28
D697,680 S * 1/2014 Hwang D32/25
D699,907 S * 2/2014 Choi D32/28
D701,656 S * 3/2014 Choi D32/6
D703,887 S 4/2014 Lee et al.
D705,508 S * 5/2014 Calmeise D32/28
D729,467 S 5/2015 Jee et al.
D730,597 S 5/2015 Jeon et al.
D738,582 S 9/2015 Chung et al.

* cited by examiner

FIG. 1

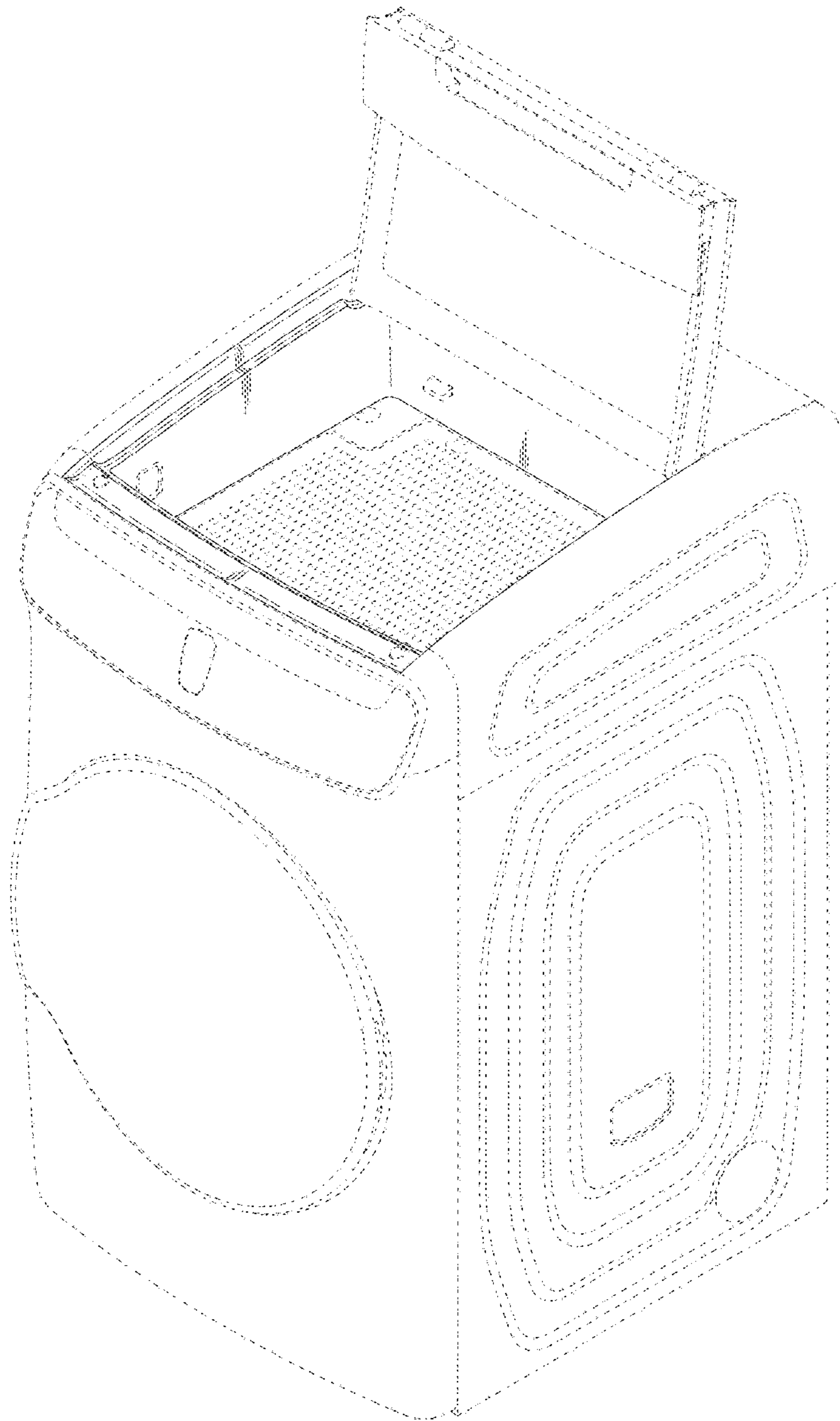


FIG. 2

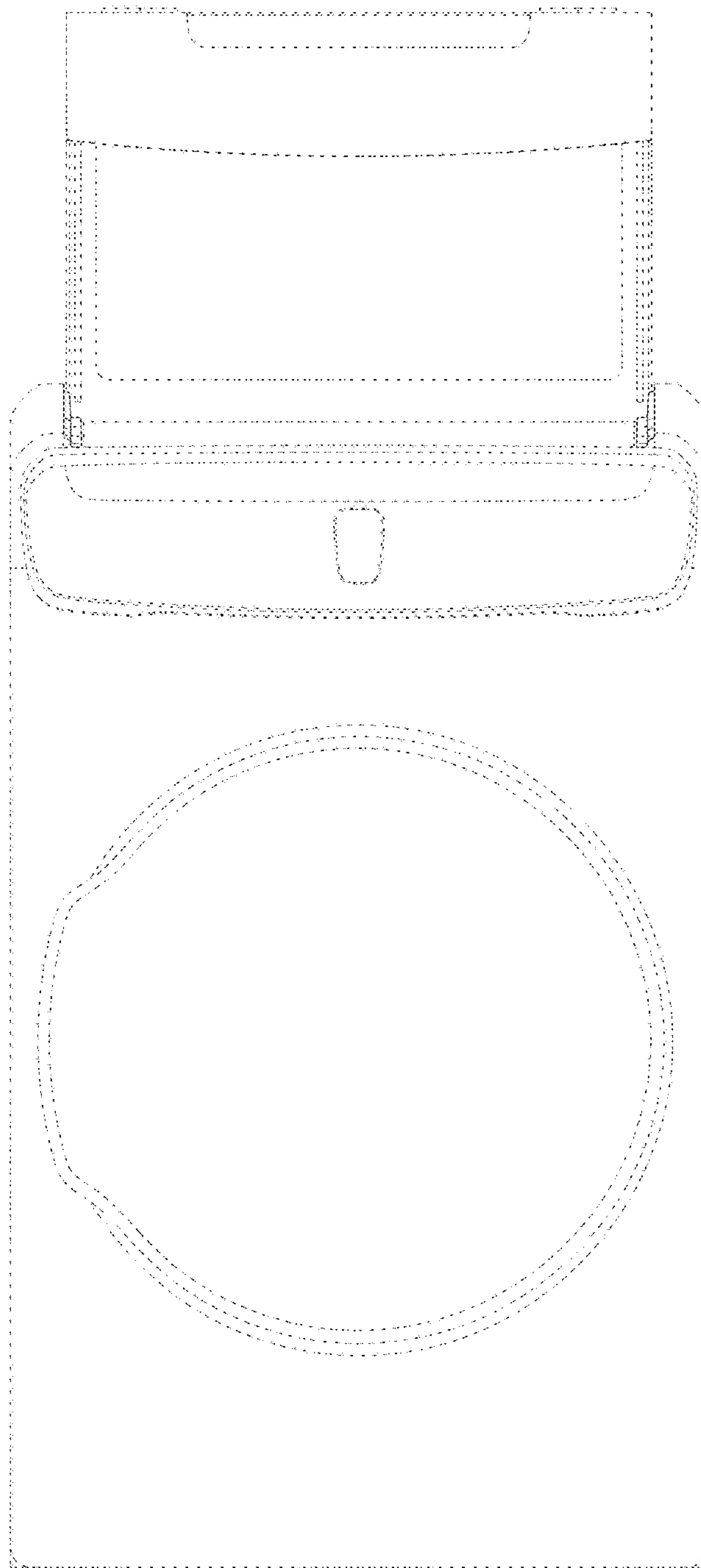


FIG. 3

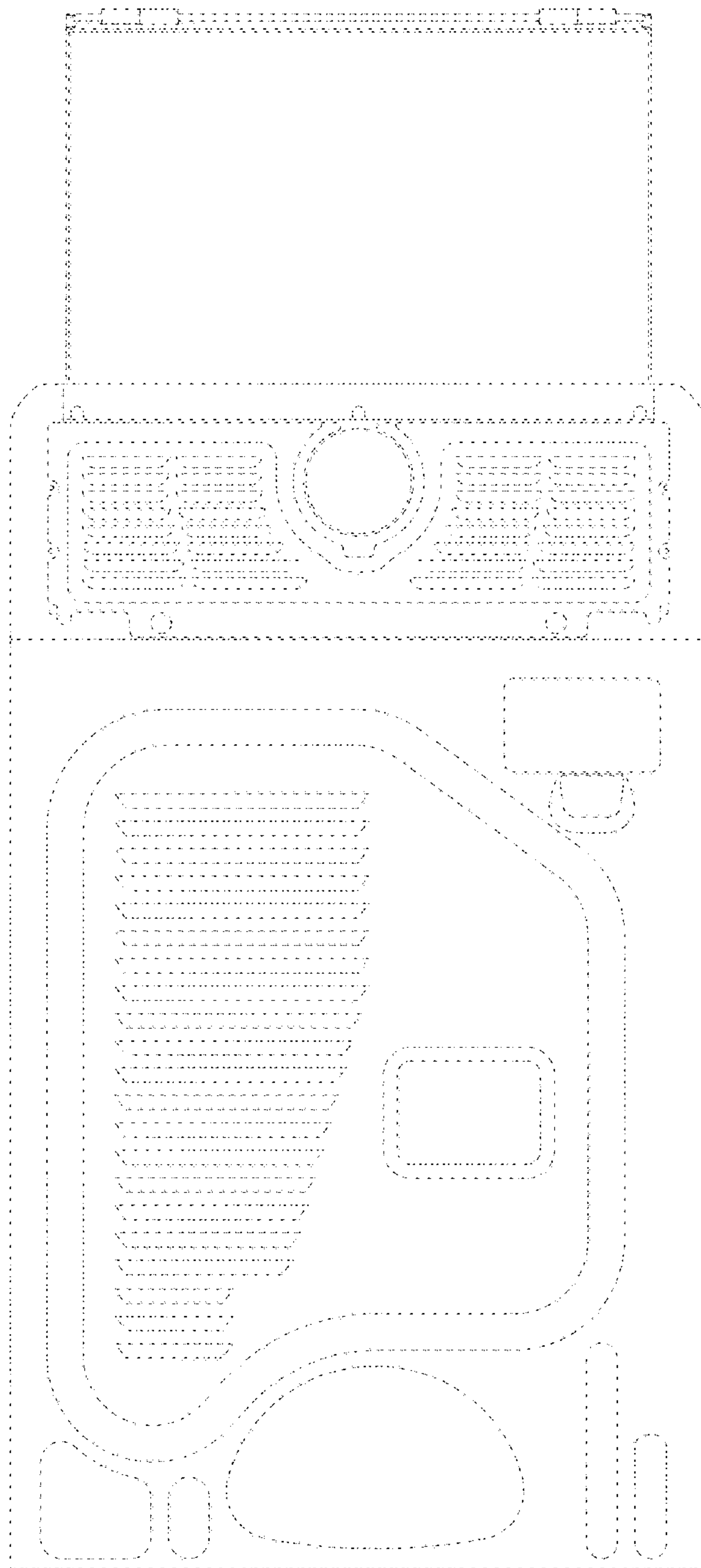


FIG. 4

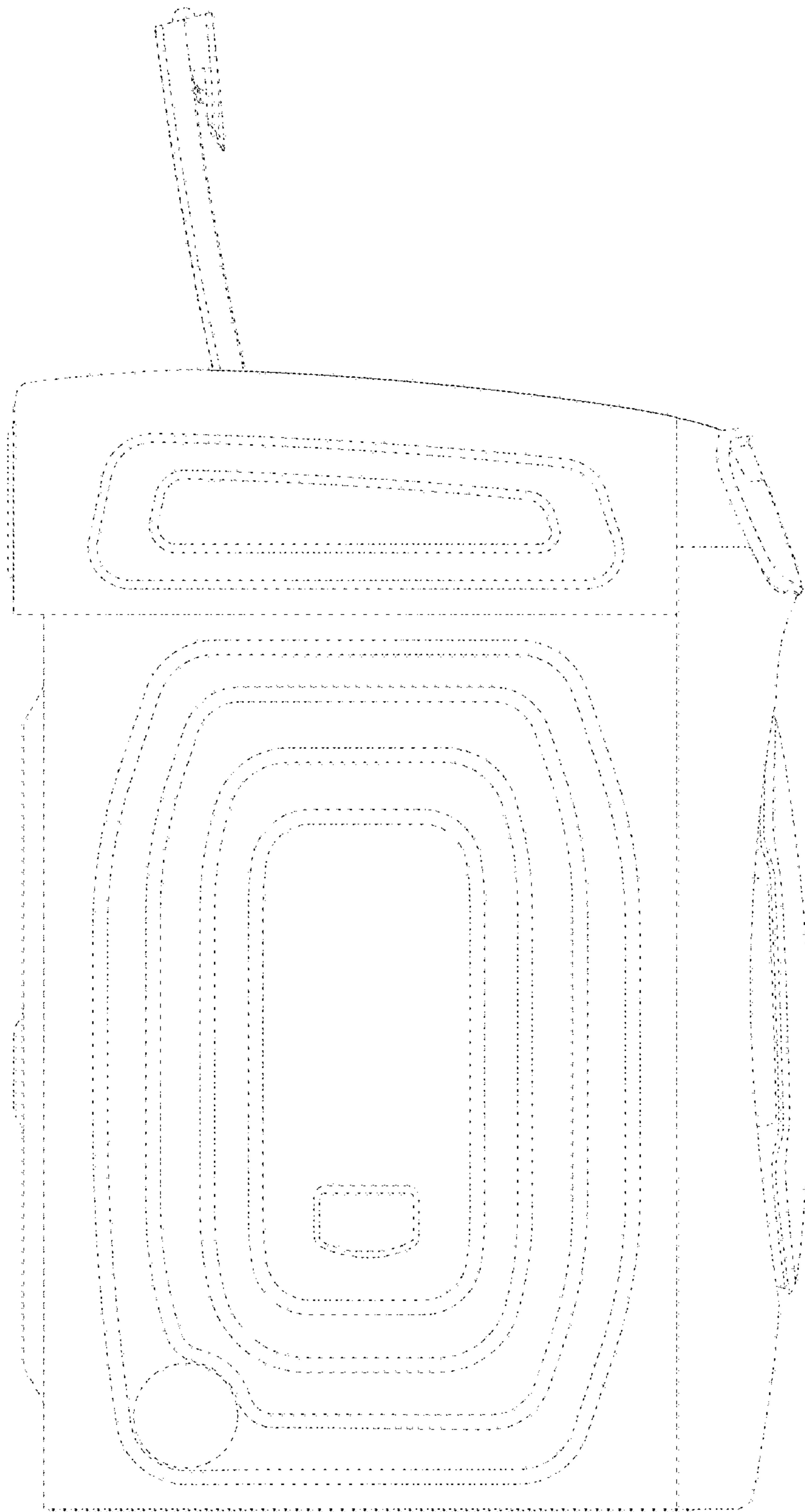


FIG. 5

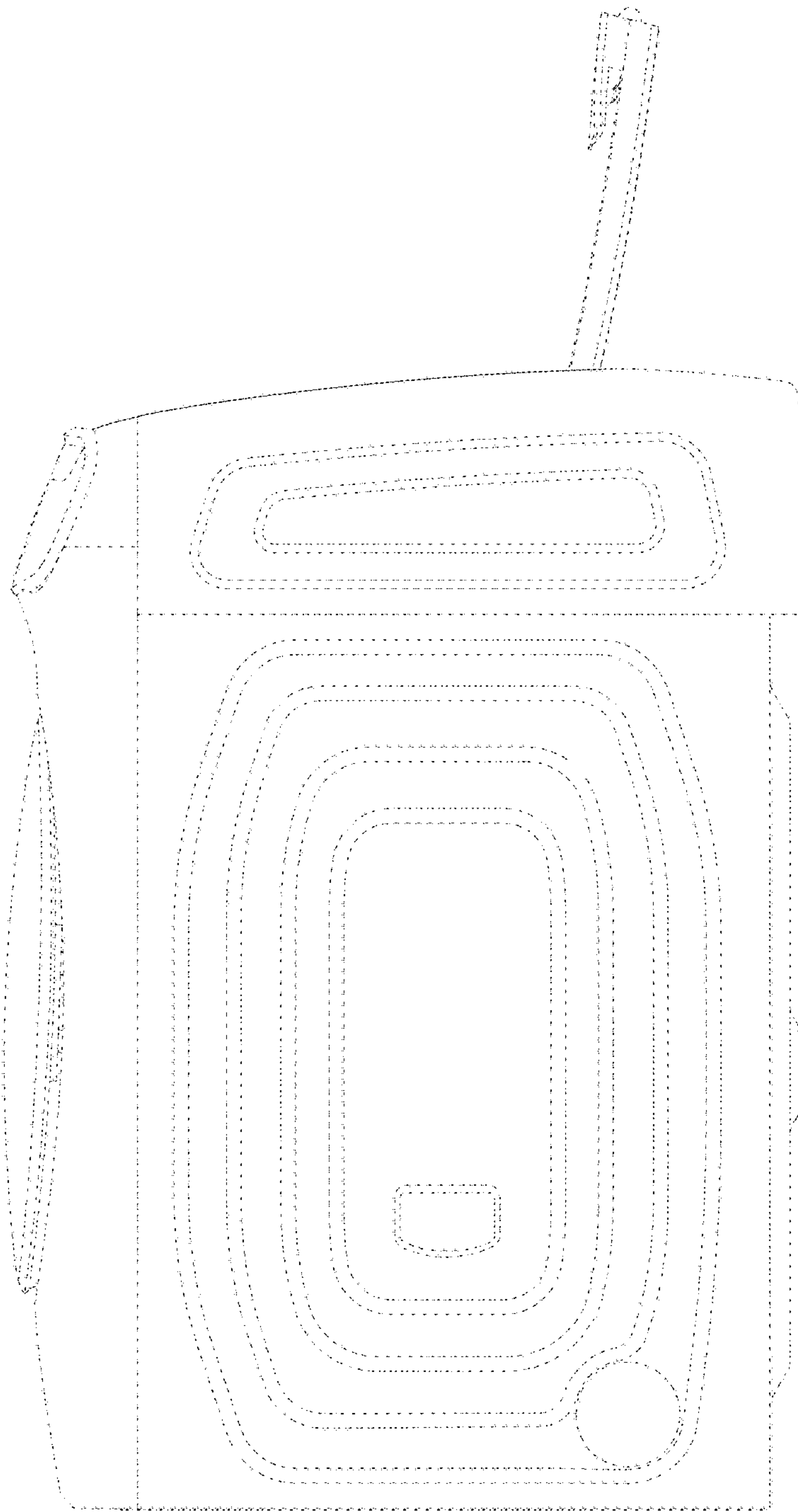


FIG. 6

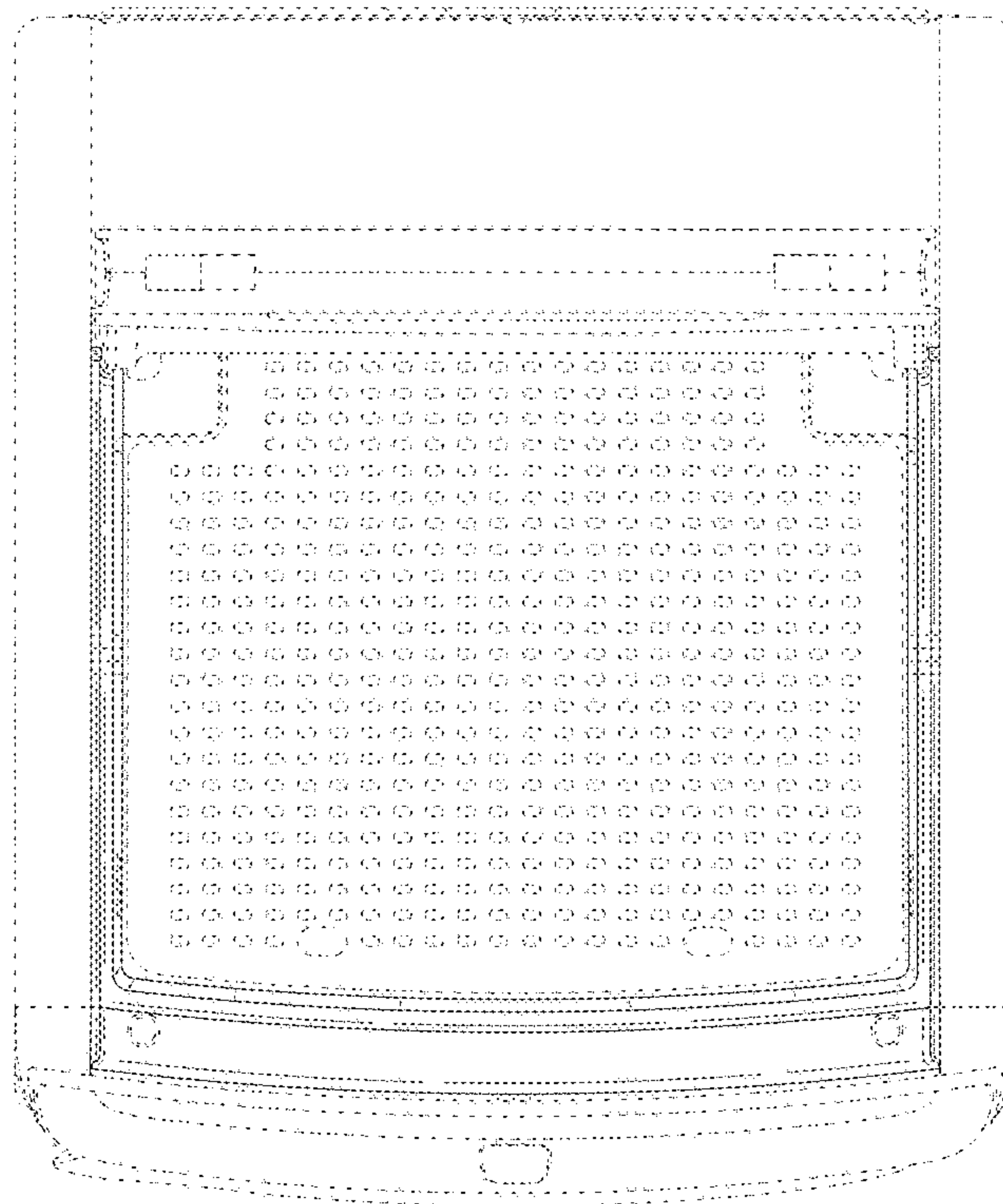


FIG. 7

