



US00D846209S

(12) **United States Design Patent**
Tong

(10) **Patent No.:** **US D846,209 S**

(45) **Date of Patent:** **** Apr. 16, 2019**

(54) **DISHWASHER**

(71) Applicant: **FOSHAN SHUNDE MIDEA WASHING APPLIANCES MFG. CO., LTD., Foshan (CN)**

(72) Inventor: **Jianfeng Tong, Foshan (CN)**

(73) Assignee: **FOSHAN SHUNDE MIDEA WASHING APPLIANCES MFG. CO., LTD., Foshan (CN)**

(**) Term: **15 Years**

(21) Appl. No.: **29/600,944**

(22) Filed: **Apr. 17, 2017**

(30) **Foreign Application Priority Data**

Jan. 16, 2017 (CN) 2017 3 0016034

(51) **LOC (11) Cl.** **15-05**

(52) **U.S. Cl.**
USPC **D32/2**

(58) **Field of Classification Search**
USPC D7/340, 348; D32/2, 6, 8, 10, 25
CPC A47L 15/22; A47L 15/449; A47L 15/4463;
A47L 15/4445; A47L 15/4295; A47L
15/0055; A47L 15/0057; A47L 2301/04;
A47L 2501/07
See application file for complete search history.

(56) **References Cited**

U.S. PATENT DOCUMENTS

D425,676 S *	5/2000	Roberts	D32/3
D480,520 S *	10/2003	Resuello	D32/3
D516,758 S *	3/2006	Kirk	D32/3
D517,252 S *	3/2006	Kirk	D32/3
D519,689 S *	4/2006	Ott	D32/3
D539,994 S *	4/2007	Pezzetta	D32/3

D540,497 S *	4/2007	Song	D32/2
D549,404 S *	8/2007	Jeon	D32/2
D558,409 S *	12/2007	Pezzetta	D32/3
D559,477 S *	1/2008	Pietruska	D32/2
D559,478 S *	1/2008	Jung	D32/2
D571,062 S *	6/2008	Suh	D32/2
D622,914 S *	8/2010	Crookshanks	D32/3
D622,915 S *	8/2010	Crookshanks	D32/3
D665,956 S *	8/2012	Eng	D32/2
D668,404 S *	10/2012	Eng	D32/3
D672,101 S *	12/2012	Eng	D32/3
D675,792 S *	2/2013	Eng	D32/3
D681,290 S *	4/2013	Eng	D32/3
D684,734 S *	6/2013	Eng	D32/3
D685,149 S *	6/2013	Eng	D32/3
D698,506 S *	1/2014	Eng	D32/3
D698,507 S *	1/2014	Eng	D32/3
D702,897 S *	4/2014	Eng	D32/3
D702,899 S *	4/2014	Eng	D32/3
D703,395 S *	4/2014	Choi	D32/2

(Continued)

Primary Examiner — Michelle E. Wilson

(74) *Attorney, Agent, or Firm* — Hodgson Russ LLP

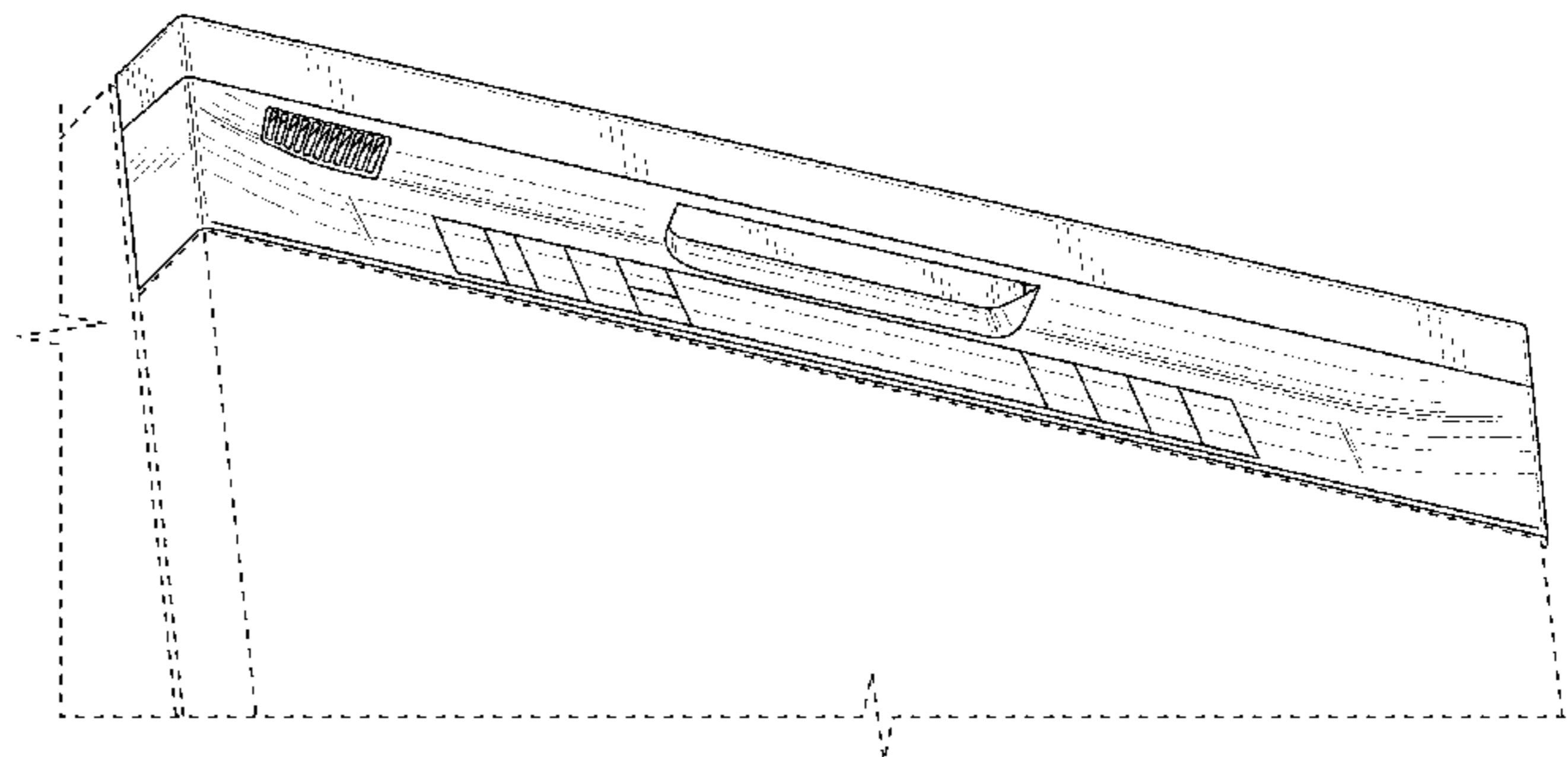
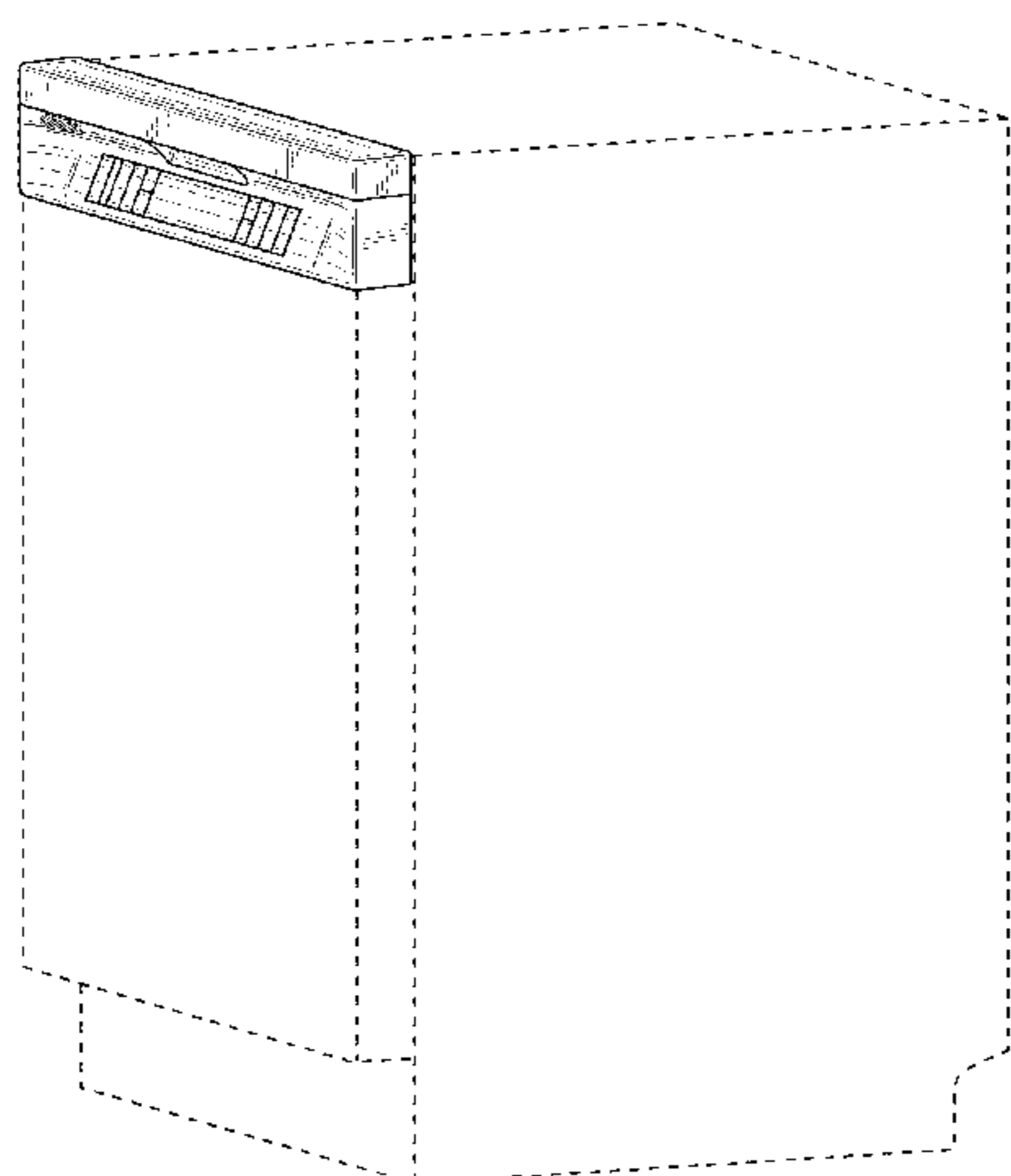
(57) **CLAIM**

The ornamental design for a dishwasher, as shown and described.

DESCRIPTION

FIG. 1 is a perspective view of a dishwasher showing my new design;
FIG. 2 is a front elevation view thereof;
FIG. 3 is a left side elevation view thereof;
FIG. 4 is a right side elevation view thereof; and
FIG. 5 is a top plan view thereof;
FIG. 6 is a rear elevation view thereof;
FIG. 7 is a bottom plan view thereof; and,
FIG. 8 is a partial enlarged bottom perspective view thereof.
The broken lines represent unclaimed features that form no part of the claimed design.

1 Claim, 8 Drawing Sheets



(56)

References Cited

U.S. PATENT DOCUMENTS

D706,502	S	*	6/2014	Eng	D32/3
D706,997	S	*	6/2014	Eng	D32/3
D720,100	S	*	12/2014	Roberson	D32/3
D729,992	S	*	5/2015	Haft	D32/3
D730,593	S	*	5/2015	Eng	D32/3
D732,758	S	*	6/2015	Roberson	D32/3
D732,759	S	*	6/2015	Roberson	D32/3
D732,761	S	*	6/2015	Roberson	D32/3
D734,902	S	*	7/2015	Eng	D32/3
D741,031	S	*	10/2015	Roberson	D32/3
D743,119	S	*	11/2015	Roberson	D32/3
D743,121	S	*	11/2015	Roberson	D32/3
D743,642	S	*	11/2015	Lee	D32/3
D745,755	S	*	12/2015	Roberson	D32/3
D746,003	S	*	12/2015	Shin	D32/2
D748,353	S	*	1/2016	Roberson	D32/3
D748,875	S	*	2/2016	Roberson	D26/42
D758,026	S	*	5/2016	Choi	D32/3
D758,679	S	*	6/2016	Yoon	D14/486
D760,452	S	*	6/2016	Roberson	D32/2
D762,334	S	*	7/2016	Kim	D32/3
D765,923	S	*	9/2016	Roberson	D32/3
D775,770	S	*	1/2017	Yoon	D32/2
D778,009	S	*	1/2017	Roberson	D32/3
D791,418	S	*	7/2017	Warren	D32/3
D801,600	S	*	10/2017	Kim	D32/2
2003/0205954	A1	*	11/2003	Oyler	A47L 15/4265 312/311
2004/0201337	A1	*	10/2004	Wuestefeld	A47L 15/4265 312/311

* cited by examiner

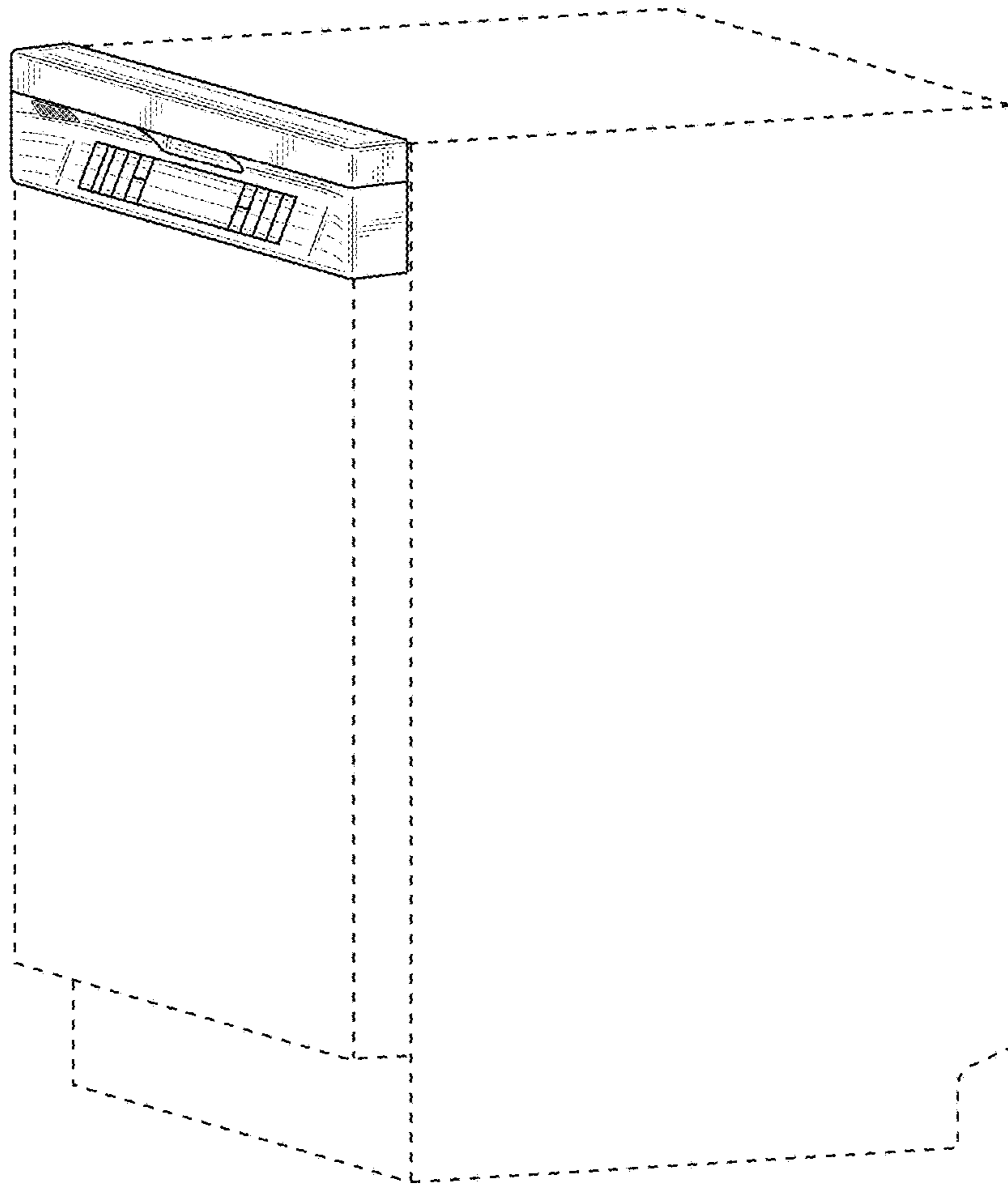


FIG. 1

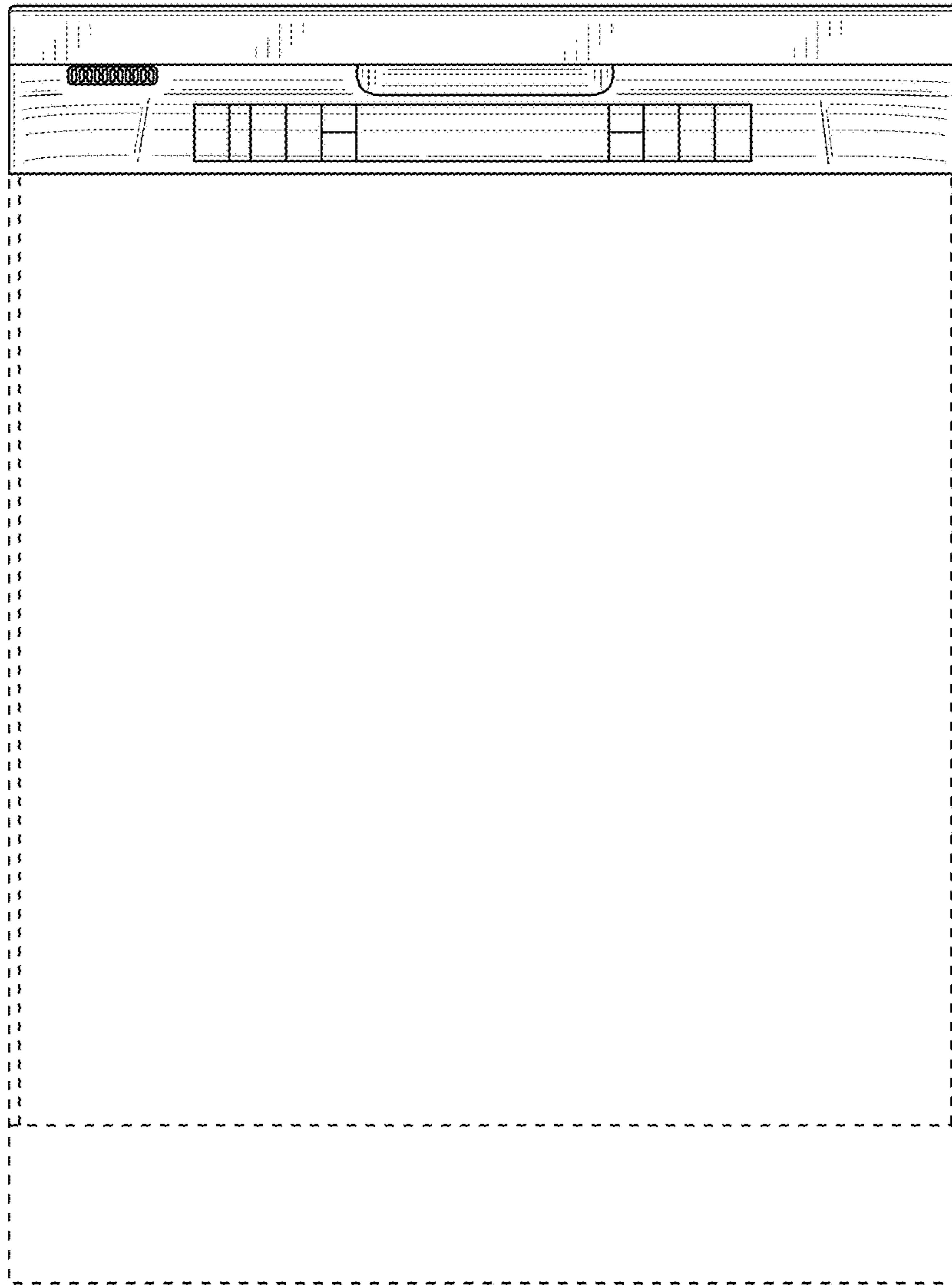


FIG. 2

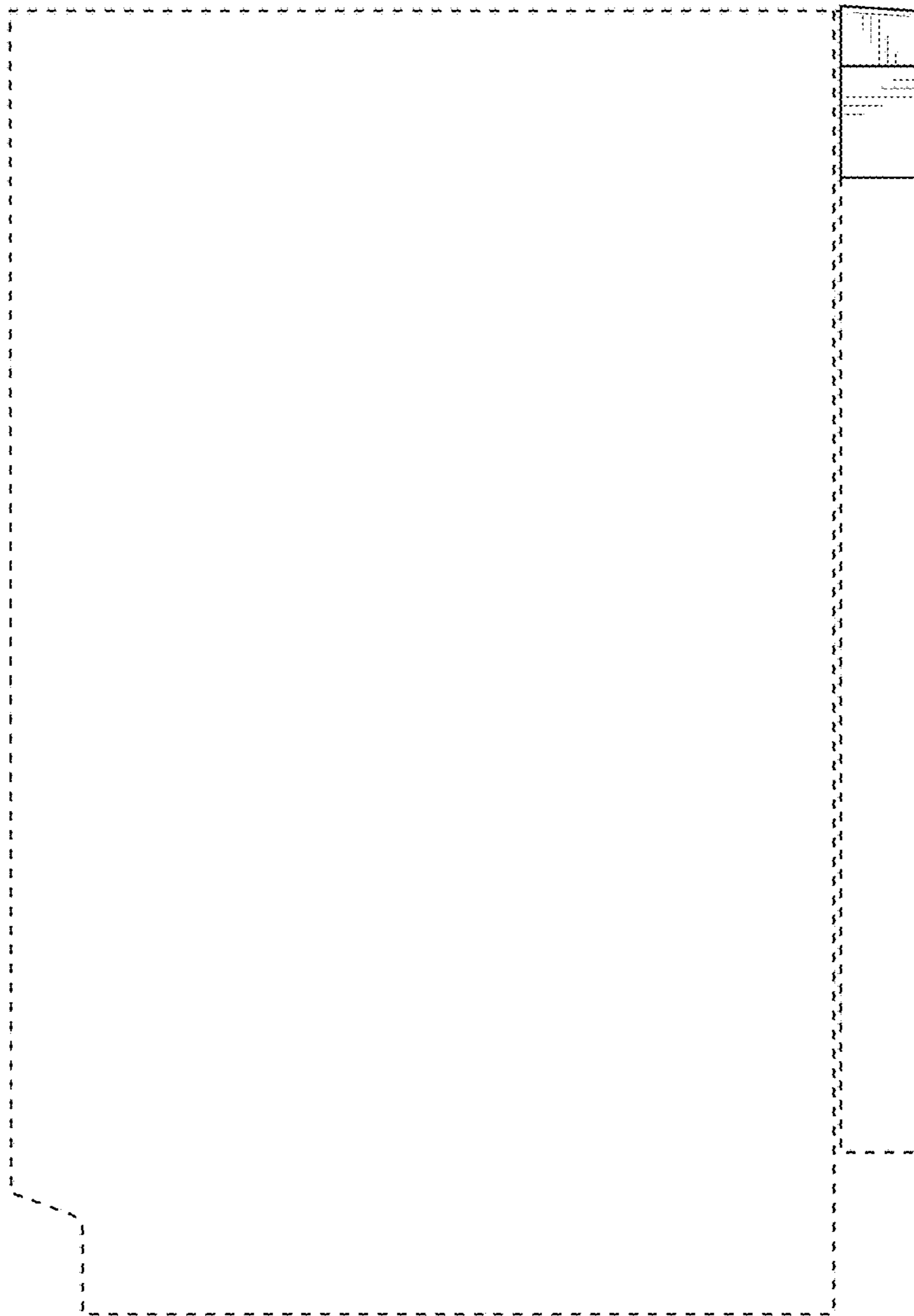


FIG. 3

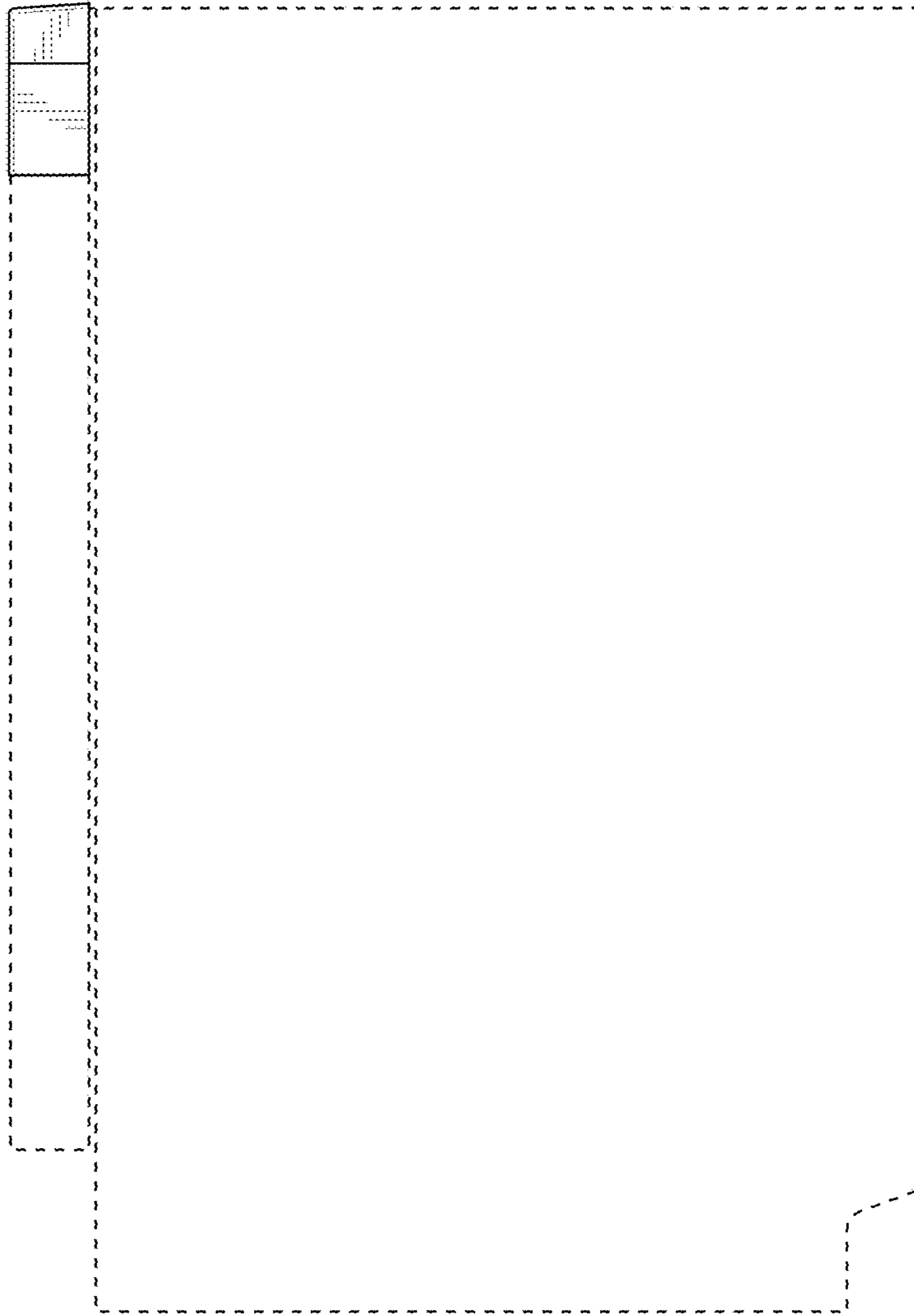


FIG. 4



FIG. 5



FIG.6

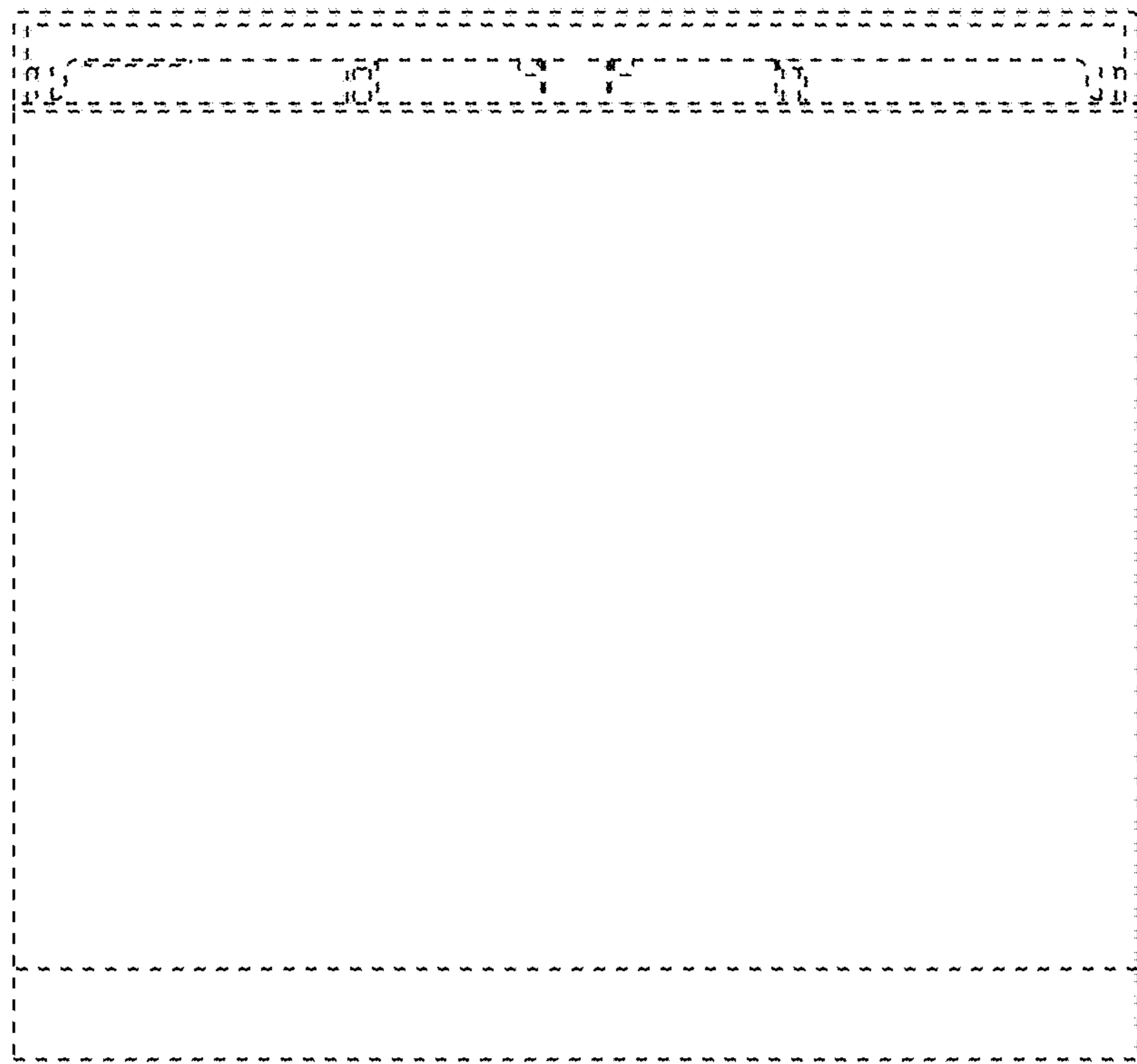


FIG. 7

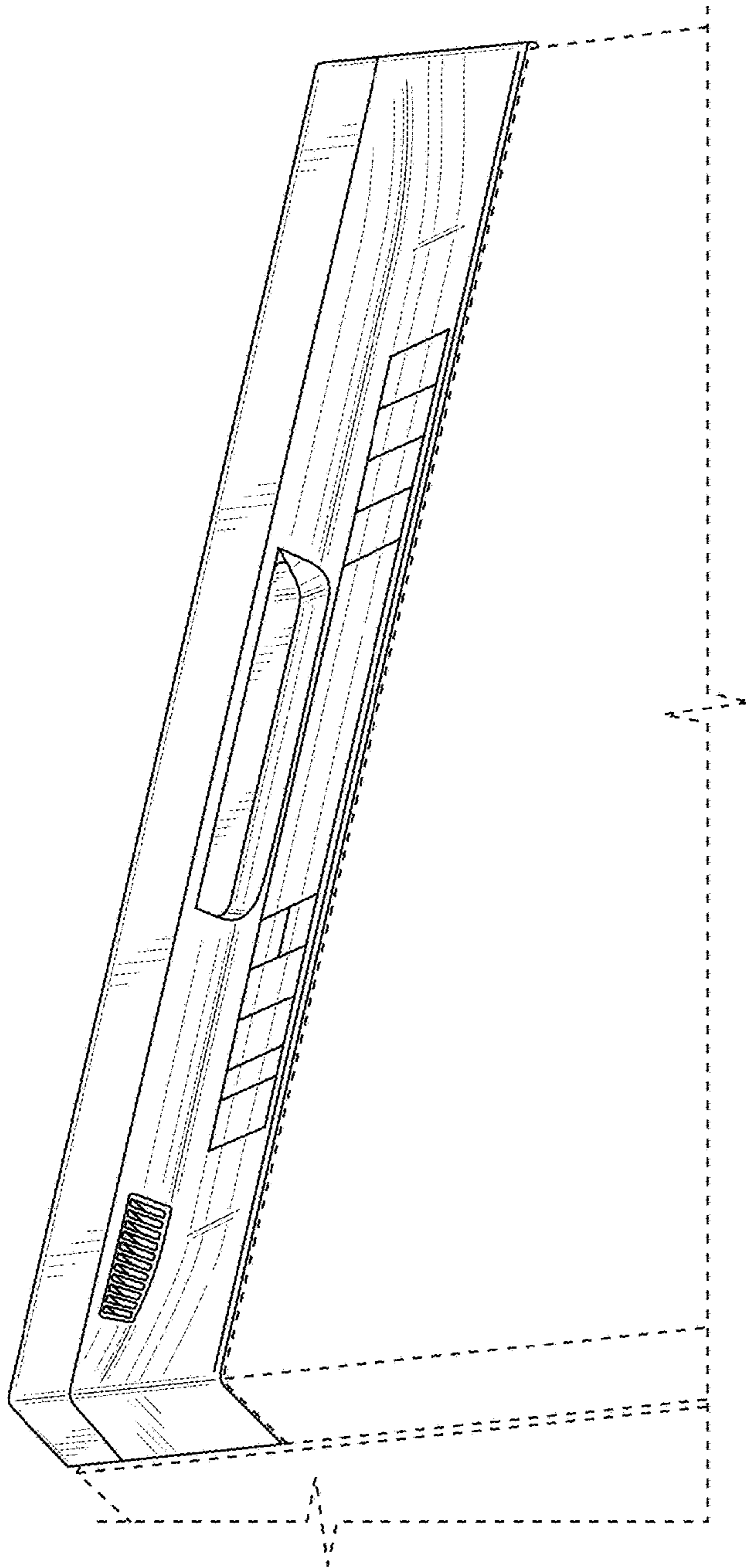


FIG.8