



US00D846208S

(12) **United States Design Patent** (10) **Patent No.:** **US D846,208 S**
Grasselli et al. (45) **Date of Patent:** **** Apr. 16, 2019**

- (54) **FABRIC CARE APPLIANCE**
- (71) Applicant: **WHIRLPOOL CORPORATION**,
Benton Harbor, MI (US)
- (72) Inventors: **Dario Grasselli**, Travedona Monate
(IT); **Chandradhar S. Rathore**,
Haryana (IN)
- (73) Assignee: **Whirlpool Corporation**, Benton
Harbor, MI (US)
- (**) Term: **15 Years**
- (21) Appl. No.: **29/622,899**
- (22) Filed: **Oct. 20, 2017**

D541,492 S *	4/2007	Nam	D32/6
D543,322 S *	5/2007	Usui	D32/6
D554,306 S *	10/2007	Nam	D32/6
D585,164 S	1/2009	Kosukegawa et al.		
D682,492 S	5/2013	Chung et al.		
D683,088 S	5/2013	Chung et al.		
D690,061 S	9/2013	Kim		
D712,603 S	9/2014	Geyer		
D771,329 S	11/2016	Fugelein et al.		
D773,756 S	12/2016	Hwang et al.		
D773,757 S	12/2016	Hwang et al.		
D780,386 S	2/2017	Lee		
D781,004 S	3/2017	Lee		
D781,007 S	3/2017	Jang et al.		
D804,113 S *	11/2017	Grasselli	D32/1
D820,539 S *	6/2018	Grasselli	D32/1
2009/0133198 A1 *	5/2009	Lee	D06F 29/00 8/158

(Continued)

Related U.S. Application Data

- (62) Division of application No. 29/560,924, filed on Apr. 12, 2016, now Pat. No. Des. 804,113.
- (51) **LOC (11) Cl.** **15-05**
- (52) **U.S. Cl.**
USPC **D32/1**
- (58) **Field of Classification Search**
USPC D32/1, 6, 8, 5, 10, 26, 29.1; 68/27, 11,
68/38, 20, 3 R
CPC D06F 23/00; D06F 23/02; D06F 23/025;
D06F 23/06; D06F 25/00; D06F 27/00;
D06F 37/00; D06F 37/02; D06F 37/04;
D06F 37/06; D06F 37/065; D06F 37/08;
D06F 37/10; D06F 37/12
See application file for complete search history.

References Cited

U.S. PATENT DOCUMENTS

D496,513 S *	9/2004	Tsuda	D32/8
D515,256 S	2/2006	Tsuda et al.		
D517,254 S	3/2006	Geyer		

Primary Examiner — Susan Bennett Hattan

Assistant Examiner — Rebecca Tsehaye

(74) *Attorney, Agent, or Firm* — Price Heneveld LLP

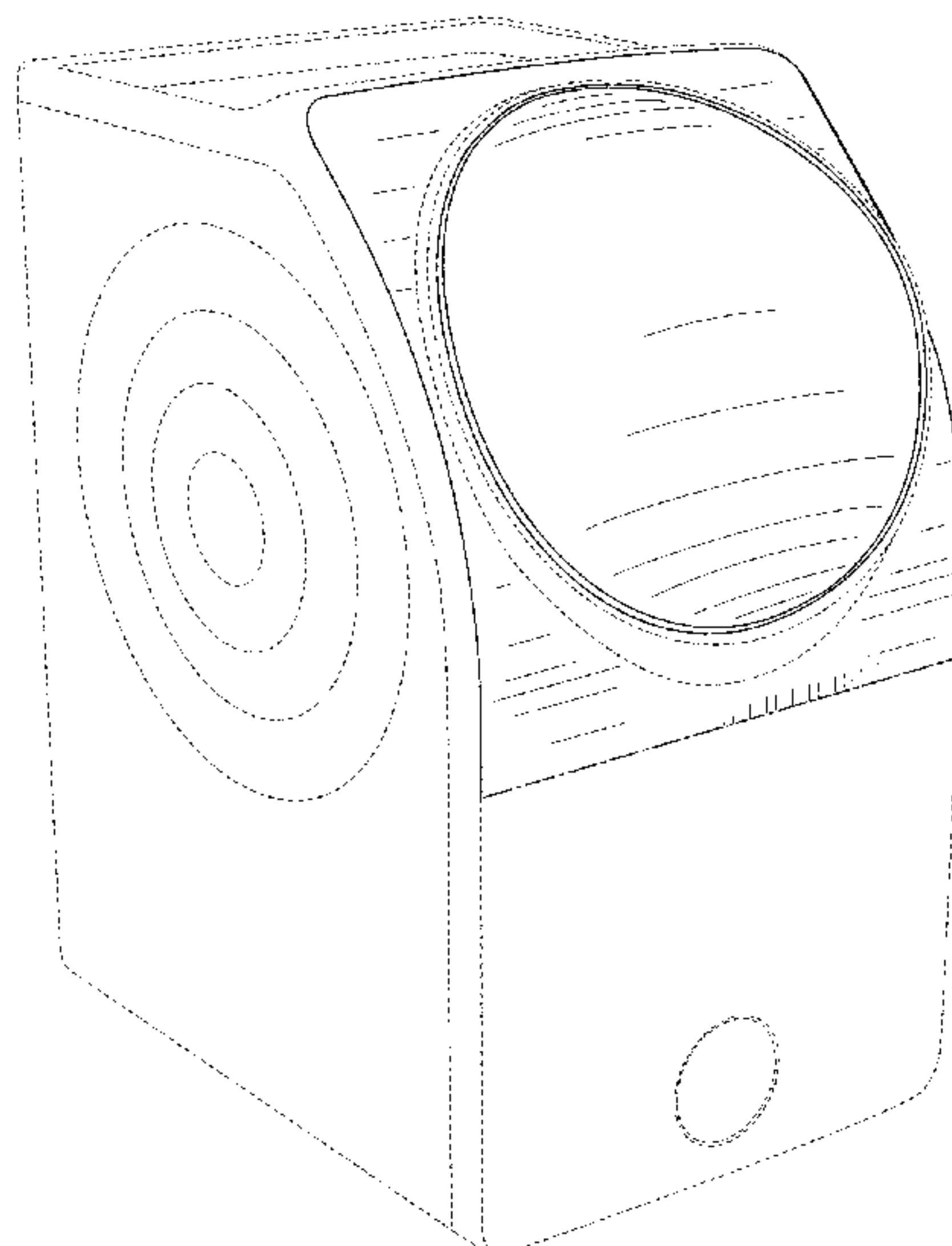
(57) **CLAIM**

The ornamental design for a fabric care appliance, as shown and described.

DESCRIPTION

FIG. 1 is a front perspective view of a fabric care appliance according to our design;
 FIG. 2 is a front elevation view thereof, a rear elevation view forming no part of the claimed design;
 FIG. 3 is a right side elevation view thereof, a left side elevation view being a mirror image thereof; and,
 FIG. 4 is a top plan view thereof, a bottom plan view forming no part of the claimed design.
 The broken lines illustrate portions of the fabric care appliance that form no part of the claimed design.
 Dash-dot lines adjacent un-shaded areas represent bounds of the claimed design and form no part of the claimed design.

1 Claim, 4 Drawing Sheets



(56)

References Cited

U.S. PATENT DOCUMENTS

2012/0067088 A1* 3/2012 Hong D06F 37/02
68/140
2013/0334939 A1* 12/2013 Lee F26B 21/003
312/228
2014/0338218 A1* 11/2014 Contarini D06F 39/02
34/493
2017/0121887 A1* 5/2017 Hwang D06F 37/30
2017/0139490 A1* 5/2017 Morandini G06F 3/0363
2017/0183803 A1* 6/2017 Kim D06F 37/28
2017/0191201 A1* 7/2017 Ku D06F 25/00
2017/0191211 A1* 7/2017 Kim D06F 25/00
2017/0218556 A1* 8/2017 Huang D06F 33/02

* cited by examiner

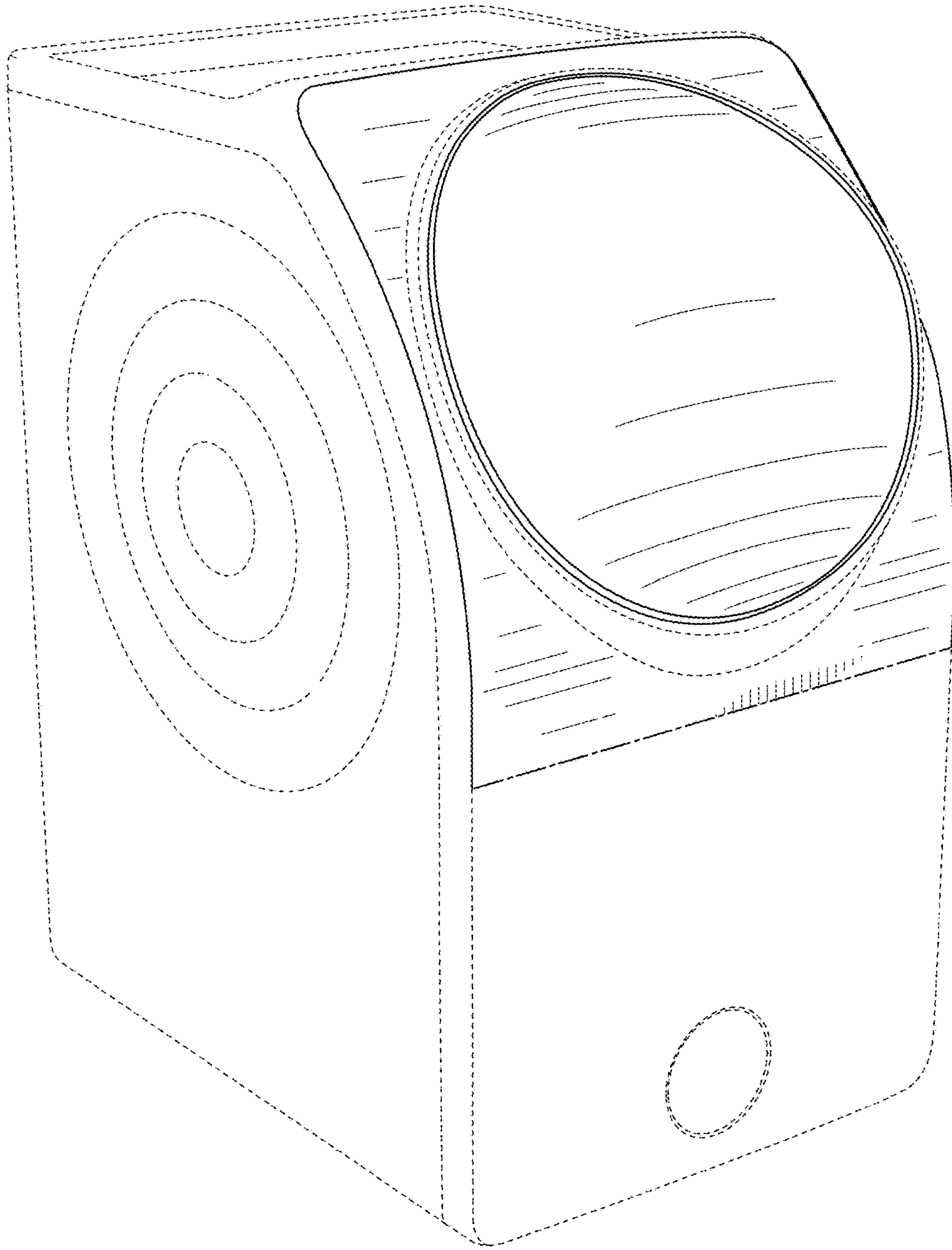


FIG. 1

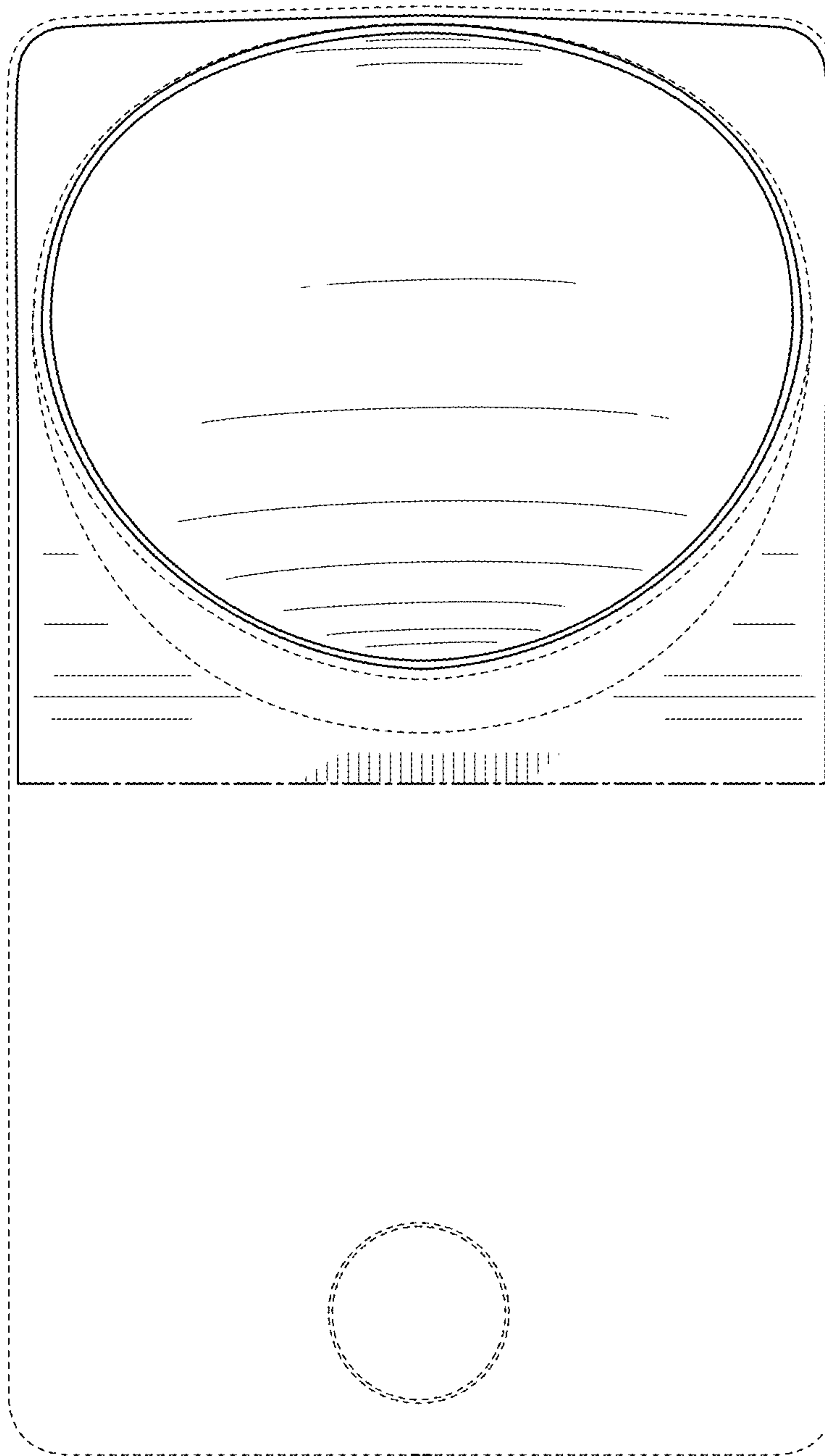


FIG. 2

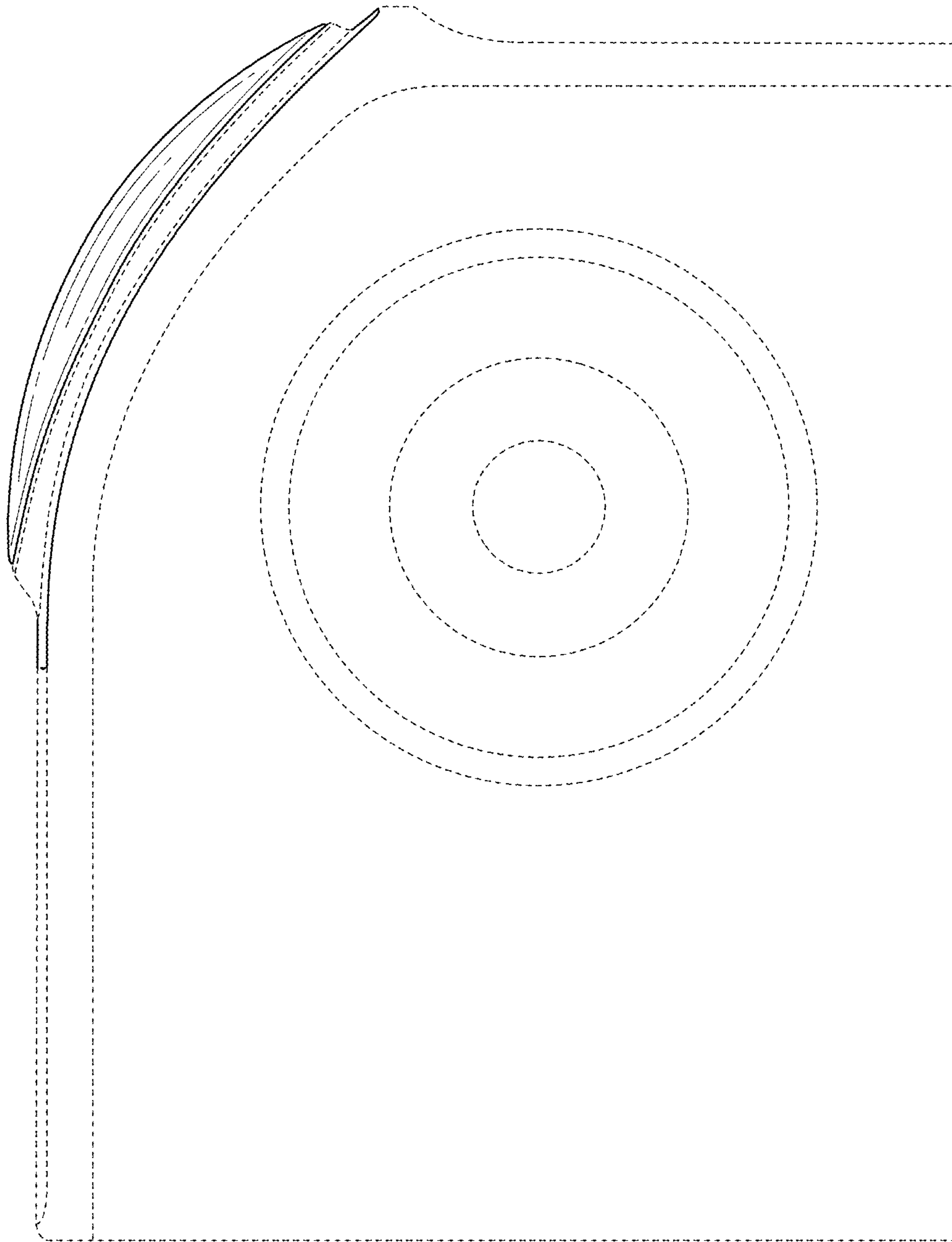


FIG. 3

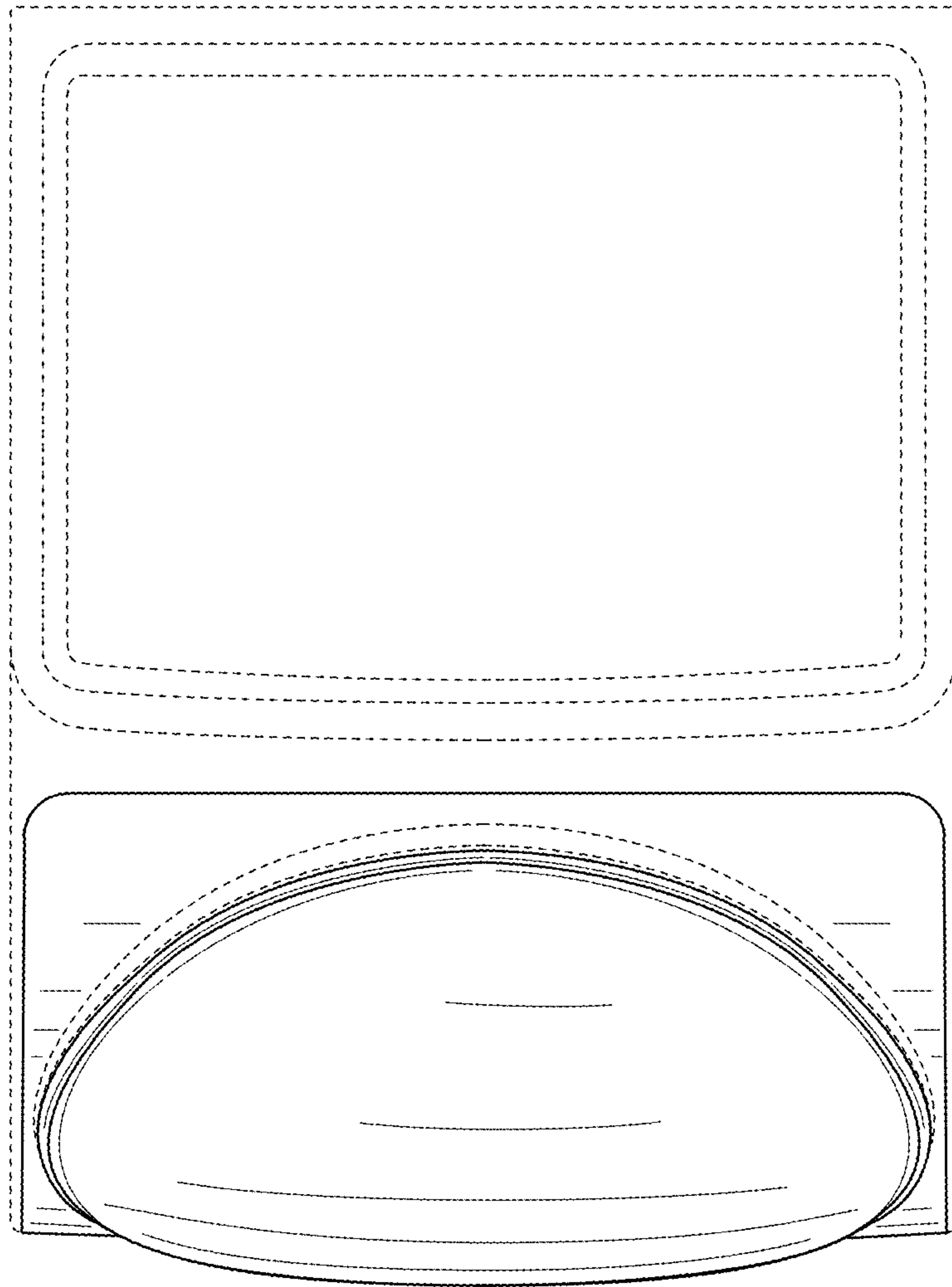


FIG. 4