



US00D846207S

(12) **United States Design Patent** (10) **Patent No.:** **US D846,207 S**
Baker (45) **Date of Patent:** **** Apr. 16, 2019**

- (54) **LITTER PAN**
- (71) Applicant: **Doskocil Manufacturing Company, Inc., Arlington, TX (US)**
- (72) Inventor: **Nicholas Baker, Fort Worth, TX (US)**
- (73) Assignee: **DOSKOCIL MANUFACTURING COMPANY, INC., Arlington, TX (US)**
- (**) Term: **15 Years**
- (21) Appl. No.: **29/611,317**
- (22) Filed: **Jul. 20, 2017**
- (51) **LOC (11) Cl.** **30-99**
- (52) **U.S. Cl.**
USPC **D30/161**
- (58) **Field of Classification Search**
USPC D30/108-120, 121, 129, 132, 133, 161, D30/162, 199; D3/304, 314; D6/457, D6/475; 119/28.5, 161, 163, 165, 166, 119/167, 168, 169, 170, 452, 453, 482, 119/496, 498, 499, 702, 707; 206/23, 206/203
CPC A01K 1/0353; A01K 1/011; A01K 1/0114; A01K 1/0107
See application file for complete search history.

- (56) **References Cited**
U.S. PATENT DOCUMENTS
3,924,572 A * 12/1975 Classe A01K 1/031 119/453
D340,761 S * 10/1993 Long D23/206
5,311,837 A * 5/1994 Manner-Boellstorff A01K 1/0353 119/28.5
D517,264 S * 3/2006 Wheeler D32/37
D526,851 S * 8/2006 Groff D7/552.1
D581,604 S * 11/2008 Ragonetti D30/129

- D630,899 S * 1/2011 Samartgis D7/602
- D636,545 S * 4/2011 Lawson D30/161
- D659,296 S * 5/2012 Anderson D30/129
- D677,991 S * 3/2013 Chan D7/500
- D732,827 S * 6/2015 Suomela D3/304
- D746,593 S * 1/2016 Kroll D3/307
- D770,771 S * 11/2016 Lisso D3/304
- D771,878 S * 11/2016 Zhang D30/129
- D772,575 S * 11/2016 Stelmarski D3/304
- D775,831 S * 1/2017 Duvigneau D3/304
- D782,756 S * 3/2017 Veness D30/161
- D795,583 S * 8/2017 Diehl D3/307
- D809,797 S * 2/2018 Kraemer D3/307
- 2006/0052024 A1 * 3/2006 Shibata D04H 1/425 442/389
- 2009/0260578 A1 * 10/2009 Yamamoto A01K 1/0114 119/166
- 2017/0049071 A1 * 2/2017 Brown A01K 1/0154

* cited by examiner

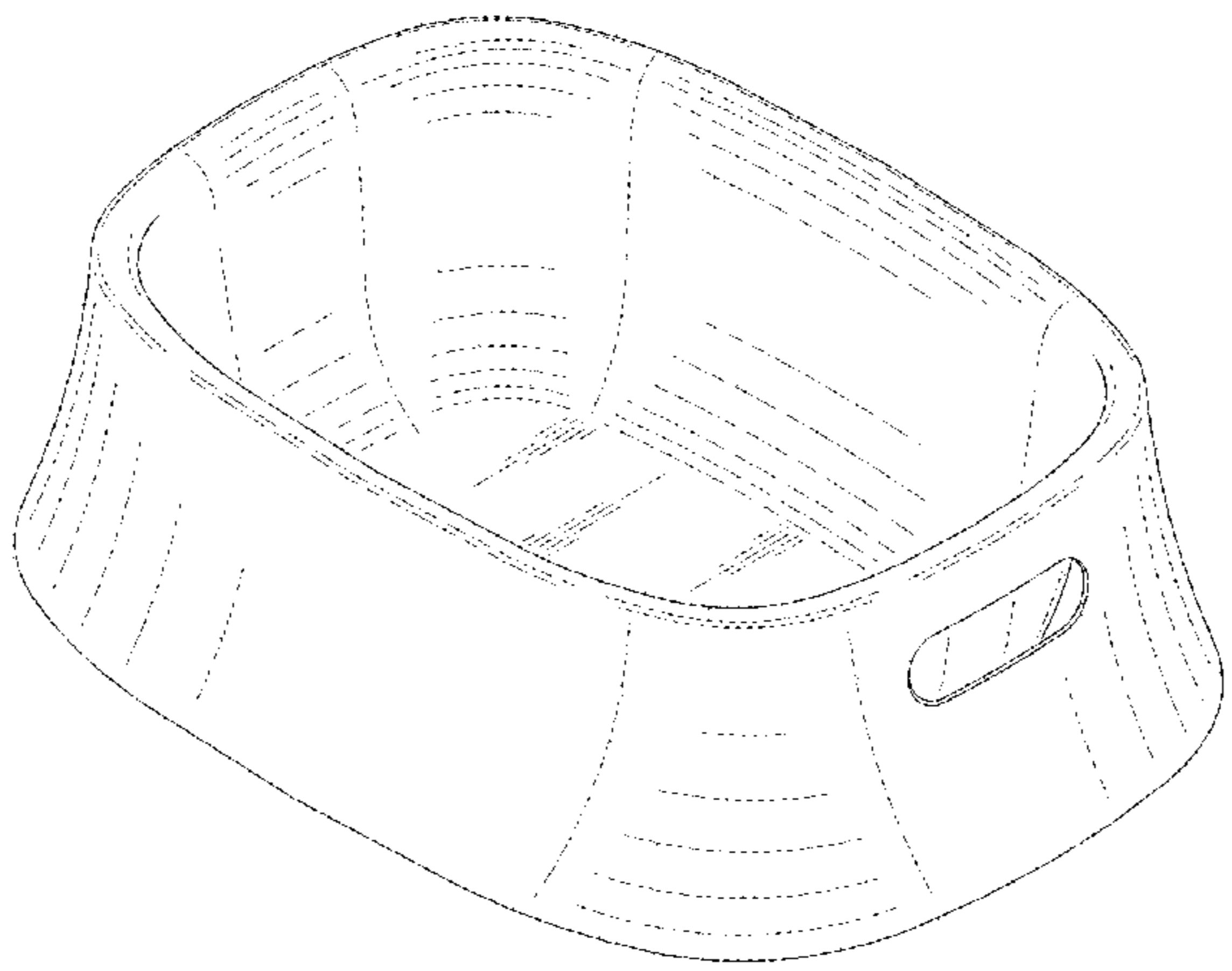
Primary Examiner — Barbara Fox
Assistant Examiner — Mehri F Bajoul
(74) *Attorney, Agent, or Firm* — Global IP Counselors, LLP

(57) **CLAIM**
The ornamental design for a litter pan, as shown and described.

DESCRIPTION

FIG. 1 is a front perspective view of a litter pan in accordance with my new design;
FIG. 2 is a front view thereof;
FIG. 3 is a back view thereof;
FIG. 4 is a right side view thereof;
FIG. 5 is a left side view thereof;
FIG. 6 is a top view thereof; and,
FIG. 7 is a bottom view thereof.
The broken lines shown in the drawings depict portions of the litter pan that form no part of the claimed design.

1 Claim, 7 Drawing Sheets



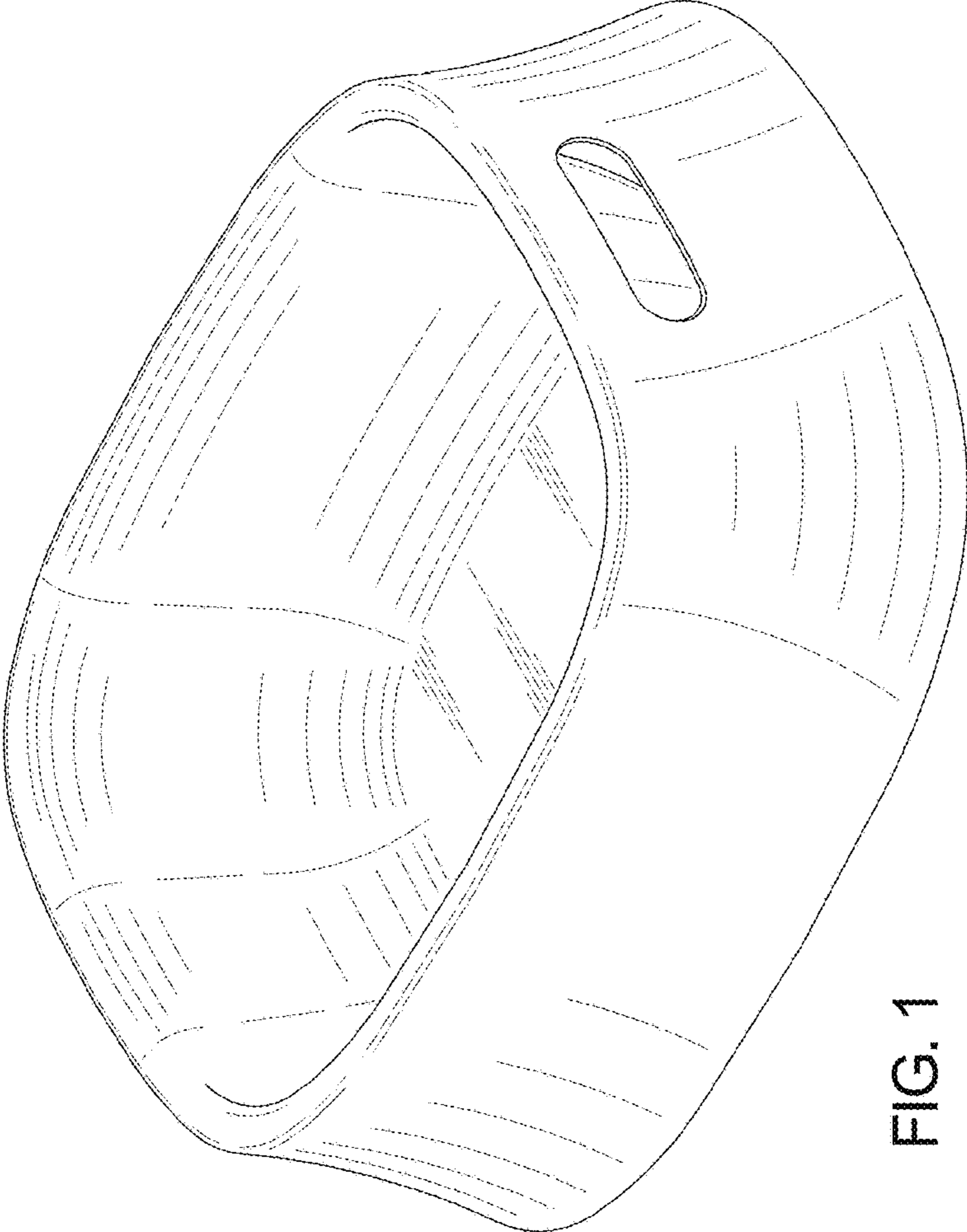


FIG. 1

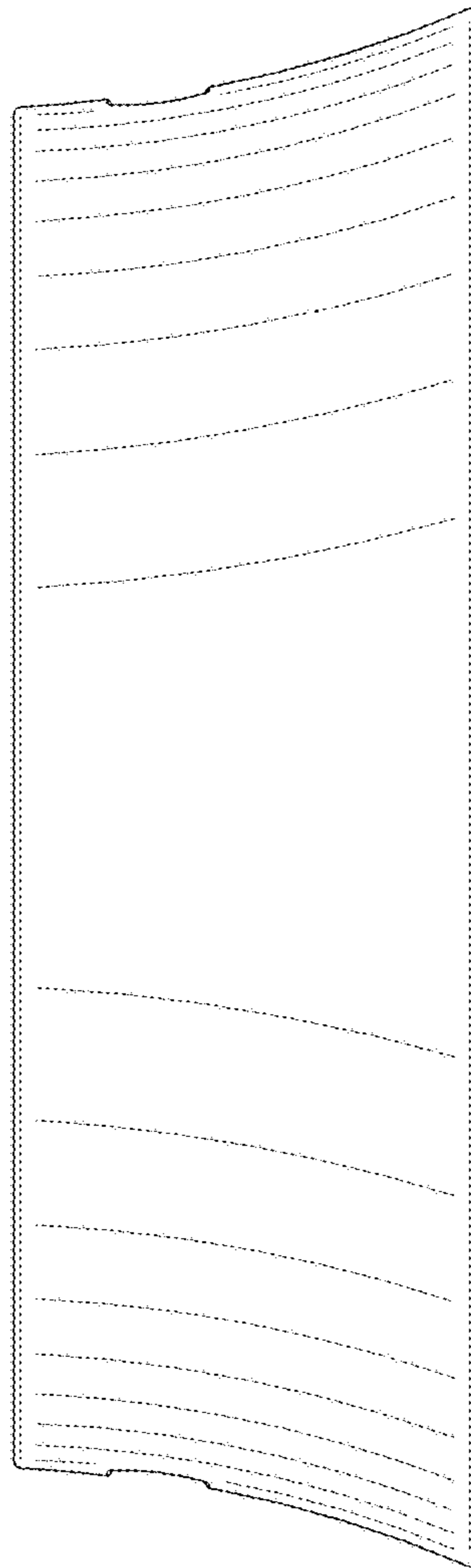


FIG. 2

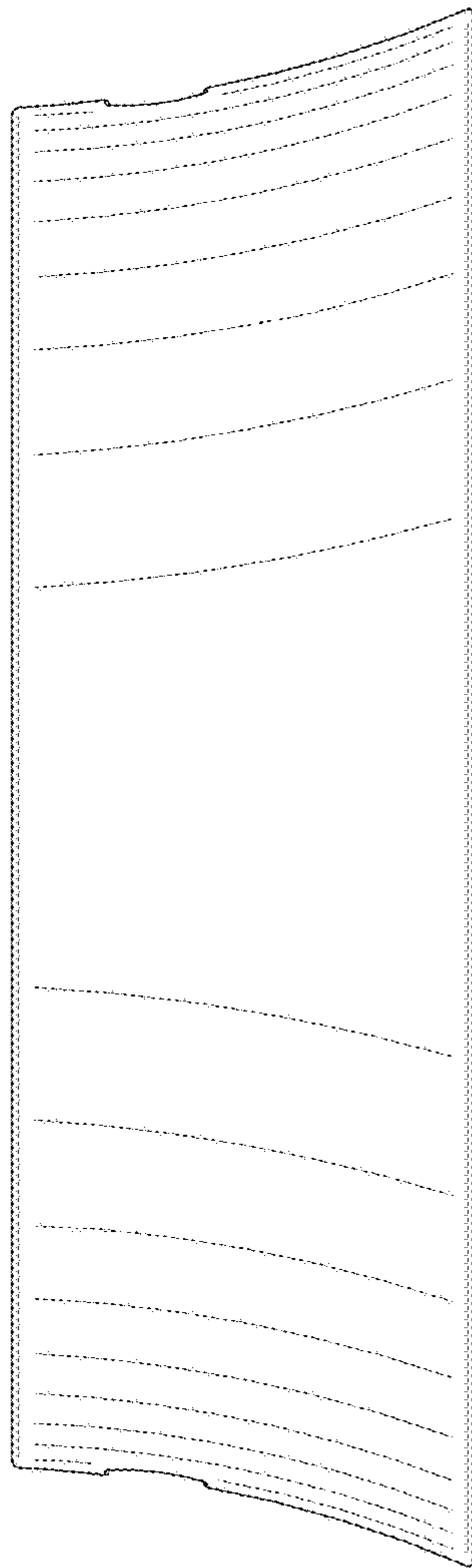


FIG. 3

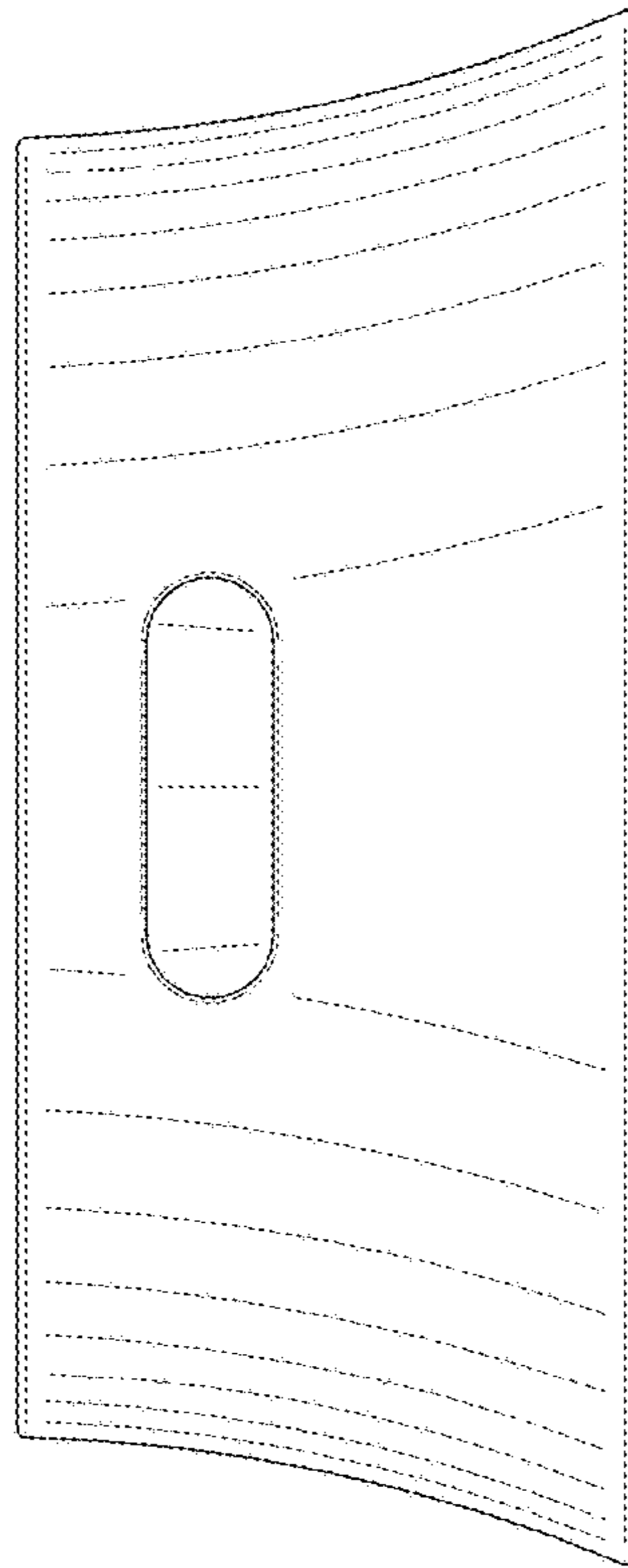


FIG. 4

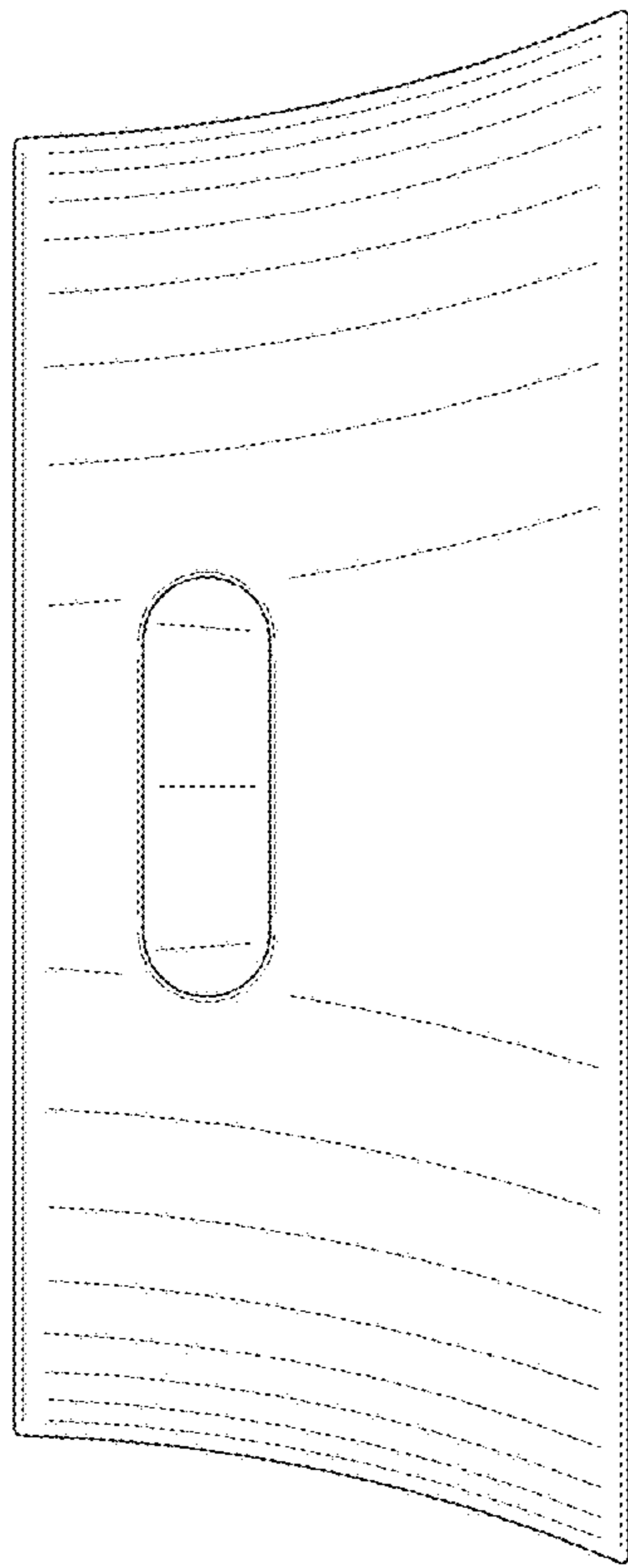


FIG. 5

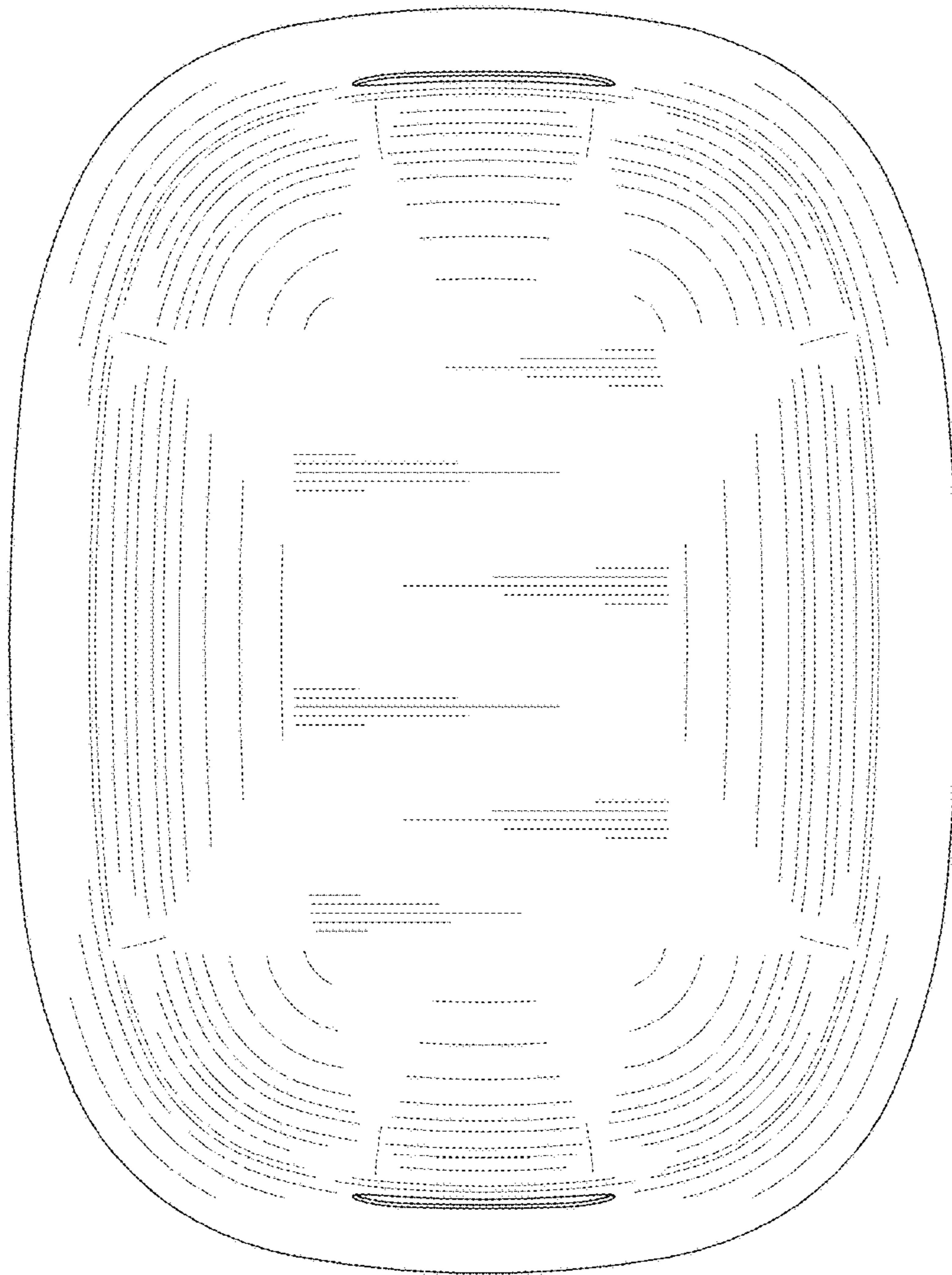


FIG. 6

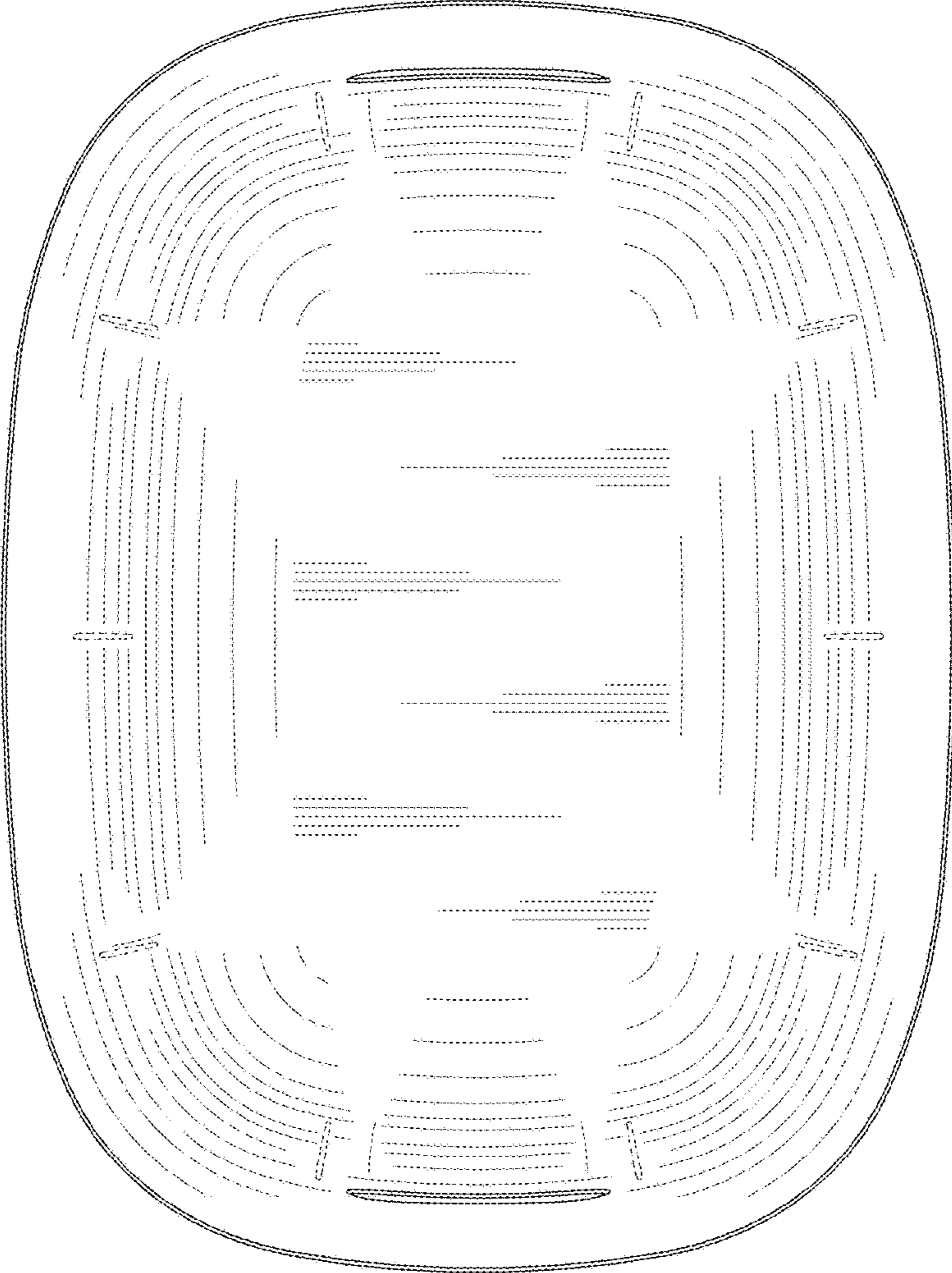


FIG. 7