



US00D846206S

(12) **United States Design Patent** (10) **Patent No.:** **US D846,206 S**  
**He** (45) **Date of Patent:** **\*\* Apr. 16, 2019**

(54) **CAT CRAWLING FRAME** 5,577,465 A \* 11/1996 Cook ..... A01K 1/033  
119/28.5  
(71) Applicant: **Hangzhou Petsbelle Product Co.,** D398,087 S \* 9/1998 Pritzker ..... D30/118  
**Ltd., Zhejiang (CN)** D422,754 S \* 4/2000 Kolozsvari ..... D30/118  
8,020,518 B1 \* 9/2011 Reinke ..... A01K 15/025  
119/482  
(72) Inventor: **Haijiao He, Zhejiang (CN)** D665,540 S \* 8/2012 Kilroy ..... A01K 63/003  
D30/104  
(\*\*) Term: **15 Years** D774,707 S \* 12/2016 Kellogg ..... D30/160  
2003/0221628 A1 \* 12/2003 Leon ..... A01K 15/024  
119/28.5  
(21) Appl. No.: **29/603,602** 2005/0284407 A1 \* 12/2005 DeRaspe-Bolles .....  
A01K 15/024  
(22) Filed: **May 11, 2017** 119/706  
(30) **Foreign Application Priority Data** 2011/0155073 A1 \* 6/2011 Kilroy ..... A01K 15/024  
119/247

Nov. 28, 2016 (CN) ..... 2016 3 0579490

(51) **LOC (11) Cl.** ..... **30-99**  
(52) **U.S. Cl.**  
USPC ..... **D30/160**  
(58) **Field of Classification Search**  
USPC ..... D30/104, 108, 112-120, 124, 158, 160,  
D30/161; 119/28.5, 452, 453, 482, 498,  
119/499, 702, 708  
CPC ..... A01K 1/033  
See application file for complete search history.

(56) **References Cited**

**U.S. PATENT DOCUMENTS**

3,581,707 A \* 6/1971 Cook ..... A01K 15/024  
119/482  
D223,760 S \* 6/1972 Shirley ..... D30/108  
D261,186 S \* 10/1981 Michalski ..... D30/158  
D290,767 S \* 7/1987 Duffek ..... D30/108  
D344,773 S \* 3/1994 Aker ..... D21/818  
D349,590 S \* 8/1994 Berger ..... D30/108  
5,465,682 A \* 11/1995 Chavallo, Jr. .... A01K 1/033  
119/498

\* cited by examiner

*Primary Examiner* — Barbara Fox  
*Assistant Examiner* — Mehri F Bajoul  
(74) *Attorney, Agent, or Firm* — Prakash Nama; Global  
IP Services, PLLC

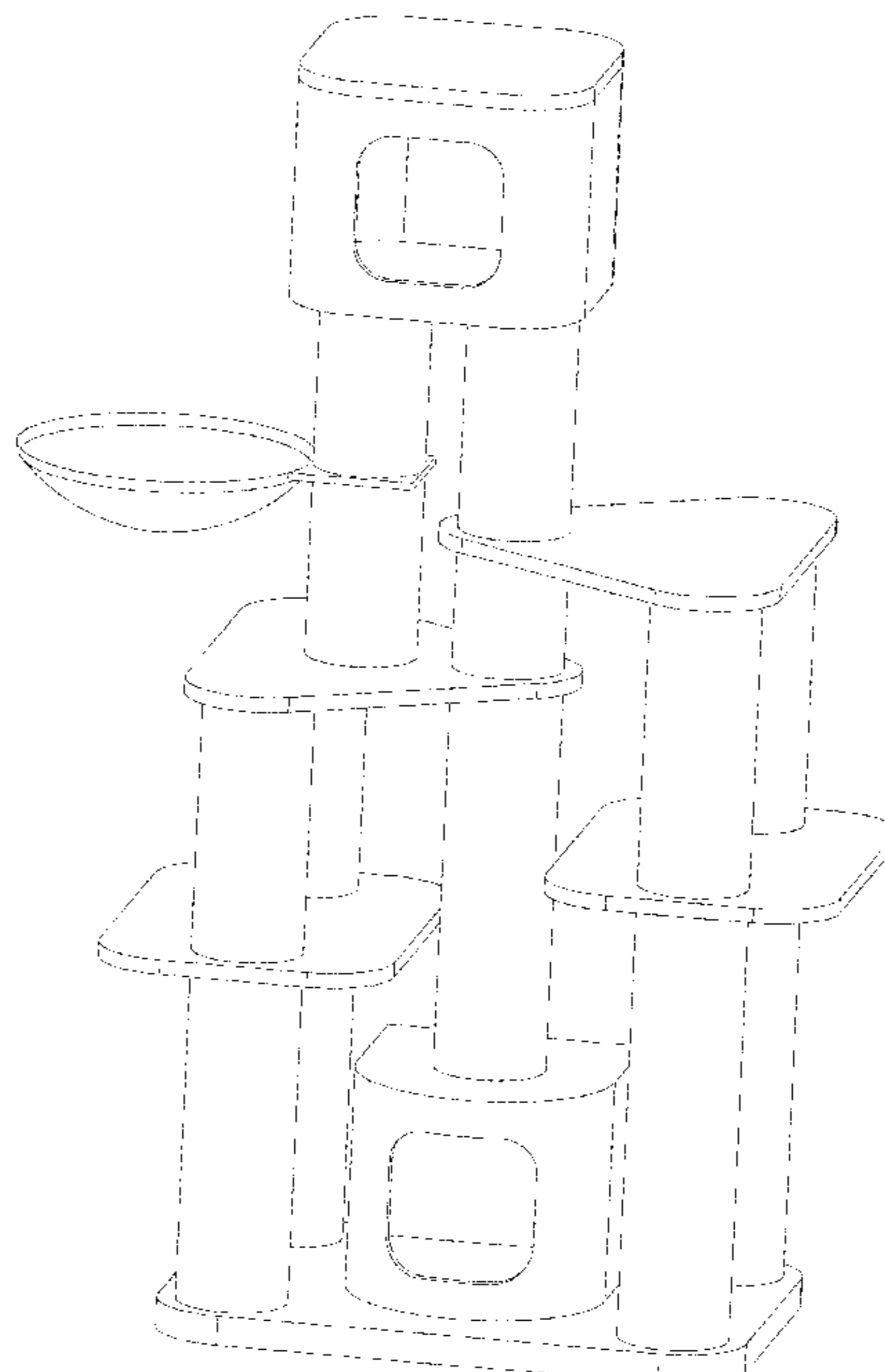
(57) **CLAIM**

The ornamental design for a cat crawling frame, as shown.

**DESCRIPTION**

FIG. 1 is a front elevational view of a cat crawling frame showing my new design;  
FIG. 2 is a rear elevational view thereof;  
FIG. 3 is a left side view thereof;  
FIG. 4 is a right side view thereof;  
FIG. 5 is a top plan view thereof;  
FIG. 6 is a bottom plan view thereof; and,  
FIG. 7 is a perspective view thereof.

**1 Claim, 6 Drawing Sheets**



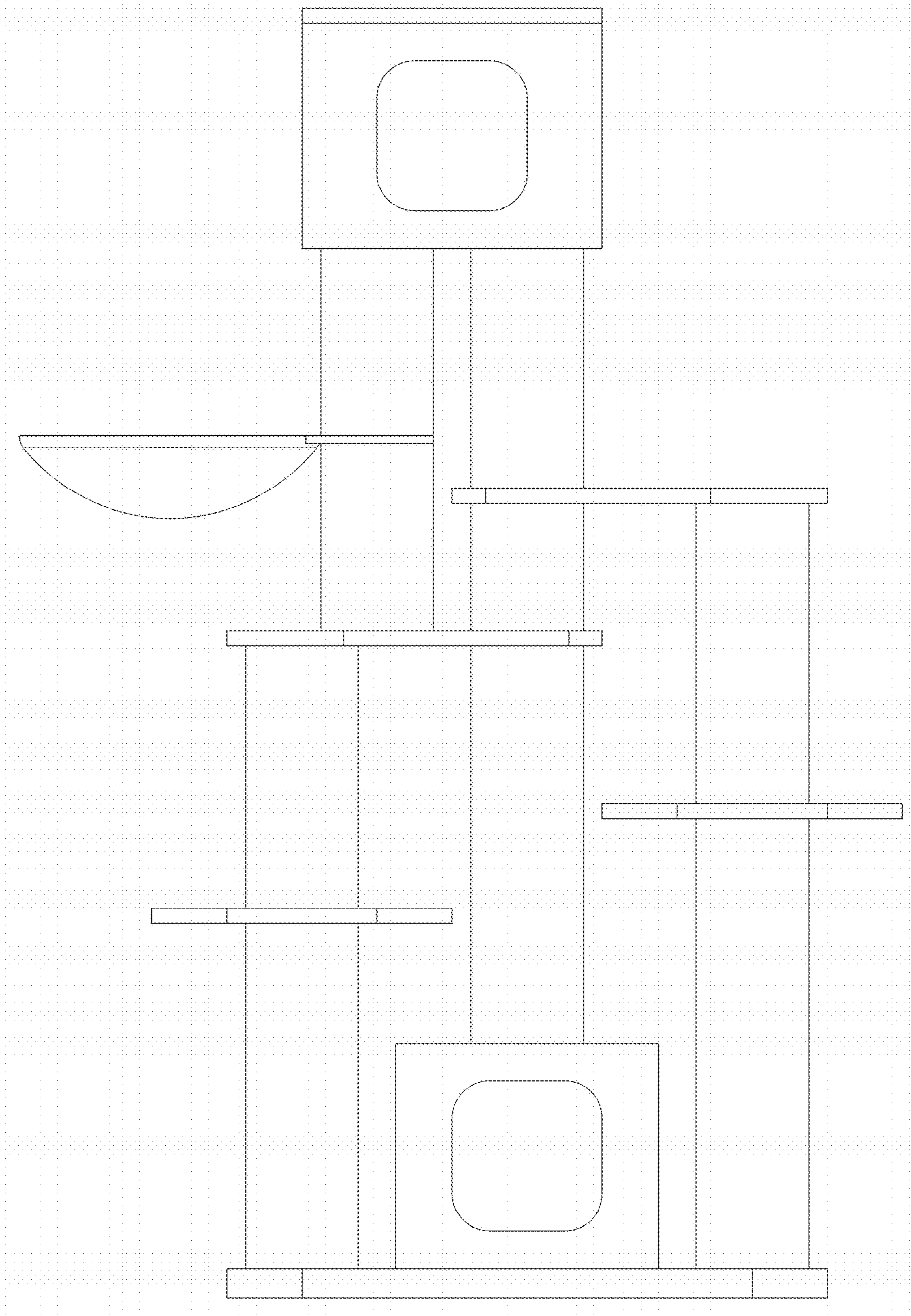


FIG. 1

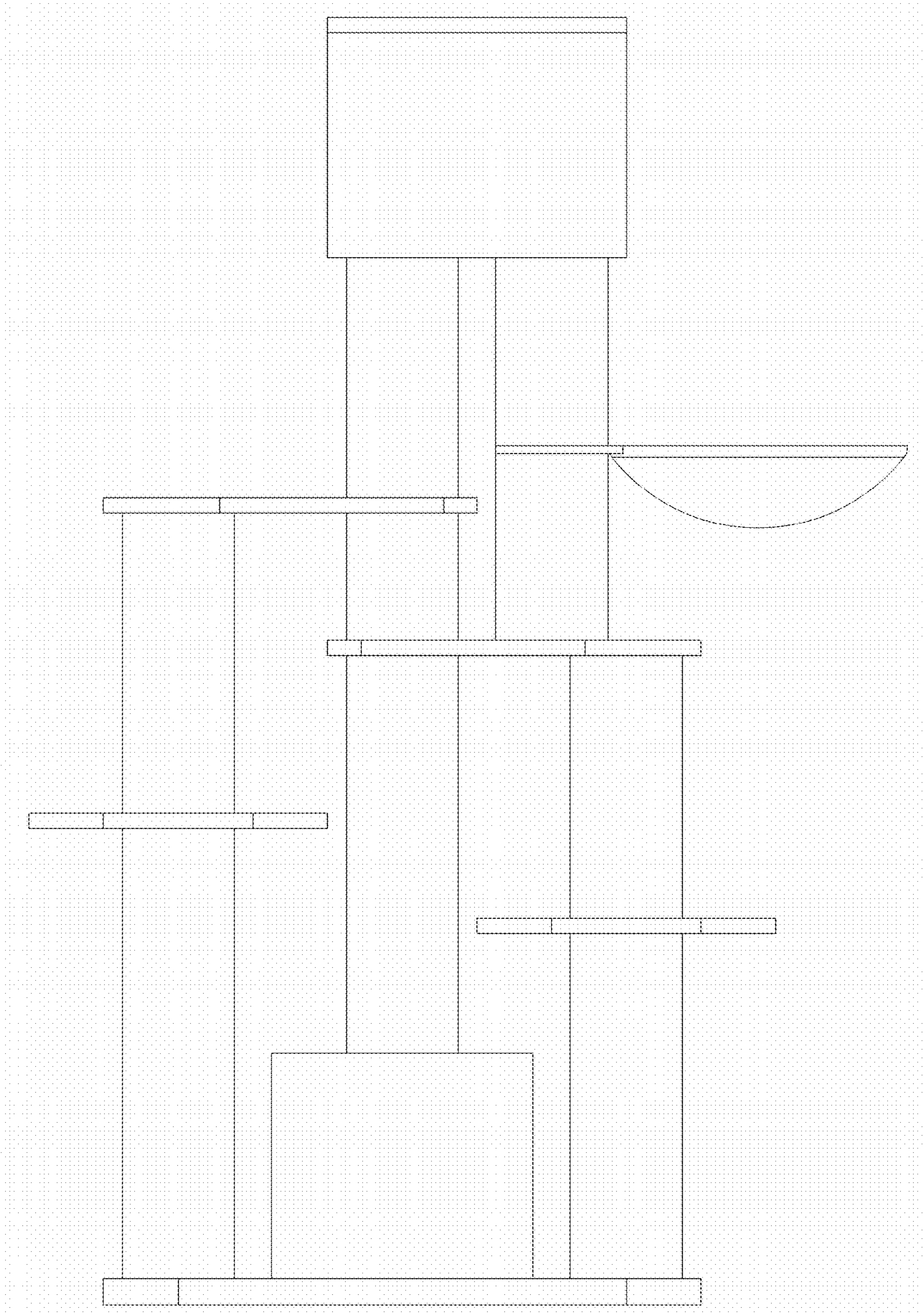


FIG. 2

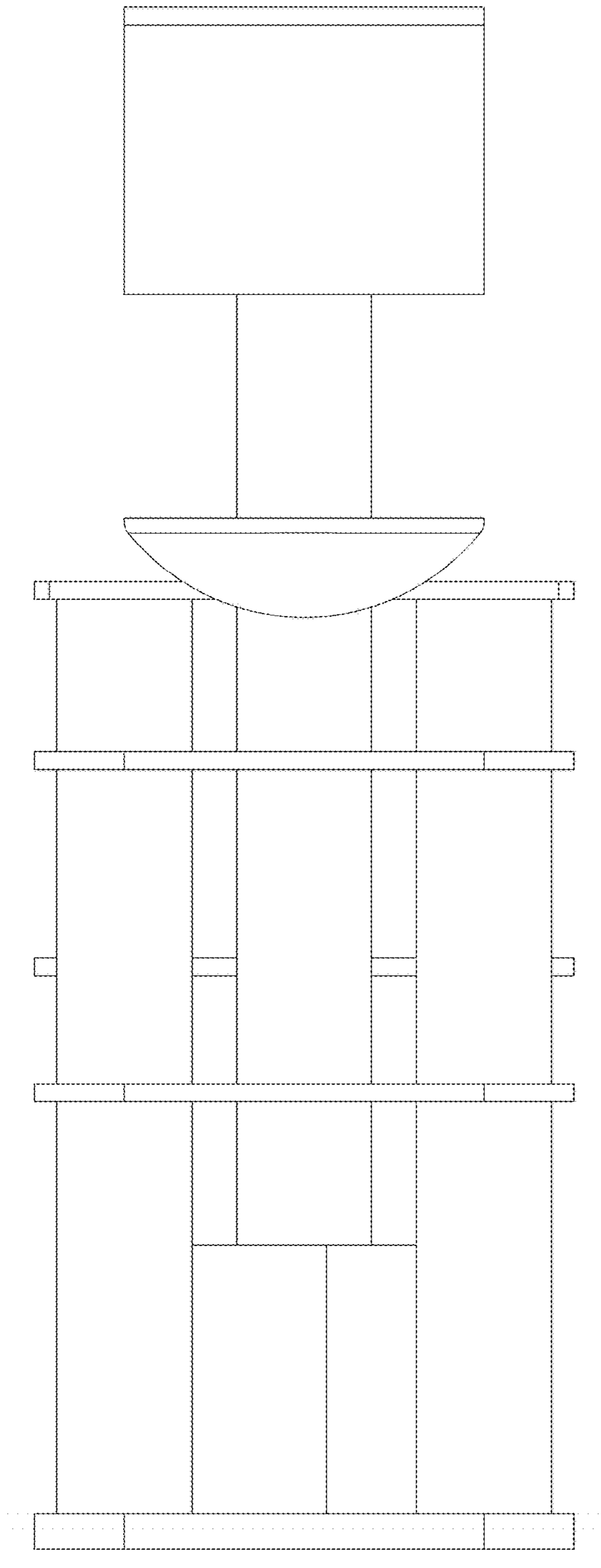


FIG. 3

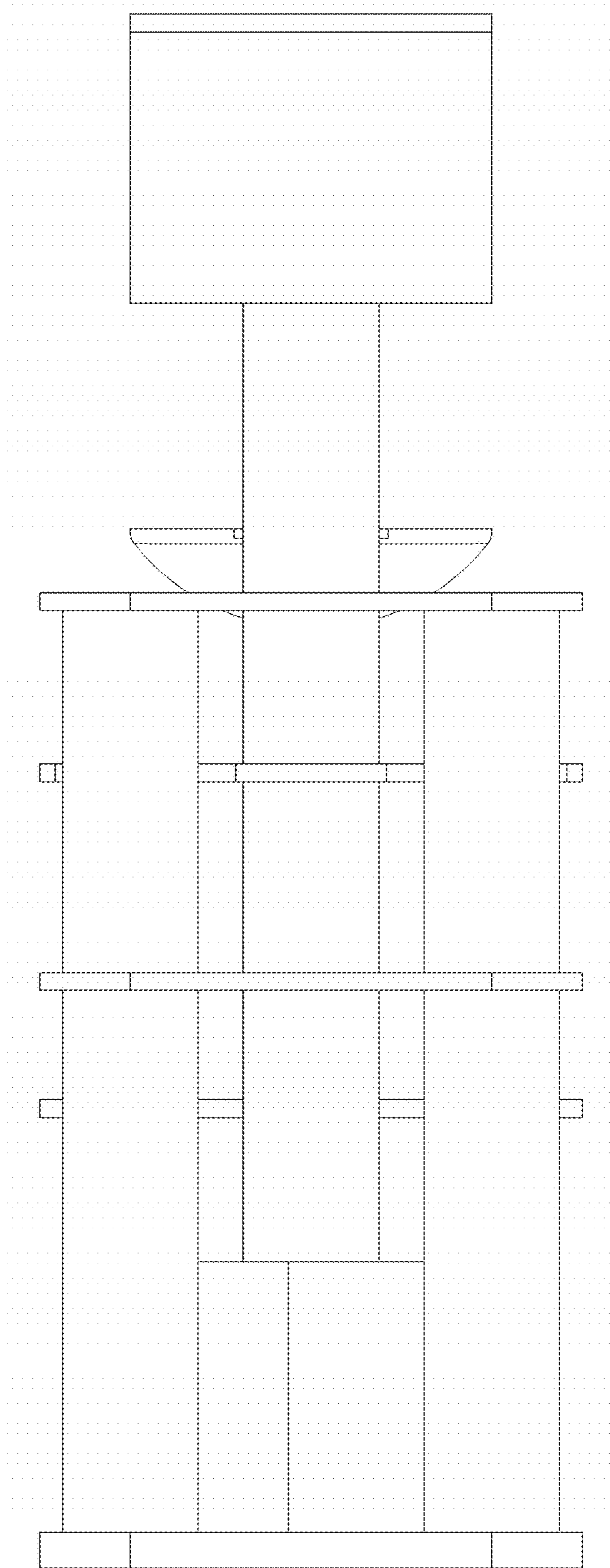


FIG. 4

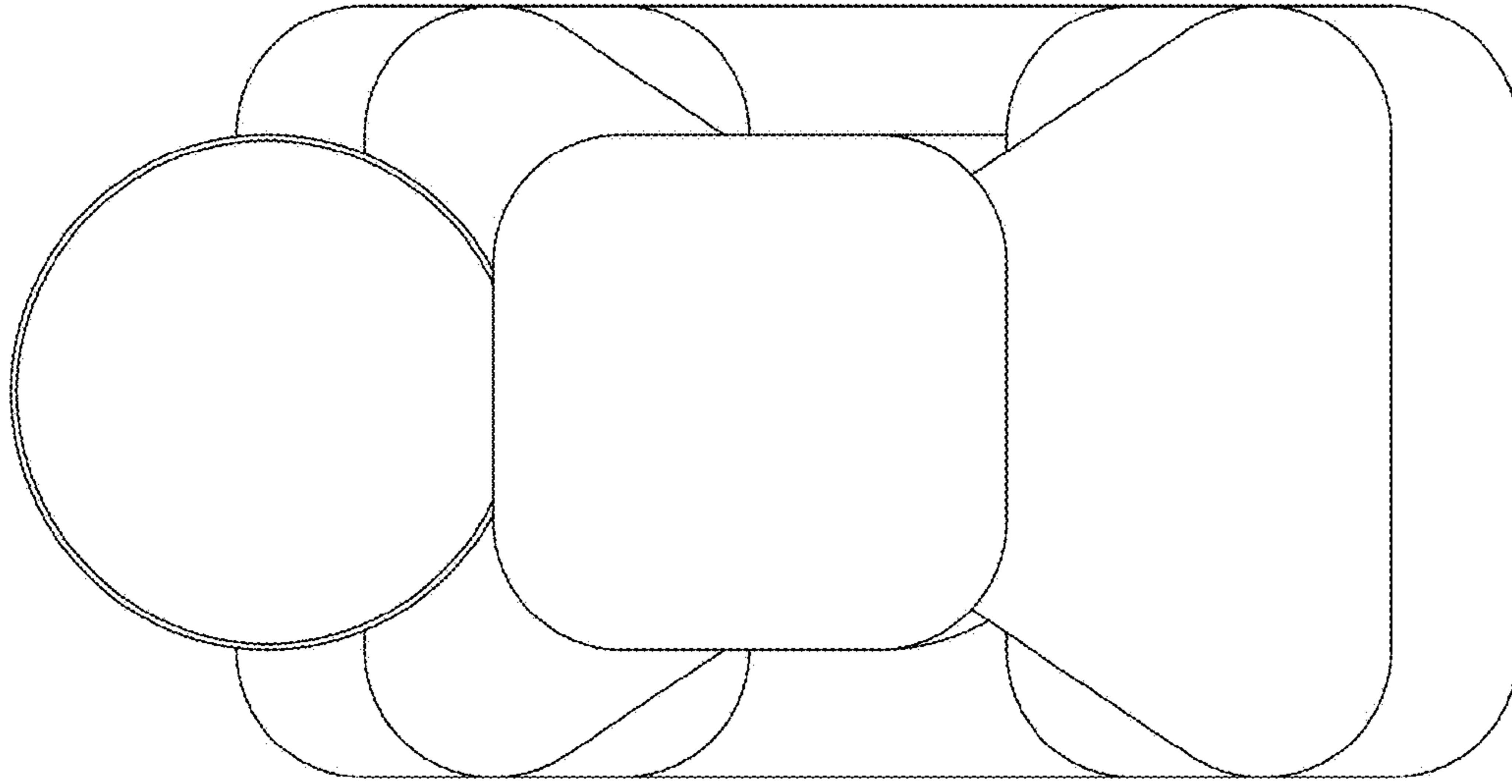


FIG. 5

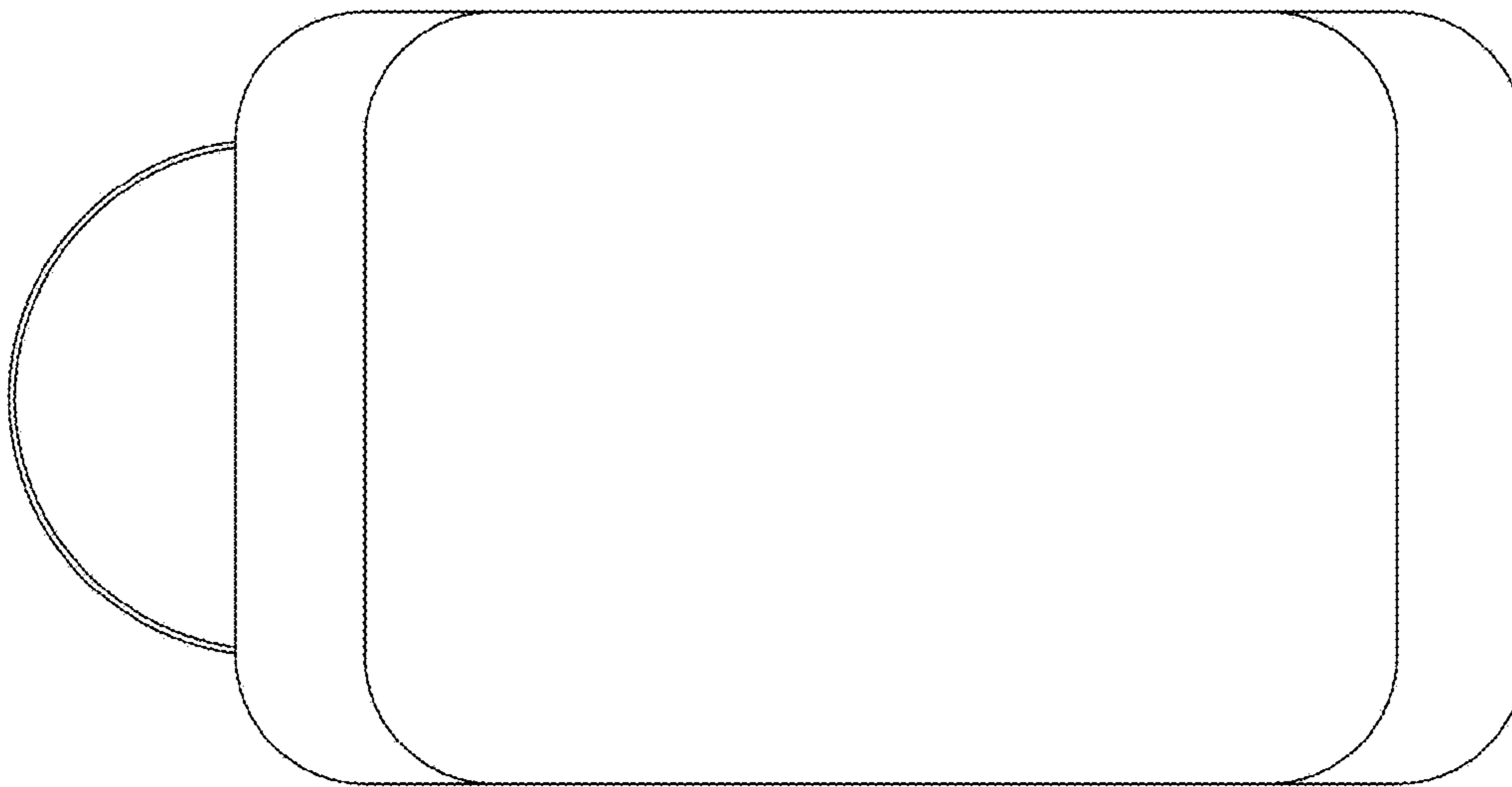


FIG. 6

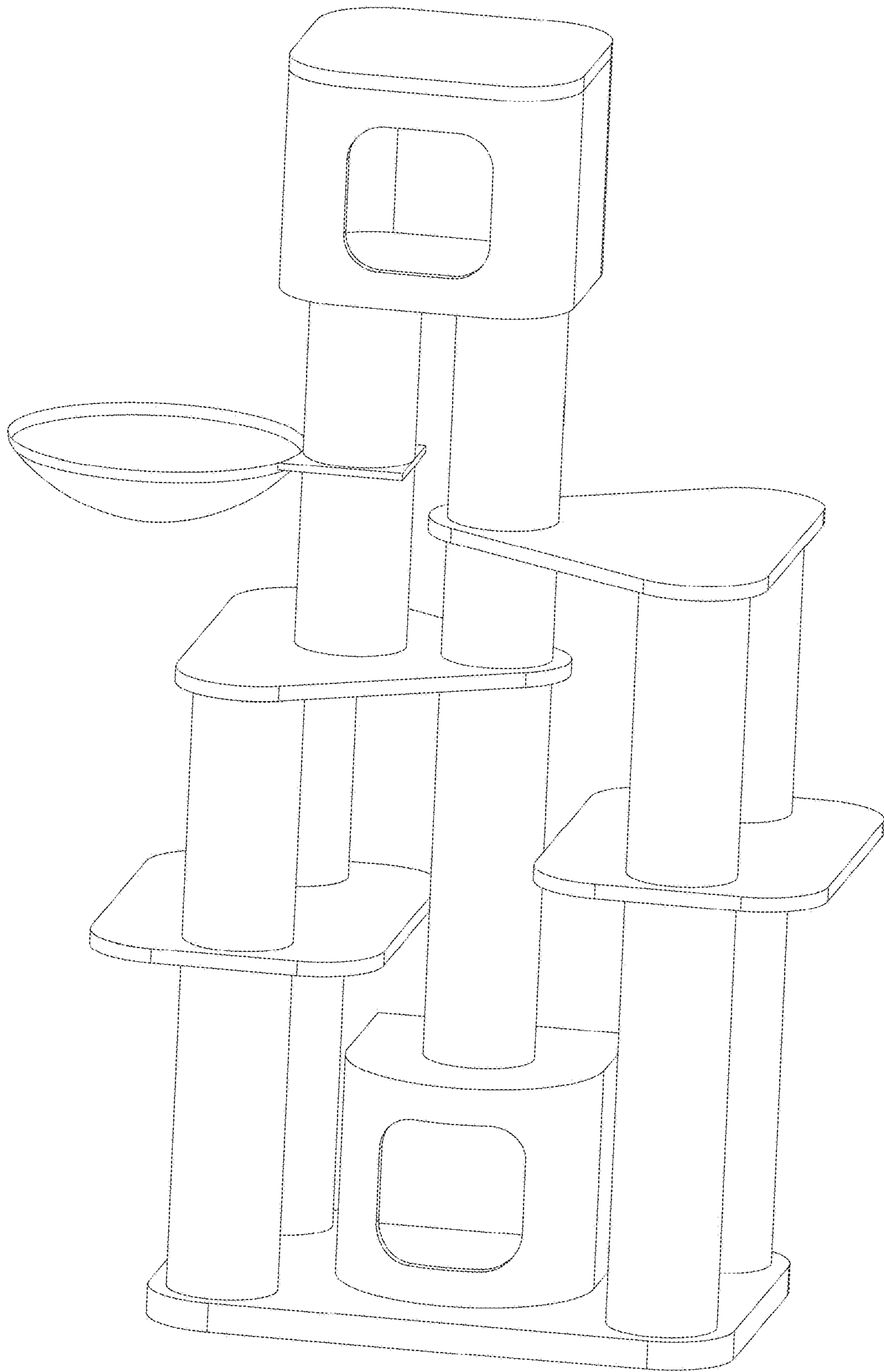


FIG. 7