



US00D846196S

(12) **United States Design Patent**
Kim et al.

(10) **Patent No.:** **US D846,196 S**

(45) **Date of Patent:** **** Apr. 16, 2019**

(54) **CONTAINER FOR COSMETICS**

(71) Applicant: **Kolmar Korea Co., Ltd.**, Sejong-si (KR)

(72) Inventors: **Hyung Sang Kim**, Sejong-si (KR);
Sung Bong Kye, Sejong-si (KR); **Koo Sup Ahn**, Sejong-si (KR)

(73) Assignee: **Kolmar Korea Co., Ltd.**, Sejong-si (KR)

(**) Term: **15 Years**

(21) Appl. No.: **29/621,245**

(22) Filed: **Oct. 5, 2017**

(30) **Foreign Application Priority Data**

Apr. 6, 2017 (KR) 30-2017-0016082
Apr. 10, 2017 (KR) 30-2017-0016434

(51) **LOC (11) Cl.** **28-03**

(52) **U.S. Cl.**
USPC **D28/84**

(58) **Field of Classification Search**
USPC D28/76-84; D9/420, 425, 428
CPC A45D 33/00; A45D 33/003; A45D 33/006-33/008; A45D 33/16; A45D 33/24; A45D 33/20; A45D 2200/051-2200/053; A45D 40/22; A45D 40/24; A45D 2040/223-2040/228
See application file for complete search history.

(56) **References Cited**

U.S. PATENT DOCUMENTS

963,212 A * 7/1910 Davis A45D 33/006
132/294
D67,545 S * 6/1925 Powell D28/82
4,589,430 A * 5/1986 Sussman A45D 40/22
132/218
5,437,294 A * 8/1995 Ebbets A45D 40/22
132/296

(Continued)

OTHER PUBLICATIONS

www.beautifulwithbrains.com, 6 cushion foundation to try in 2015, downloaded Aug. 9, 2018, 1 page.*

(Continued)

Primary Examiner — Jennifer Rivard

(74) *Attorney, Agent, or Firm* — Novick, Kim & Lee, PLLC; Sang Ho Lee

(57) **CLAIM**

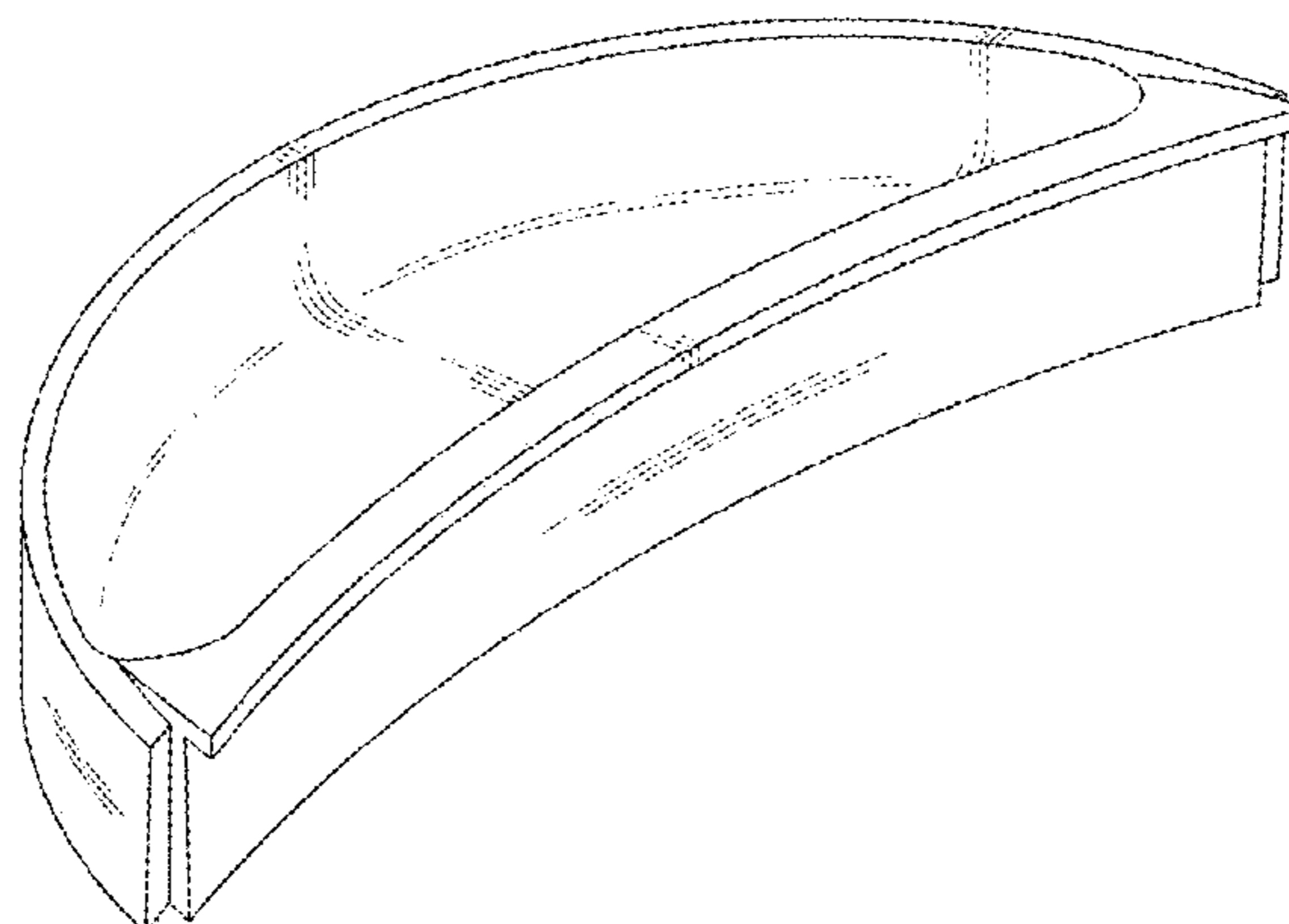
We claim the ornamental design for a container for cosmetics, as shown and described.

DESCRIPTION

FIG. 1 is a front perspective view of a first embodiment of a container for cosmetics, showing our new design; FIG. 2 is a front elevational view thereof; FIG. 3 is a rear elevational view thereof; FIG. 4 is a left side elevational view thereof; FIG. 5 is a right side elevational view thereof; FIG. 6 is a top plan view thereof; FIG. 7 is a bottom plan view thereof; FIG. 8 is a front perspective view of a second embodiment of a container for cosmetics; FIG. 9 is a front elevational view thereof; FIG. 10 is a rear elevational view thereof; FIG. 11 is a left side elevational view thereof; FIG. 12 is a right side elevational view thereof; FIG. 13 is a top plan view thereof; and, FIG. 14 is a bottom plan view thereof.

The dash-dash broken lines shown in the drawings show portions of the container for cosmetics which form no part of the claimed design. The dot-dash broken lines define the bounds of the claimed design and form no part thereof.

1 Claim, 6 Drawing Sheets



(56)

References Cited

U.S. PATENT DOCUMENTS

5,813,420 A * 9/1998 Sussman A45D 33/006
132/294
D407,856 S * 4/1999 Orsomando D28/83
D439,376 S * 3/2001 Lerolle D28/82
D473,345 S * 4/2003 Thorpe D28/82
6,712,076 B2 * 3/2004 Alexander A45D 33/006
132/300
D523,177 S * 6/2006 Ashiwa D28/82
D553,797 S * 10/2007 Gunter D28/82
D581,597 S * 11/2008 Martinez D28/82
D626,289 S * 10/2010 Lee D28/82
7,806,284 B2 * 10/2010 Mangano A45C 11/16
206/504
7,832,564 B2 * 11/2010 Kim A45D 33/008
132/293
D631,610 S * 1/2011 Barresi D28/83
D642,743 S * 8/2011 Shteyssel D28/83
D655,865 S * 3/2012 Villarreal D28/83
D687,186 S * 7/2013 Lai D28/83
D687,187 S * 7/2013 Lai D28/83
D687,188 S * 7/2013 Lai D28/83
D723,742 S * 3/2015 Shteyssel D28/83
D756,567 S * 5/2016 Pires D28/84
9,345,306 B2 * 5/2016 Thorpe A45C 13/008
D790,134 S * 6/2017 Shteyssel D28/64.3
D806,532 S * 1/2018 Richmond D9/420
9,867,447 B1 * 1/2018 Kim A45D 40/24
D814,705 S * 4/2018 Norris D28/82
D817,755 S * 5/2018 Kim et al. D9/420
2003/0167599 A1 * 9/2003 Seidler A45D 33/20
16/320
2006/0008485 A1 * 1/2006 Ferone A45D 33/02
424/401
2008/0245383 A1 * 10/2008 Tomandl A45D 33/008
132/200

2010/0031971 A1 * 2/2010 Ha A45D 33/006
132/293
2011/0266297 A1 * 11/2011 Thorpe A45C 13/008
220/831
2013/0133686 A1 * 5/2013 Shteyssel A45D 40/24
132/314
2014/0023689 A1 * 1/2014 Kim A61K 8/87
424/401
2014/0026921 A1 * 1/2014 Zhang A45D 33/008
132/315
2014/0261530 A1 * 9/2014 McNamara A45D 33/008
132/301
2017/0020263 A1 * 1/2017 Chang A45D 33/003
2017/0086560 A1 * 3/2017 Pires A45D 33/32
2017/0099930 A1 * 4/2017 Kim A45D 33/008
2017/0127799 A1 * 5/2017 Chung A45D 33/008
2017/0245622 A1 * 8/2017 Cicchetti A45D 40/222
2017/0303662 A1 * 10/2017 Jeong A45D 33/008
2018/0020810 A1 * 1/2018 Eberlein A45D 40/221
2018/0110316 A1 * 4/2018 Kim A45D 40/22
2018/0192760 A1 * 7/2018 Lee A45D 33/00
2018/0199693 A1 * 7/2018 Chung A45D 33/006

OTHER PUBLICATIONS

www.beautypedia, Revlon Colorstay 2-in-1 Compact, downloaded Aug. 9, 2018, 1 page.*
Google search for “half round cosmetic compact pans,” downloaded Aug. 9, 2018, 1 page.*
So lonely in Gorgeous, Bobbi Brown Face and Body Duo, Sep. 20, 2013, downloaded Aug. 9, 2018, 1 page.*
www.aliexpress.com, 100pcs DIY Makeup Tools Empty Eyeshadow Case, downloaded Aug. 9, 2018, 1 page.*
www.teenvogue.com, This Genius Korean Product . . . Foundation by Phillip Picardi, Jul. 2014, downloaded Aug. 9, 2018, 1 page.*

* cited by examiner

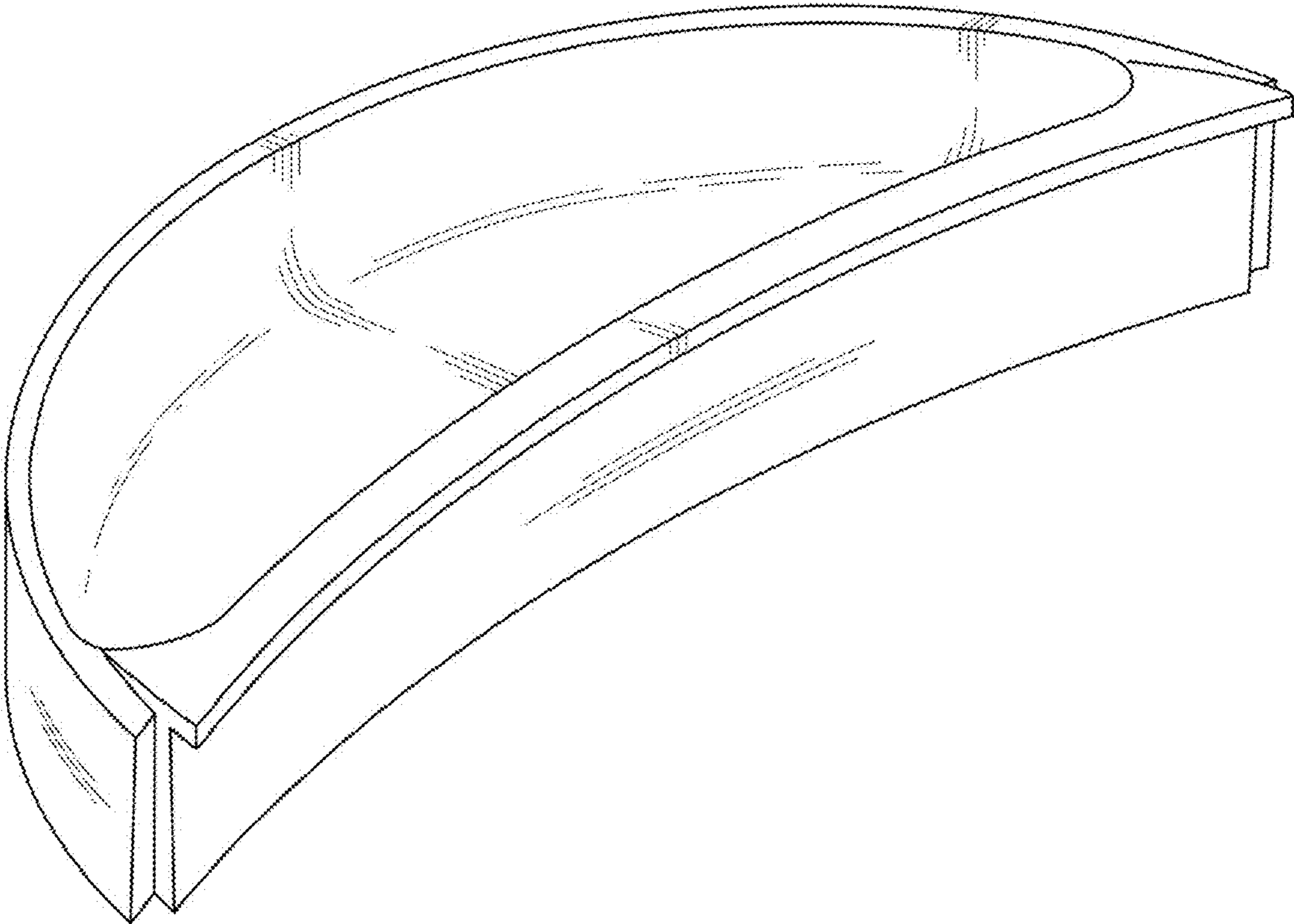


FIG. 1

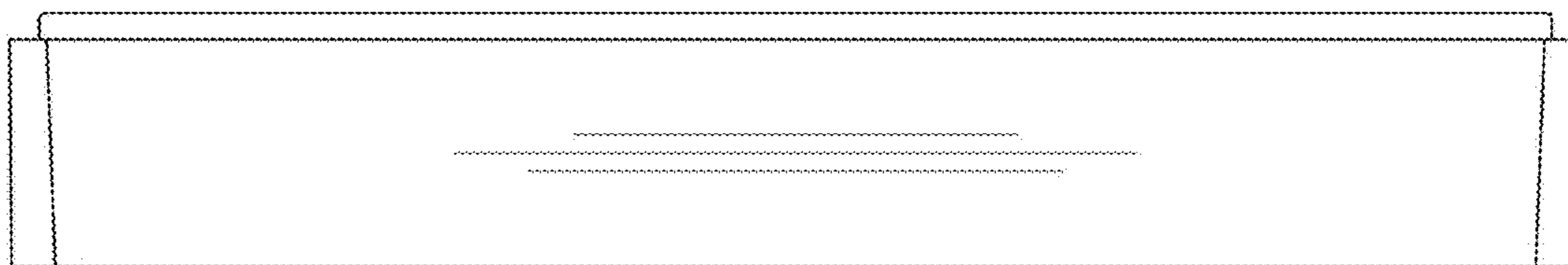


FIG. 2

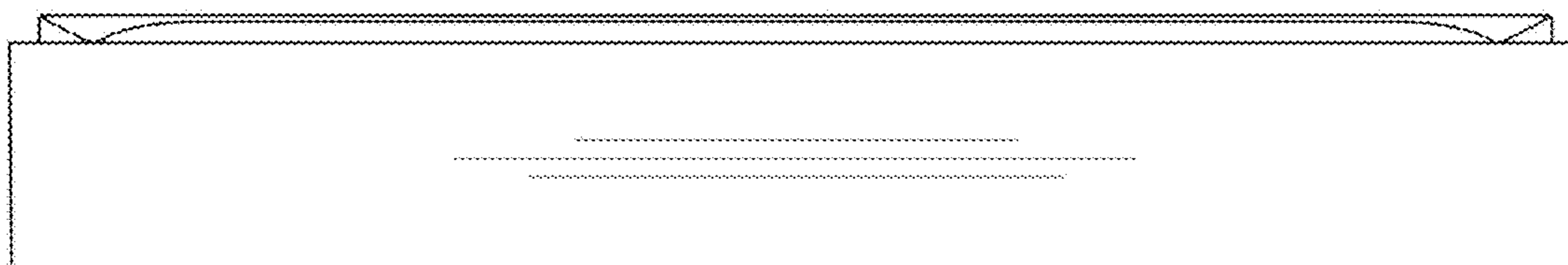


FIG. 3

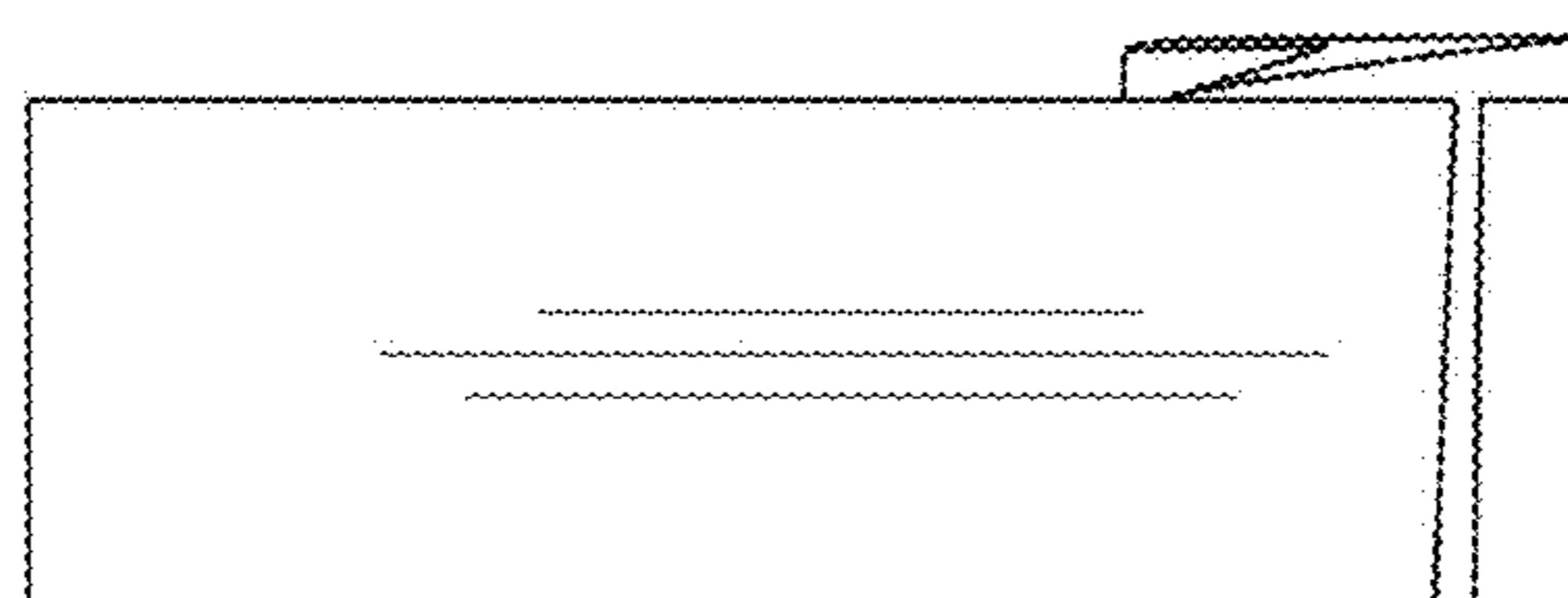


FIG. 4

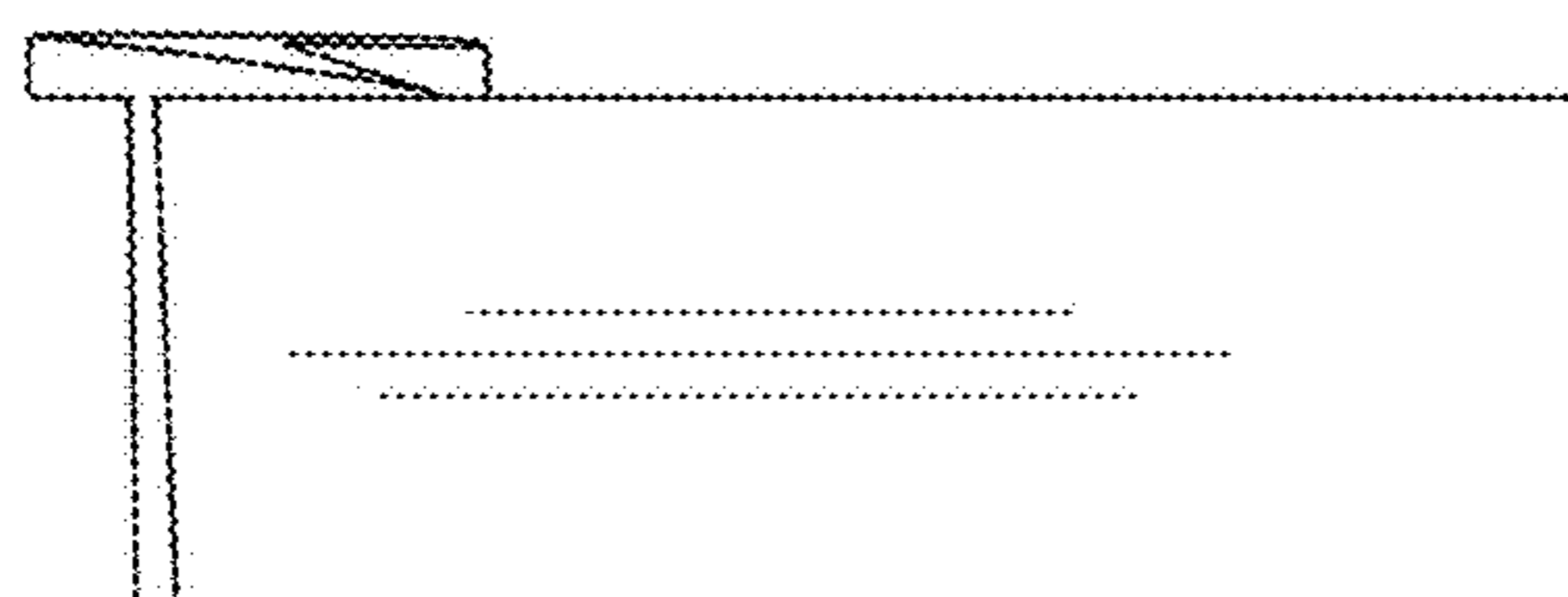


FIG. 5

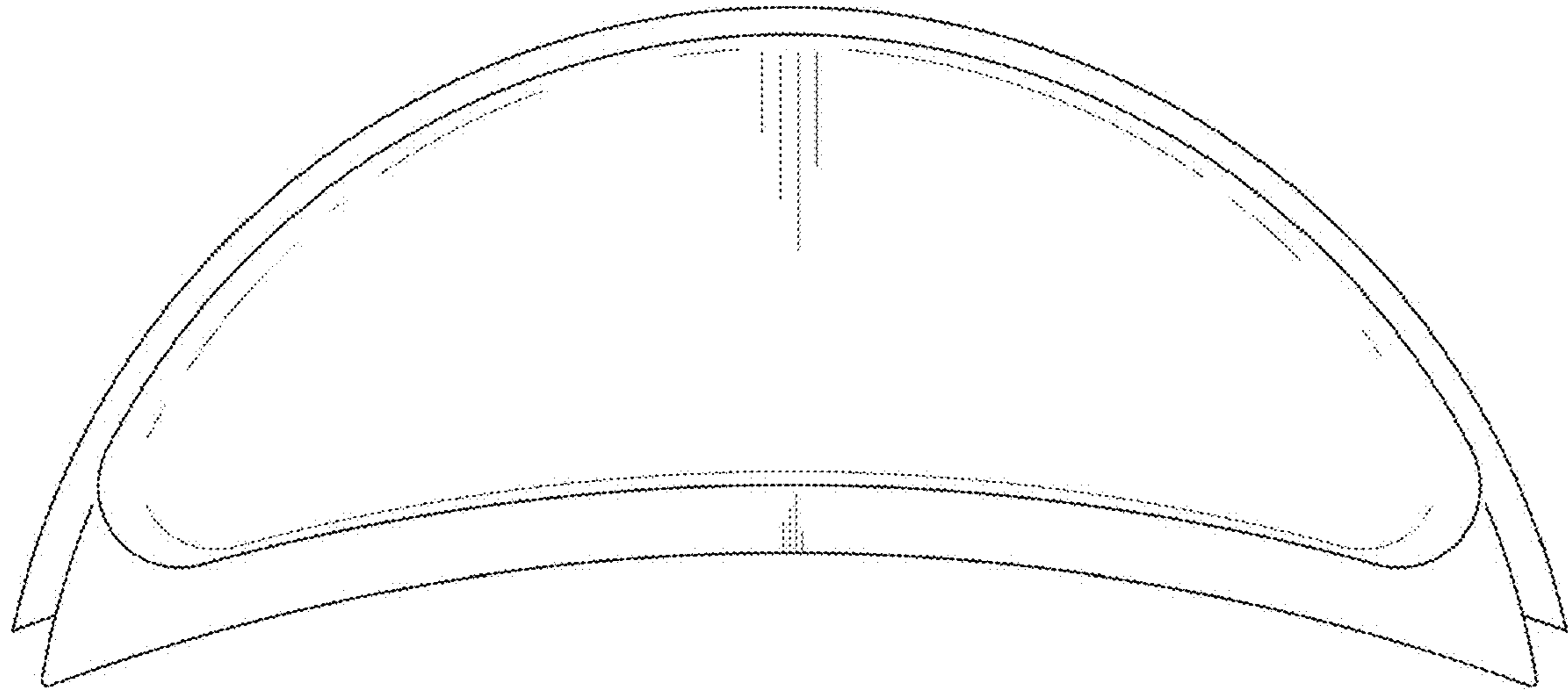


FIG. 6

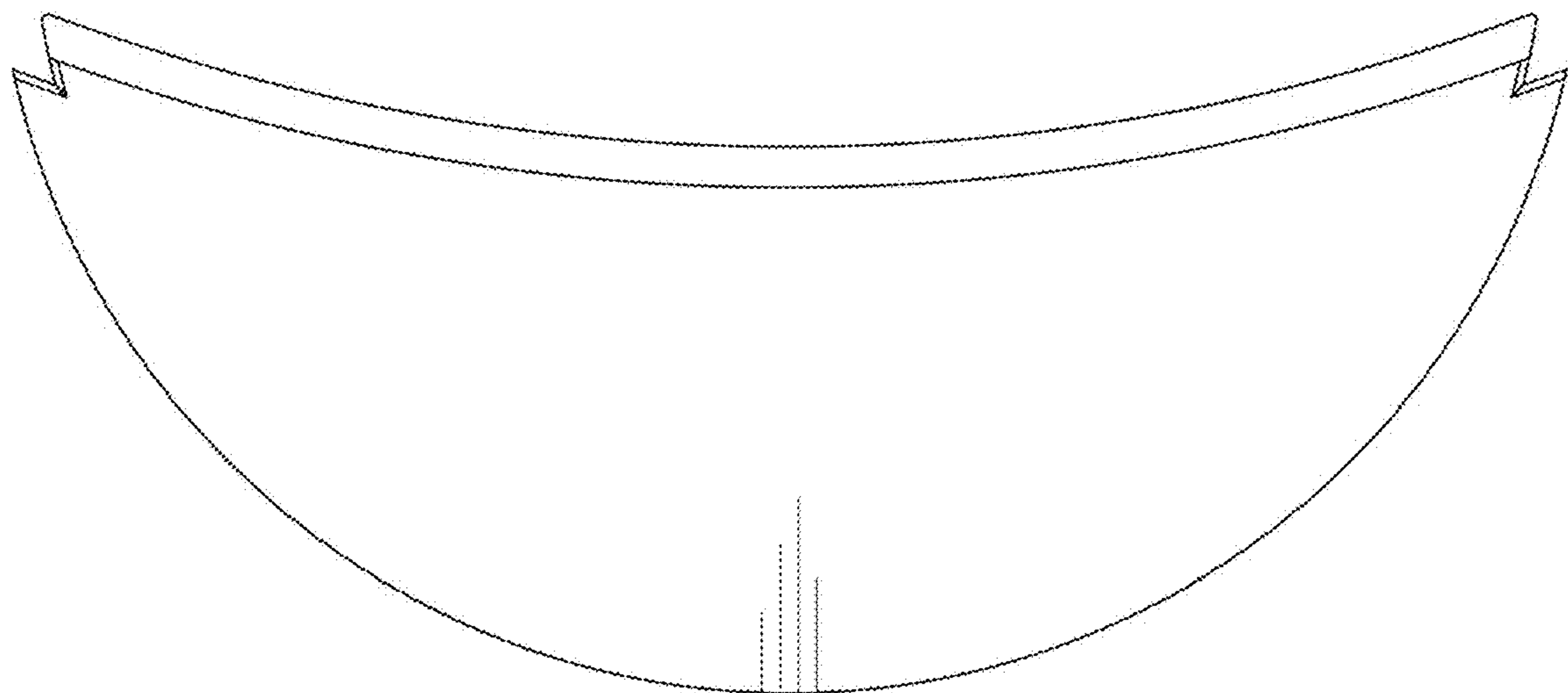


FIG. 7

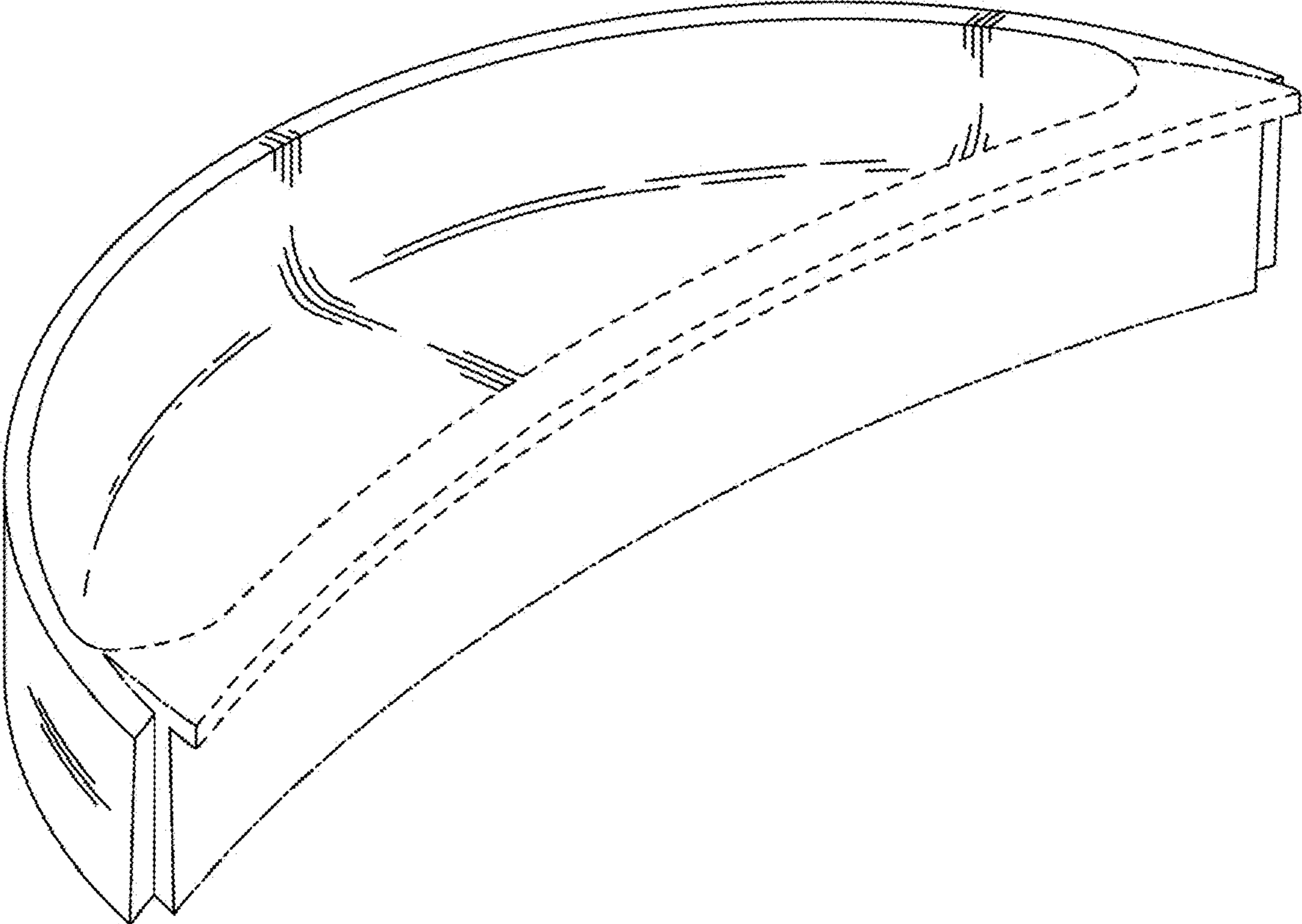


FIG. 8

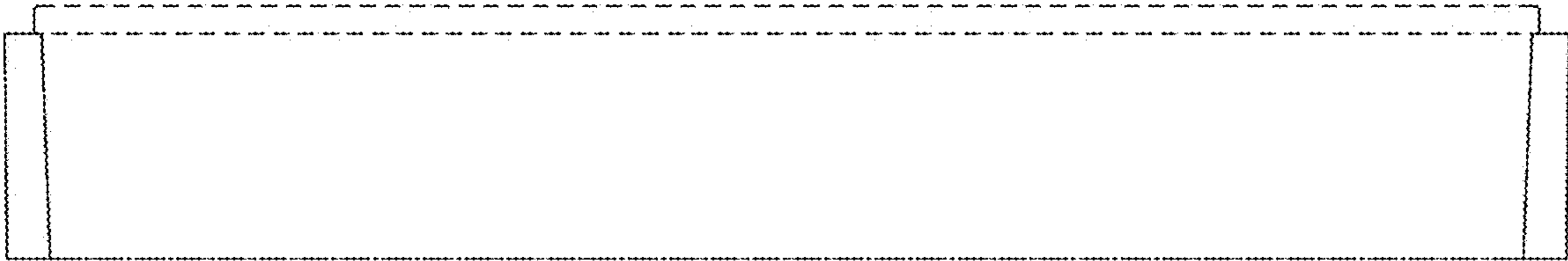


FIG. 9

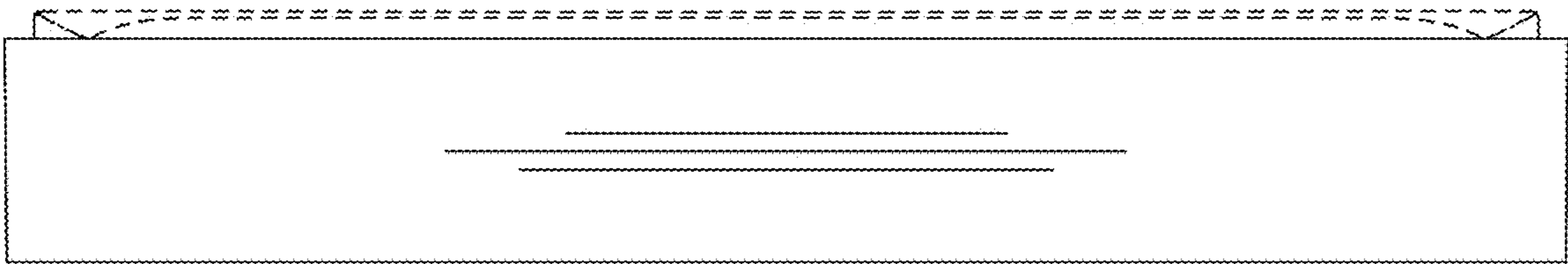


FIG. 10

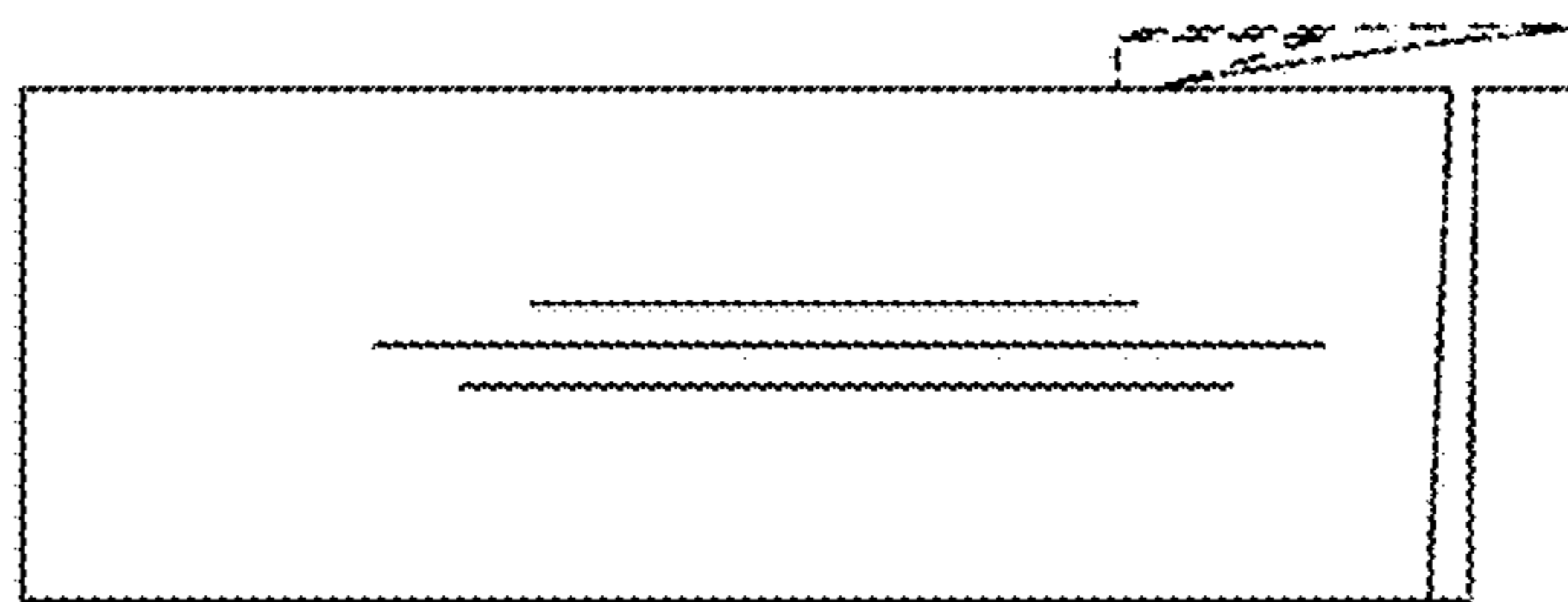


FIG. 11

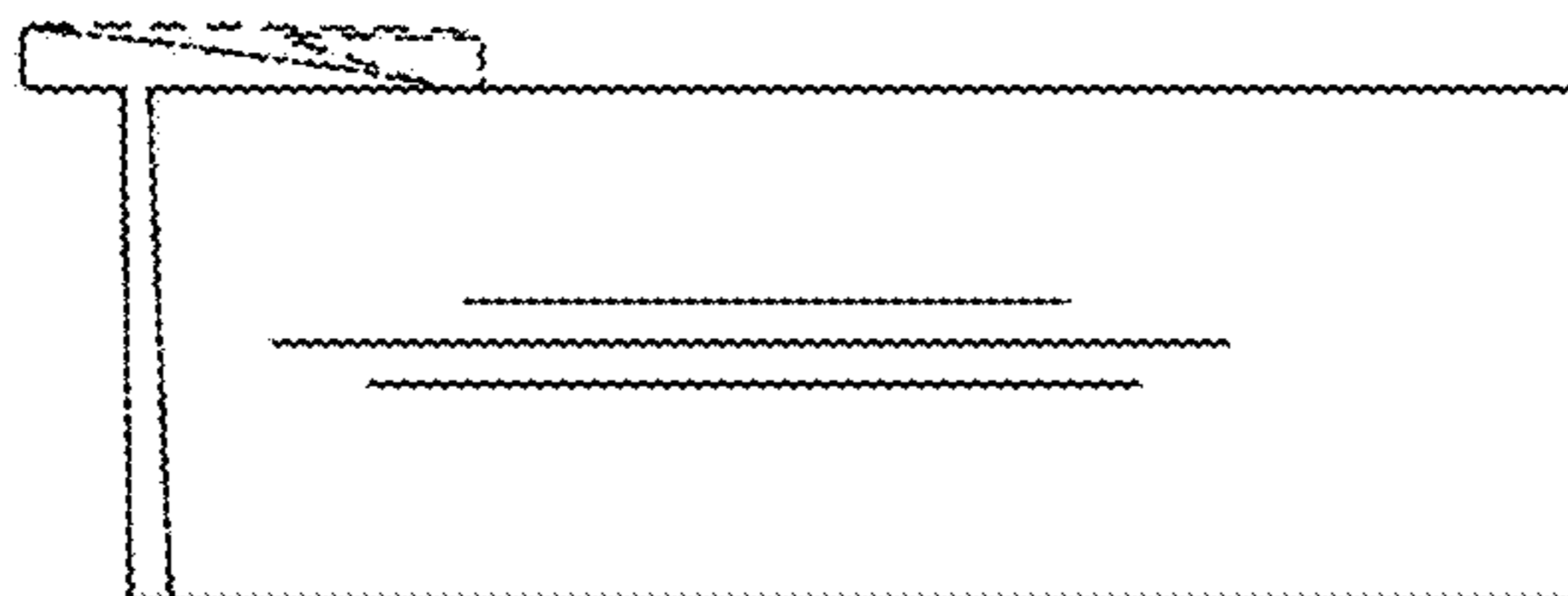


FIG. 12

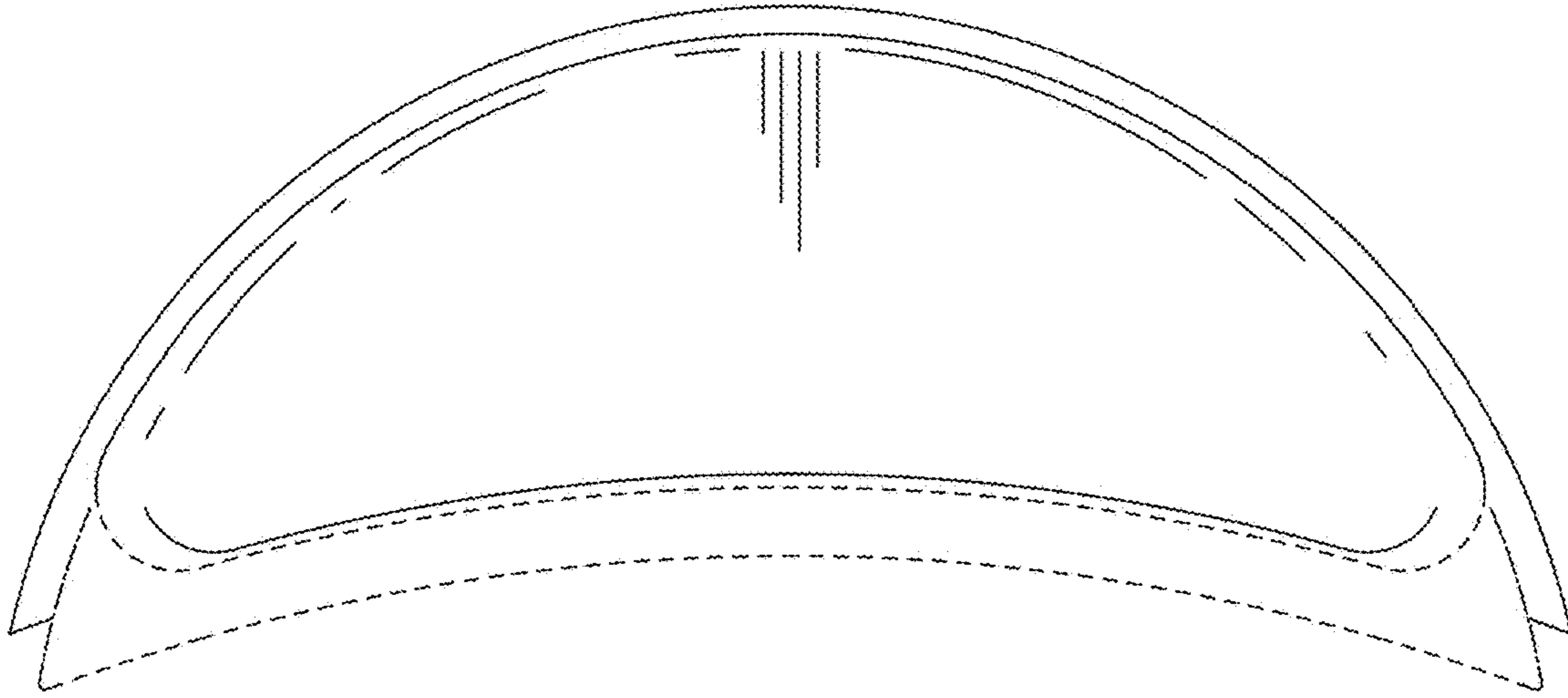


FIG. 13

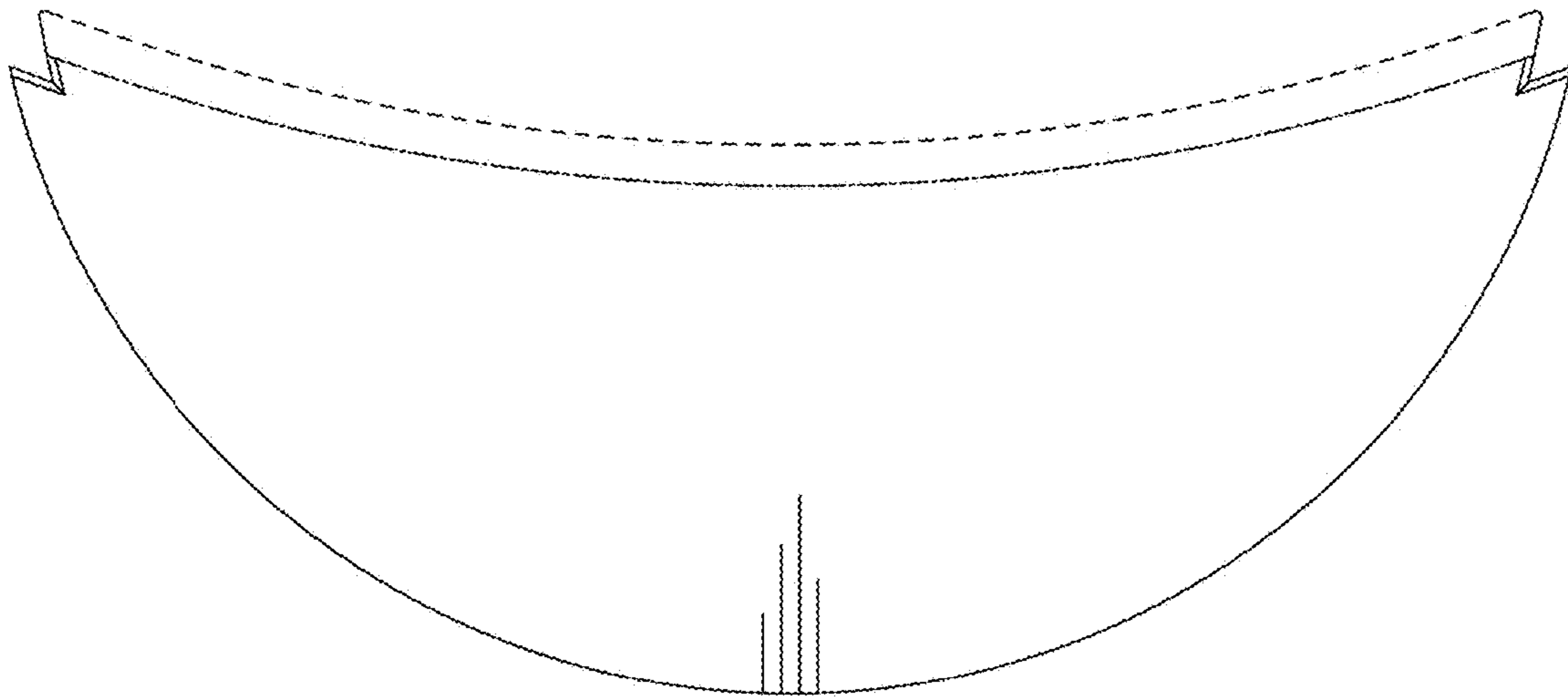


FIG. 14