



US00D846195S

(12) **United States Design Patent** (10) **Patent No.:** **US D846,195 S**
Kang (45) **Date of Patent:** **** Apr. 16, 2019**

(54) **COMPACT CONTAINER**
(71) Applicant: **AMOREPACIFIC CORPORATION**,
Seoul (KR)
(72) Inventor: **Ji Young Kang**, Incheon (KR)
(73) Assignee: **AMOREPACIFIC CORPORATION**,
Seoul (KR)
(**) Term: **15 Years**
(21) Appl. No.: **29/607,583**
(22) Filed: **Jun. 14, 2017**

(30) **Foreign Application Priority Data**
Dec. 16, 2016 (KR) 30-2016-0061264
(51) **LOC (11) Cl.** **28-03**
(52) **U.S. Cl.**
USPC **D28/82**
(58) **Field of Classification Search**
USPC D28/64.1, 76-84; D9/503-505, 722, 529;
D3/295; D19/103, 106
CPC A45D 33/006; A45D 33/003; A45D
33/04-33/33; A45D 33/025; A45D 33/02;
A45D 33/20; A45D 33/22; A45D 33/24;
A45D 33/26; A45D 33/28; A45D 33/18;
A45D 40/22; A45D 40/222; A45D 40/24
See application file for complete search history.

(56) **References Cited**
U.S. PATENT DOCUMENTS
D318,346 S * 7/1991 Bakic D28/82
D342,808 S * 12/1993 Bakic D28/82
D408,591 S * 4/1999 Litton D28/82
6,070,749 A * 6/2000 Joulia A45D 40/221
132/294
D479,366 S * 9/2003 Goswell D28/82
D496,759 S * 9/2004 Rodriguez D28/82

D537,985 S * 3/2007 Bakic D28/82
D599,953 S * 9/2009 Gibson D27/190
D626,289 S * 10/2010 Lee D28/82
D697,800 S * 1/2014 Villarreal D28/82
D721,853 S * 1/2015 Koo D28/82
D722,404 S * 2/2015 Son D28/82
D722,405 S * 2/2015 Hwang D28/82
D724,786 S * 3/2015 Jung D28/82
D726,377 S * 4/2015 Koo D28/82
D732,740 S * 6/2015 Yoon D28/82
D742,070 S * 10/2015 Park D28/82
D774,697 S * 12/2016 Praster D28/82
D777,984 S * 1/2017 Son D28/82
D788,371 S * 5/2017 Lee D28/82
D793,624 S * 8/2017 Hwang D28/82
D817,551 S * 5/2018 Montoli A45D 33/00
D28/82

* cited by examiner

Primary Examiner — Jennifer Rivard
Assistant Examiner — Alison M Ofstun
(74) *Attorney, Agent, or Firm* — Heedong Chae; Lucem,
PC

(57) **CLAIM**

The ornamental design for a compact container, as shown and described.

DESCRIPTION

FIG. 1 is a front perspective view of a compact container showing my new design;
FIG. 2 is a front elevational view thereof;
FIG. 3 is a rear elevational view thereof;
FIG. 4 is a left side elevational view thereof;
FIG. 5 is a right side elevational view thereof;
FIG. 6 is a top plan view thereof; and
FIG. 7 is a bottom plan view thereof; and,
FIG. 8 is a cross-sectional view thereof, taken along the line 8-8 of FIG. 6.
The broken lines in the drawings represent portions of the article which form no part of the claimed design.

1 Claim, 8 Drawing Sheets

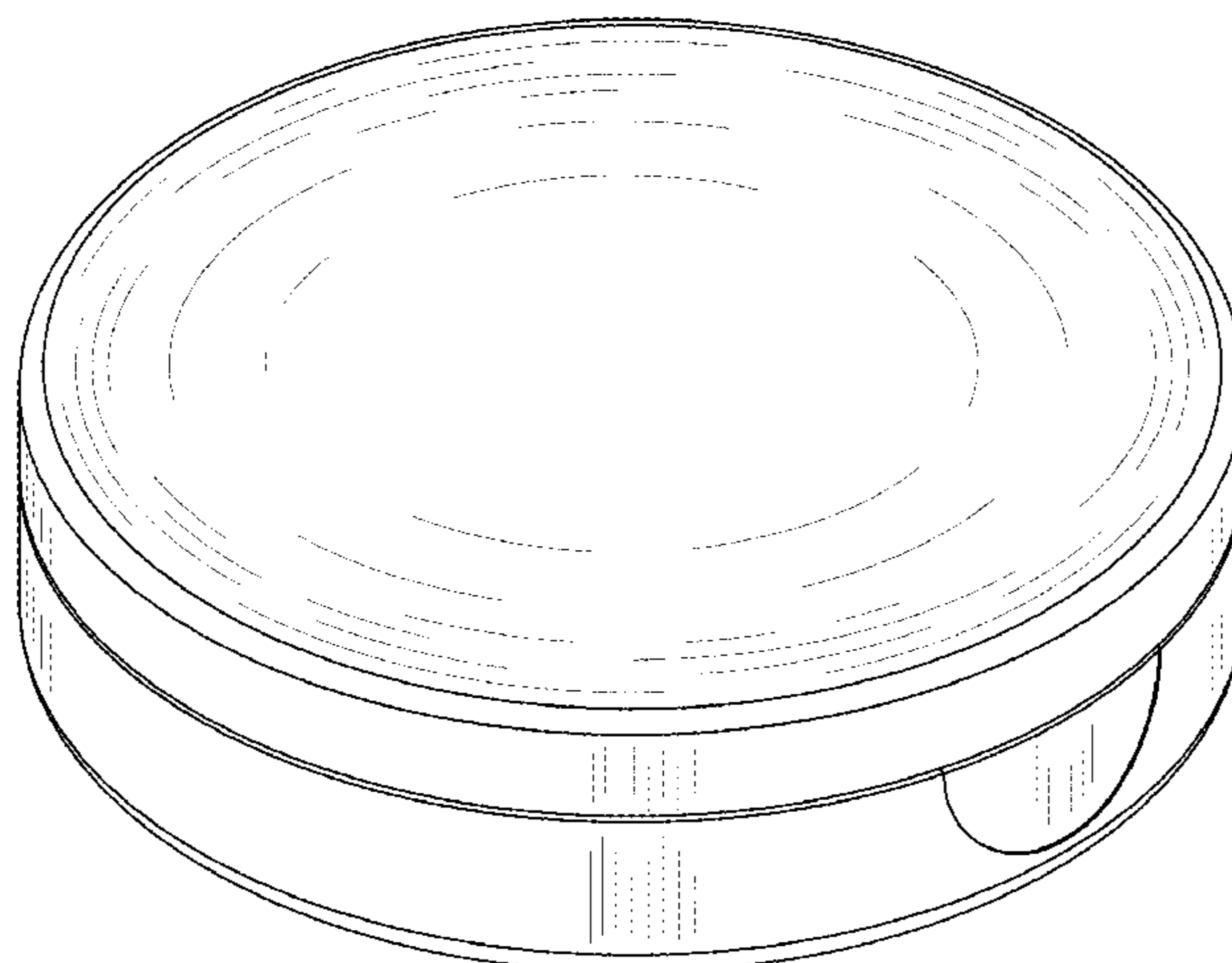


FIG. 1

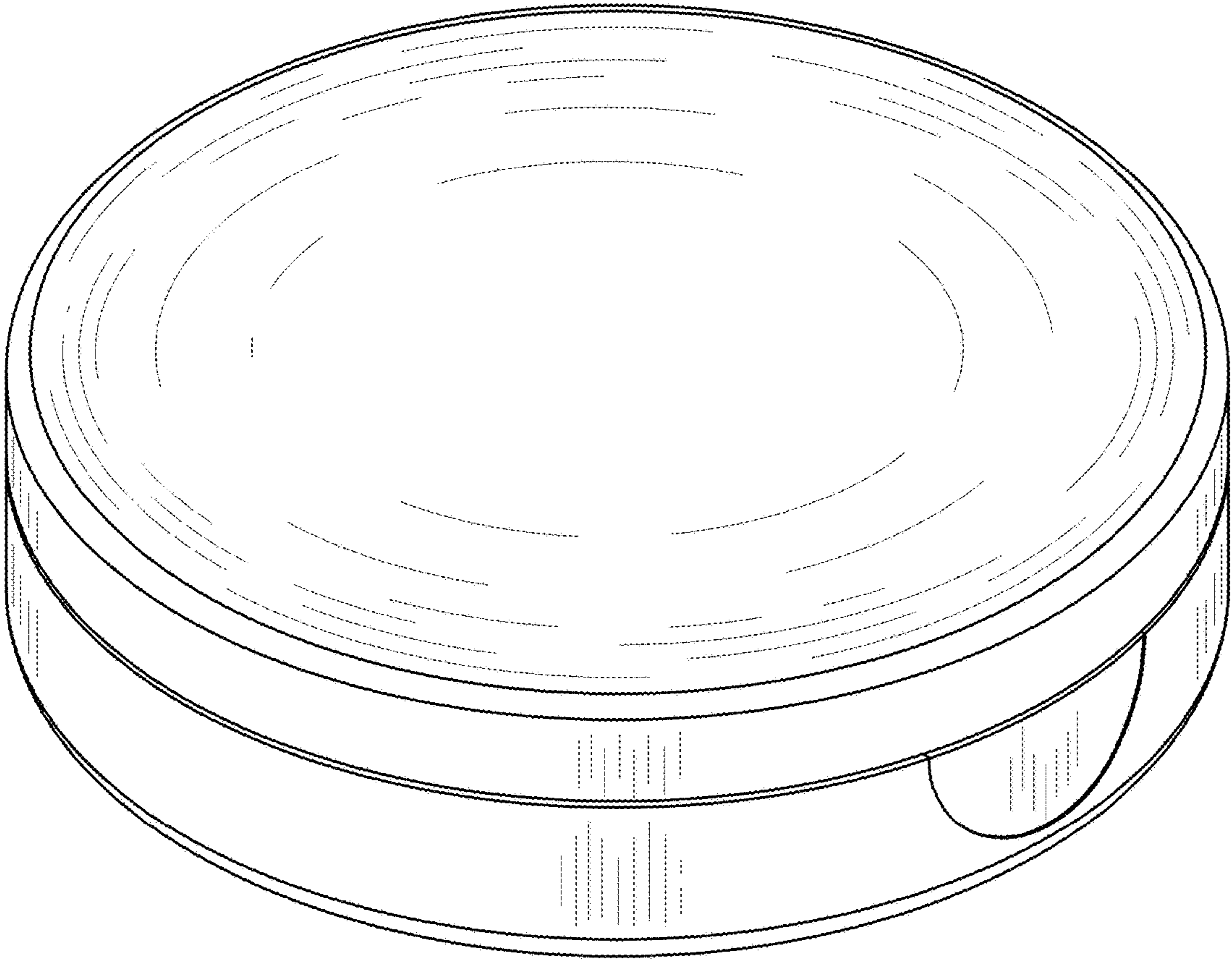


FIG. 2

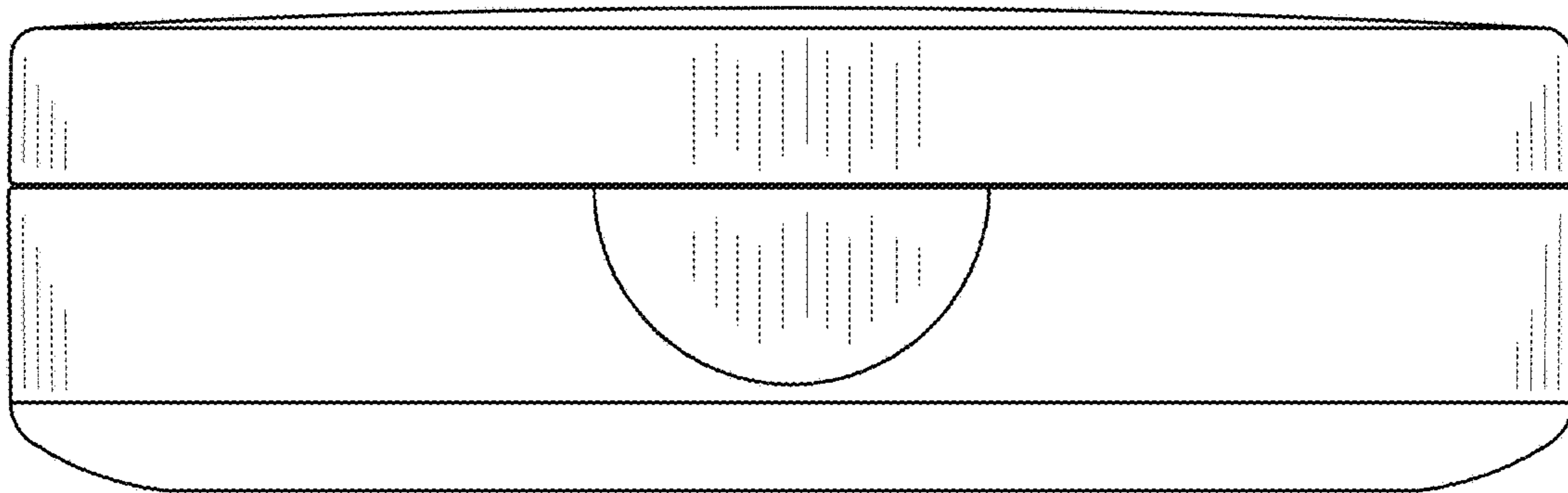


FIG. 3

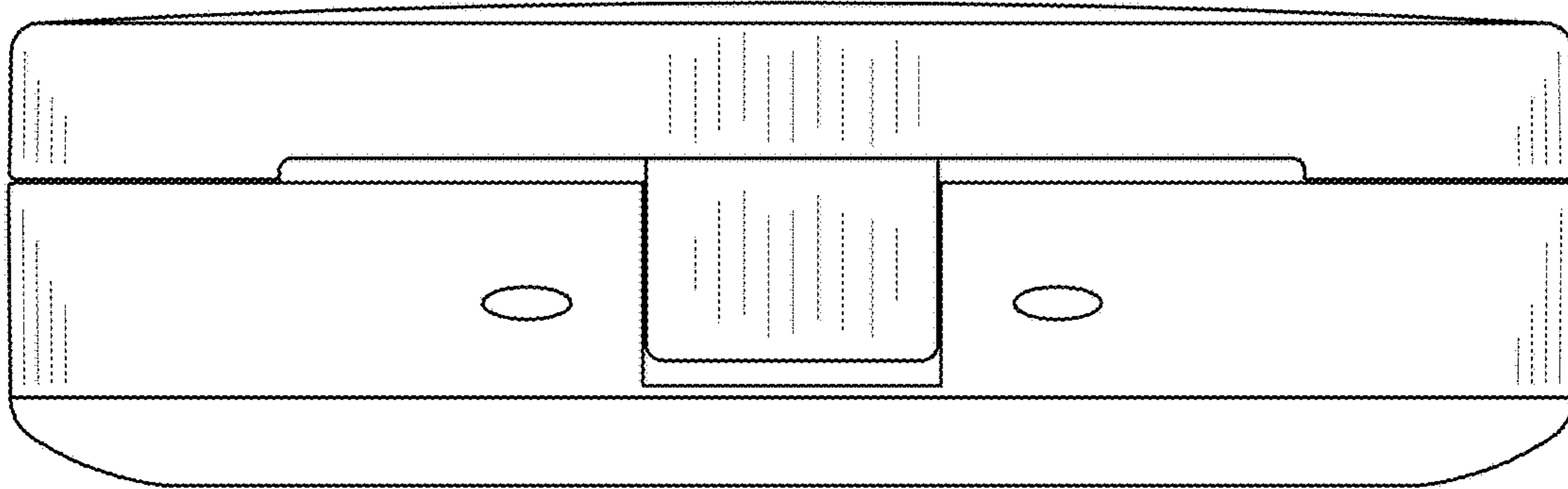


FIG. 4

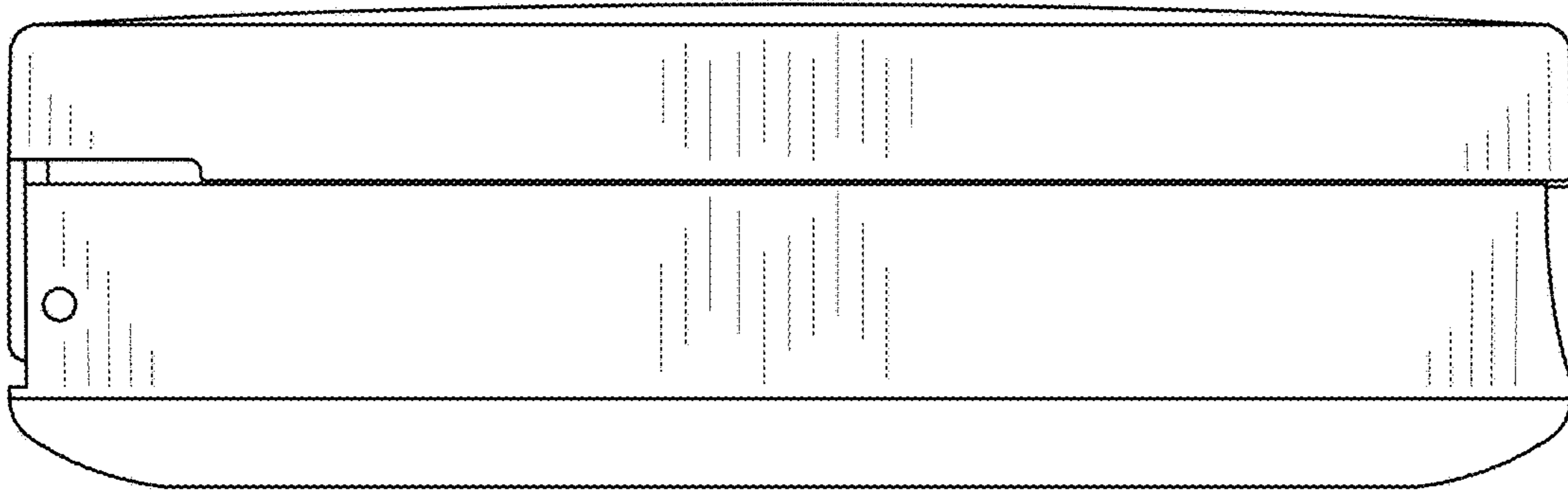


FIG. 5

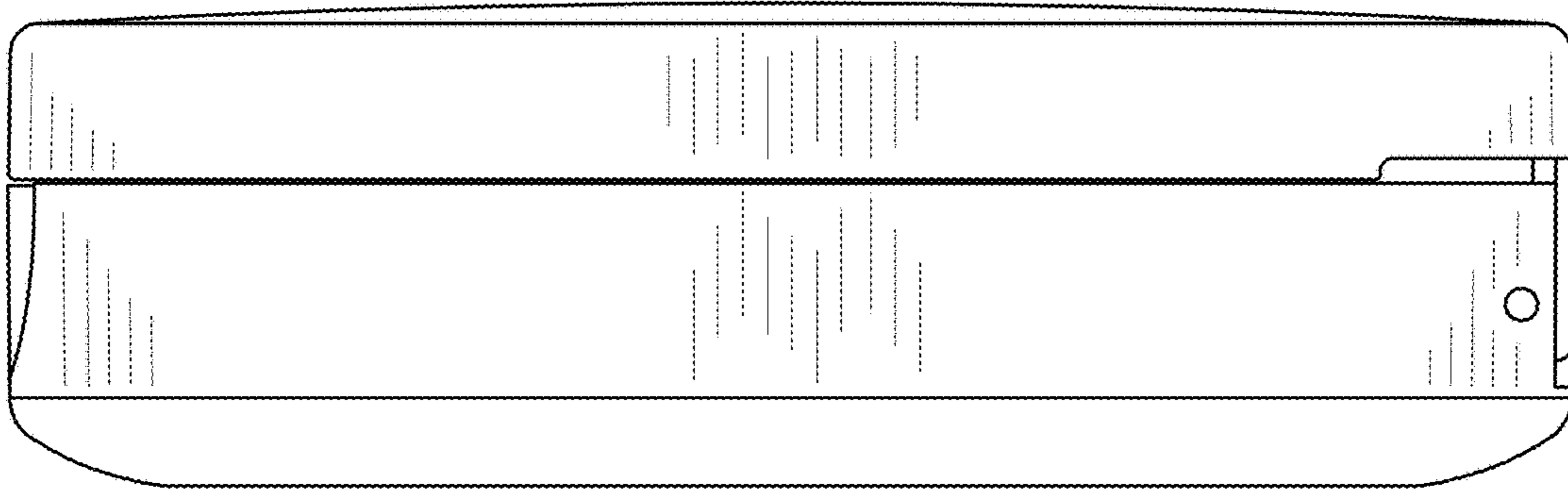


FIG. 6

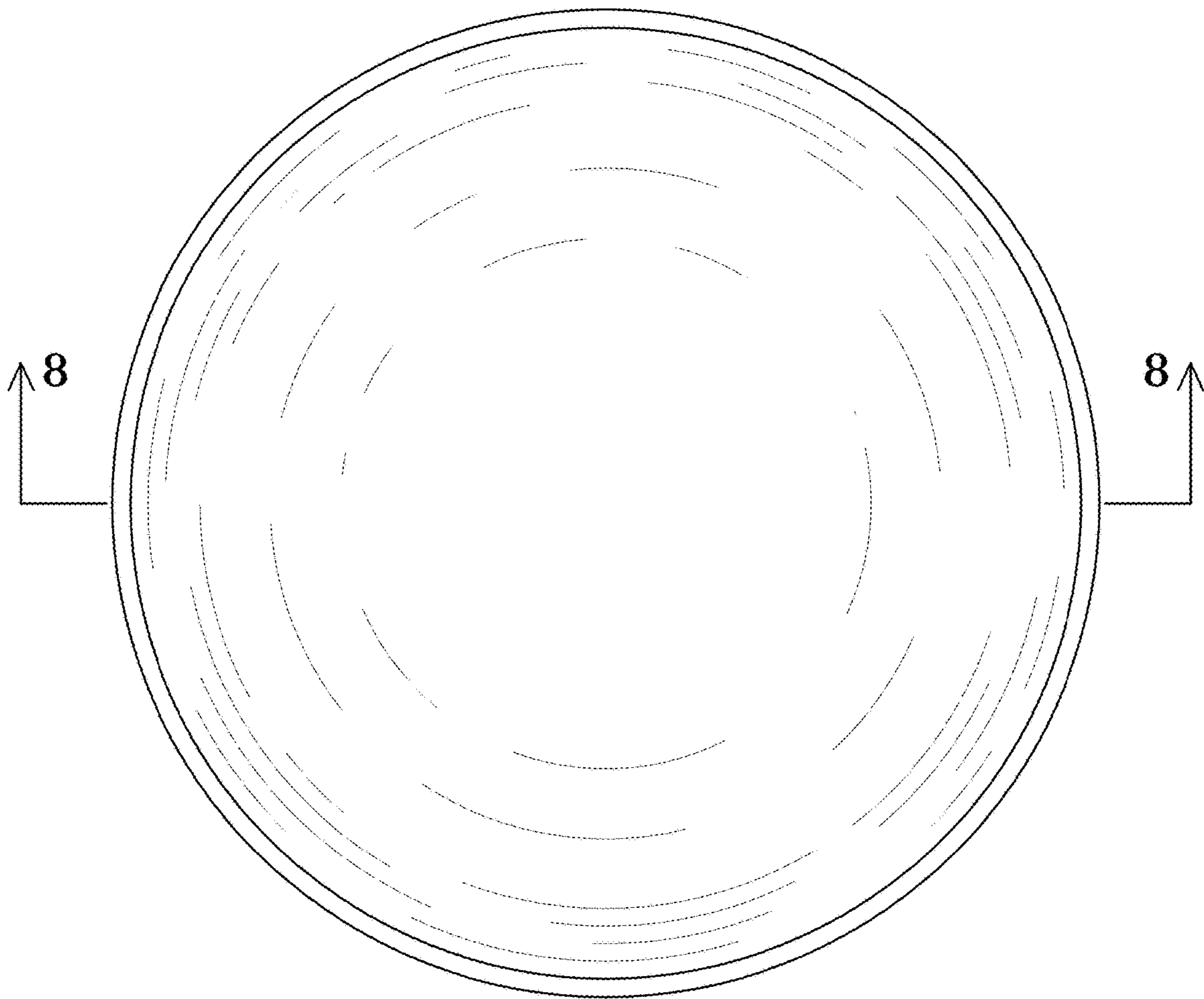


FIG. 7

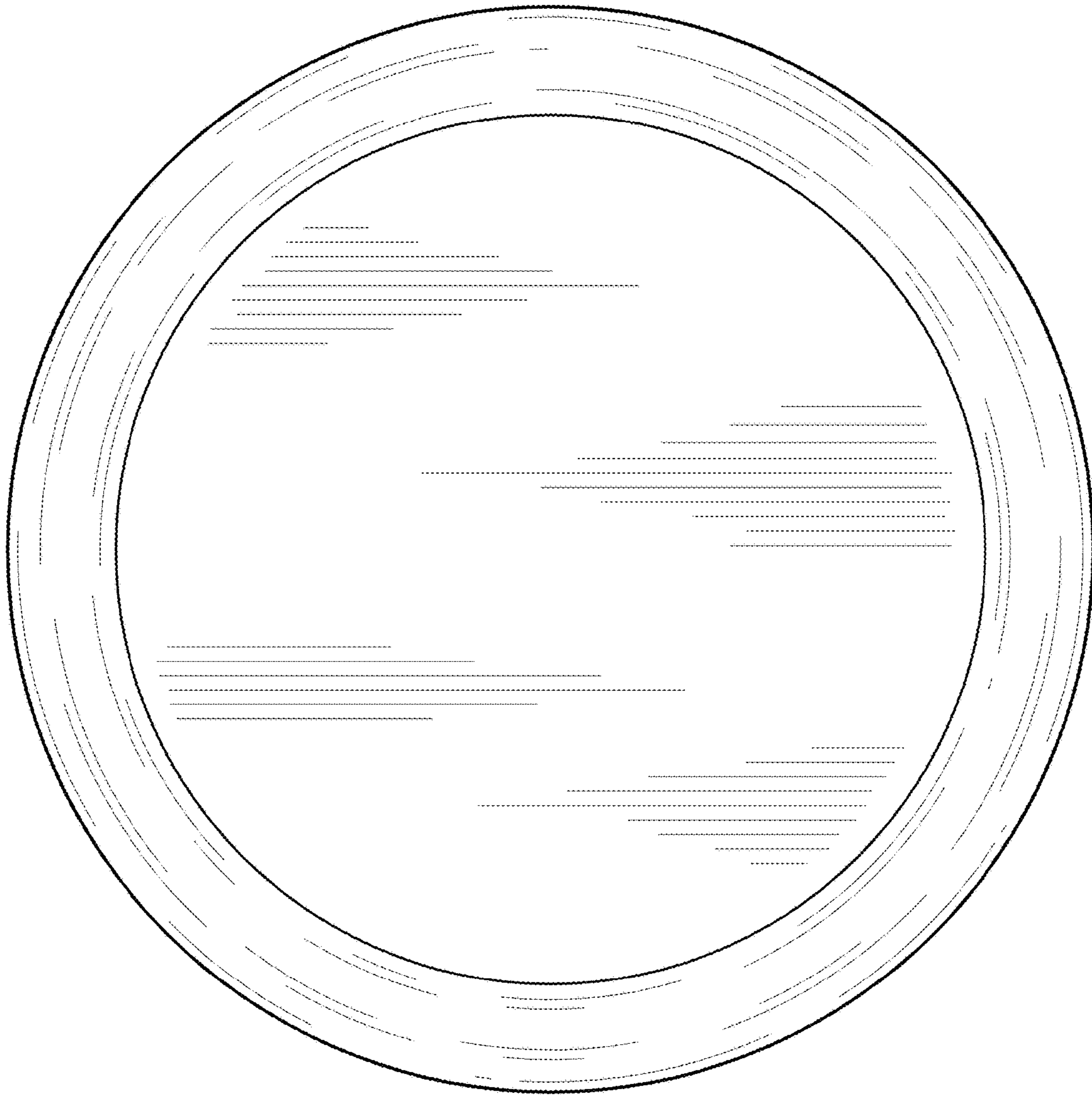


FIG. 8

