



US00D846192S

(12) **United States Design Patent** (10) **Patent No.:** **US D846,192 S**
Wu (45) **Date of Patent:** **** Apr. 16, 2019**

(54) **ELECTRIC HAIR CLIPPER**
(71) Applicant: **NINGBO ICLIPPER ELECTRIC APPLIANCE CO., LTD.**, Ningbo (CN)
(72) Inventor: **Haoze Wu**, Ningbo (CN)
(73) Assignee: **NINGBO ICLIPPER ELECTRIC APPLIANCE CO., LTD.**, Ningbo (CN)
(**) Term: **15 Years**
(21) Appl. No.: **29/612,681**
(22) Filed: **Aug. 3, 2017**
(51) **LOC (11) Cl.** **28-03**
(52) **U.S. Cl.**
USPC **D28/53**
(58) **Field of Classification Search**
USPC D28/49-54
CPC . B26B 19/3853-19/386; B26B 19/10-19/107;
B26B 19/00-19/08; B26B 19/20-19/205
See application file for complete search history.

(56) **References Cited**
U.S. PATENT DOCUMENTS
D435,936 S * 1/2001 Long D28/54
D445,541 S * 7/2001 Wursthorn D28/53
D571,504 S * 6/2008 Long D28/54

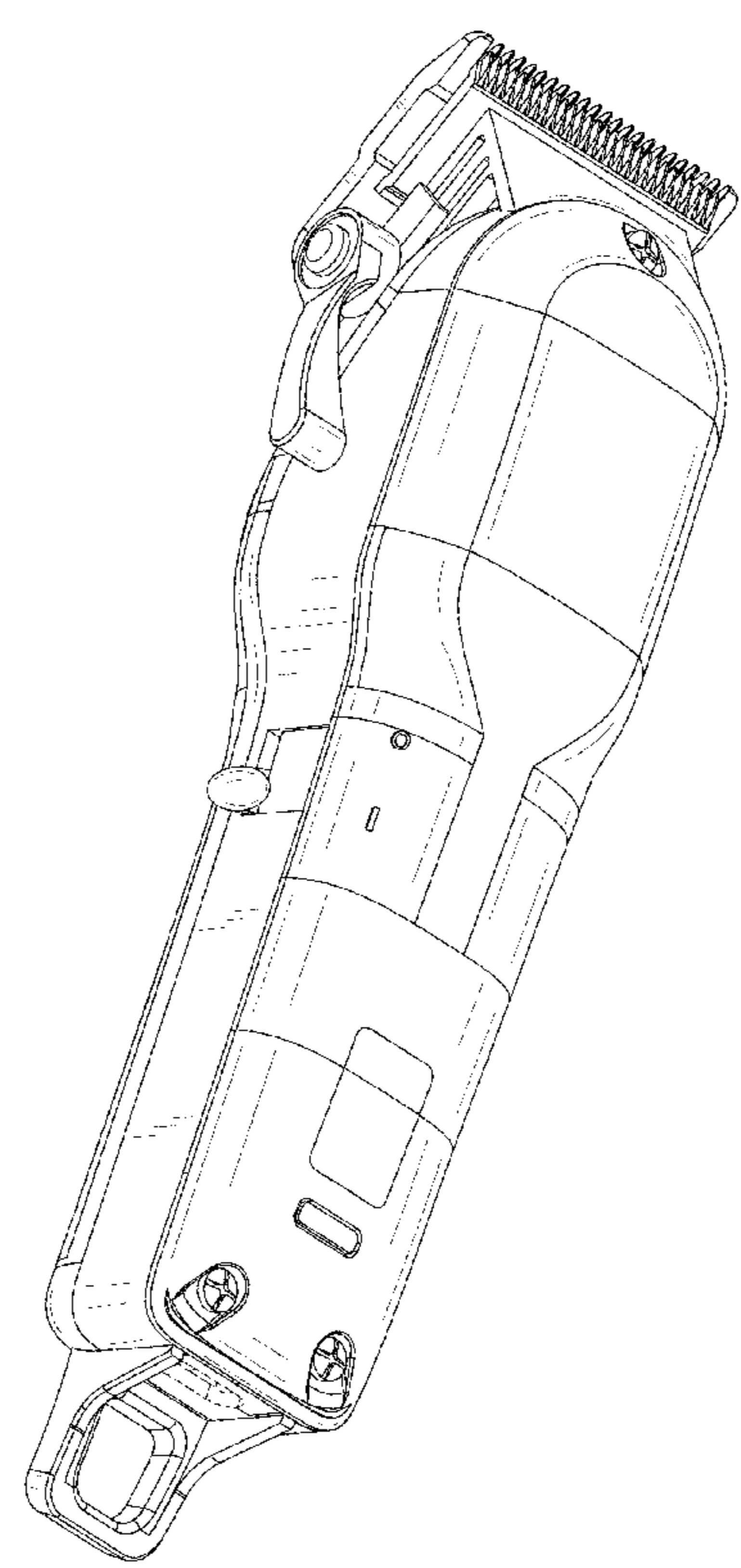
D622,907 S * 8/2010 Schwer D28/53
D715,489 S * 10/2014 Aulwes D28/54
D715,490 S * 10/2014 Aulwes D28/54
9,038,276 B2 * 5/2015 Arndt B26B 19/3866
30/208
D811,660 S * 2/2018 Zachrich D28/54
2013/0200823 A1 * 8/2013 Chan H02K 33/16
318/3
2017/0305021 A1 * 10/2017 Skuhra B26B 19/3866

* cited by examiner
Primary Examiner — Jennifer Rivard
(74) *Attorney, Agent, or Firm* — W&K IP

(57) **CLAIM**
The ornamental design for electric hair clipper, as shown and described.

DESCRIPTION
FIG. 1 is a perspective view of a electric hair clipper, showing my new design;
FIG. 2 is a front view thereof;
FIG. 3 is a back view thereof;
FIG. 4 is a left side view thereof;
FIG. 5 is a right side view thereof;
FIG. 6 is a top plan view thereof; and,
FIG. 7 is a bottom plan view thereof.
The broken lines shown in the figures are included for the purpose of illustrating portions of the electric hair clipper which form no part of the claimed design.

1 Claim, 7 Drawing Sheets



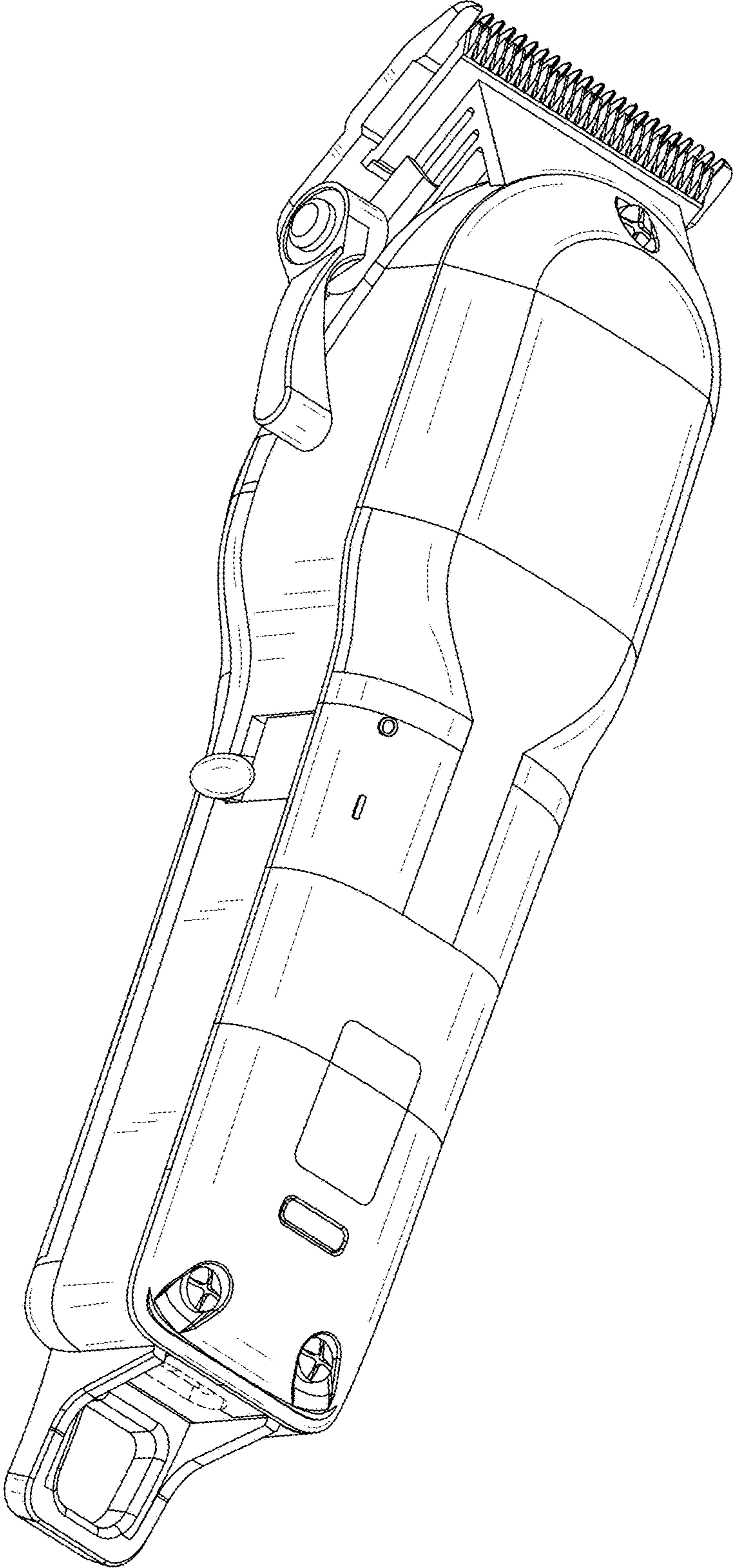


FIG.1

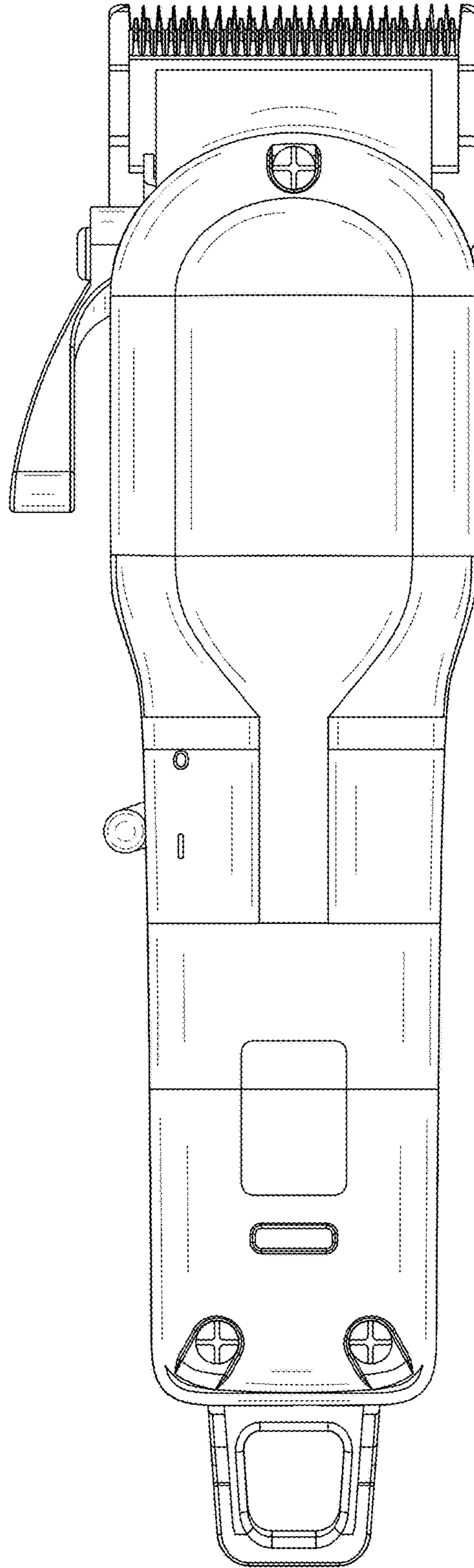


FIG.2

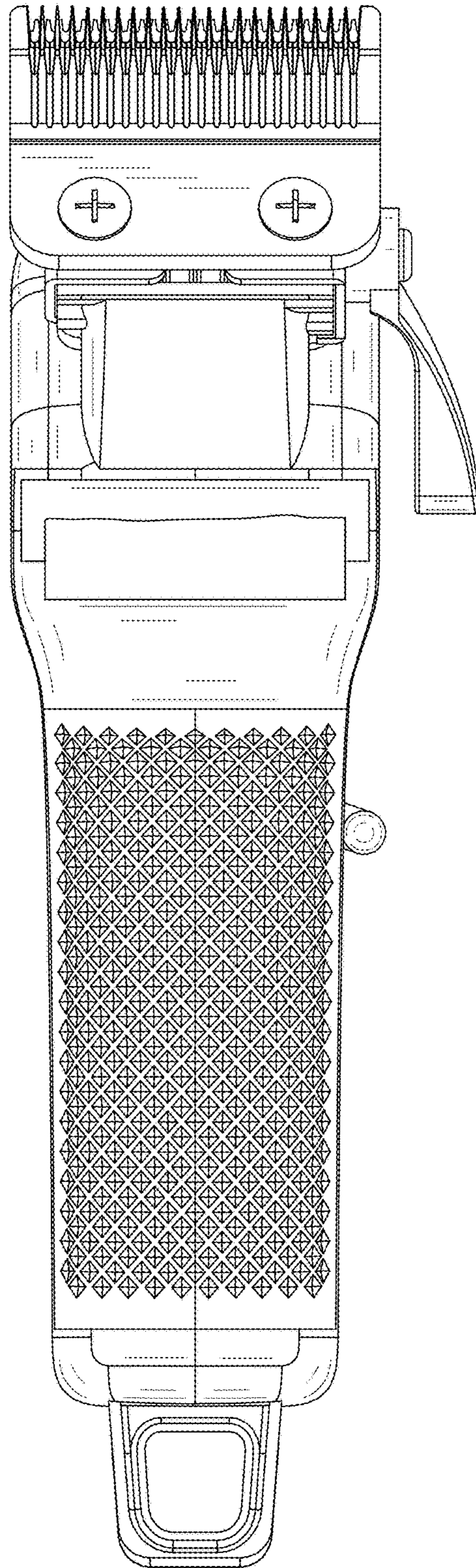


FIG.3

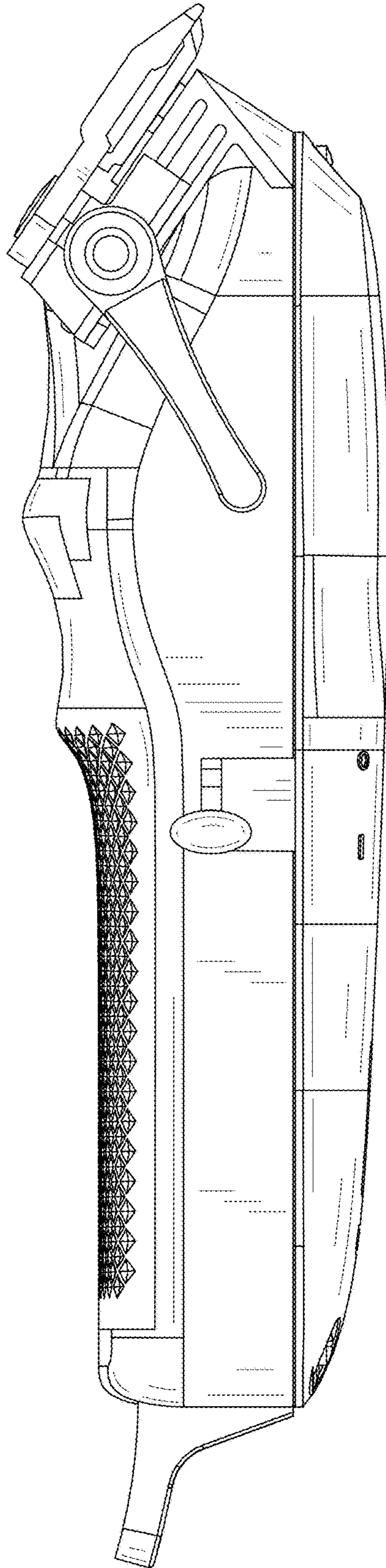


FIG.4

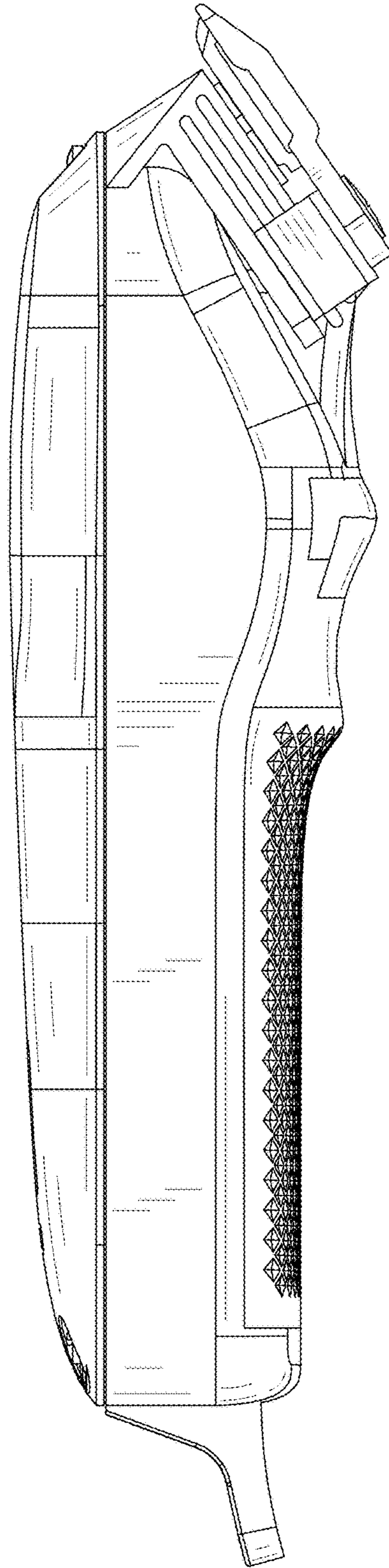


FIG.5

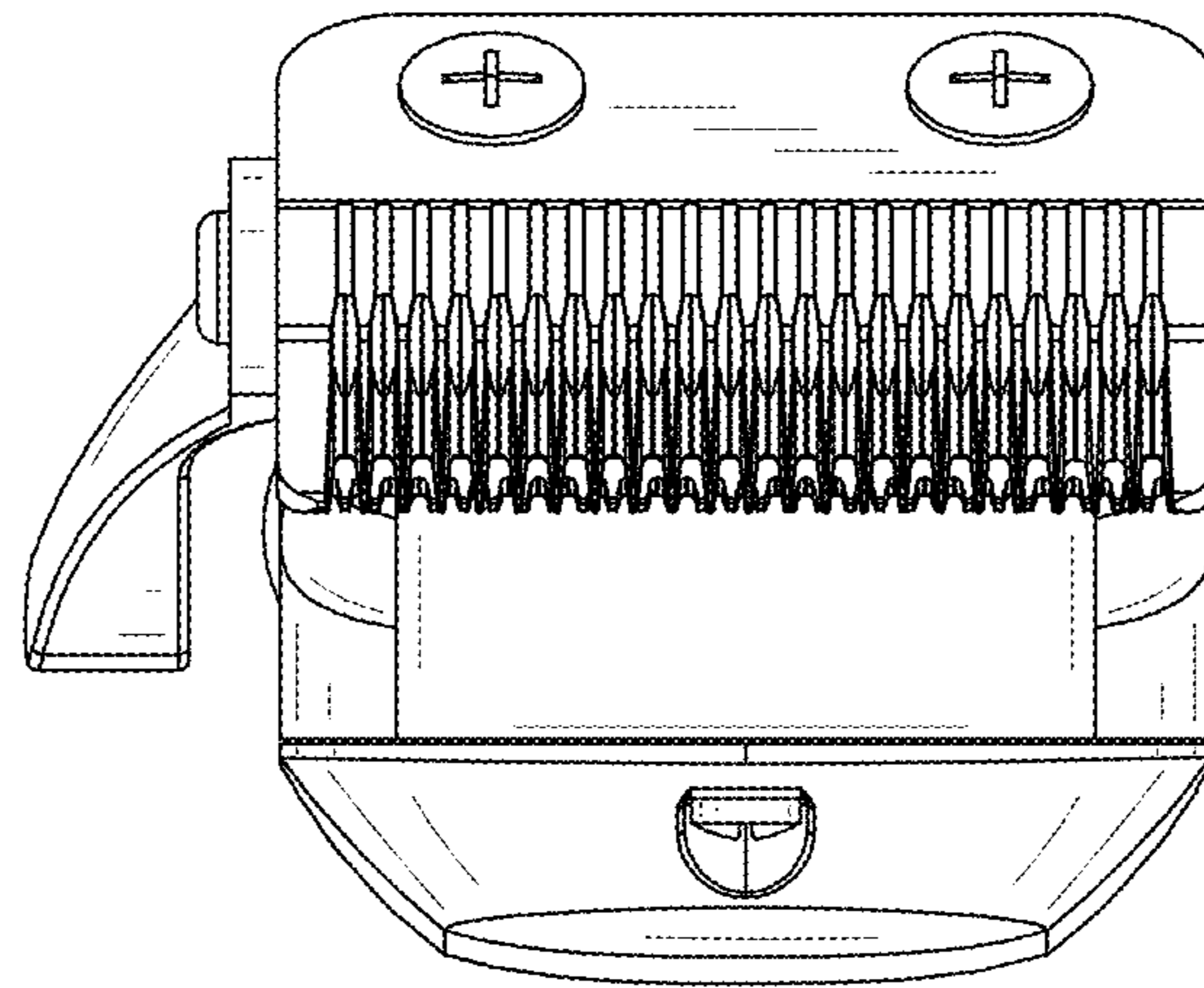


FIG.6

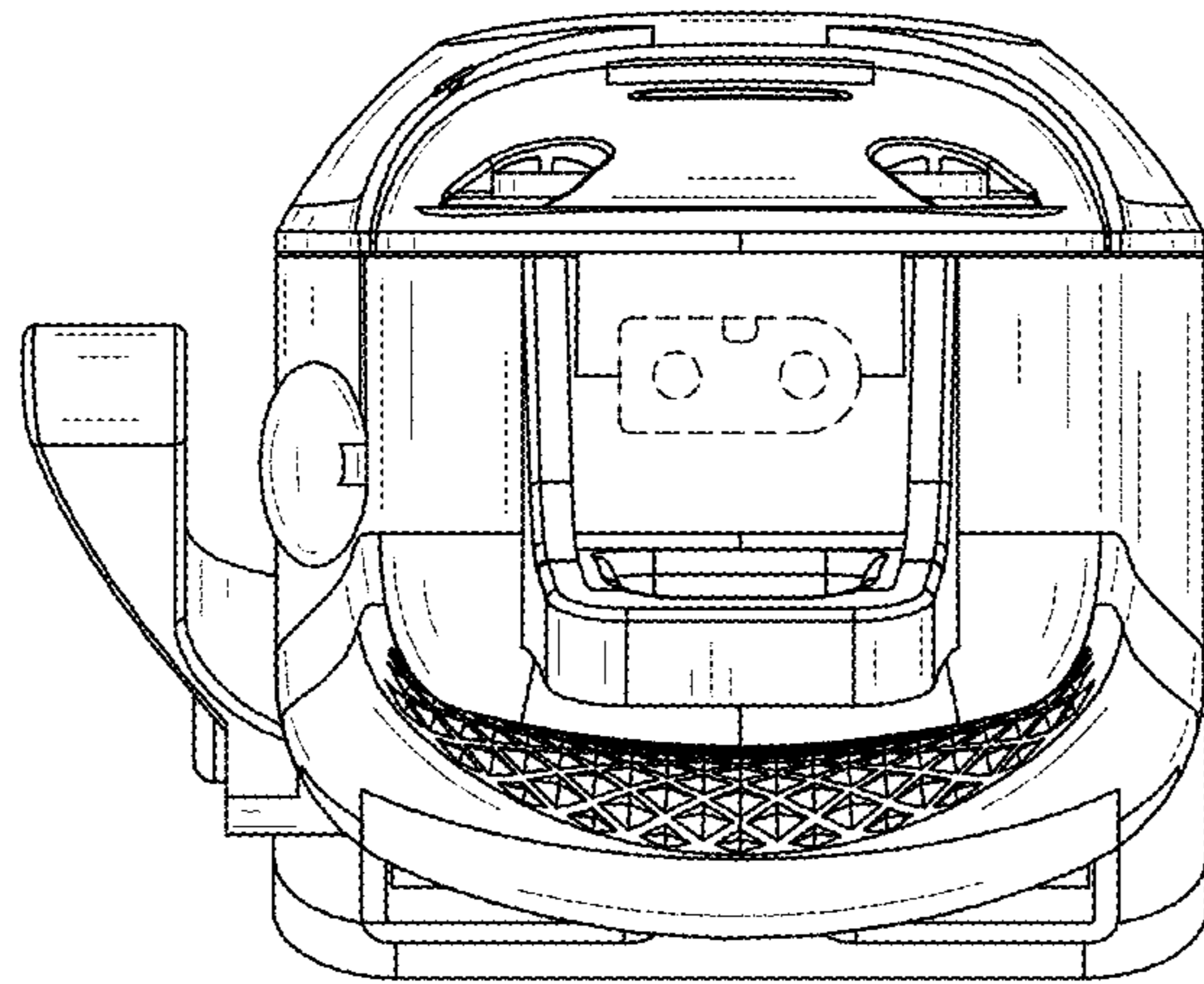


FIG.7