

US00D846191S

(12) **United States Design Patent** (10) **Patent No.:** **US D846,191 S**
Zuckerman et al. (45) **Date of Patent:** **** Apr. 16, 2019**

- (54) **DETERGENT/CLEANING PACKET**
- (71) Applicant: **Jempak Corporation**, Concord (CA)
- (72) Inventors: **Charles Zuckerman**, Concord (CA);
Emil Tarnowsky, Concord (CA)
- (73) Assignee: **Jempak Corporation**, Concord,
Ontario (CA)
- (**) Term: **15 Years**
- (21) Appl. No.: **29/667,604**
- (22) Filed: **Oct. 23, 2018**

Related U.S. Application Data

- (62) Division of application No. 29/637,591, filed on Feb. 20, 2018, which is a division of application No. 29/543,284, filed on Oct. 22, 2015, now Pat. No. Des. 814,108.
- (51) **LOC (11) Cl.** **28-02**
- (52) **U.S. Cl.**
USPC **D28/8.1**
- (58) **Field of Classification Search**
USPC D28/8.1-8.2; D9/415
CPC C11D 17/0047-17/006; C11D
17/0065-17/0091; C11D 17/0095; C11D
17/00-17/0039
See application file for complete search history.

(56) **References Cited**

U.S. PATENT DOCUMENTS

- D101,888 S * 11/1936 Ringold D28/8.1
- D260,301 S * 8/1981 O'Connor D28/8.1
- 5,250,210 A * 10/1993 Von Culin C11D 13/16
510/143

- D420,763 S * 2/2000 Forward D28/8.1
- D431,094 S * 9/2000 Forward D28/8.1
- D537,201 S * 2/2007 McLeish D28/8.1
- D687,182 S * 7/2013 Gordon D28/8.1
- D812,812 S * 3/2018 Zuckerman D28/8.1
- D814,108 S * 3/2018 Zuckerman D28/8.1
- 2007/0270322 A1 * 11/2007 Pak C11D 17/0047
510/141

* cited by examiner

Primary Examiner — Jennifer Rivard

(74) *Attorney, Agent, or Firm* — Gilbert's LLP; Matthew Powell

(57) **CLAIM**

The ornamental design for a detergent/cleaning packet, as shown and described.

DESCRIPTION

FIG. 1 is a perspective view of the detergent/cleaning packet, in accordance with the design;
 FIG. 2 is a top view of the detergent/cleaning packet of FIG. 1;
 FIG. 3 is a first end view of the detergent/cleaning packet of FIG. 1;
 FIG. 4 is a second end view of the detergent/cleaning packet of FIG. 1;
 FIG. 5 is a first side view of the detergent/cleaning packet of FIG. 1;
 FIG. 6 is a second side view of the detergent/cleaning packet of FIG. 1; and,
 FIG. 7 is a bottom view of the detergent/cleaning packet of FIG. 1.

The portions of the detergent/cleaning packet shown in broken lines are for purposes of illustration only and do not form part of the design.

1 Claim, 1 Drawing Sheet

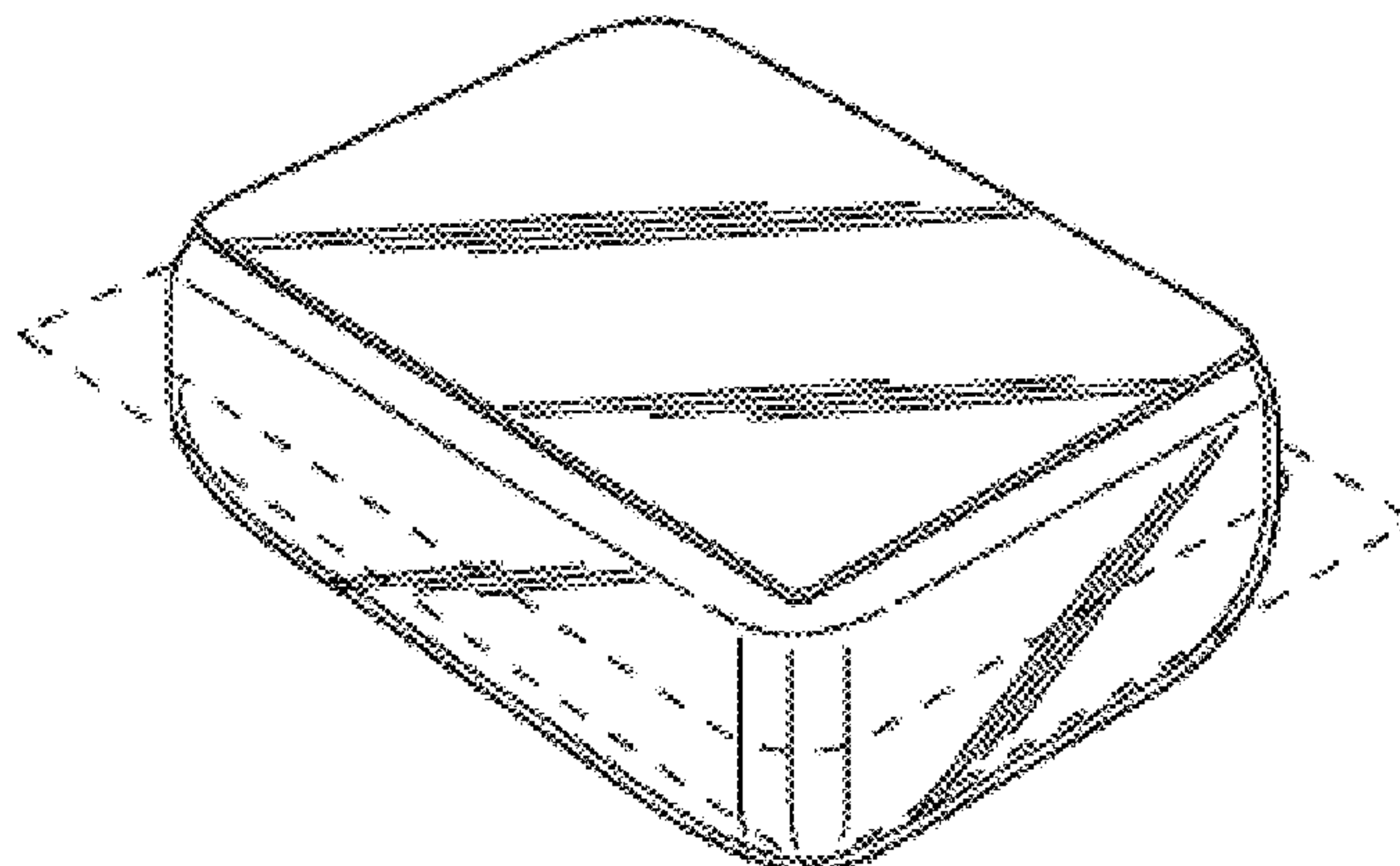


Fig. 1

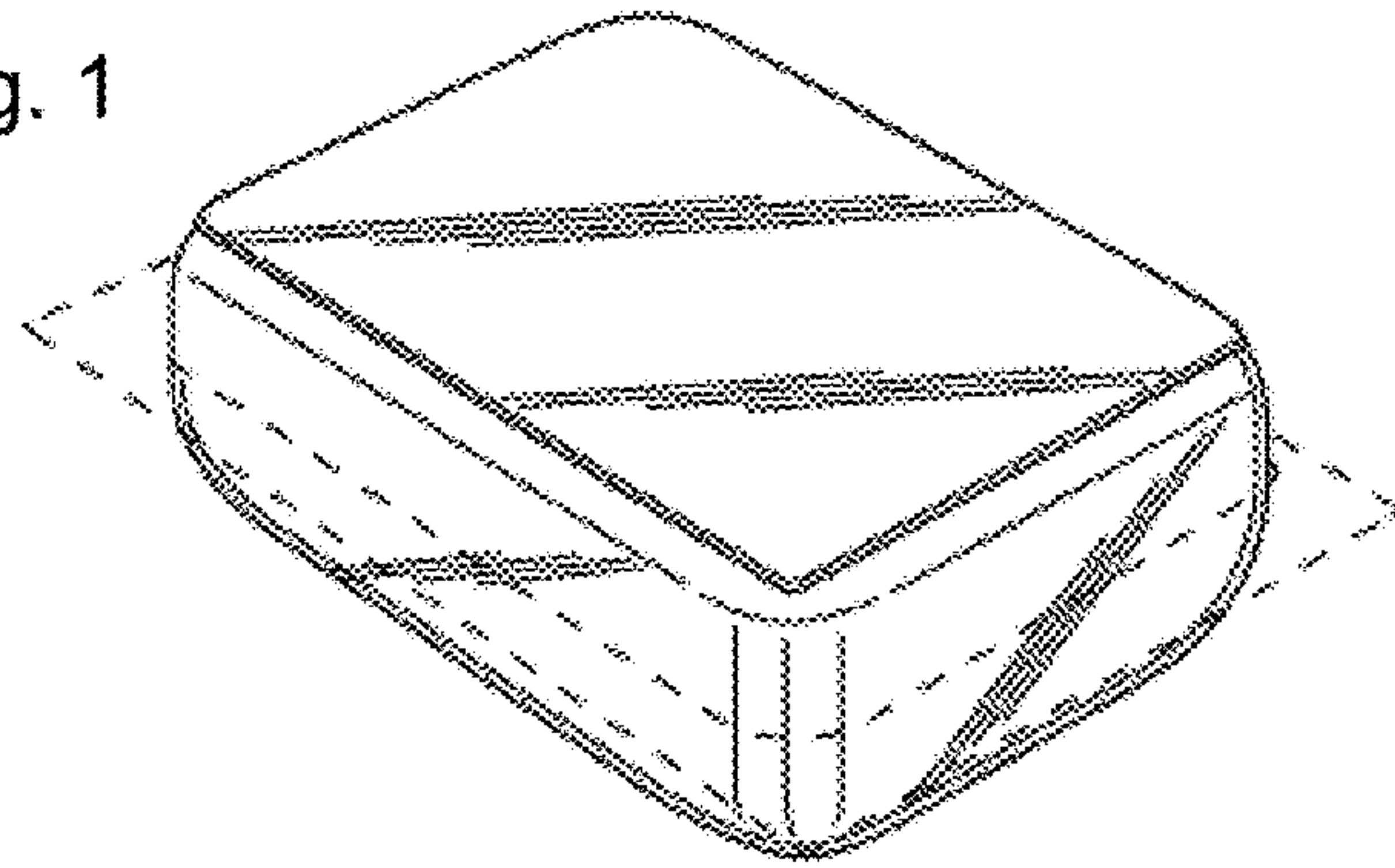


Fig. 2

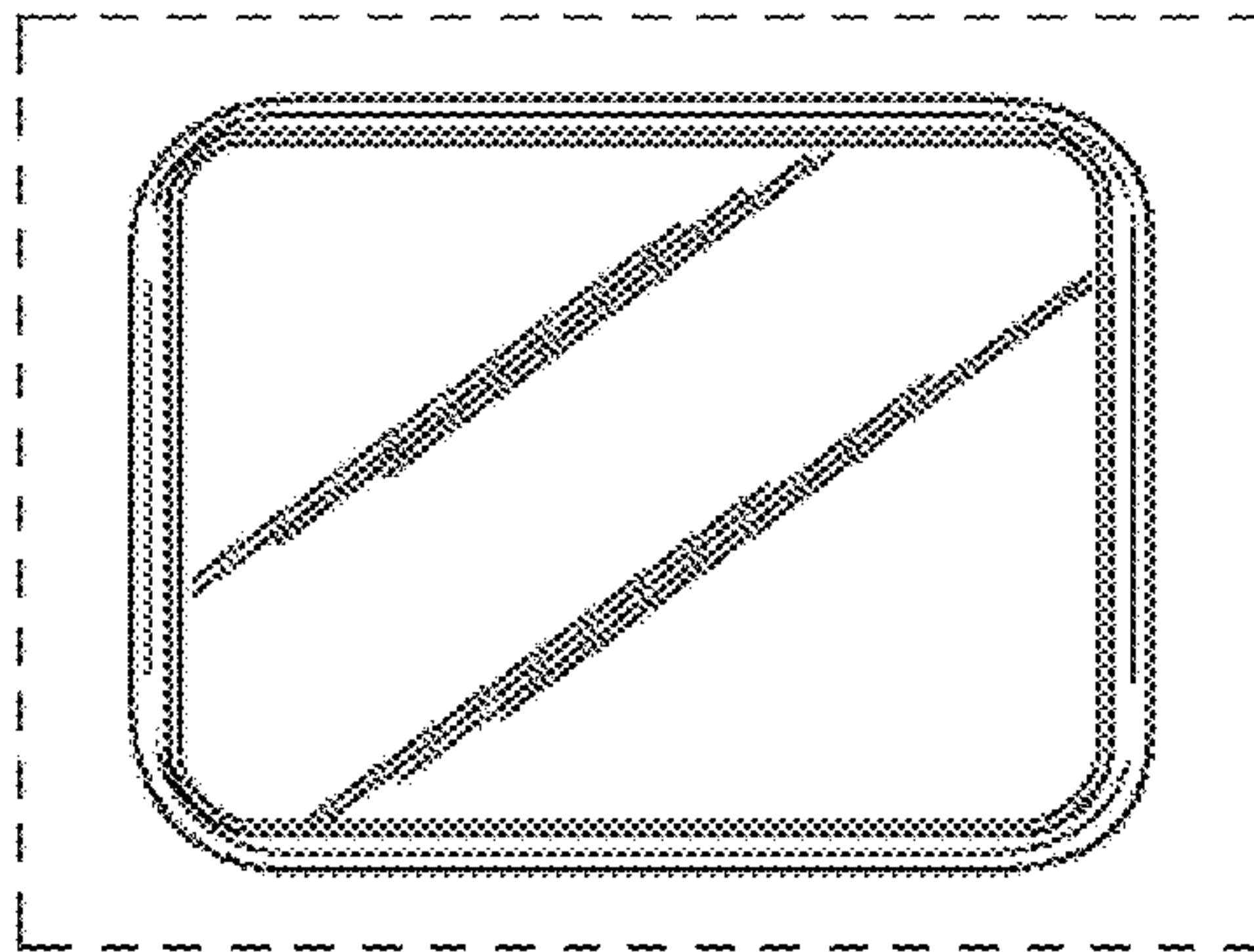


Fig. 3

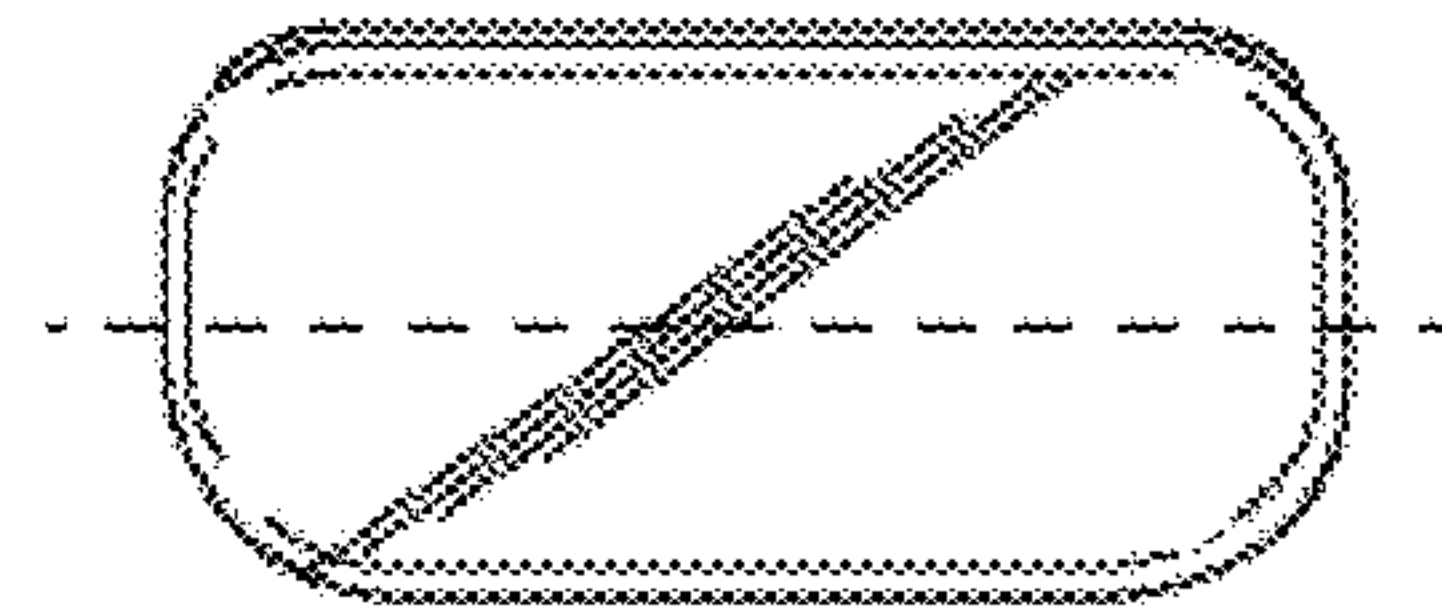


Fig. 4

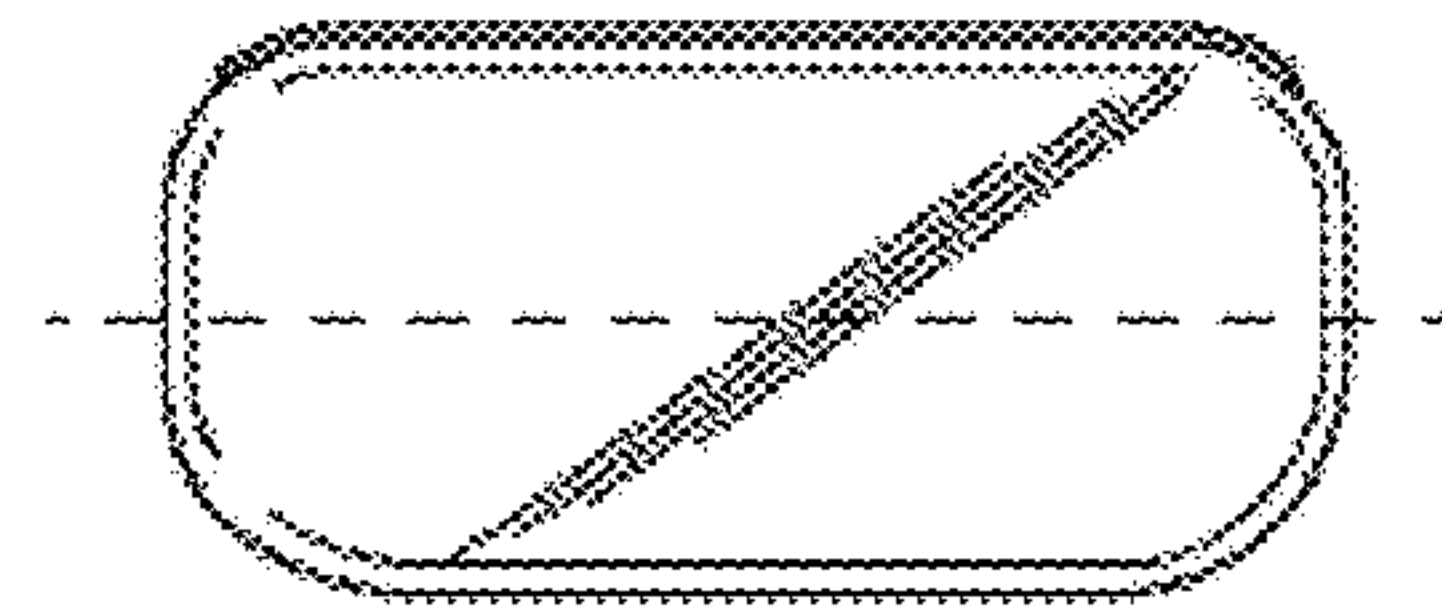


Fig. 5

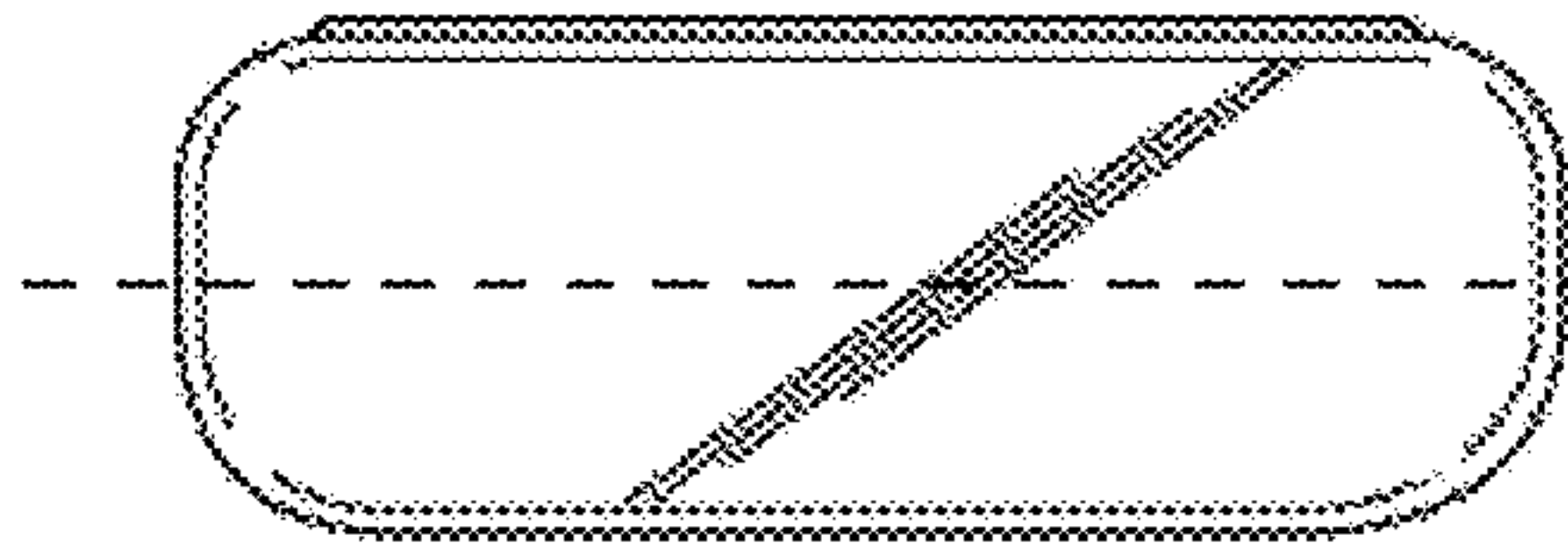


Fig. 6

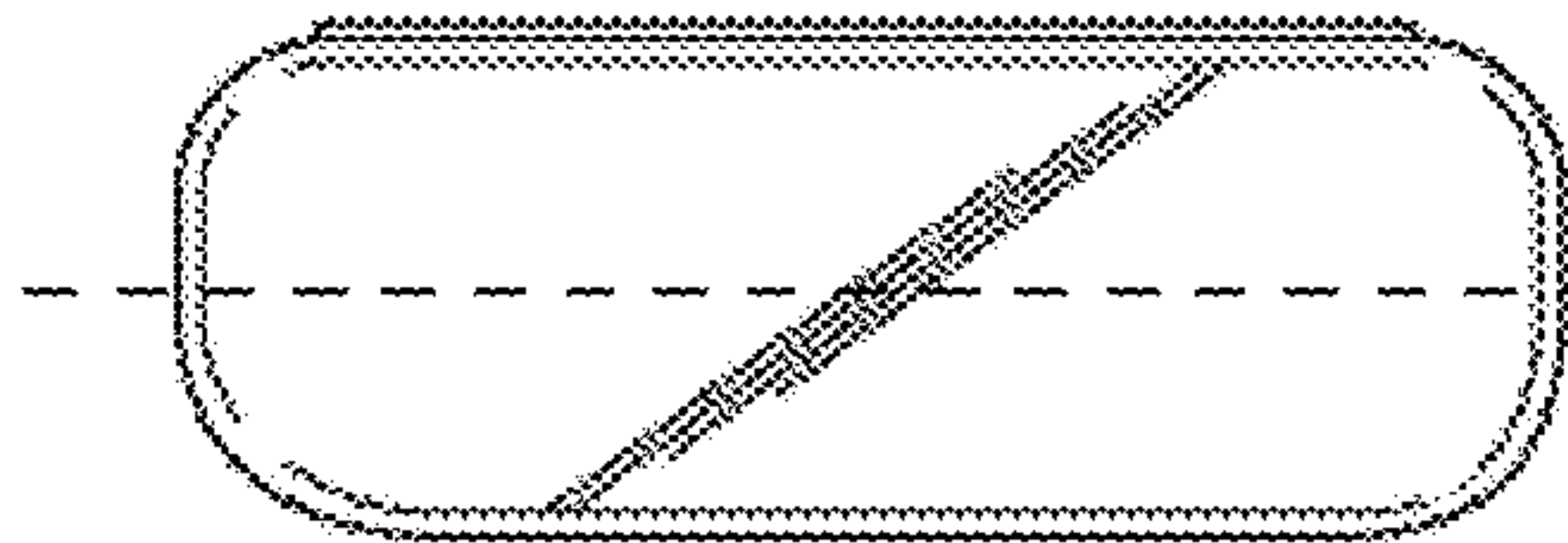


Fig. 7

