

US00D846189S

(12) **United States Design Patent** (10) **Patent No.:** **US D846,189 S**  
**Bahadoorsingh** (45) **Date of Patent:** **\*\* Apr. 16, 2019**

(54) **MULTI-CHAMBER DISHWASHER  
DETERGENT PACK**

(71) Applicant: **SUNMAR & ASSOCIATES INC.,**  
Mississauga (CA)

(72) Inventor: **Sunil Kumar Bahadoorsingh, St.**  
Catharines (CA)

(73) Assignee: **NWG-H INC.,** Ontario (CA)

(\*\*) Term: **15 Years**

(21) Appl. No.: **29/633,156**

(22) Filed: **Jan. 12, 2018**

(51) **LOC (11) Cl.** ..... **28-02**

(52) **U.S. Cl.**  
USPC ..... **D28/8.1**

(58) **Field of Classification Search**  
USPC ..... D28/8.1-8.2; D9/415  
CPC ..... C11D 17/0047-17/006; C11D  
17/0065-17/0091; C11D 17/0095; C11D  
17/00-17/0039  
See application file for complete search history.

(56) **References Cited**

**U.S. PATENT DOCUMENTS**

D490,567 S *	5/2004	McLeish	.....	D28/8.1
D679,863 S *	4/2013	Sunder	.....	D28/8.1
D689,240 S *	9/2013	Sunder	.....	D28/8.1
D689,241 S *	9/2013	Gerhards	.....	D28/8.1
D691,326 S *	10/2013	Gerhards	.....	D28/8.1
D728,157 S *	4/2015	Sarb	.....	D28/8.1
D759,891 S *	6/2016	Sarb	.....	D28/8.1
D774,249 S *	12/2016	McLenithan	.....	D28/8.1
D774,251 S *	12/2016	McLenithan	.....	D28/8.1

D777,373 S *	1/2017	Sunder	.....	D28/8.1
D783,203 S *	4/2017	Johnson	.....	D28/8.1
D809,200 S *	1/2018	Reda	.....	D28/8.1
D809,201 S *	1/2018	Reda	.....	D28/8.1
D809,708 S *	2/2018	Reda	.....	D28/8.1
D809,709 S *	2/2018	Reda	.....	D28/8.1
D809,710 S *	2/2018	Reda	.....	D28/8.1
D812,297 S *	3/2018	Johnson	.....	D28/8.1
D821,029 S *	6/2018	Crivolio	.....	D28/8.1
D821,646 S *	6/2018	Johnson	.....	D28/8.1
D825,847 S *	8/2018	Wissmann	.....	D28/8.1
D829,984 S *	10/2018	Gerhards	.....	D28/8.1
D829,985 S *	10/2018	Eggemeyer	.....	D28/8.1
D832,508 S *	10/2018	Johnson	.....	D28/8.1
2006/0122088 A1 *	6/2006	Sadlowski	.....	C11D 3/2075 510/295
2017/0057716 A1 *	3/2017	Fowler	.....	B65D 65/46

\* cited by examiner

*Primary Examiner* — Jennifer Rivard

(74) *Attorney, Agent, or Firm* — Robert G. Crouch;  
Marsh Fischmann & Breyfogle LLP

(57) **CLAIM**

The ornamental design for the multi-chamber dishwasher detergent pack, as shown and described.

**DESCRIPTION**

FIG. 1 is a perspective view of a multi-chamber dishwasher detergent pack;

FIG. 2 is a front view thereof;

FIG. 3 is a back view thereof;

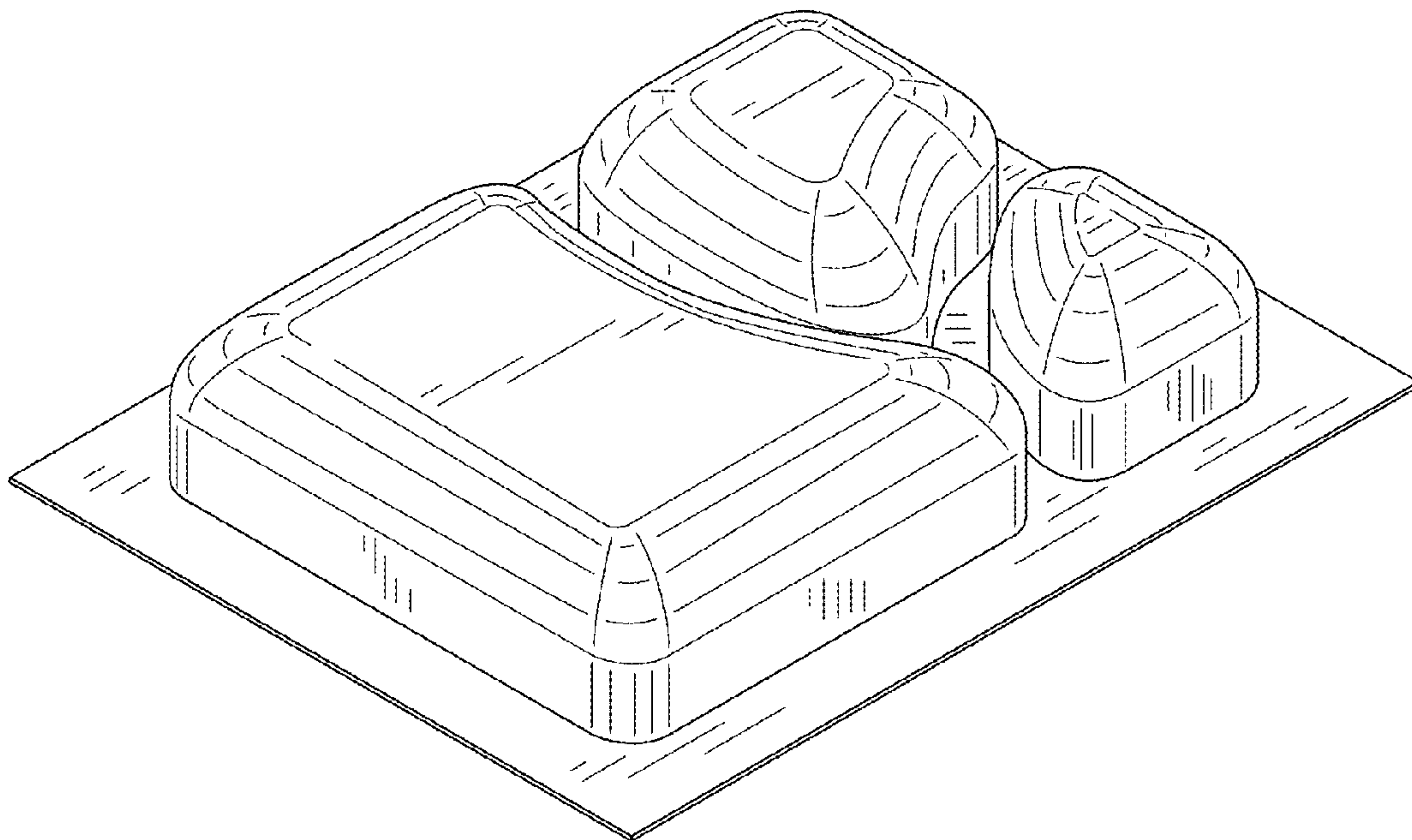
FIG. 4 is a right side view thereof;

FIG. 5 is a left side view thereof;

FIG. 6 is a top view thereof; and,

FIG. 7 is a bottom view thereof.

**1 Claim, 5 Drawing Sheets**



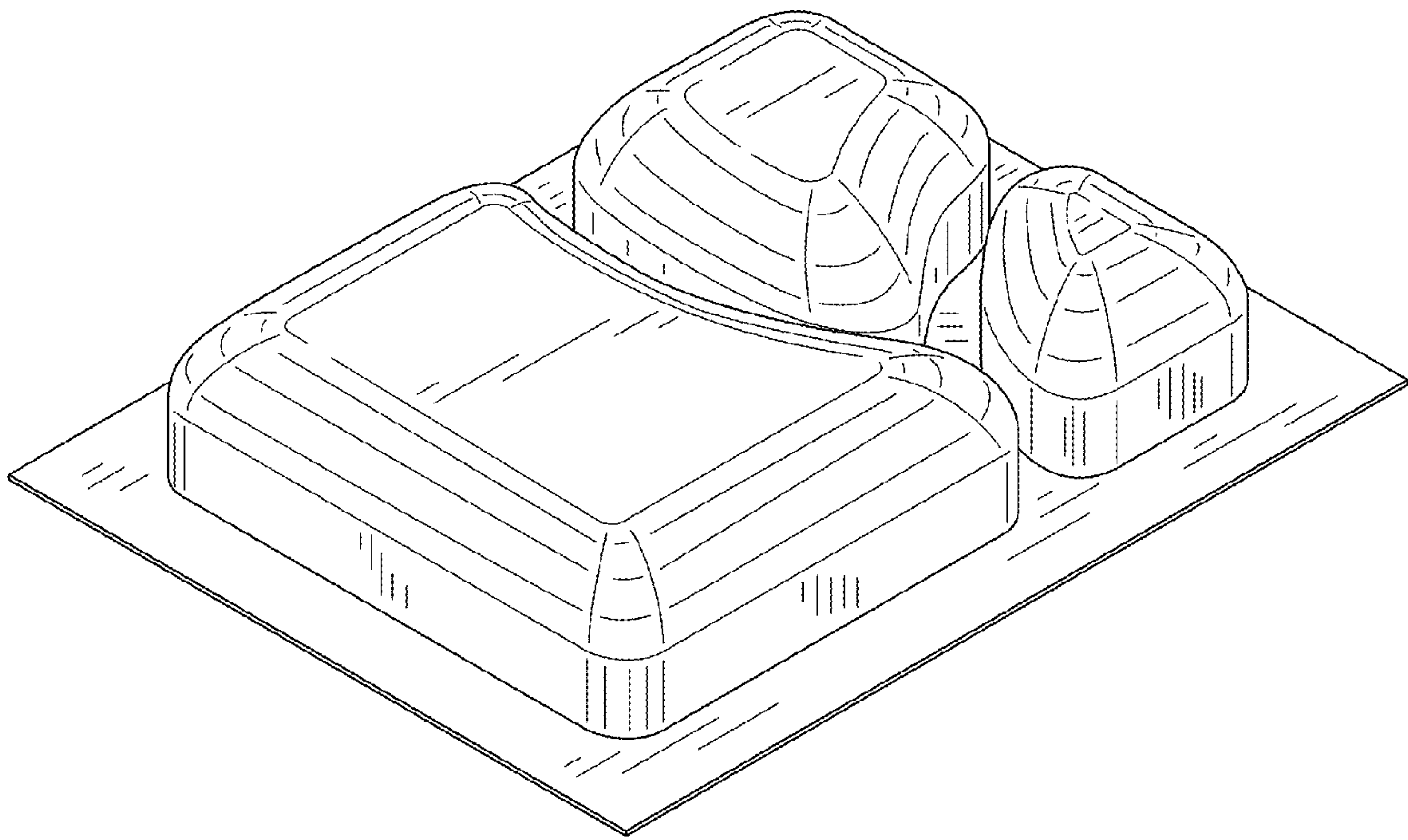


FIG.1

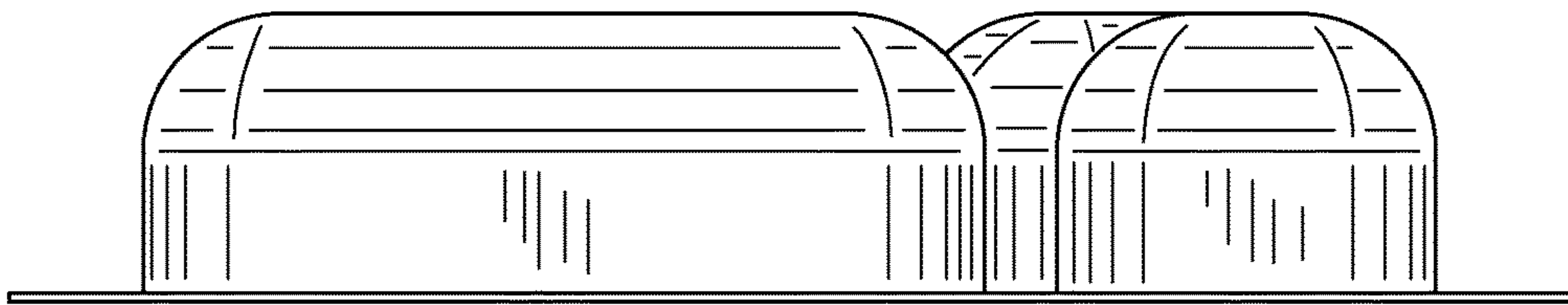


FIG. 2

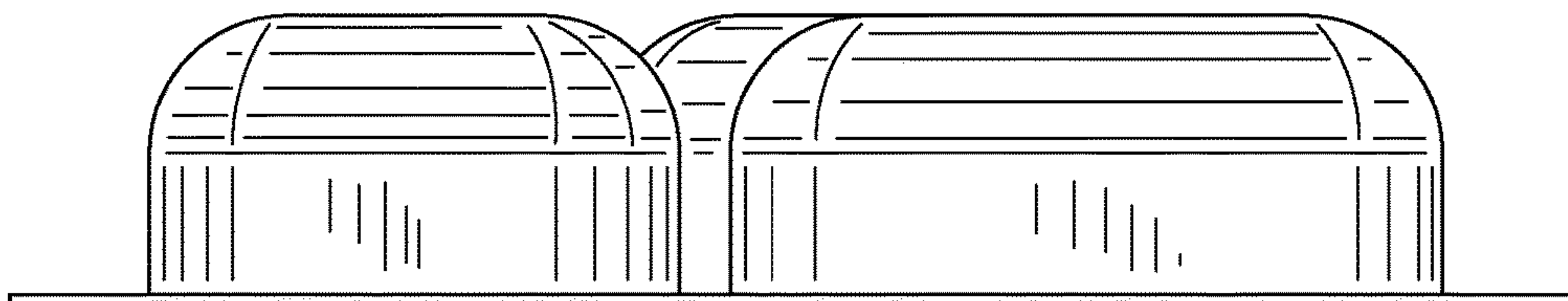


FIG. 3

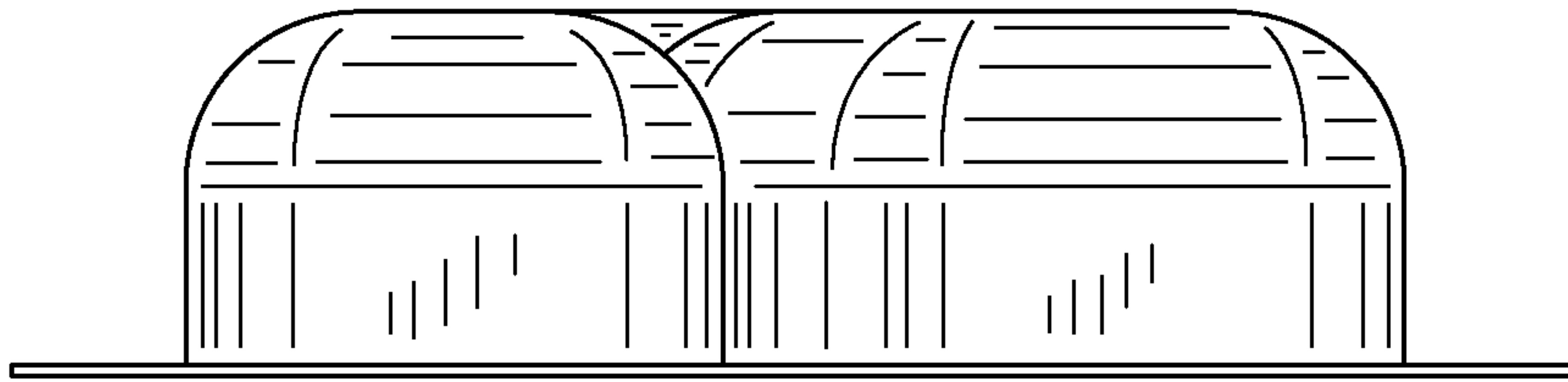


FIG. 4

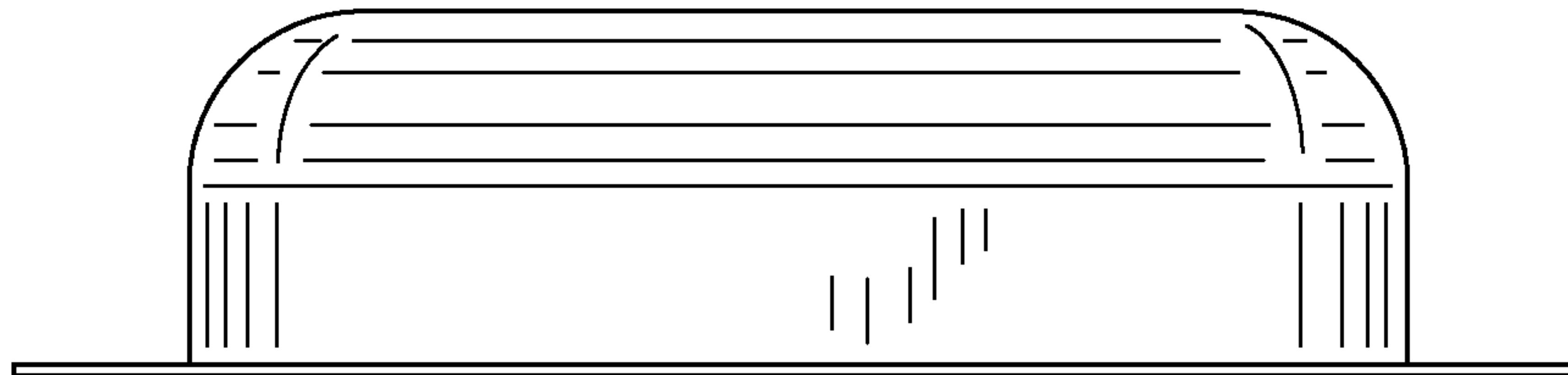


FIG. 5

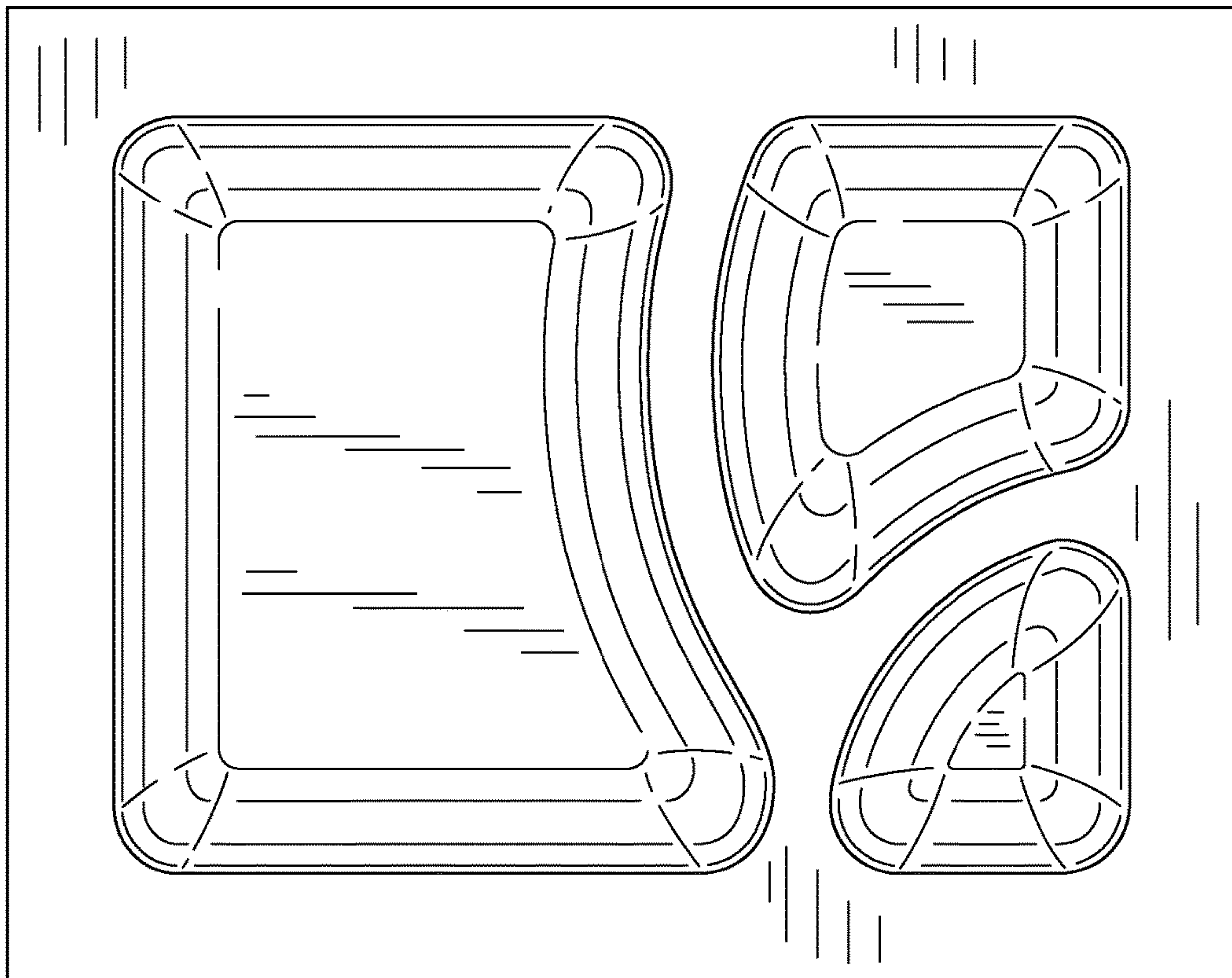


FIG.6

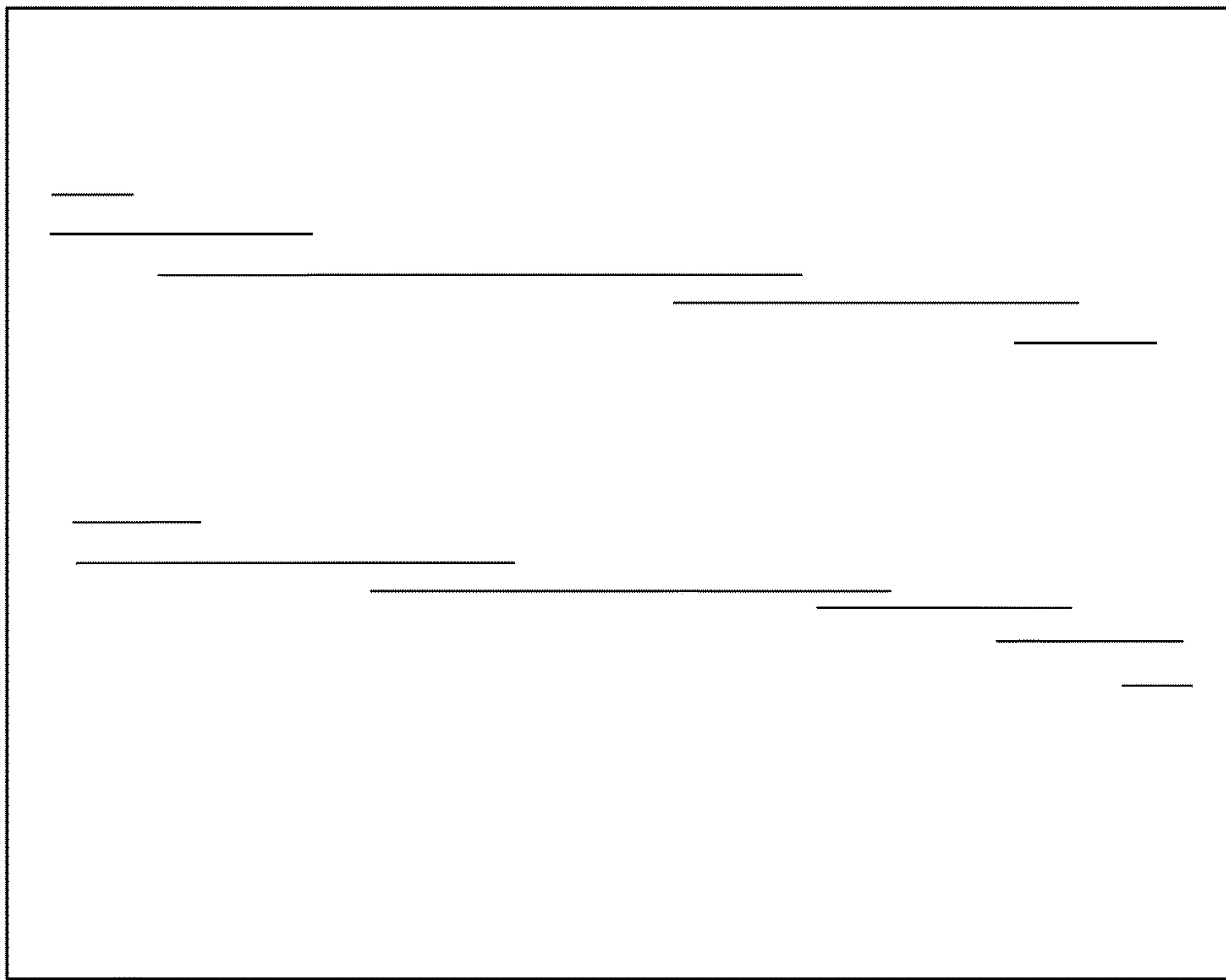


FIG.7