



US00D846188S

(12) **United States Design Patent**
Devore

(10) **Patent No.:** **US D846,188 S**

(45) **Date of Patent:** **** Apr. 16, 2019**

- (54) **CIGAR PERCH AND ASH DECK**
- (71) Applicant: **Benjamin Devore**, Lake Elsinore, CA (US)
- (72) Inventor: **Benjamin Devore**, Lake Elsinore, CA (US)
- (**) Term: **15 Years**
- (21) Appl. No.: **29/603,571**
- (22) Filed: **May 10, 2017**
- (51) **LOC (11) Cl.** **27-06**
- (52) **U.S. Cl.**
USPC **D27/183**
- (58) **Field of Classification Search**
USPC D27/183-193, 72, 180, 172, 102;
131/187, 190
CPC A24F 19/0035; A24F 19/0014; A24F
19/0028; A24F 19/00; A24F 19/105
See application file for complete search history.

- D545,490 S * 6/2007 Tai D27/135
- D550,898 S * 9/2007 Burkholder D27/183
- D685,650 S * 7/2013 Pipes D27/189
- 8,622,217 B2 * 1/2014 Duner A24F 19/0028
131/231
- D737,509 S * 8/2015 Now D27/194
- D753,875 S * 4/2016 Corcoran D27/183
- D761,488 S * 7/2016 Alarcon D27/135
- D790,128 S * 6/2017 Khoury D27/183
- D805,249 S * 12/2017 Casalino D27/183

* cited by examiner

Primary Examiner — Susan Bennett Hattan

Assistant Examiner — Rebecca Tsehaye

(74) *Attorney, Agent, or Firm* — Kenneth P. Avila

(57) **CLAIM**

I claim ornamental design for a cigar perch and ash deck, as shown and described.

DESCRIPTION

FIG. 1 is a perspective view of my new design for a cigar perch and ash deck;

FIG. 2 is a top plan view thereof; and,

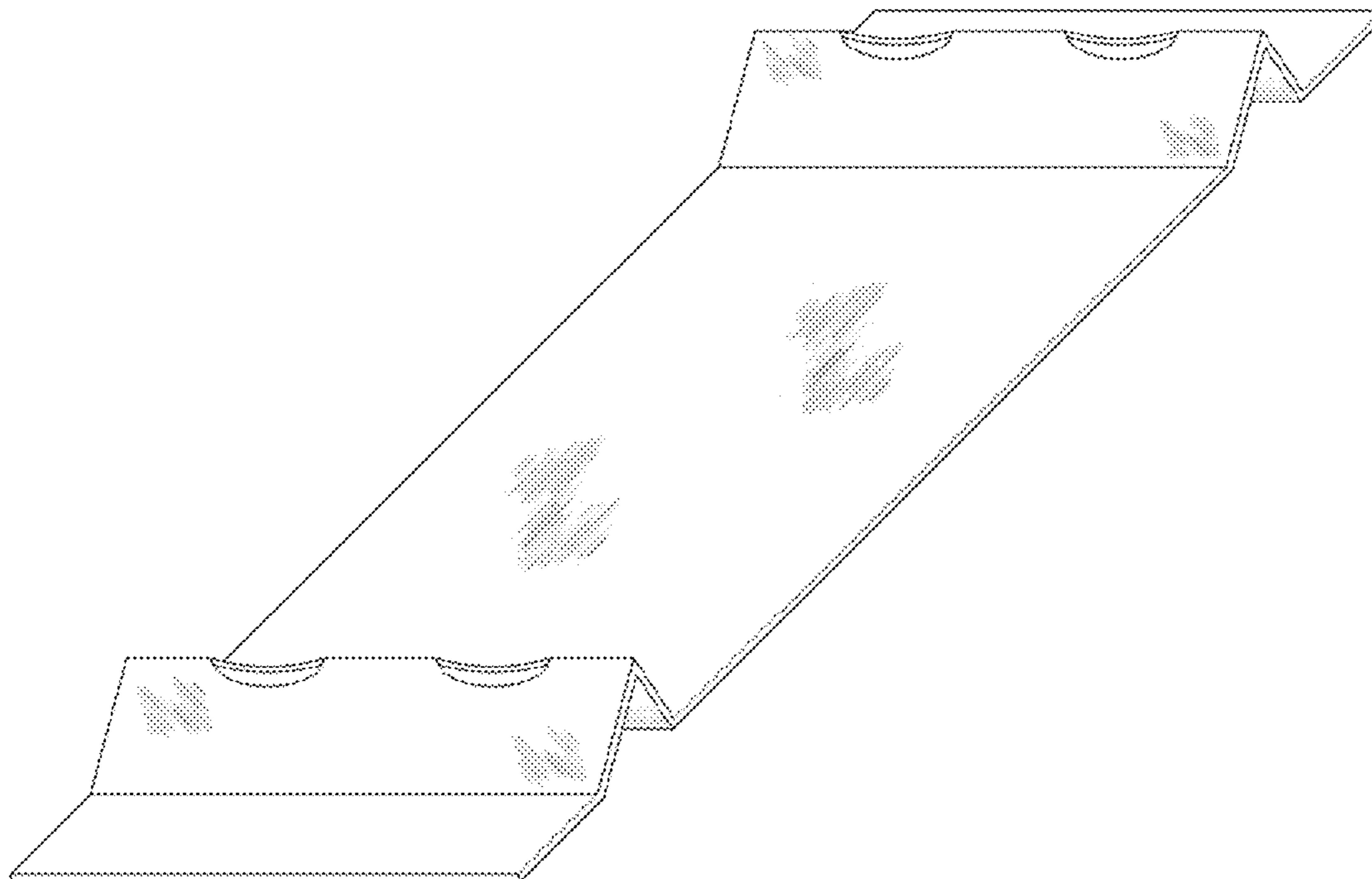
FIG. 3 is a right side elevation view thereof; the left side being identical.

The dashed lines in the drawings depict environment that forms no part of the claimed design.

1 Claim, 3 Drawing Sheets

(56) **References Cited**
U.S. PATENT DOCUMENTS

- 5,601,095 A * 2/1997 Bright A24F 19/00
131/231
- D387,473 S * 12/1997 Angelakos D27/135
- D527,841 S * 9/2006 Schorkmayr D27/183



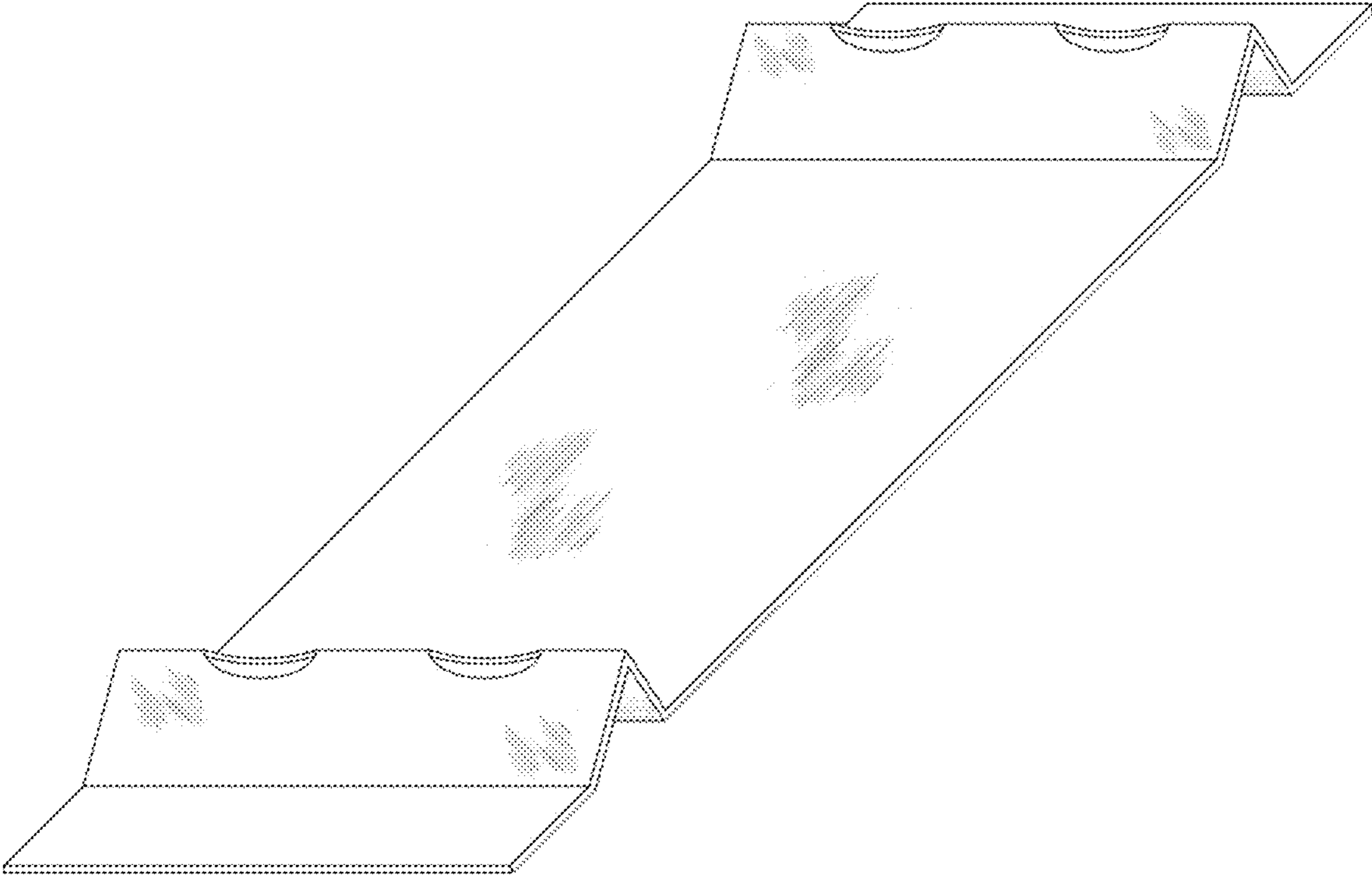


FIG. 1

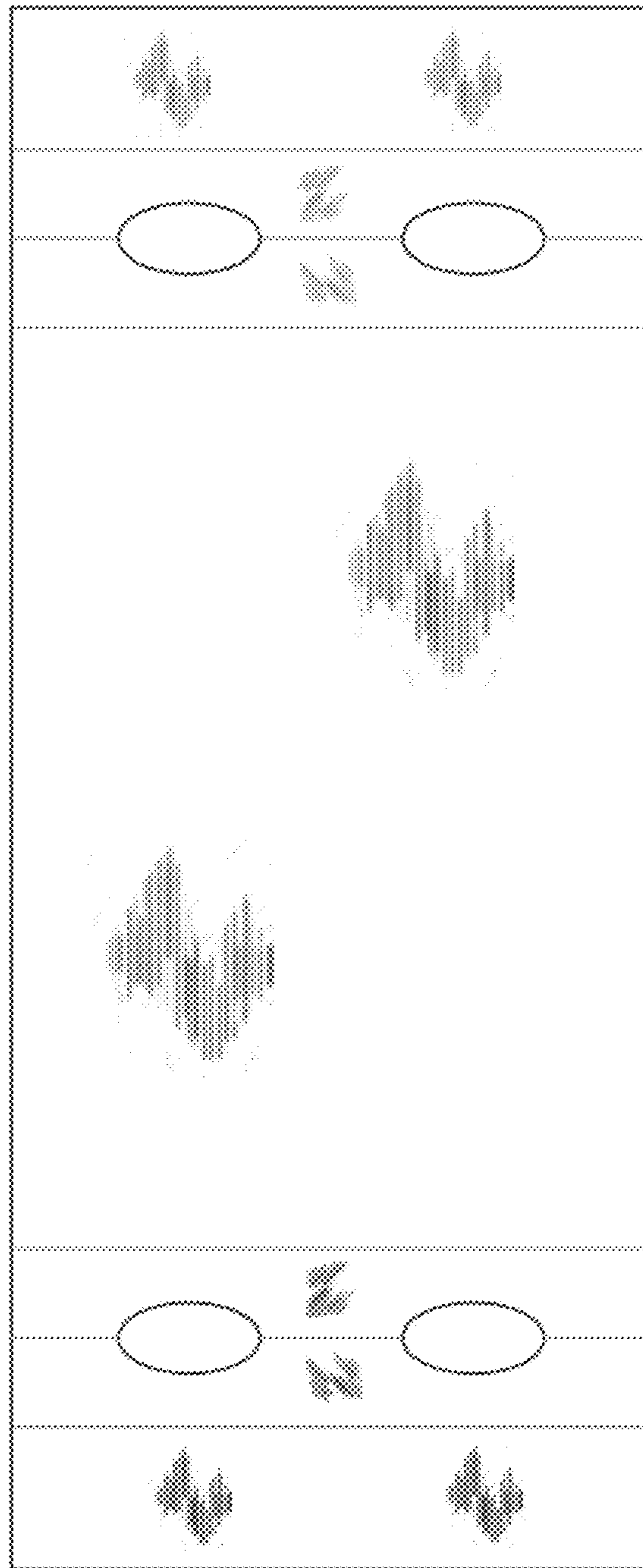


FIG. 2



FIG. 3