



US00D846187S

(12) **United States Design Patent** (10) **Patent No.:** **US D846,187 S**
Hoch et al. (45) **Date of Patent:** **** Apr. 16, 2019**

(54) **SMOKING APPARATUS**
(71) Applicant: **Eyce LLC**, Bend, OR (US)
(72) Inventors: **Charles V. Hoch**, Bend, OR (US);
Bruce H. Hoch, Bend, OR (US)
(73) Assignee: **Eyce LLC**, Bend, OR (US)
(**) Term: **15 Years**
(21) Appl. No.: **29/611,737**
(22) Filed: **Jul. 25, 2017**
(51) **LOC (11) Cl.** **27-02**
(52) **U.S. Cl.**
USPC **D27/162**
(58) **Field of Classification Search**
USPC D27/100, 103, 162-164, 167-170, 194;
D11/154, 157; D23/360; 131/173,
131/329-331, 335
CPC A24F 1/30; A24F 1/02; A24F 1/00; A24F
47/008; A24F 47/002
See application file for complete search history.

D757,355 S * 5/2016 al Arja D27/162
D757,357 S * 5/2016 Helfrich D27/167
D759,305 S * 6/2016 Gamble, Jr. D27/170
D806,945 S * 1/2018 Lepper D27/163

FOREIGN PATENT DOCUMENTS

CN 3010373742 12/2009
CN 302311386 S 1/2013
CN 302311389 1/2013
CN 303544998 1/2016
CN 303972355 S 9/2016

(Continued)

Primary Examiner — Susan Bennett Hattan
Assistant Examiner — Rebecca Tsehaye
(74) *Attorney, Agent, or Firm* — Dorsey & Whitney LLP

(57) **CLAIM**

We claim the ornamental design for a smoking apparatus, substantially as shown and described.

DESCRIPTION

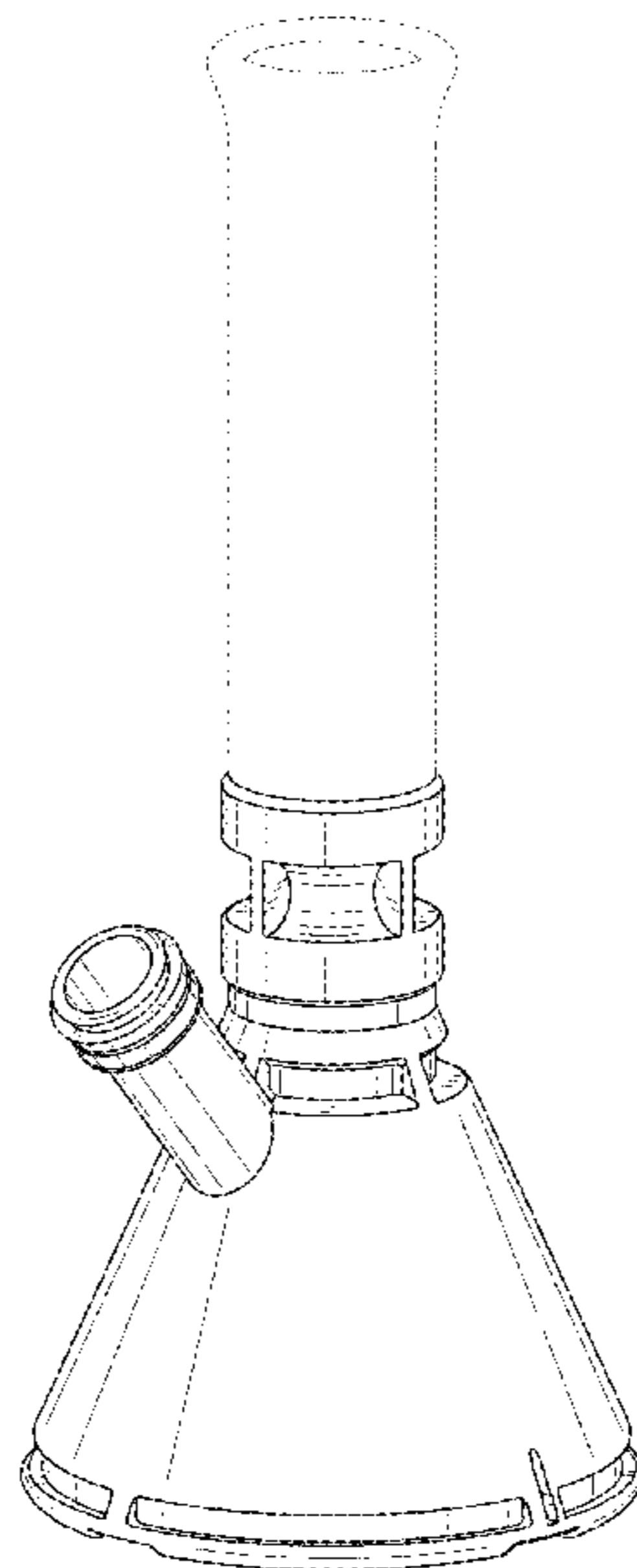
FIG. 1 is a perspective view of a smoking apparatus in accordance with the present invention; FIG. 2 is a left side view of FIG. 1; FIG. 3 is a right side view of FIG. 1; FIG. 4 is a front view of FIG. 1; FIG. 5 is a back view of FIG. 1; FIG. 6 is a top view of FIG. 1; FIG. 7 is a bottom view of FIG. 1; FIG. 8 is a cross-section view of the smoking apparatus illustrated in FIG. 1 by line 8-8 of FIG. 6; and, FIG. 9 is an exploded view of the smoking apparatus illustrated in FIG. 1.
The broken lines in the drawings depict portions of the smoking apparatus that form no part of the claimed design. The article of manufacture to which the ornamental design has been applied is a smoking apparatus or a novelty item.

1 Claim, 6 Drawing Sheets

(56) **References Cited**

U.S. PATENT DOCUMENTS

D358,227 S * 5/1995 Heine D27/162
D368,325 S * 3/1996 Heine D27/162
D442,327 S * 5/2001 Neason D27/162
D539,978 S * 4/2007 Kassir D27/162
D554,797 S * 11/2007 Kassir D27/162
D561,388 S 2/2008 Kassir
D636,849 S * 4/2011 Yoo D23/213
D638,984 S * 5/2011 Gould D27/163
D722,720 S * 2/2015 Garbo D27/162
D736,644 S * 8/2015 Hamilton D27/162
D754,392 S * 4/2016 Helou D27/162
D755,439 S * 5/2016 Helou D27/162



(56)

References Cited

FOREIGN PATENT DOCUMENTS

CN	304195595 S	7/2017
EM	2198838-0002	5/2013
EM	2546481-0002	10/2014

* cited by examiner

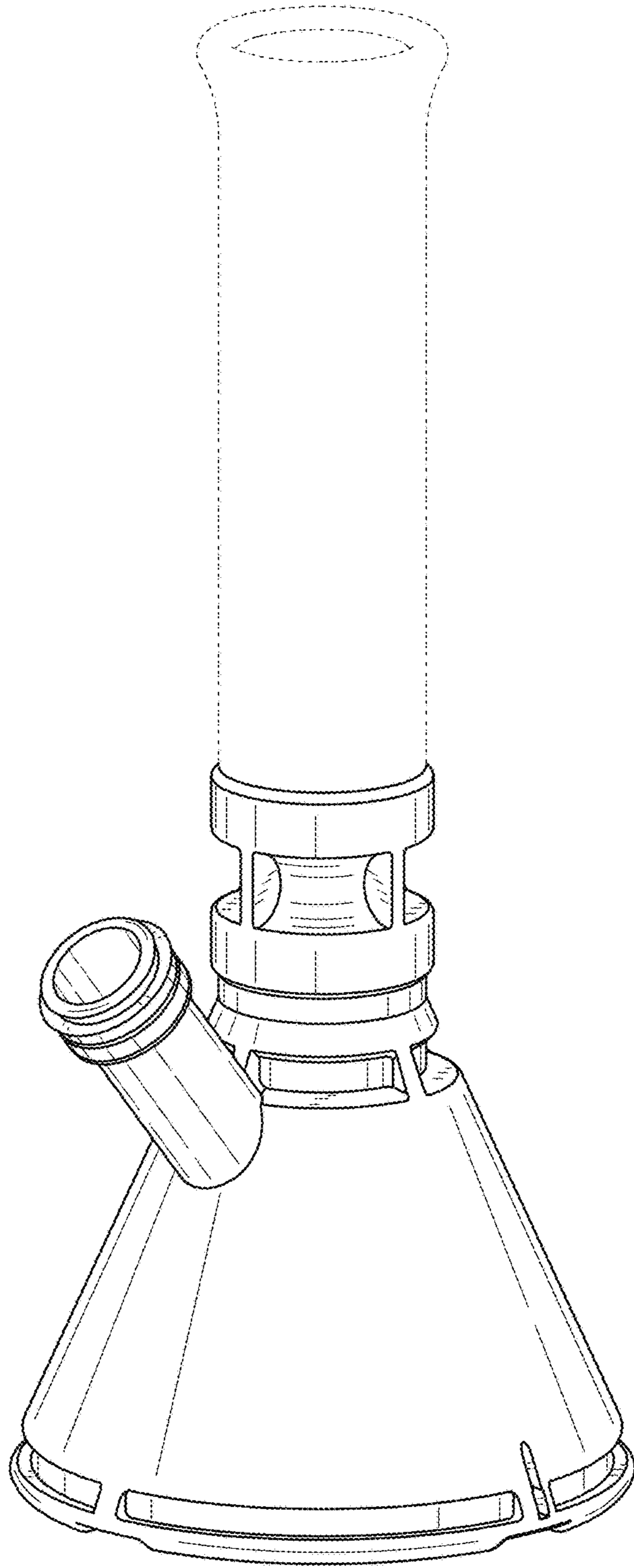


FIG. 1

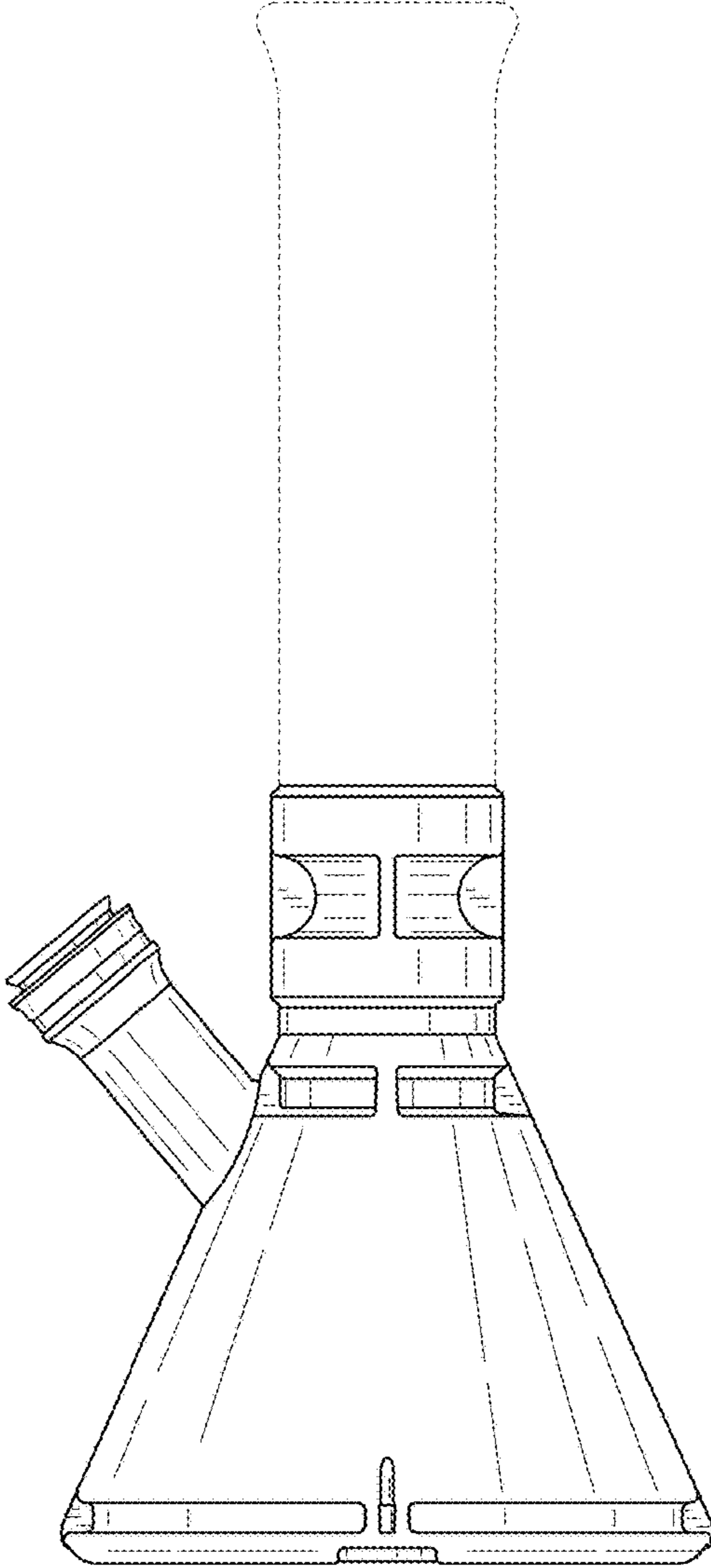


FIG. 2

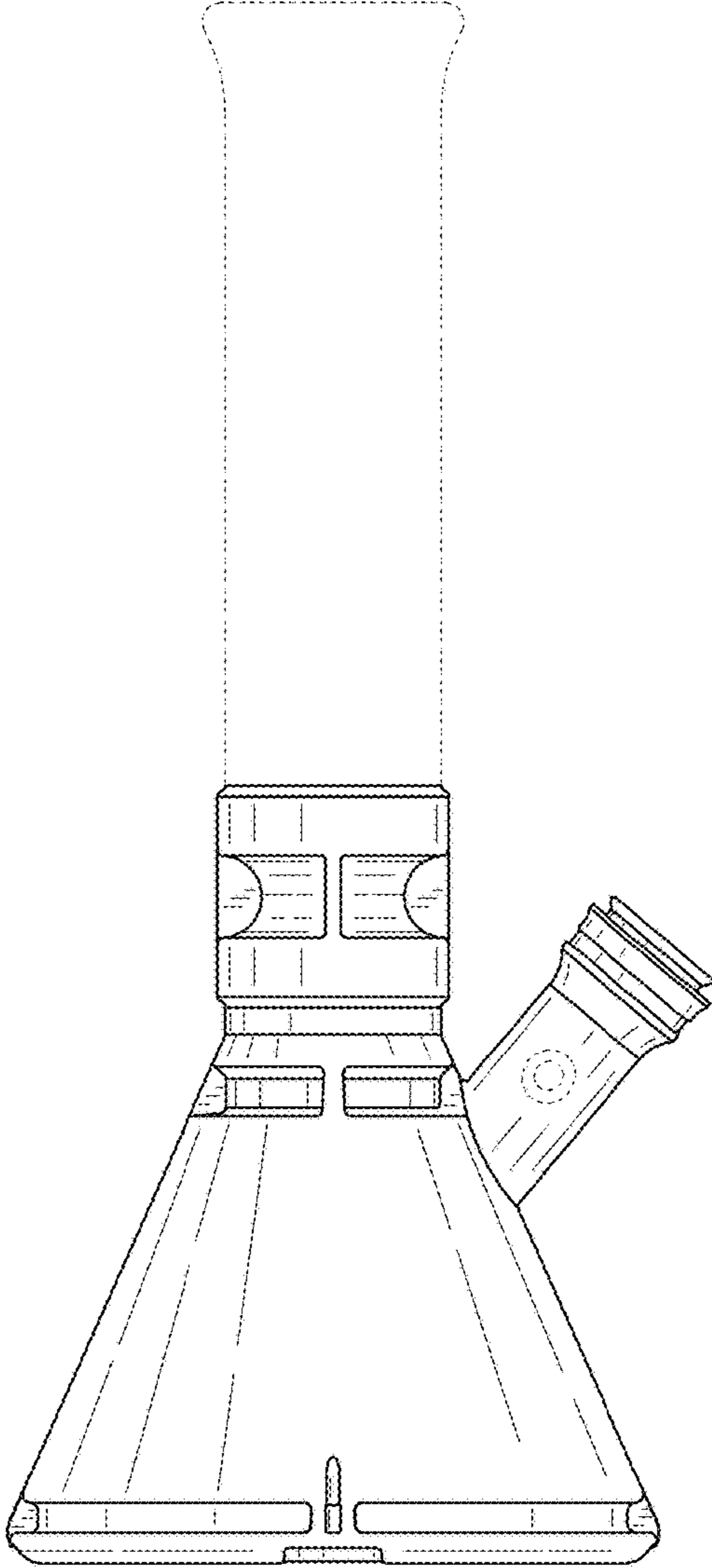


FIG. 3

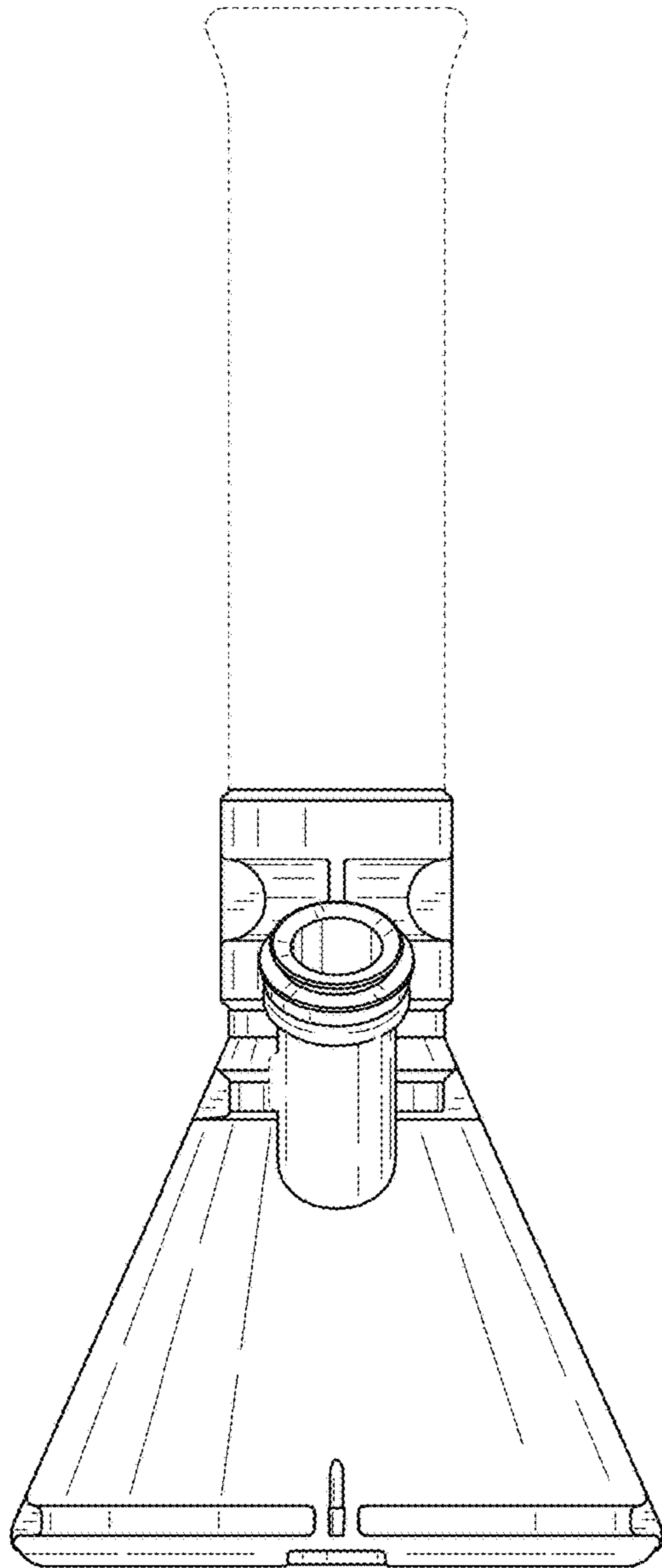


FIG. 4

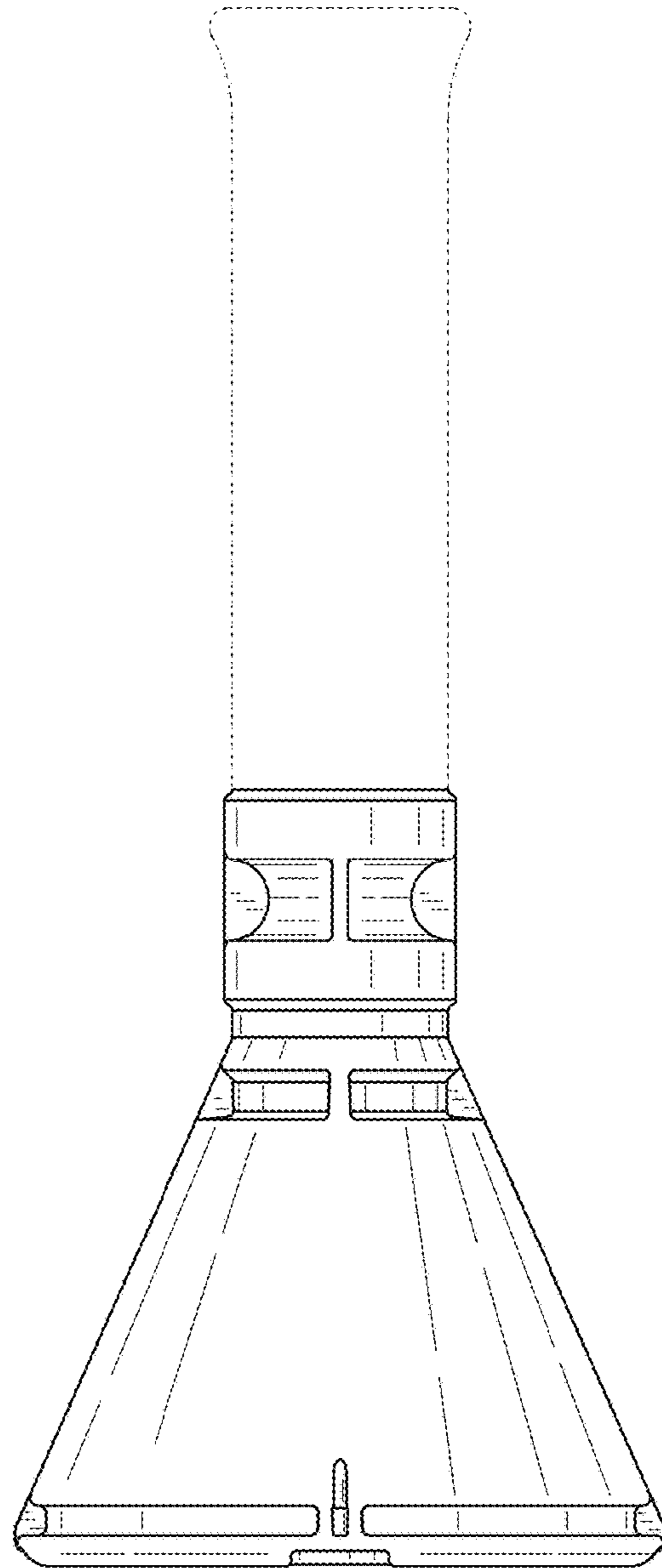


FIG. 5

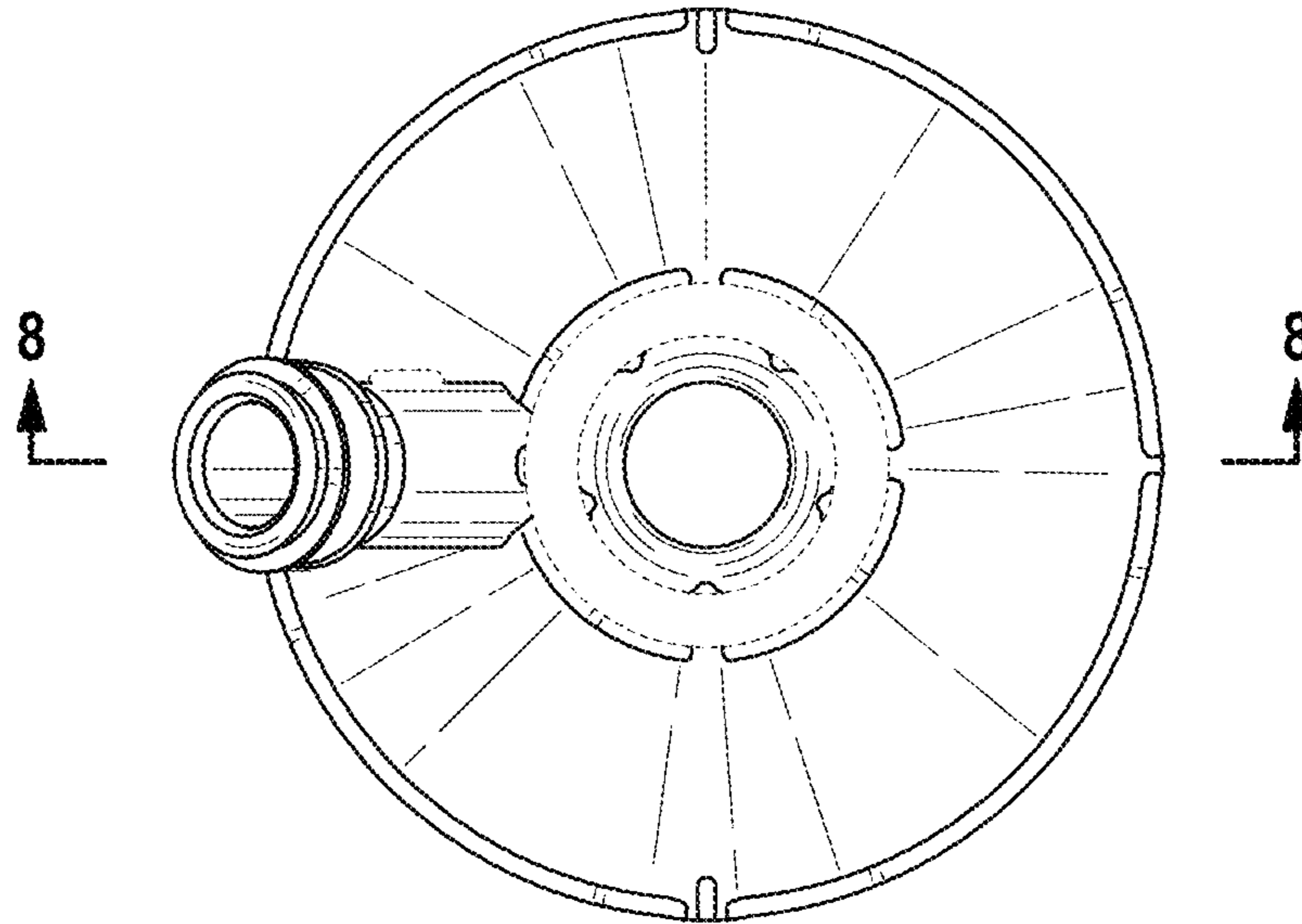


FIG. 6

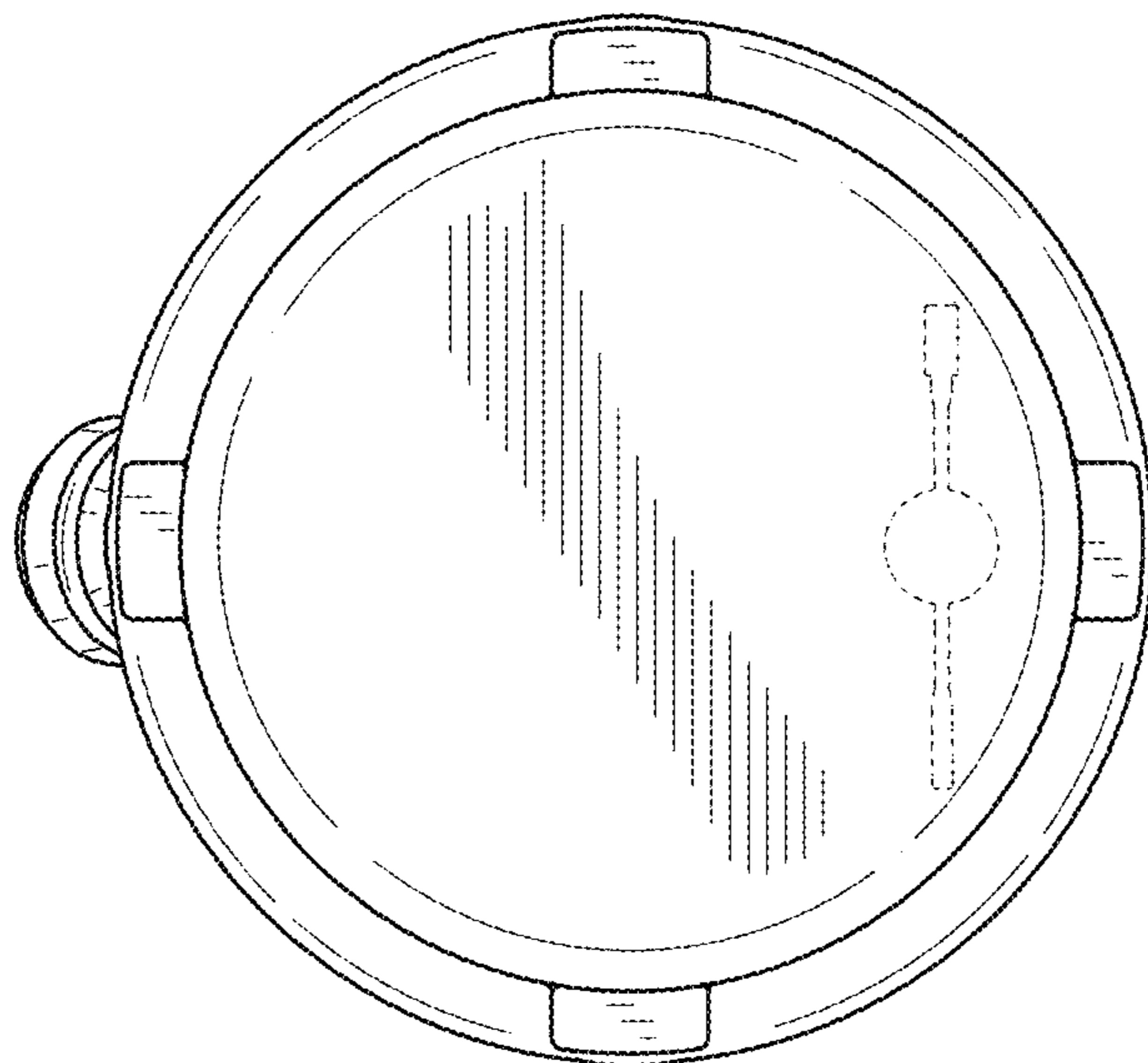


FIG. 7

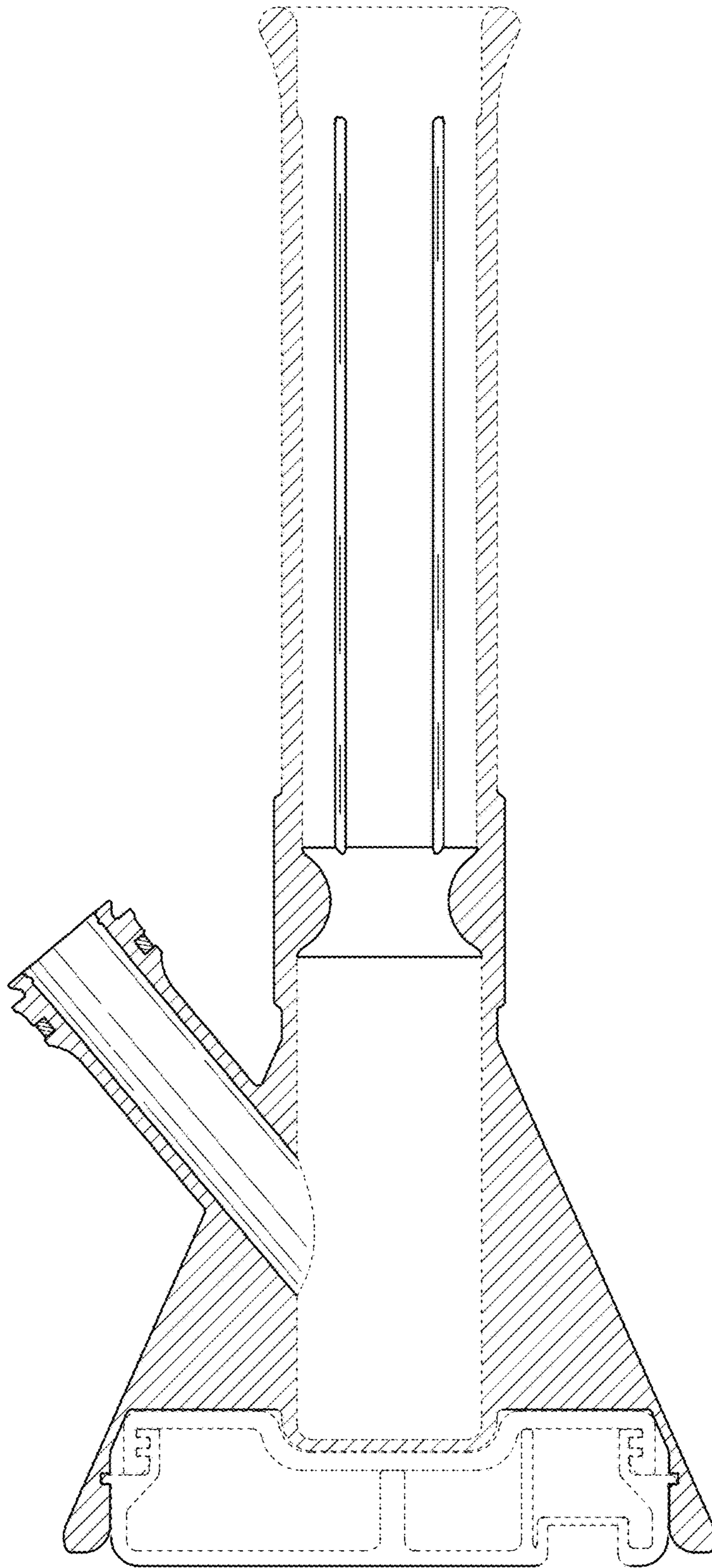


FIG. 8

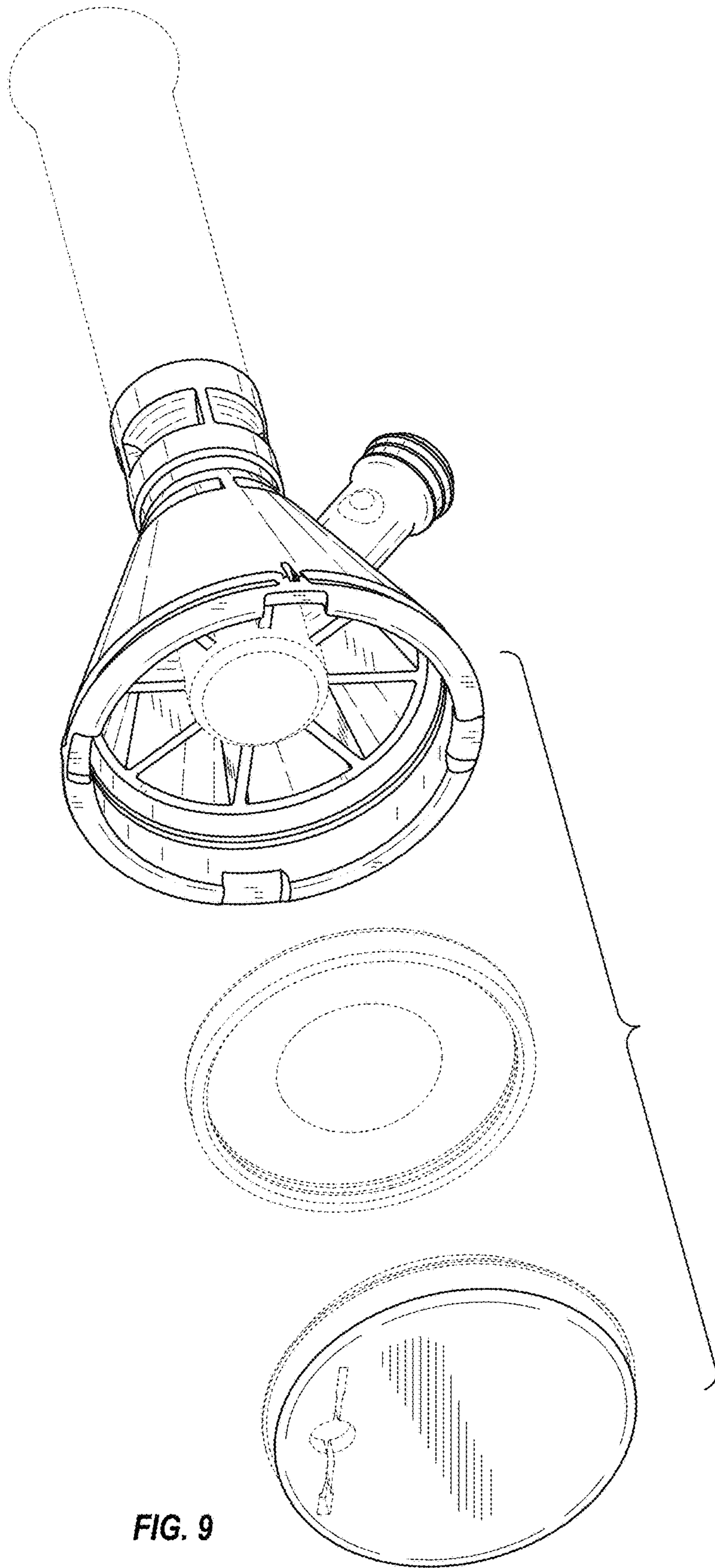


FIG. 9