



US00D846186S

(12) **United States Design Patent** (10) **Patent No.:** **US D846,186 S**  
**Singh** (45) **Date of Patent:** **\*\* Apr. 16, 2019**

(54) **LIGHTER WITH A CLIP**  
(71) Applicant: **Noddy Singh**, Hicksville, NY (US)  
(72) Inventor: **Noddy Singh**, Hicksville, NY (US)  
(\*\*) Term: **15 Years**  
(21) Appl. No.: **29/600,558**  
(22) Filed: **Apr. 13, 2017**  
(51) **LOC (11) Cl.** ..... **27-05**  
(52) **U.S. Cl.**  
USPC ..... **D27/142**  
(58) **Field of Classification Search**  
USPC ..... D27/142, 141, 139, 161, 154, 156-159,  
D27/162, 172, 143; D3/212; D8/34;  
431/253, 273, 350, 353  
CPC ..... F23Q 2/00; F23Q 2/02; F23Q 2/16; F23Q  
2/161; A24F 13/24; A24F 13/26; A24F  
13/00  
See application file for complete search history.

(56) **References Cited**

**U.S. PATENT DOCUMENTS**

D313,085 S \* 12/1990 Eisenbraun ..... D27/142  
D321,569 S \* 11/1991 Wallace ..... D27/142  
D458,098 S \* 6/2002 Hastings ..... D27/142  
D463,617 S \* 9/2002 Park ..... D27/157  
D473,437 S \* 4/2003 Klein ..... D8/34  
D489,478 S \* 5/2004 Shioi ..... D27/142  
D527,488 S \* 8/2006 Hung ..... D27/161

D539,975 S \* 4/2007 Park ..... D27/143  
D549,389 S \* 8/2007 Grant ..... D27/161  
D552,791 S \* 10/2007 Toffler ..... D27/161  
D563,037 S \* 2/2008 Wong ..... D27/142  
D573,301 S \* 7/2008 Grant ..... D19/196  
D745,750 S \* 12/2015 Mersch ..... D32/3  
D788,449 S \* 6/2017 Chrenka ..... D3/212  
D798,875 S \* 10/2017 Huang ..... D14/480.1  
D828,733 S \* 9/2018 Bo ..... D8/33

\* cited by examiner

*Primary Examiner* — Susan Bennett Hattan  
*Assistant Examiner* — Rebecca Tsehaye  
(74) *Attorney, Agent, or Firm* — Scully, Scott, Murphy & Presser, P.C.

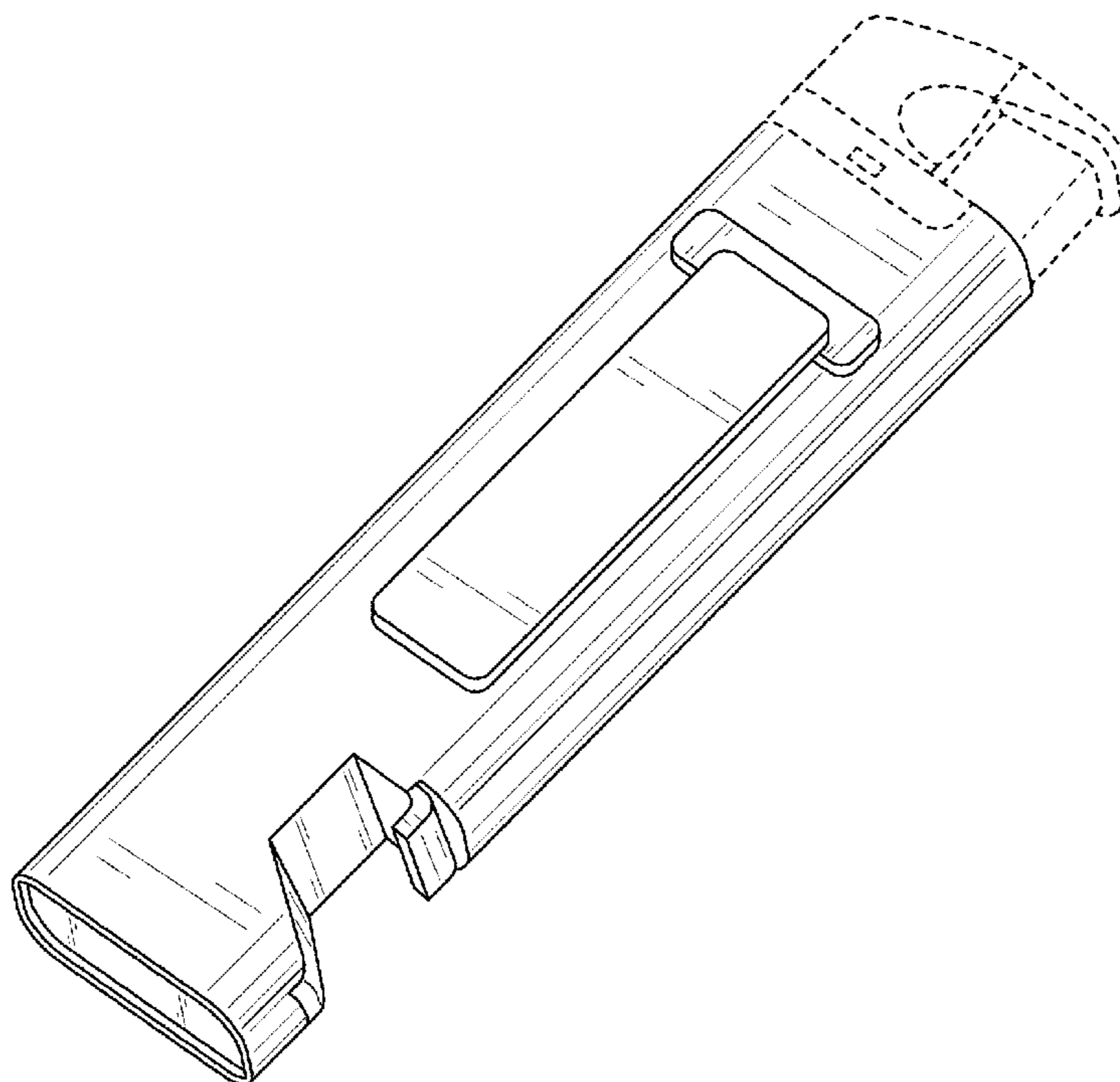
(57) **CLAIM**

The ornamental design for a lighter with a clip, as shown and described.

**DESCRIPTION**

FIG. 1 is a perspective view of the lighter with a clip showing an embodiment of my new and ornamental design; FIG. 2 is a left side view thereof; FIG. 3 is a right side view thereof; FIG. 4 is a rear side view thereof; FIG. 5 is a front side view thereof; FIG. 6 is a top side view thereof; and, FIG. 7 is a bottom view thereof. The portions indicated in broken lines are for illustrative purposes only and form no part of the claimed design.

**1 Claim, 7 Drawing Sheets**



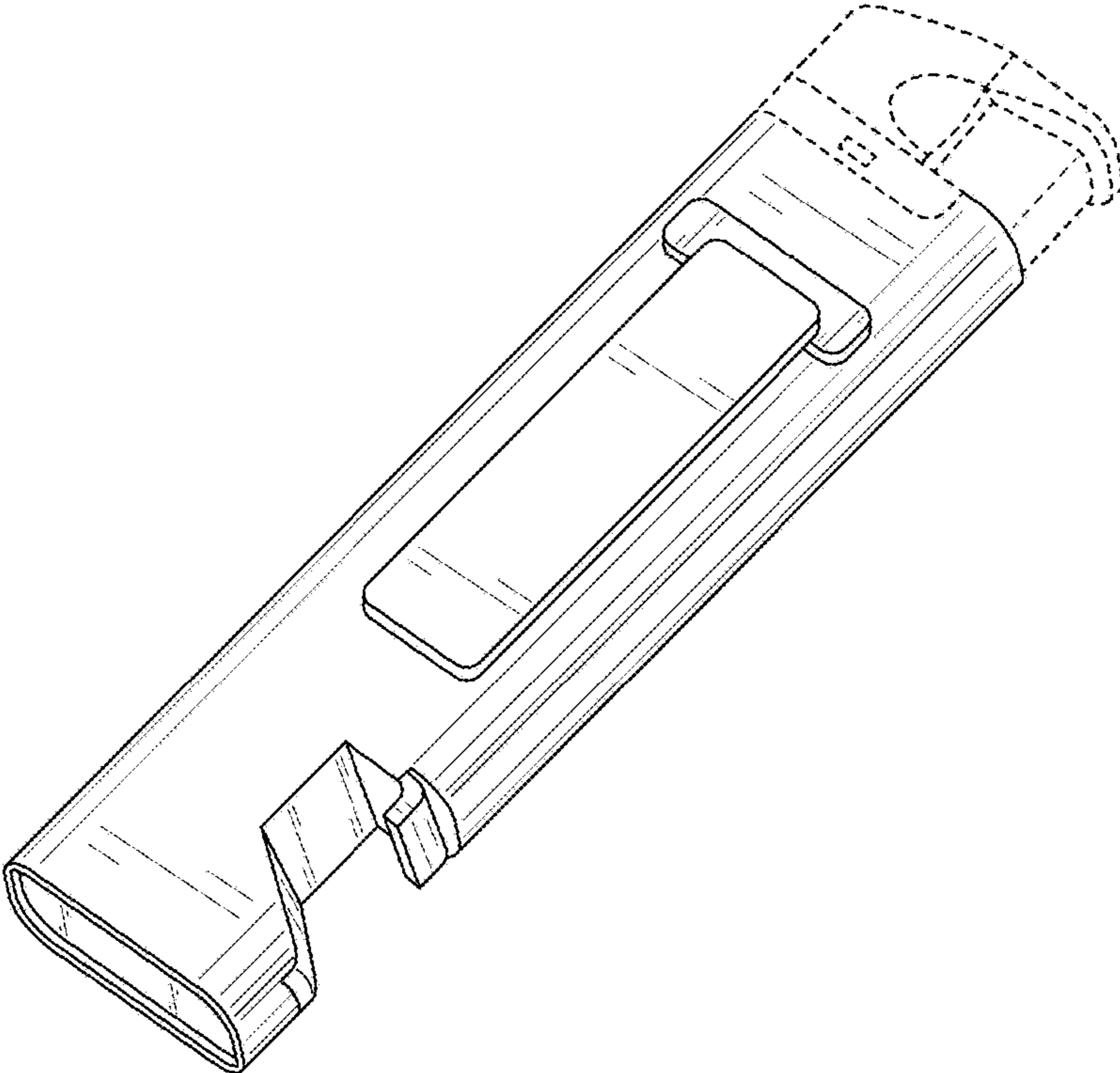


FIG. 1

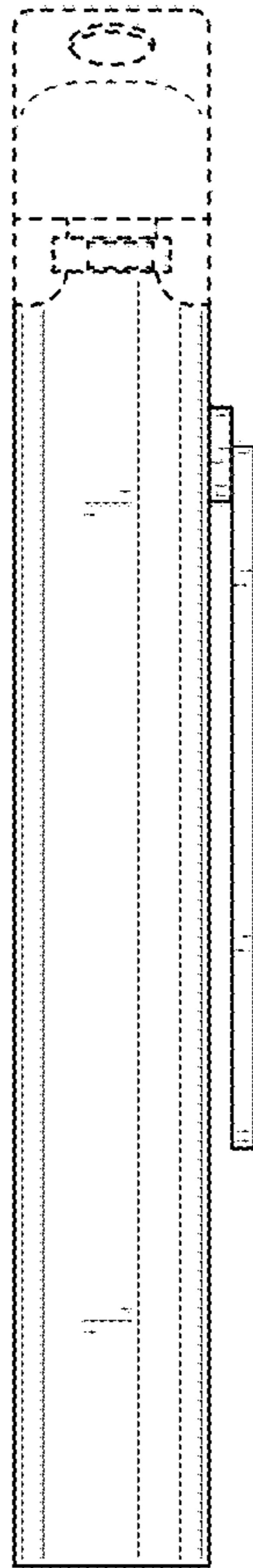


FIG. 2

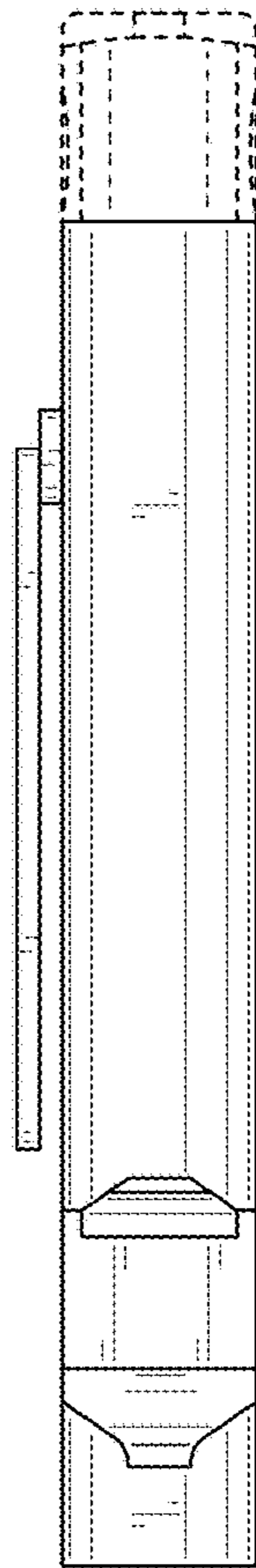


FIG. 3

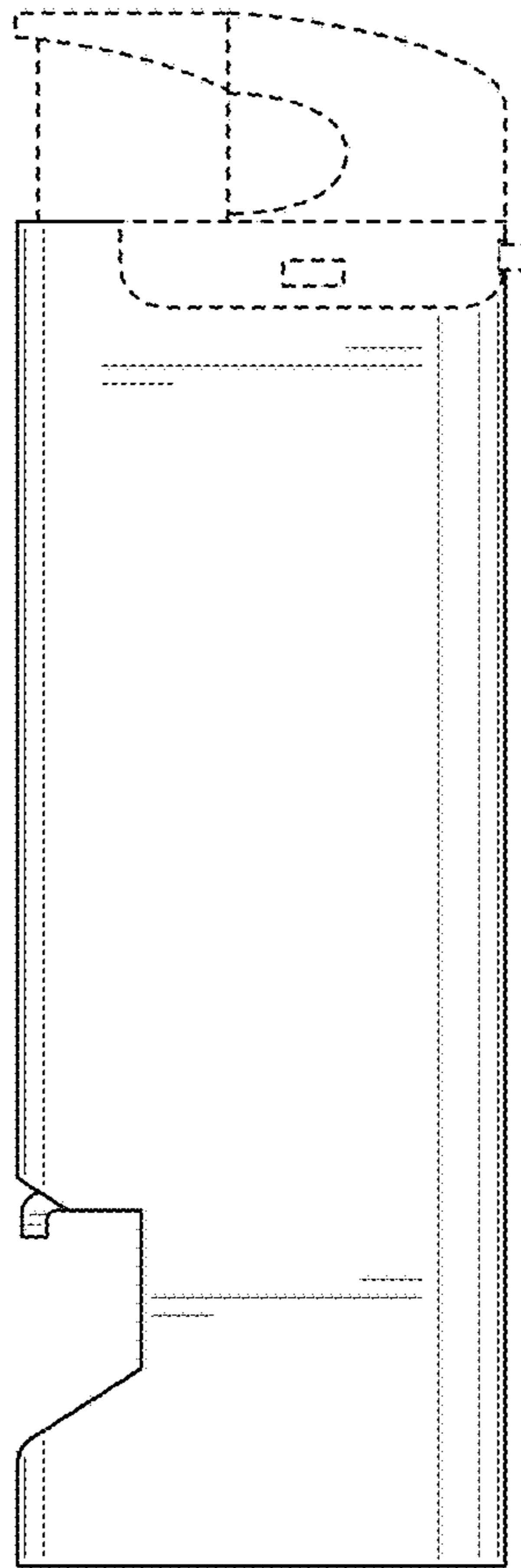


FIG. 4

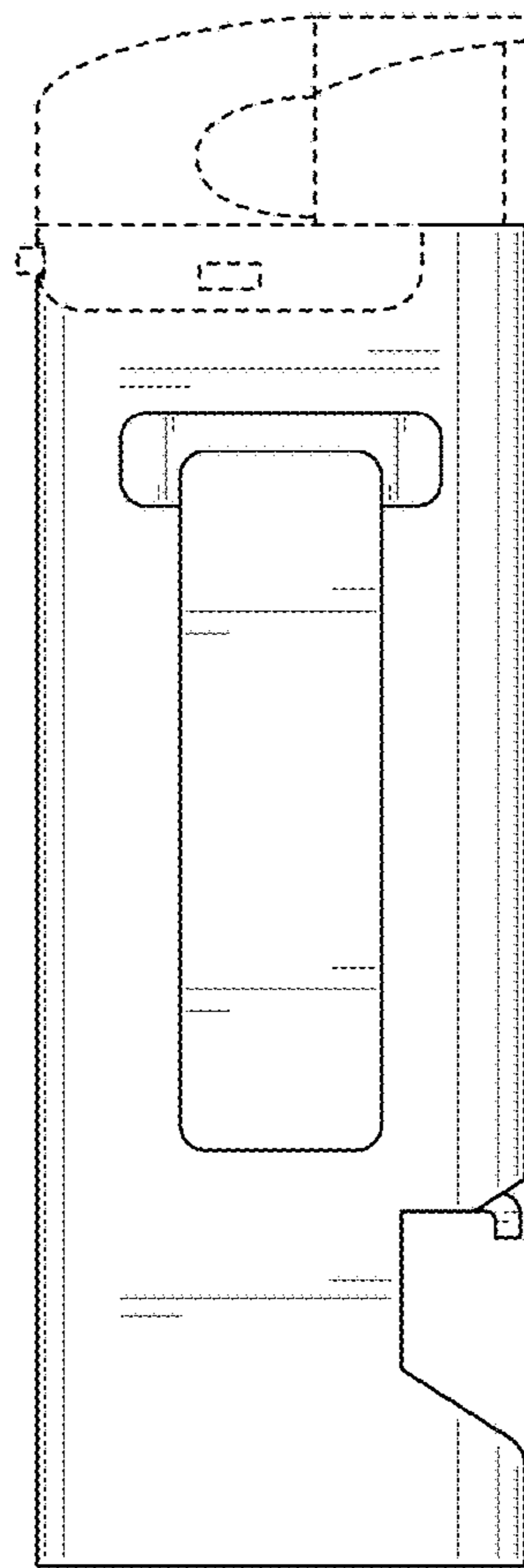


FIG. 5

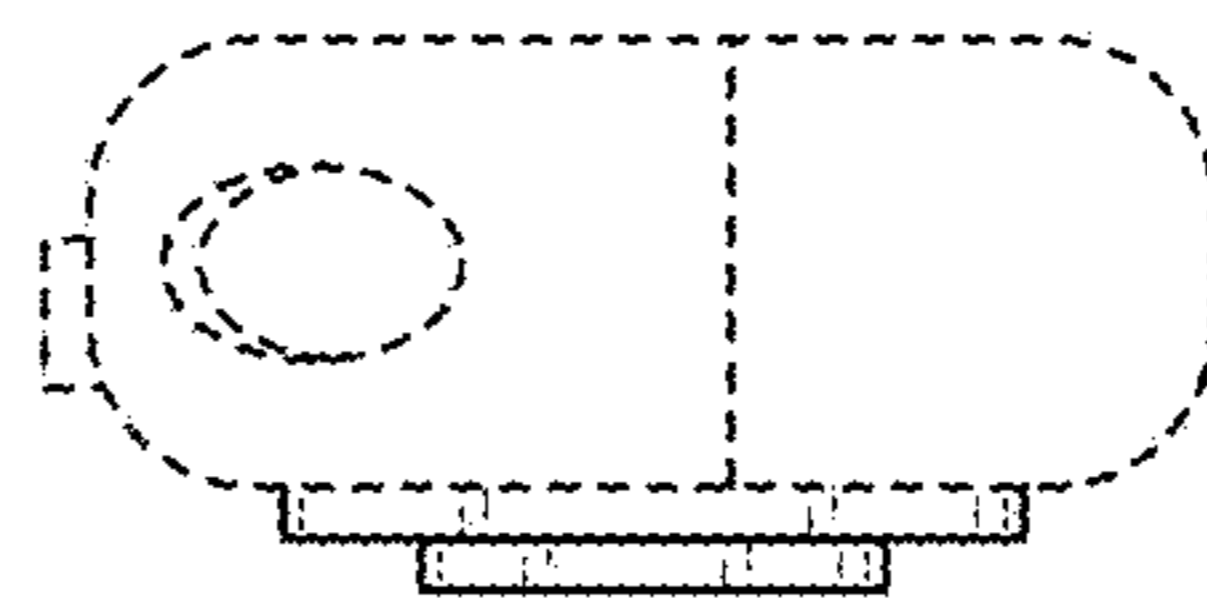


FIG. 6

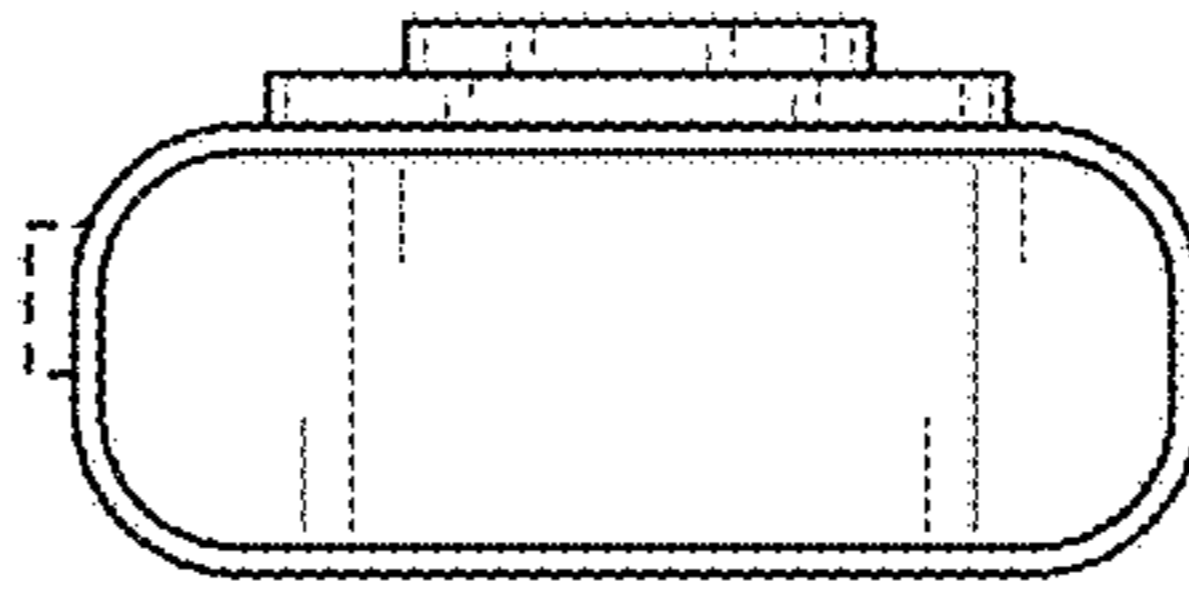


FIG. 7