

US00D846182S

(12) **United States Design Patent**
Bellows et al.

(10) **Patent No.:** **US D846,182 S**

(45) **Date of Patent:** **** Apr. 16, 2019**

(54) **SUPPORT ARM FOR AN OVERHEAD SURGICAL LIGHTING SYSTEM**

(71) Applicant: **AMERICAN STERILIZER COMPANY**, Mentor, OH (US)

(72) Inventors: **Lance Clark Bellows**, Leroy Township, OH (US); **Damon Jurkiewicz**, Cleveland, OH (US)

(73) Assignee: **AMERICAN STERILIZER COMPANY**, Mentor, OH (US)

(**) Term: **15 Years**

(21) Appl. No.: **29/639,384**

(22) Filed: **Mar. 6, 2018**

(51) **LOC (11) Cl.** **26-05**

(52) **U.S. Cl.**
USPC **D26/138**

(58) **Field of Classification Search**
USPC D26/1, 24, 26-28, 37-50, 35, 36, 61, 62, D26/63, 64, 65, 66, 71, 72, 73, 74, 75, D26/87, 89, 76, 78, 79, 80, 81, 82, 83, D26/85, 86, 88, 90, 113, 118, 119, 120, D26/121

CPC F21Y 2107/30; F21V 29/507
See application file for complete search history.

(56) **References Cited**

U.S. PATENT DOCUMENTS

D389,460 S * 1/1998 Wei-Hong D13/155
6,903,265 B1 * 6/2005 VanderVelde H02G 3/0418
174/481

D600,401 S * 9/2009 Varrin D26/138
D623,342 S * 9/2010 Klu D26/138
D623,343 S * 9/2010 Klus D26/138
D625,463 S * 10/2010 Klus D26/138
D692,685 S * 11/2013 Chou D6/580
D695,942 S * 12/2013 Ng D26/75
D710,535 S * 8/2014 Edwards D26/122
D793,617 S * 8/2017 Trzcielinski D26/118
D808,066 S * 1/2018 Young D26/138
9,951,914 B1 * 4/2018 Farnsworth F21V 31/005
D818,634 S * 5/2018 Sherman D26/138

* cited by examiner

Primary Examiner — Mark A Goodwin

Assistant Examiner — Benjamin M Weeks

(74) *Attorney, Agent, or Firm* — Kusner and Jaffe

(57) **CLAIM**

The ornamental design for a support arm for an overhead surgical lighting system, as shown and described.

DESCRIPTION

FIG. 1 is a perspective view of one end of a support arm for an overhead surgical lighting system, showing my new design;

FIG. 2 is a left side view of the support arm for an overhead surgical lighting system, the right side being a mirror image thereof;

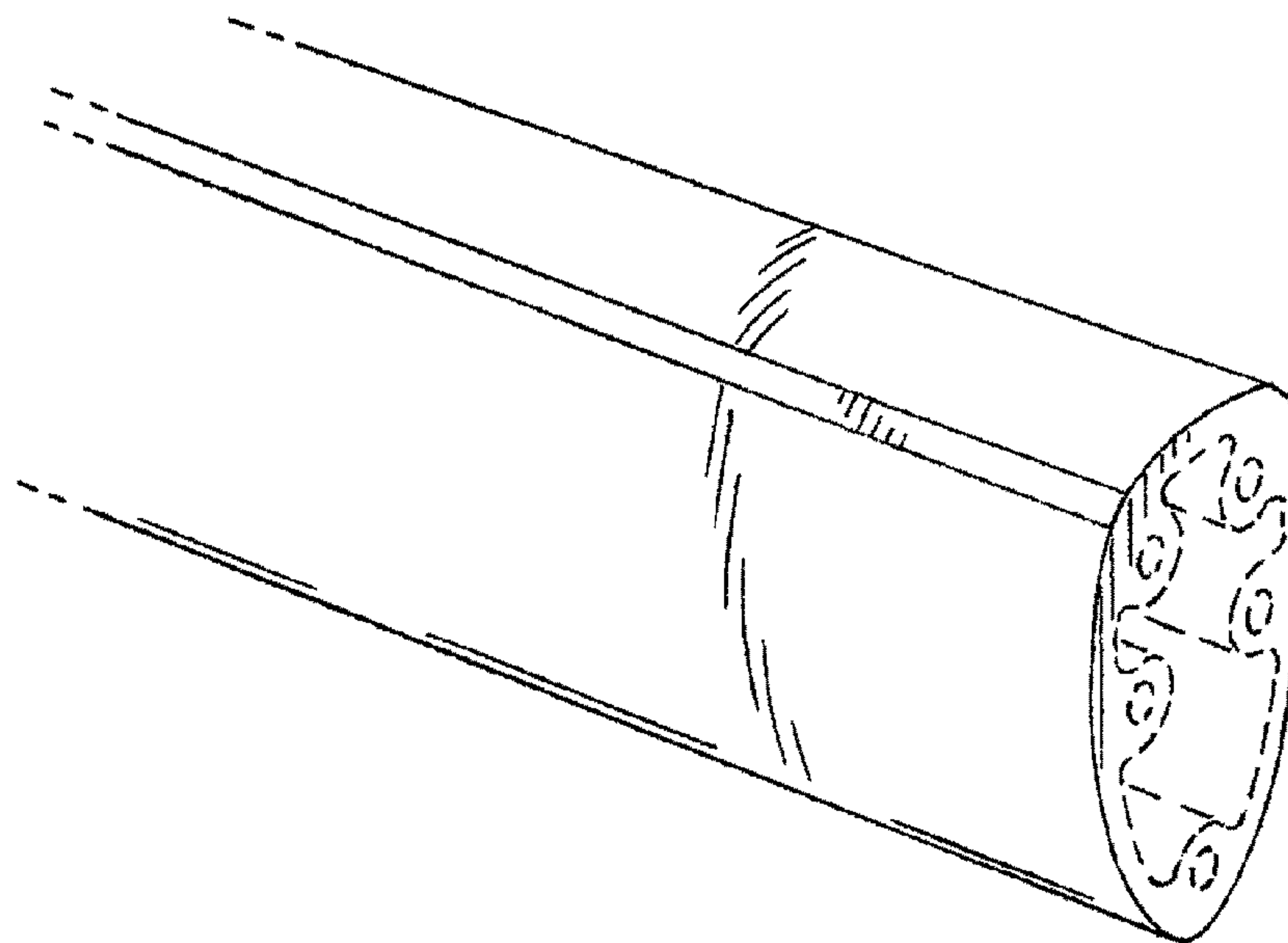
FIG. 3 is an end view thereof;

FIG. 4 is a top view thereof; and,

FIG. 5 is a bottom view thereof.

The broken line showing of support arm for an overhead surgical lighting system is included for the purpose of illustrating unclaimed matter and forms no part of the claimed design.

1 Claim, 2 Drawing Sheets



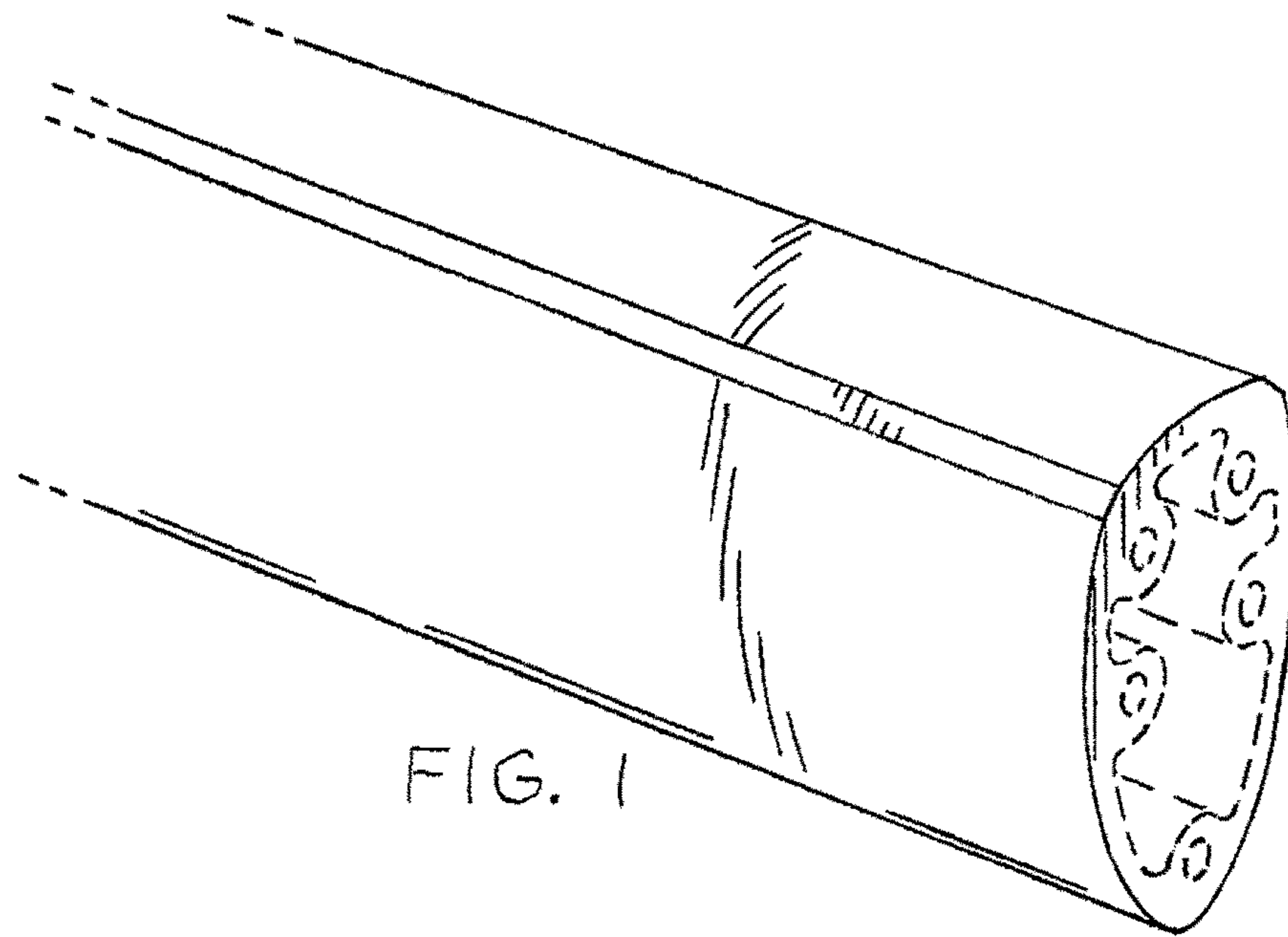


FIG. 1

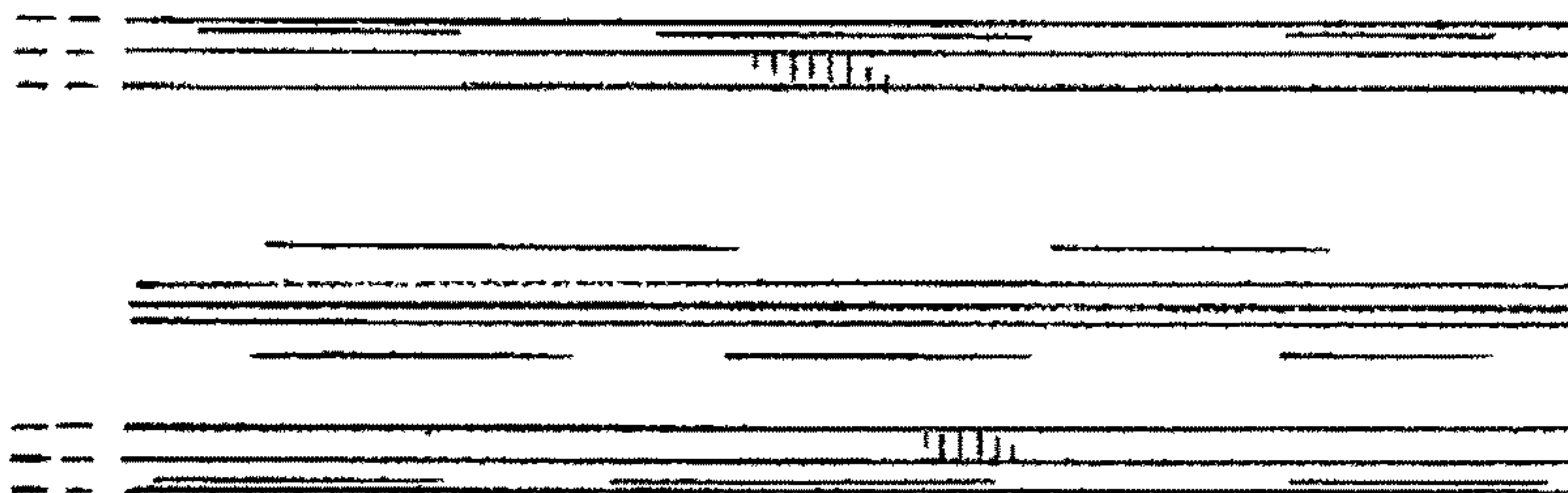


FIG. 4

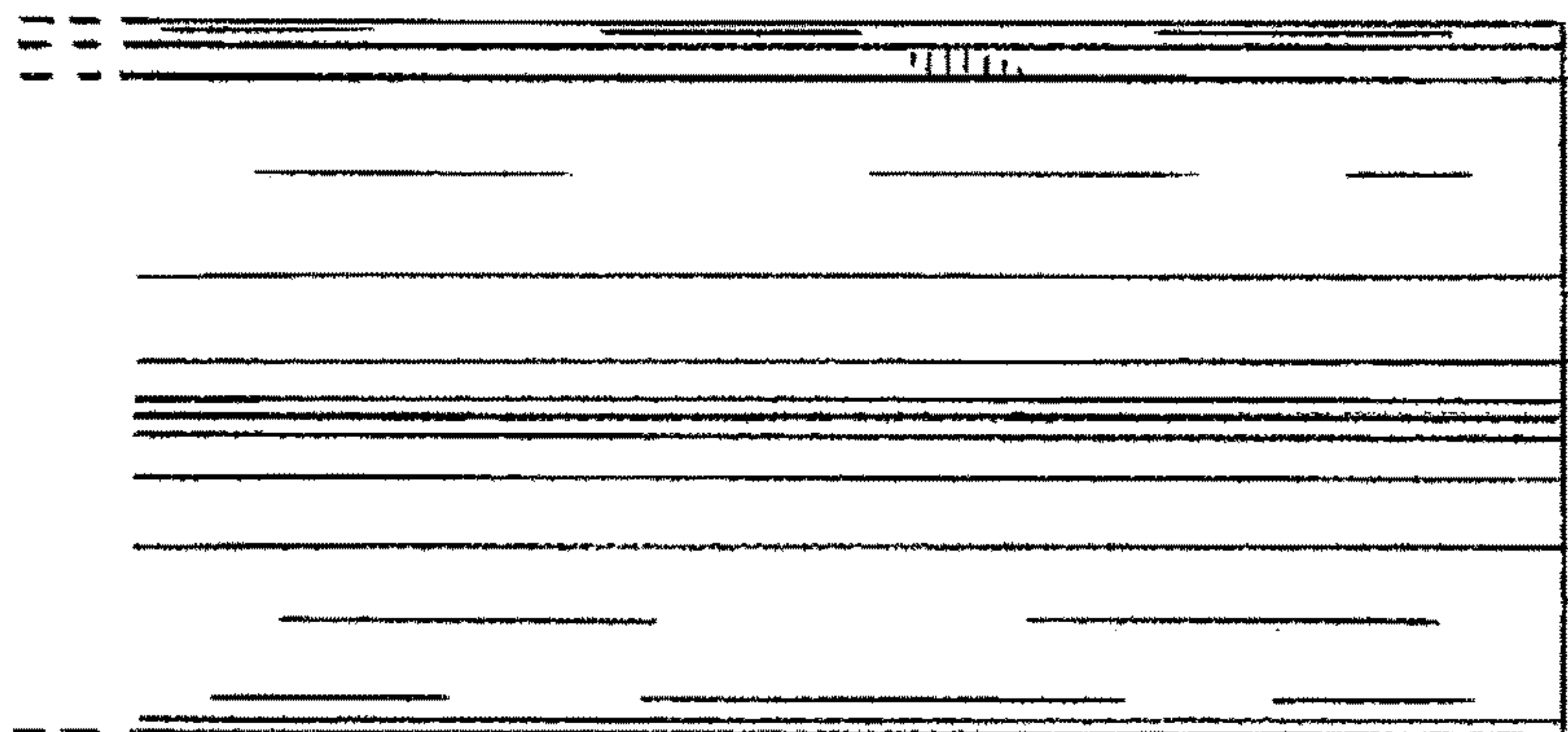


FIG. 2

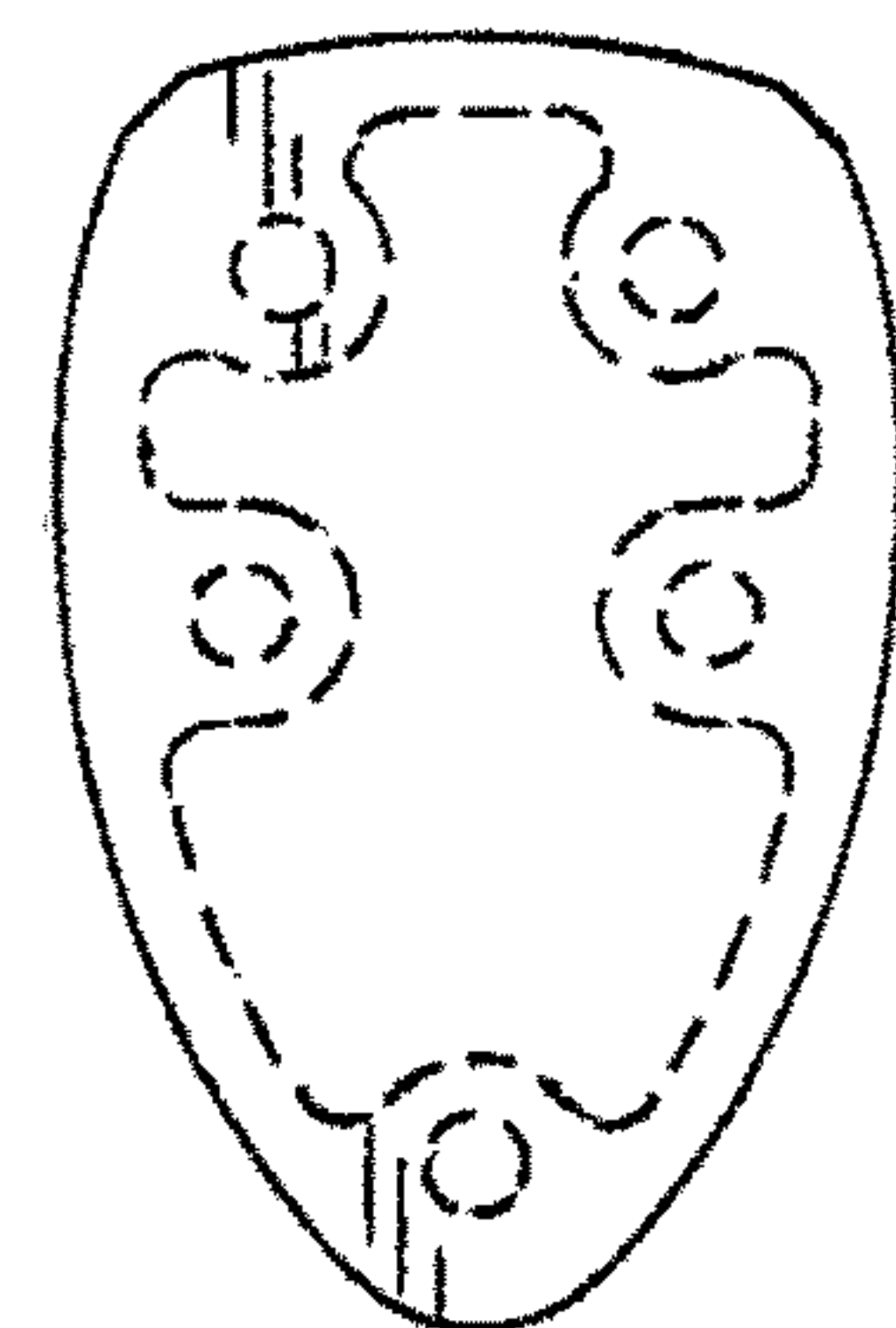


FIG. 3



FIG. 5