



US00D846181S

(12) **United States Design Patent** (10) **Patent No.:** **US D846,181 S**  
**Bellows et al.** (45) **Date of Patent:** **\*\* Apr. 16, 2019**

(54) **SUPPORT ARM FOR AN OVERHEAD SURGICAL LIGHTING SYSTEM**

(71) Applicant: **AMERICAN STERILIZER COMPANY**, Mentor, OH (US)

(72) Inventors: **Lance Clark Bellows**, Leroy Township, OH (US); **Jerime Pichler**, Cleveland, OH (US)

(73) Assignee: **American Sterilizer Company**, Mentor, OH (US)

(\*\*) Term: **15 Years**

(21) Appl. No.: **29/639,378**

(22) Filed: **Mar. 6, 2018**

(51) **LOC (11) Cl.** ..... **26-05**

(52) **U.S. Cl.**  
USPC ..... **D26/138**

(58) **Field of Classification Search**  
USPC .... D26/1, 24, 26–28, 37–50, 35, 36, 61, 62, D26/63, 64, 65, 66, 71, 72, 73, 74, 75, D26/87, 89, 76, 78, 79, 80, 81, 82, 83, D26/85, 86, 88, 90, 113, 118, 119, 120, D26/121

CPC ..... F21Y 2107/30; F21V 29/507  
See application file for complete search history.

(56) **References Cited**

**U.S. PATENT DOCUMENTS**

D389,460 S \* 1/1998 Wei-Hong ..... D13/155  
6,903,265 B1 \* 6/2005 VanderVelde ..... H02G 3/0418  
174/481

D600,401 S \* 9/2009 Varrin ..... D26/138  
D623,342 S \* 9/2010 Klus ..... D26/138  
D623,343 S \* 9/2010 Klus ..... D26/138  
D625,463 S \* 10/2010 Klus ..... D26/138  
D692,685 S \* 11/2013 Chou ..... D6/580  
D695,942 S \* 12/2013 Ng ..... D26/75  
D710,535 S \* 8/2014 Edwards ..... D26/122  
D793,617 S \* 8/2017 Trzcielinski ..... D26/118  
D808,066 S \* 1/2018 Young ..... D26/138  
9,951,914 B1 \* 4/2018 Farnsworth ..... F21V 31/005  
D818,634 S \* 5/2018 Sherman ..... D26/138

\* cited by examiner

*Primary Examiner* — Mark A Goodwin

*Assistant Examiner* — Benjamin M Weeks

(74) *Attorney, Agent, or Firm* — Kusner and Jaffe

(57) **CLAIM**

The ornamental design for a support arm for an overhead surgical lighting system, as shown and described.

**DESCRIPTION**

FIG. 1 is a perspective view of one end of a support arm for an overhead surgical lighting system, showing my new design;

FIG. 2 is a left side view of the support arm for an overhead surgical lighting system, the right side being a mirror image thereof;

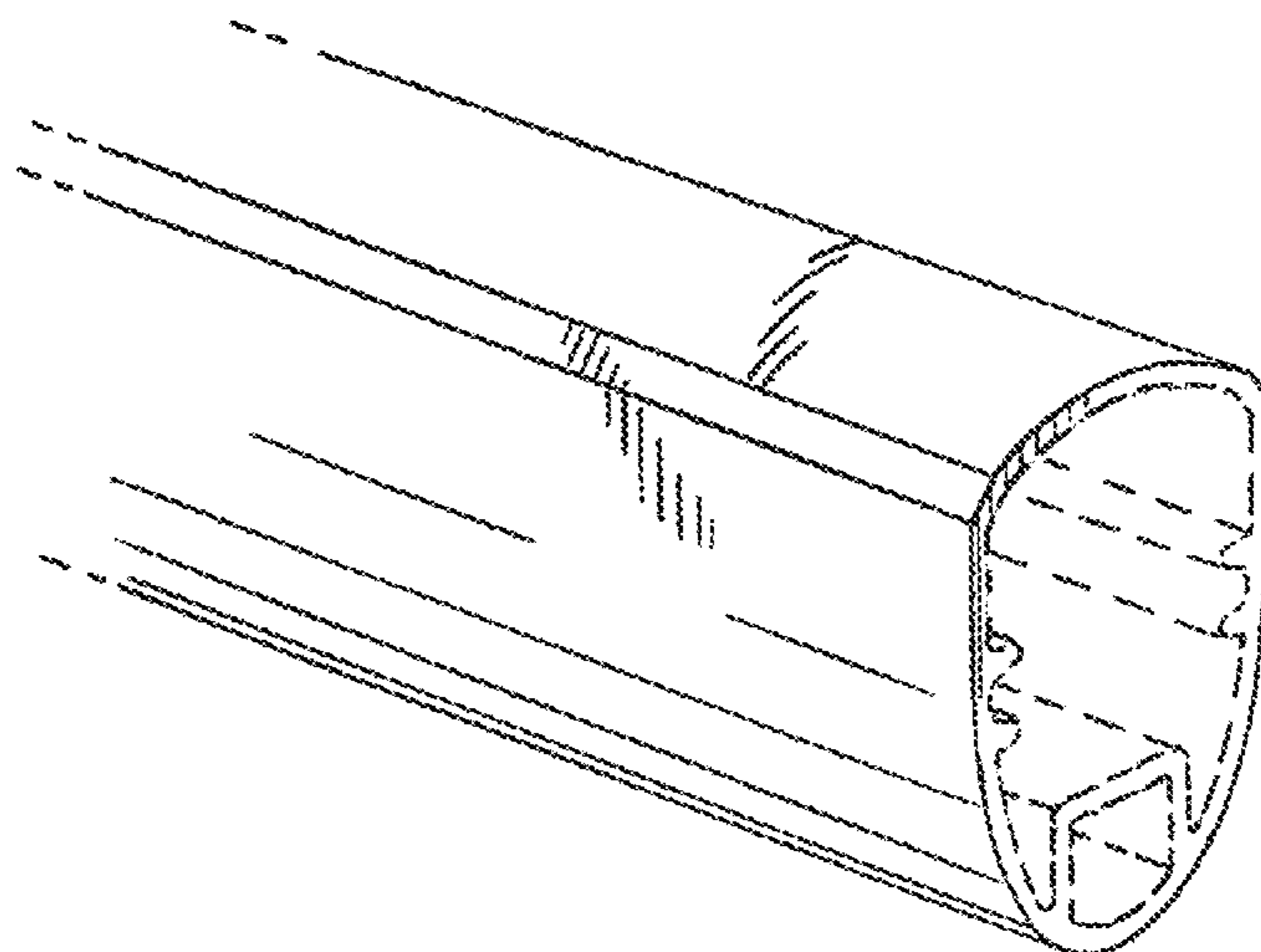
FIG. 3 is an end view thereof;

FIG. 4 is a top view thereof; and,

FIG. 5 is a bottom view thereof.

The broken line showing of support arm for an overhead surgical lighting system is included for the purpose of illustrating unclaimed matter and forms no part of the claimed design.

**1 Claim, 2 Drawing Sheets**



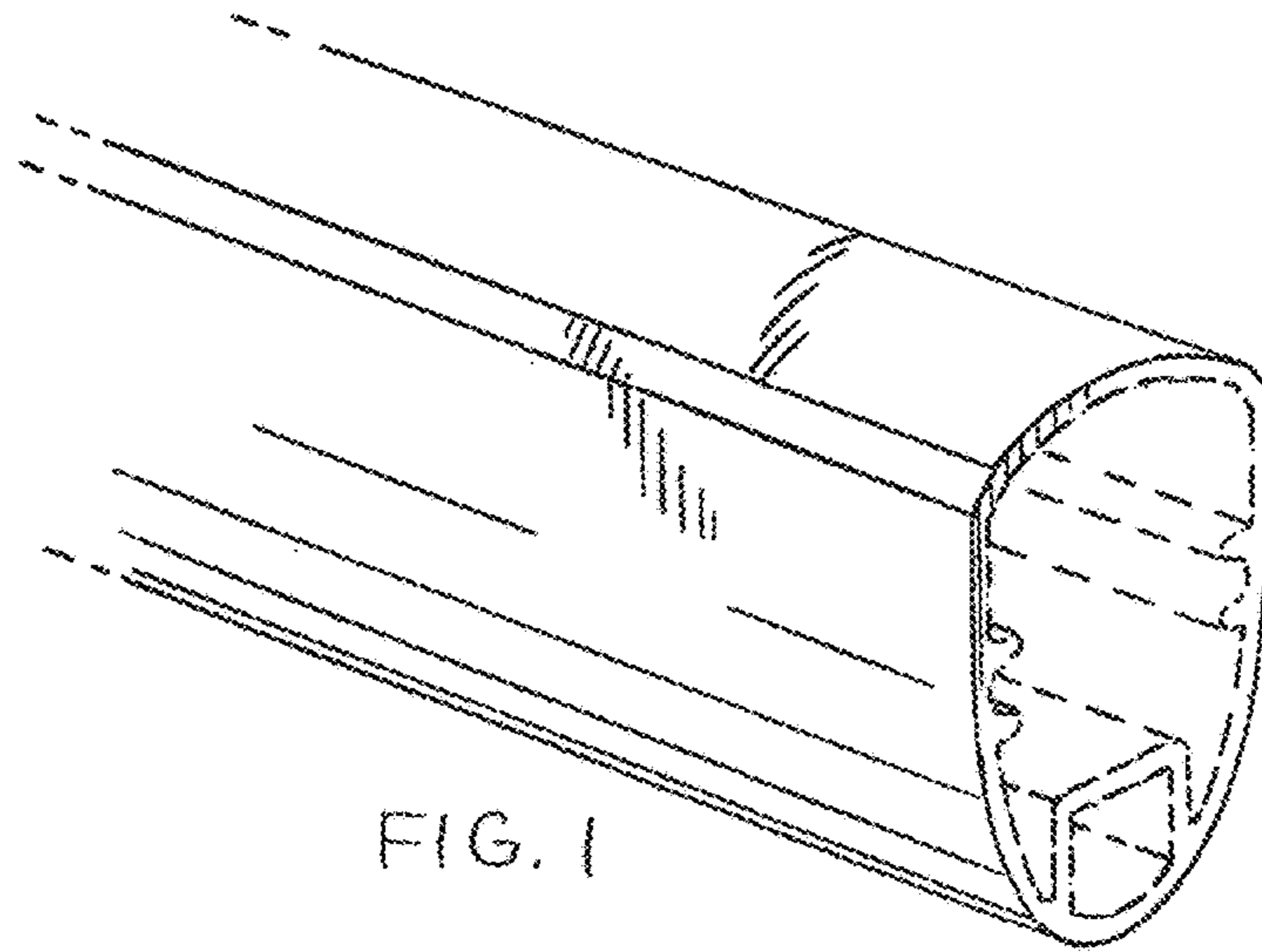


FIG. 1



FIG. 4

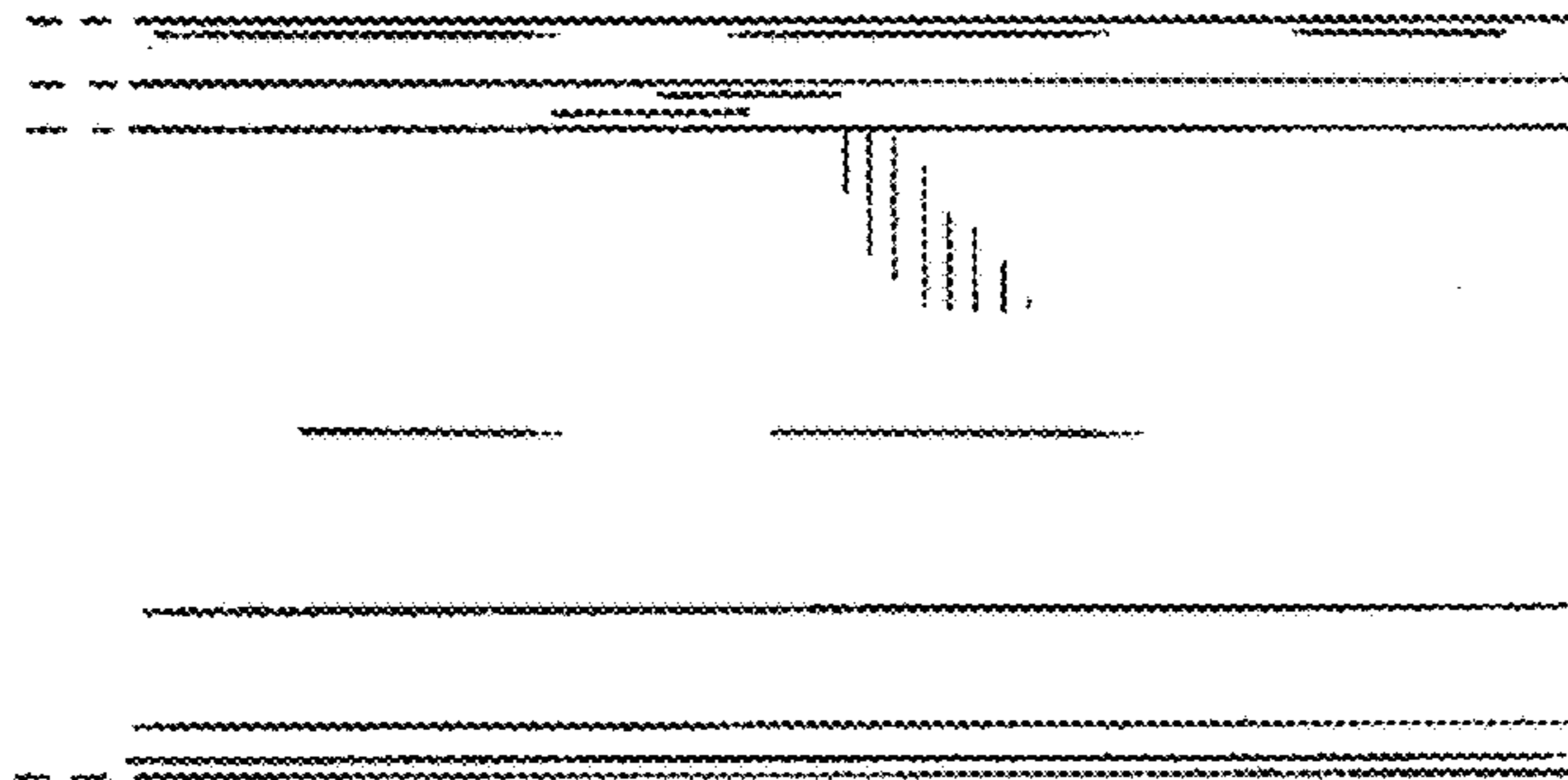


FIG. 2

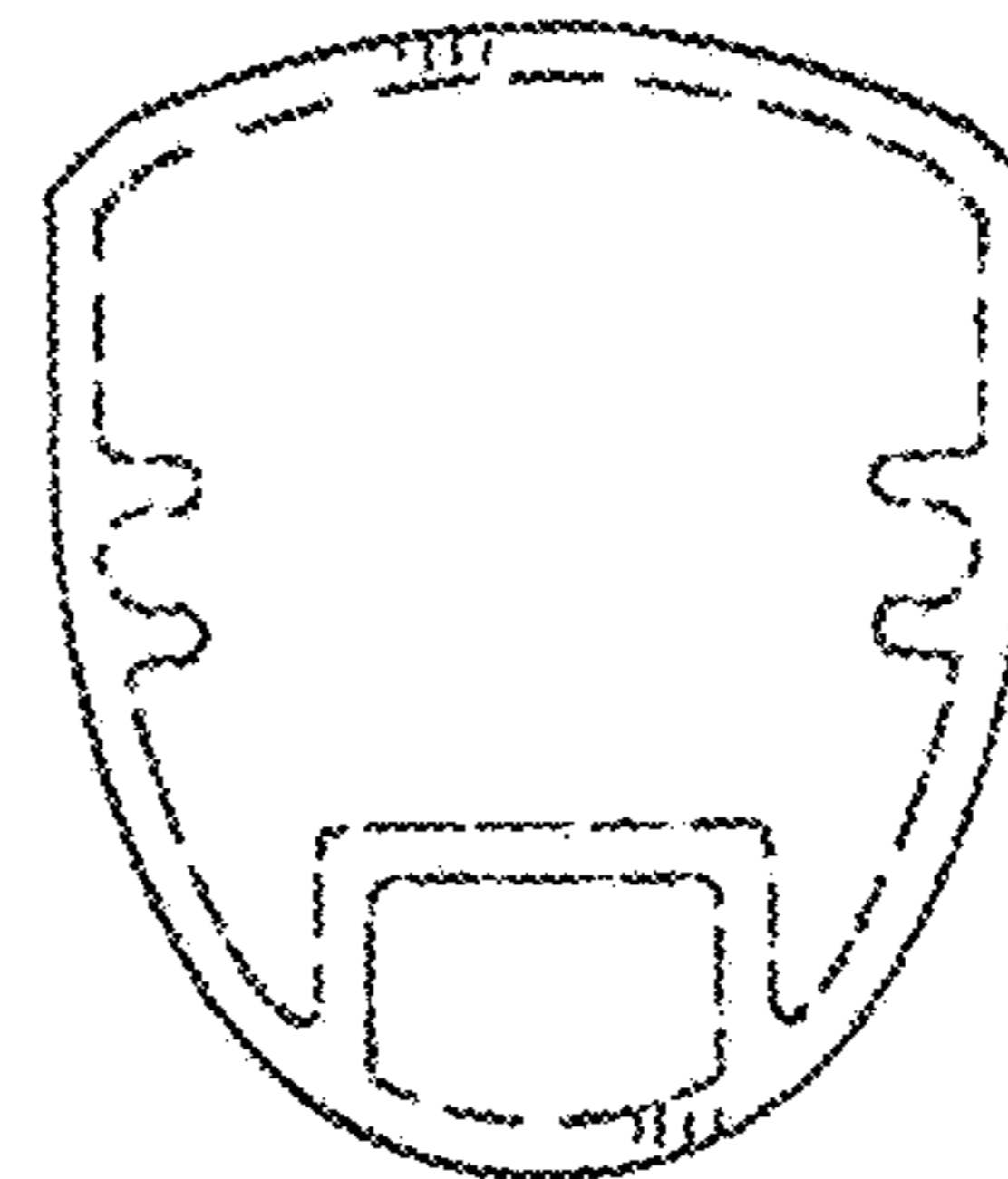


FIG. 3



FIG. 5