

US00D846180S

(12) **United States Design Patent**
Sheridan

(10) **Patent No.:** **US D846,180 S**

(45) **Date of Patent:** **** Apr. 16, 2019**

(54) **MOUNTING FIXTURE FOR A LIGHT**

(71) Applicant: **Cerno, LLC**, Irvine, CA (US)

(72) Inventor: **Nick Sheridan**, Irvine, CA (US)

(73) Assignee: **Cerno, LLC**, Irvine, CA (US)

(**) Term: **15 Years**

(21) Appl. No.: **29/623,572**

(22) Filed: **Oct. 25, 2017**

(51) **LOC (11) Cl.** **26-05**

(52) **U.S. Cl.**
USPC **D26/138**

(58) **Field of Classification Search**
USPC D26/35, 36, 61, 62, 63, 64, 65, 66, 71,
D26/72, 73, 74, 75, 76, 78, 79, 80, 81,
D26/82, 83, 85, 86, 88, 87, 89, 90, 113,
D26/118, 119, 120, 121
CPC F21Y 2107/30; F21V 29/507
See application file for complete search history.

(56) **References Cited**

U.S. PATENT DOCUMENTS

5,339,233	A *	8/1994	Yang	F16M 11/10 362/345
D432,695	S *	10/2000	Chen	D26/65
D473,336	S *	4/2003	Huang	D26/138
D485,929	S *	1/2004	Cvek	D26/65
D617,933	S *	6/2010	Ng	D26/65
D623,333	S *	9/2010	Huang	D26/65
D623,789	S *	9/2010	Chiu	D26/65
7,798,682	B1 *	9/2010	Cvek	F21S 2/00 362/257
D628,729	S *	12/2010	Citterio	D26/65
D644,367	S *	8/2011	Fu	D26/65
D648,057	S *	11/2011	Copeland	D26/65
D663,067	S *	7/2012	Buyce	D26/138
D753,329	S *	4/2016	Lee	D26/65
D804,071	S *	11/2017	Xu	D26/63

D804,072	S *	11/2017	Xu	D26/63
D810,341	S *	2/2018	Waldmann	D26/63
D812,797	S *	3/2018	Meda	D26/63

* cited by examiner

Primary Examiner — Mark A Goodwin

Assistant Examiner — Benjamin M Weeks

(74) *Attorney, Agent, or Firm* — Stetina, Brunda, Garred and Brucker

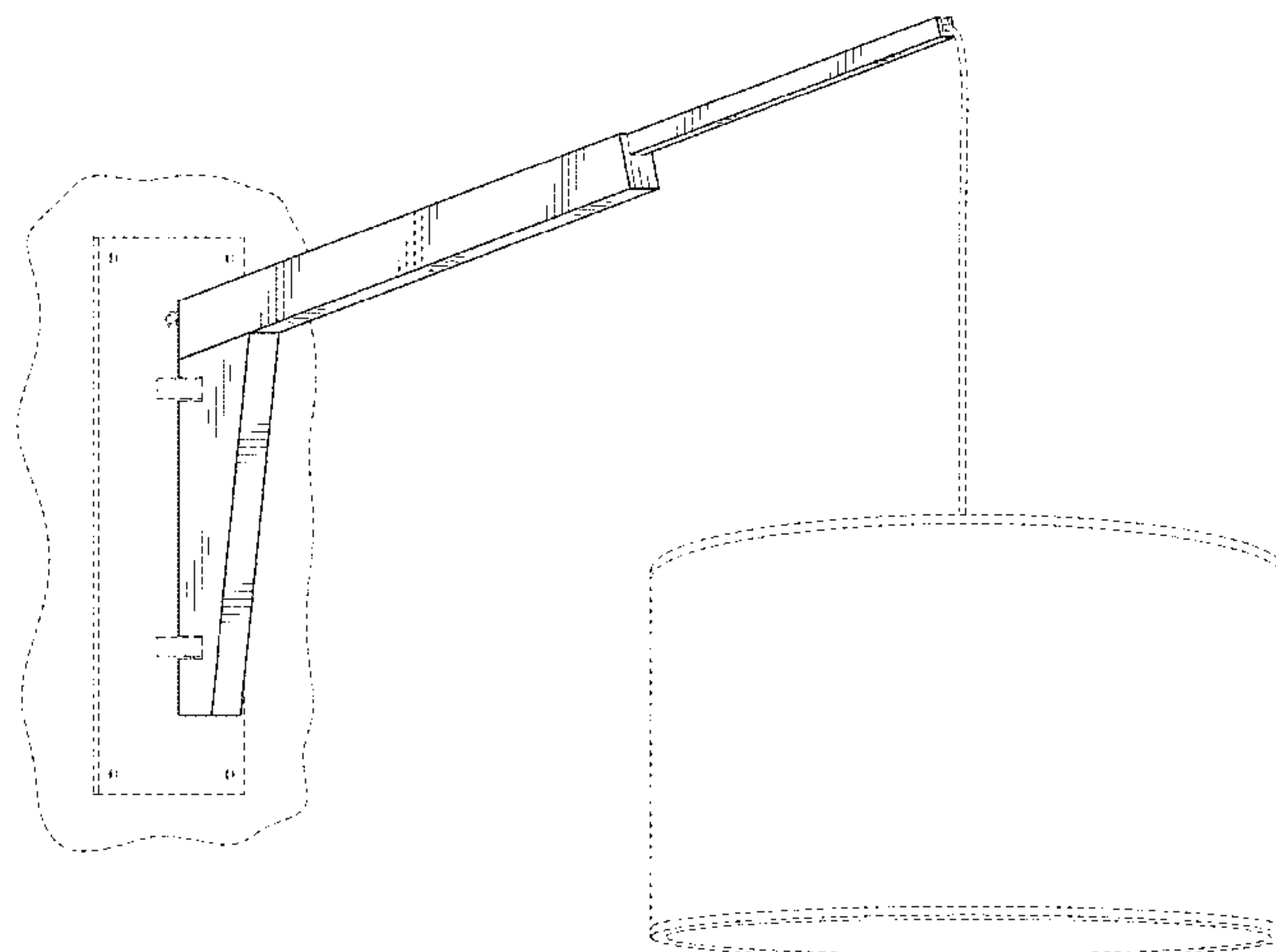
(57) **CLAIM**

The ornamental design for an mounting fixture for a light, as shown and described.

DESCRIPTION

FIG. 1 is a lower perspective view of the mounting fixture for a light of the present invention showing my new design, the mounting fixture being in an extended configuration; FIG. 2 is a first side view of the mounting fixture for a light in the extended configuration; FIG. 3 is a top view of the mounting fixture for a light in the extended configuration; FIG. 4 is a second side view of the mounting fixture for a light in the extended configuration, the second side view being opposite the first side view; FIG. 5 is a front view of the mounting fixture for a light in the extended configuration; FIG. 6 is a rear view of the mounting fixture for a light in the extended configuration; FIG. 7 is a bottom view of the mounting fixture for a light in the extended configuration; FIG. 8 is a lower perspective view of the mounting fixture for a light, the mounting fixture being in a retracted configuration; and, FIG. 9 is a first side view of the mounting fixture for a light in the retracted configuration. The broken lines in the drawings illustrate features that form no part of the claimed design.

1 Claim, 3 Drawing Sheets



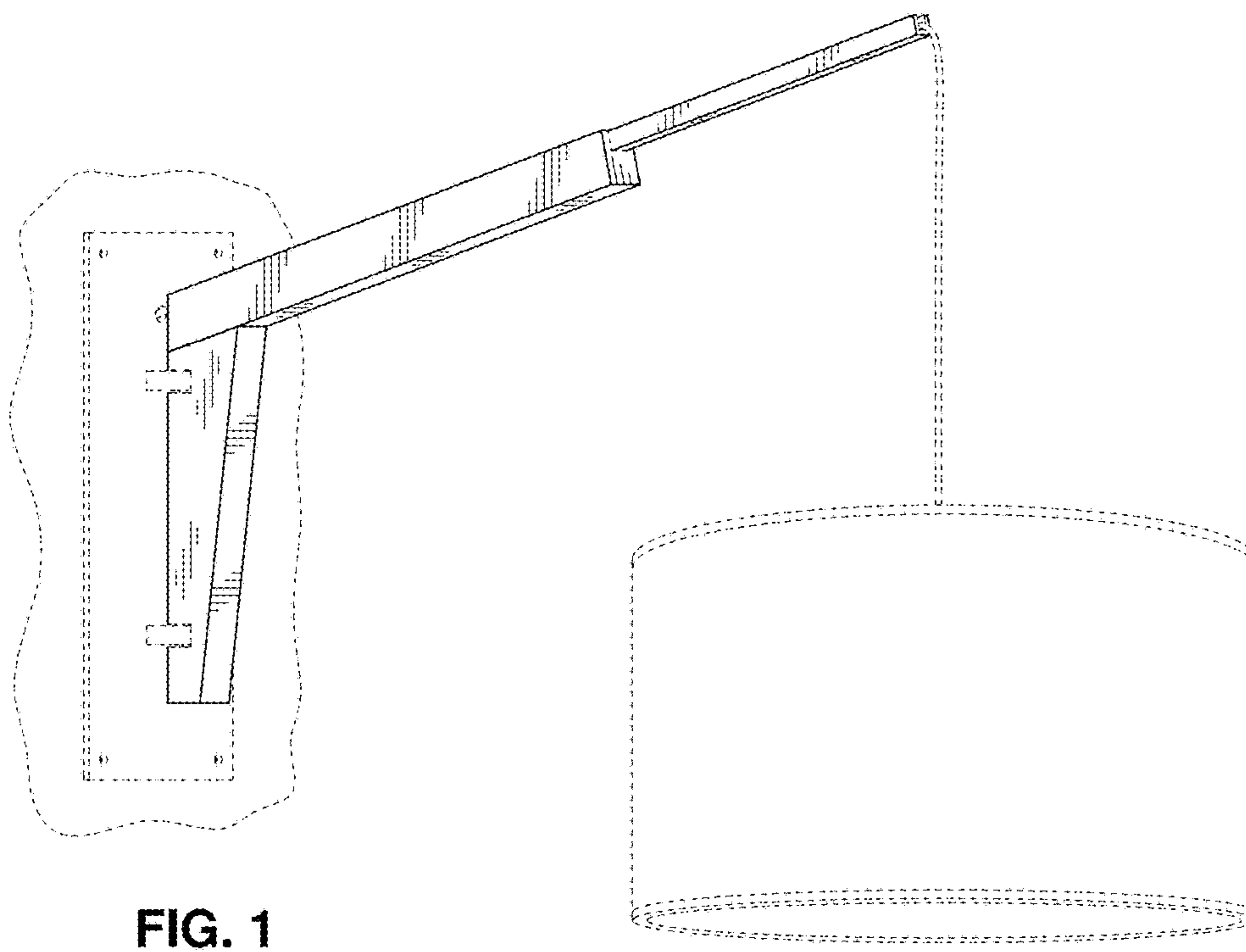


FIG. 1

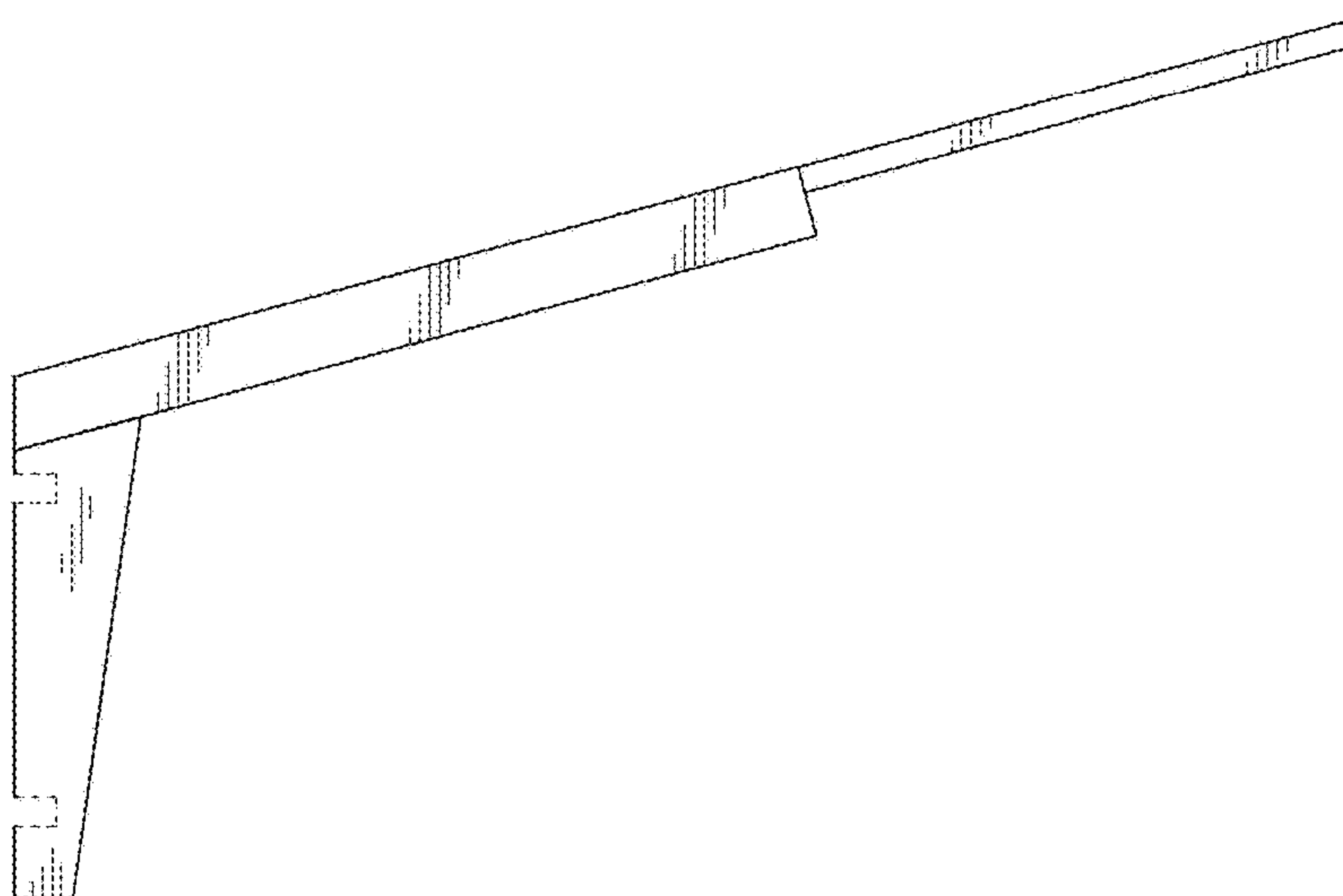


FIG. 2

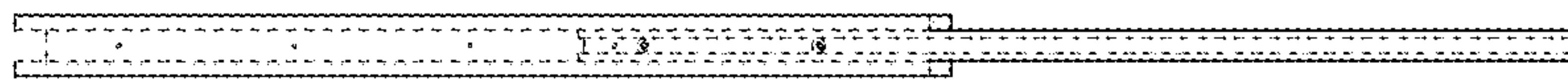


FIG. 3

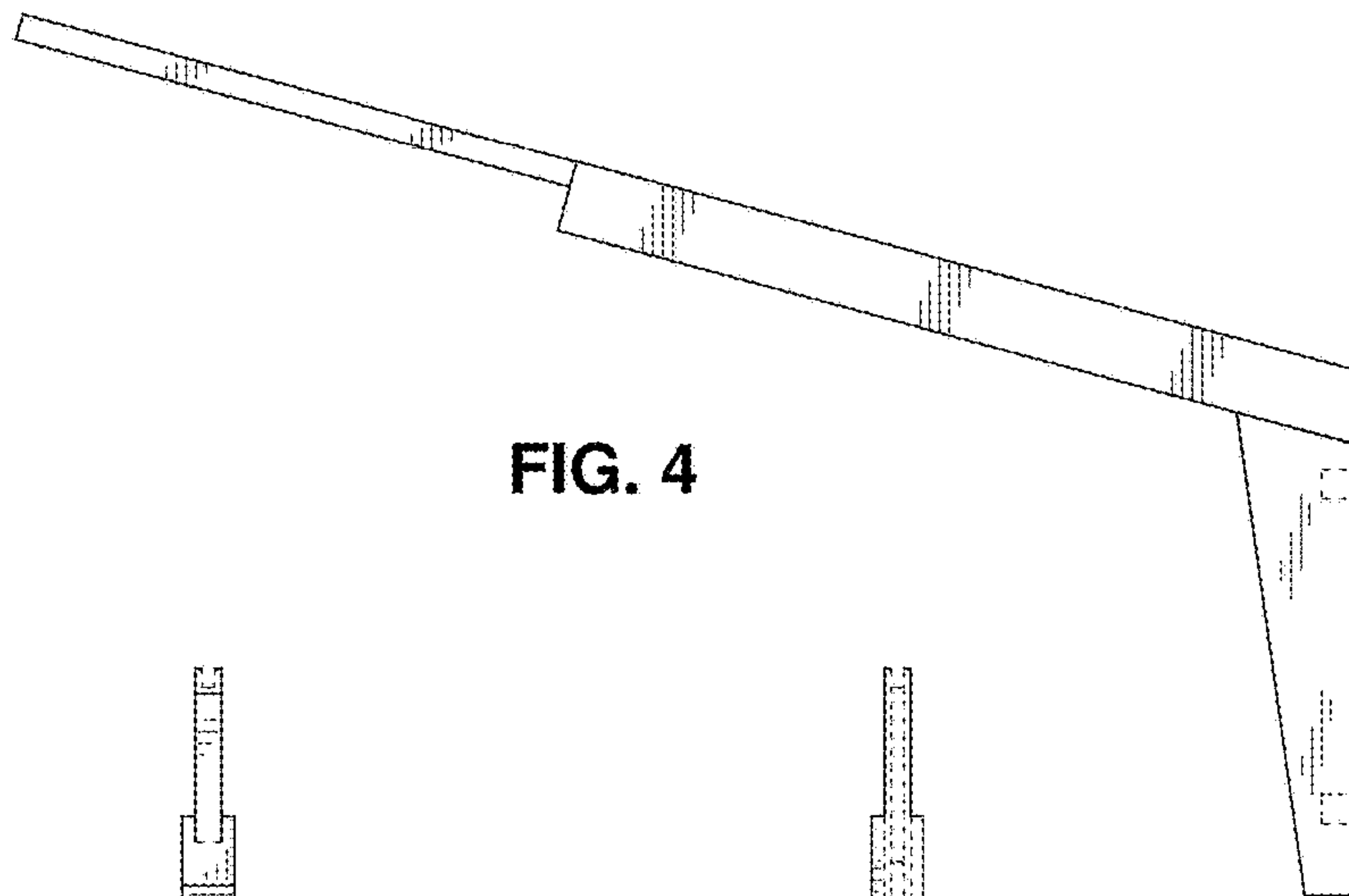


FIG. 4



FIG. 5

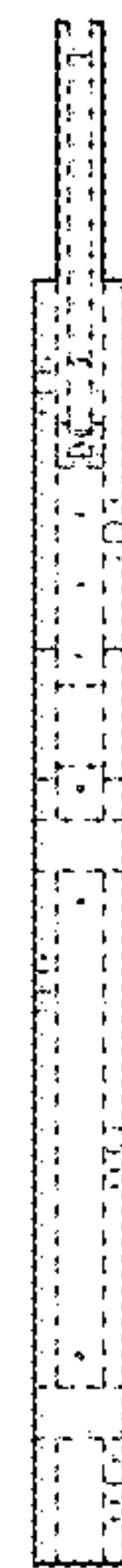


FIG. 6



FIG. 7

