



US00D846179S

(12) **United States Design Patent** (10) **Patent No.:** **US D846,179 S**
Garrett et al. (45) **Date of Patent:** **** Apr. 16, 2019**

(54) **DUAL LIGHTGUIDE LIGHT FIXTURE**

(71) Applicant: **Eaton Intelligent Power Limited,**
Dublin (IE)

(72) Inventors: **Bradley Garrett,** Evergreen, CO (US);
Eric DiFelice, Aurora, CO (US); **Adam Foy,** Parker, CO (US); **John Leon,** Parker, CO (US)

(73) Assignee: **EATON INTELLIGENT POWER LIMITED,** Dublin (IE)

(**) Term: **15 Years**

(21) Appl. No.: **29/636,878**

(22) Filed: **Feb. 12, 2018**

Related U.S. Application Data

(62) Division of application No. 29/556,118, filed on Feb. 26, 2016, now Pat. No. Des. 810,348.

(51) **LOC (11) Cl.** **26-03**

(52) **U.S. Cl.**
USPC **D26/90; D26/76**

(58) **Field of Classification Search**
USPC D26/72, 76, 88, 90, 118, 120
CPC ... F21V 7/04; F21S 8/061; F21S 8/063; F21S 8/068; F21K 9/272; F21K 9/61
See application file for complete search history.

(56) **References Cited**

U.S. PATENT DOCUMENTS

D124,602 S 1/1941 Dreyfuss
D394,727 S 5/1998 Larkin
D565,778 S 4/2008 Pedersen
D616,138 S 5/2010 Lasthein
D632,823 S 2/2011 Kong
D671,258 S 11/2012 Ferrier
D703,361 S 4/2014 Kondou
D704,878 S 5/2014 Wilson

D716,489 S 10/2014 O'Leary
D738,033 S 9/2015 Wilcox
D738,034 S 9/2015 Wilcox
D747,539 S 1/2016 Santoro
D749,776 S 2/2016 Wilcox
D810,348 S * 2/2018 Garrett D26/90
2011/0007518 A1 1/2011 de Lamberterie
2012/0069600 A1 3/2012 Lin et al.
2012/0169967 A1 7/2012 Han et al.
2012/0328242 A1 12/2012 Hesse
2013/0050584 A1 2/2013 Kaihotsu
2013/0077341 A1 3/2013 Kawaii et al.
2013/0208495 A1 8/2013 Dau
2014/0340867 A1 11/2014 Kobayashi et al.

(Continued)

OTHER PUBLICATIONS

LEDs magazine article "Eaton delivers curved LED-lit.scheme".
Published Mar. 15, 2017. (6 pages).

Primary Examiner — Clare E Heffin

(74) *Attorney, Agent, or Firm* — King & Spalding LLP

(57) **CLAIM**

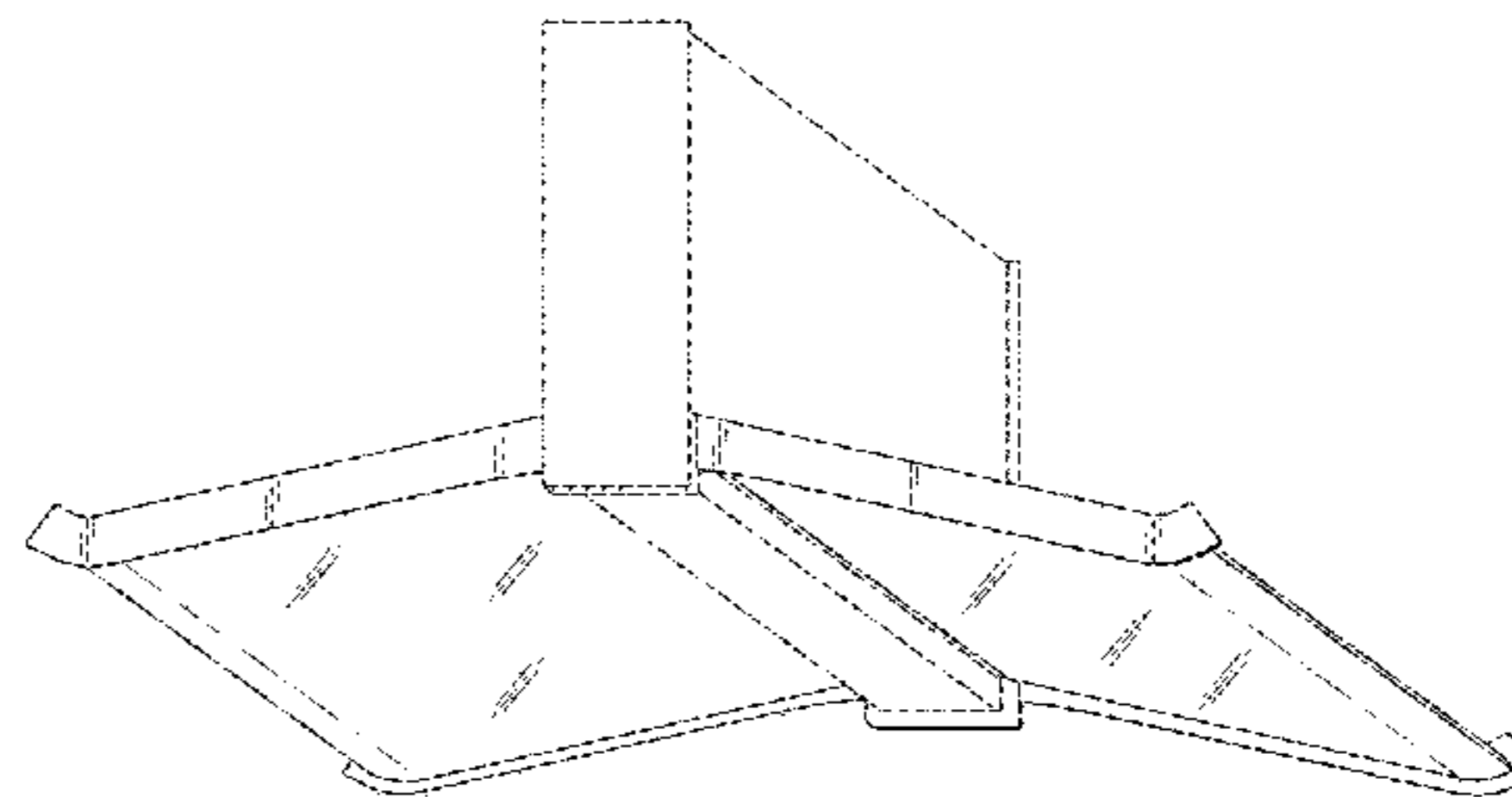
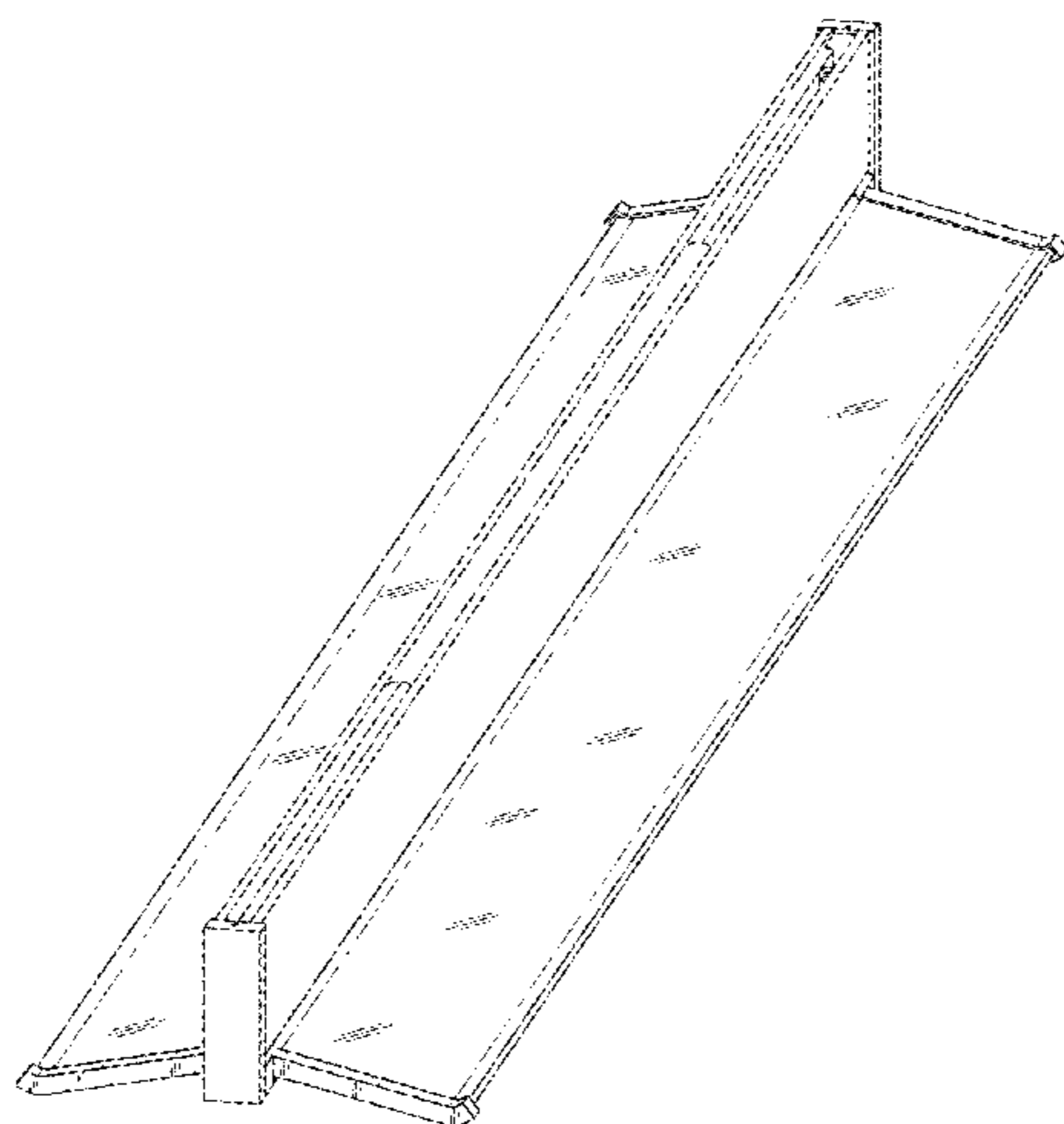
The ornamental design for a dual lightguide light fixture, as shown and described.

DESCRIPTION

FIG. 1 is a top perspective view of a dual lightguide light fixture, showing our new design;
FIG. 2 is a bottom perspective view thereof;
FIG. 3 is a bottom view thereof;
FIG. 4 is a top view thereof;
FIG. 5 is a right side view thereof;
FIG. 6 is a left side view thereof;
FIG. 7 is a front view thereof; and,
FIG. 8 is a rear view thereof.

The broken lines shown in the figures illustrate portions of the dual lightguide light fixture that form no part of the claimed design.

1 Claim, 5 Drawing Sheets



(56)

References Cited

U.S. PATENT DOCUMENTS

2014/0347885	A1	11/2014	Wilcox	
2015/0138829	A1	5/2015	Jang	
2015/0168626	A1	6/2015	Schinagl	
2015/0177439	A1	6/2015	Durkee	
2016/0161659	A1	6/2016	Minami et al.	
2017/0082252	A1	3/2017	Casement	
2017/0159913	A1	6/2017	Horvath et al.	
2017/0184284	A1	6/2017	Van Winkle	
2018/0031217	A1*	2/2018	Tuchler	F21S 8/026
2018/0163947	A1*	6/2018	Kim	F21V 7/04
2018/0172246	A1*	6/2018	Walker	F21V 21/005

* cited by examiner

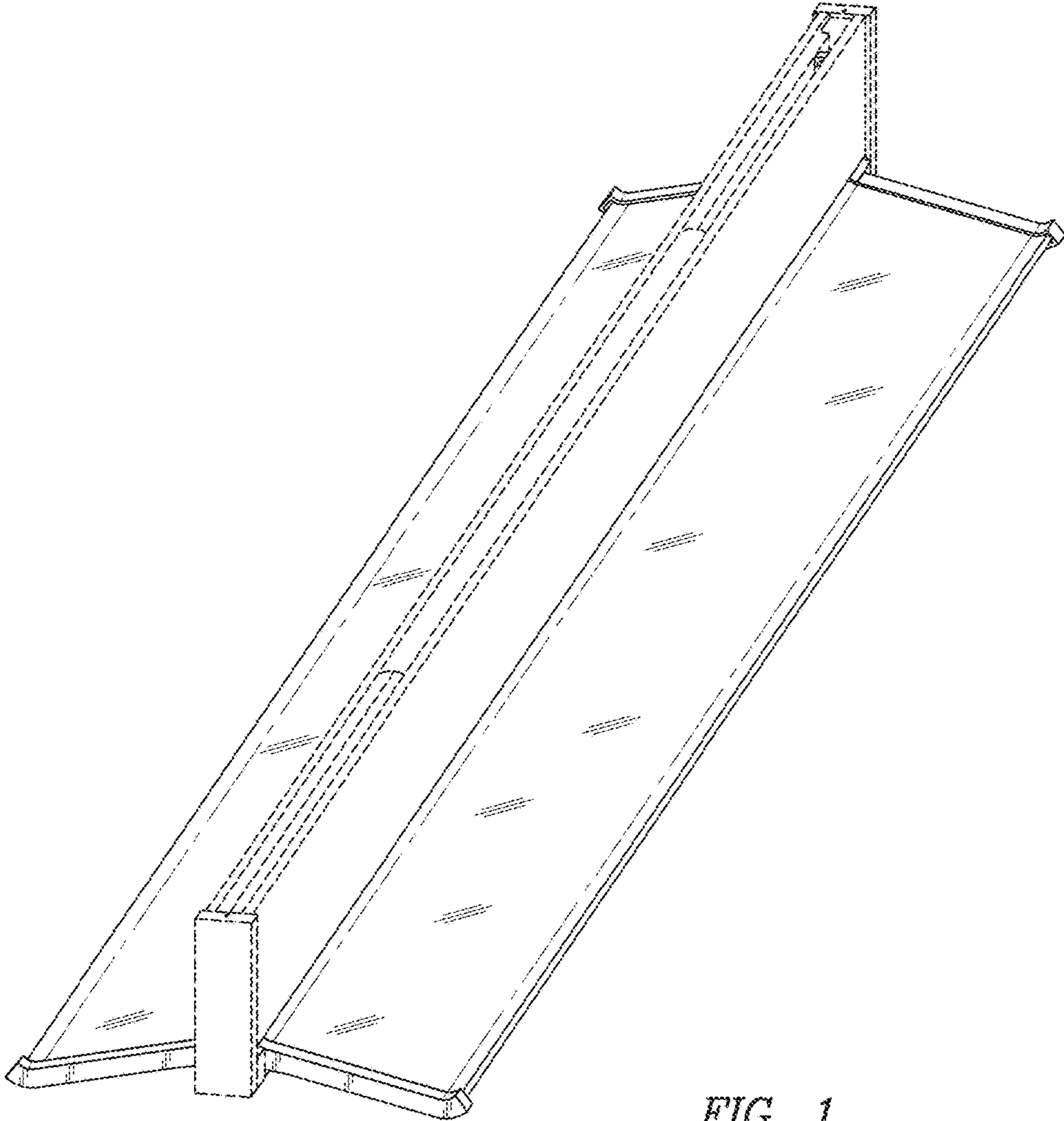


FIG. 1

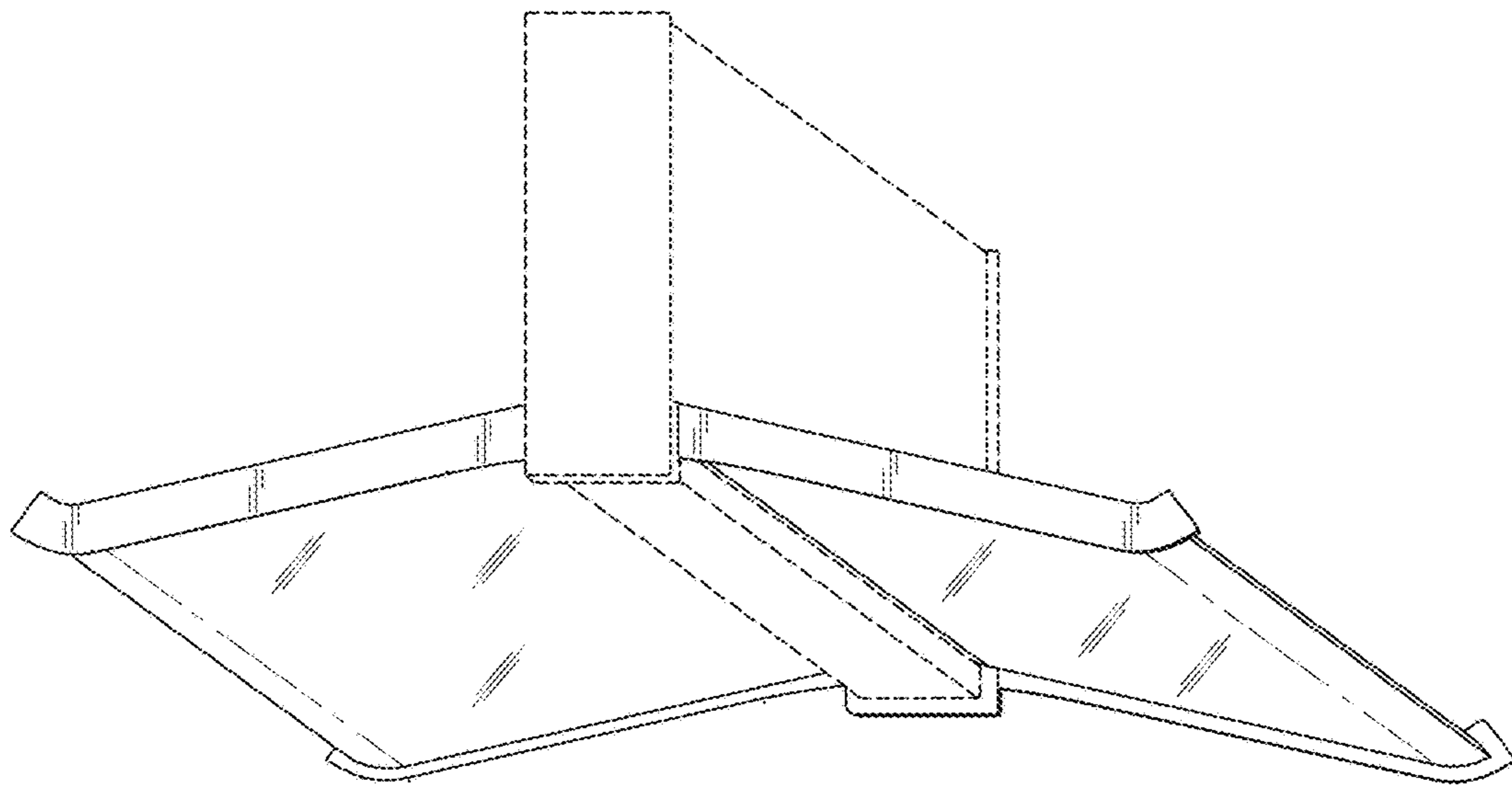


FIG. 2

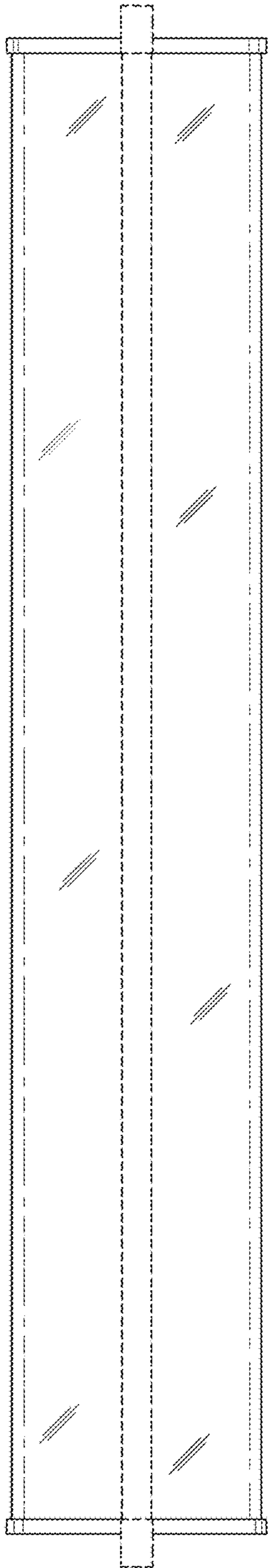


FIG. 3

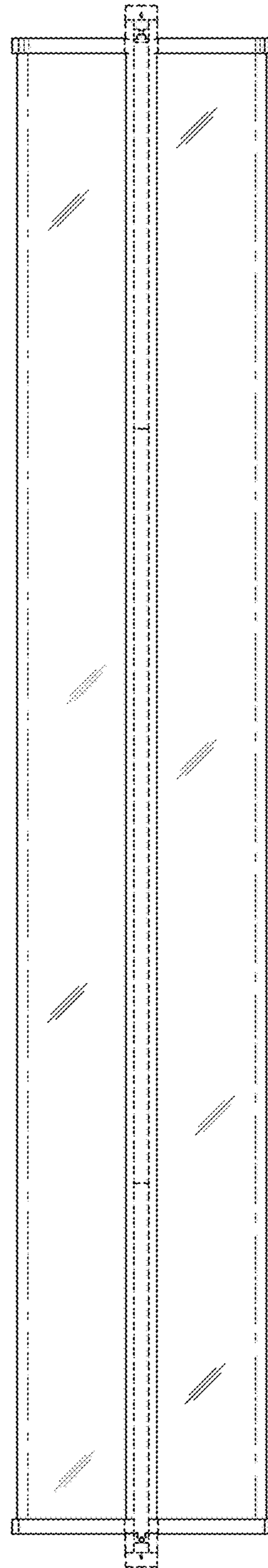


FIG. 4

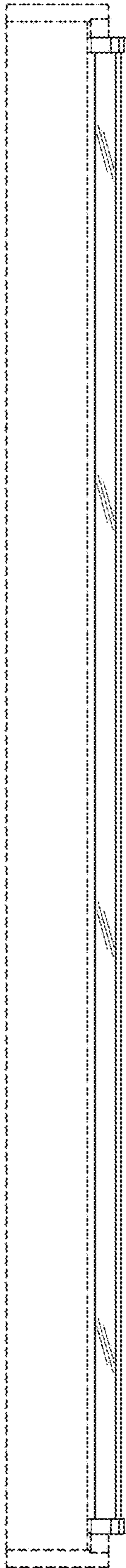


FIG. 5

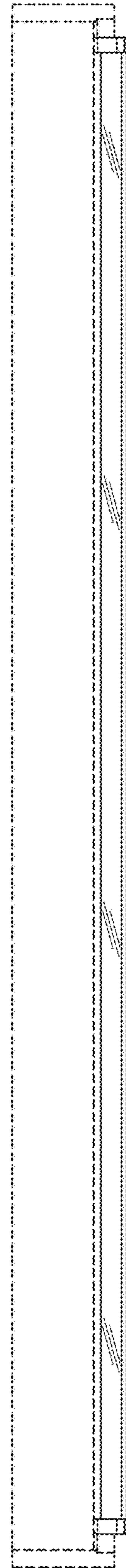


FIG. 6

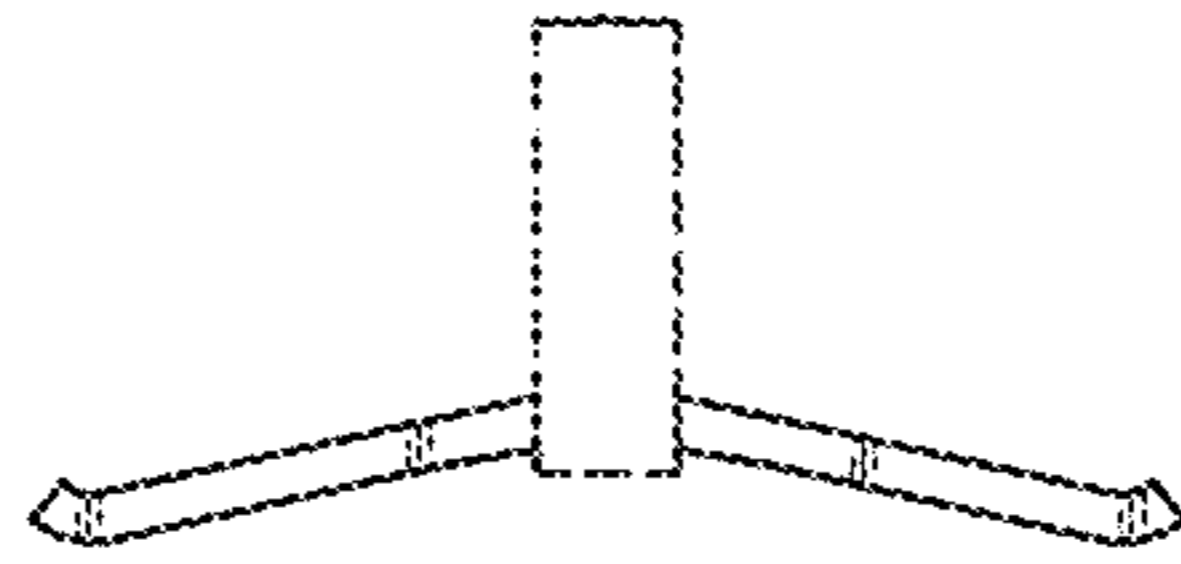


FIG. 7

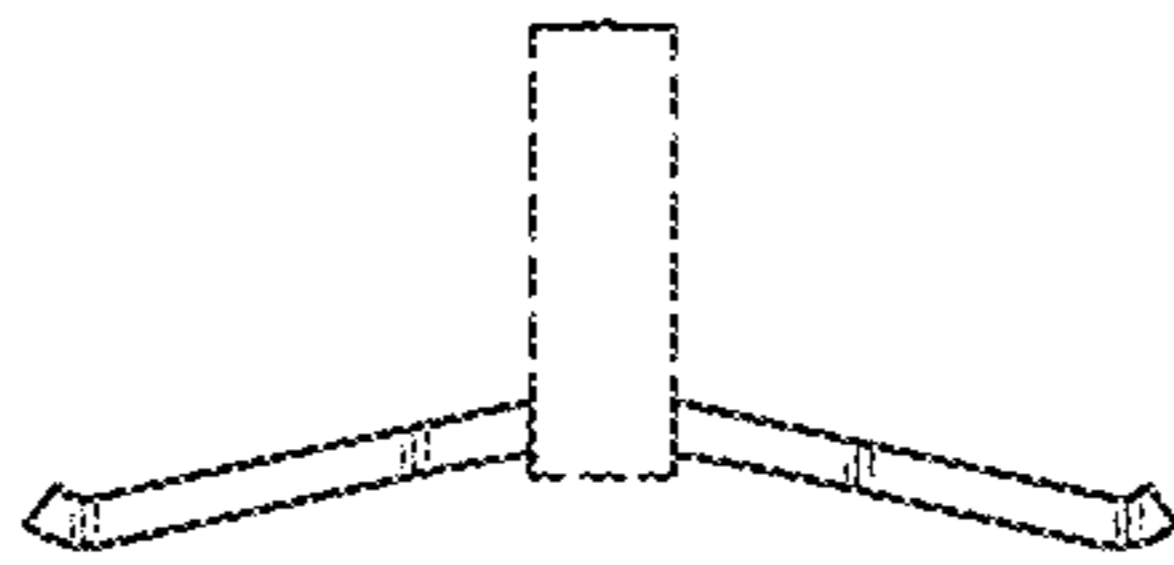


FIG. 8