

US00D846176S

(12) **United States Design Patent** (10) **Patent No.:** **US D846,176 S**
Adams et al. (45) **Date of Patent:** **** Apr. 16, 2019**

(54) **HORTICULTURAL LIGHTING FIXTURE**
(71) Applicant: **Illum Horticulture LLC**, Mesa, AZ (US)
(72) Inventors: **Stephen P. Adams**, Mesa, AZ (US); **Johnathan J. Heiner**, Mesa, AZ (US)
(73) Assignee: **Illum Horticulture LLC**, Mesa, AZ (US)

D750,313 S * 2/2016 Reynolds D26/118
D783,888 S * 4/2017 Reynolds D26/118
D791,997 S * 7/2017 van den Dool D26/76
D792,635 S * 7/2017 Reynolds D26/118
D793,616 S * 8/2017 Reynolds D26/118
D796,727 S * 9/2017 Reynolds D26/118
D797,353 S * 9/2017 Stanley D26/118
D805,235 S * 12/2017 Waldmann D26/76
D806,926 S * 1/2018 Goetz-Schaefer D26/76
D808,061 S * 1/2018 Wouters D26/78
2010/0157610 A1* 6/2010 Xiao F21V 15/013
362/370

(**) Term: **15 Years**

* cited by examiner

(21) Appl. No.: **29/595,331**

Primary Examiner — Mark A Goodwin

(22) Filed: **Feb. 27, 2017**

Assistant Examiner — Benjamin M Weeks

(51) **LOC (11) Cl.** **26-04**

(74) *Attorney, Agent, or Firm* — Michael T. Wallace

(52) **U.S. Cl.**
USPC **D26/76**

(57) **CLAIM**

(58) **Field of Classification Search**
USPC ... D26/3, 37, 67, 71, 72, 75, 78, 79, 80, 81,
D26/82, 83, 85, 86, 88, 90, 113, 118
CPC F21S 8/06; F21S 8/031; F21S 4/00; F21Y
2101/00
See application file for complete search history.

The ornamental design for a horticultural lighting fixture, as shown and described.

DESCRIPTION

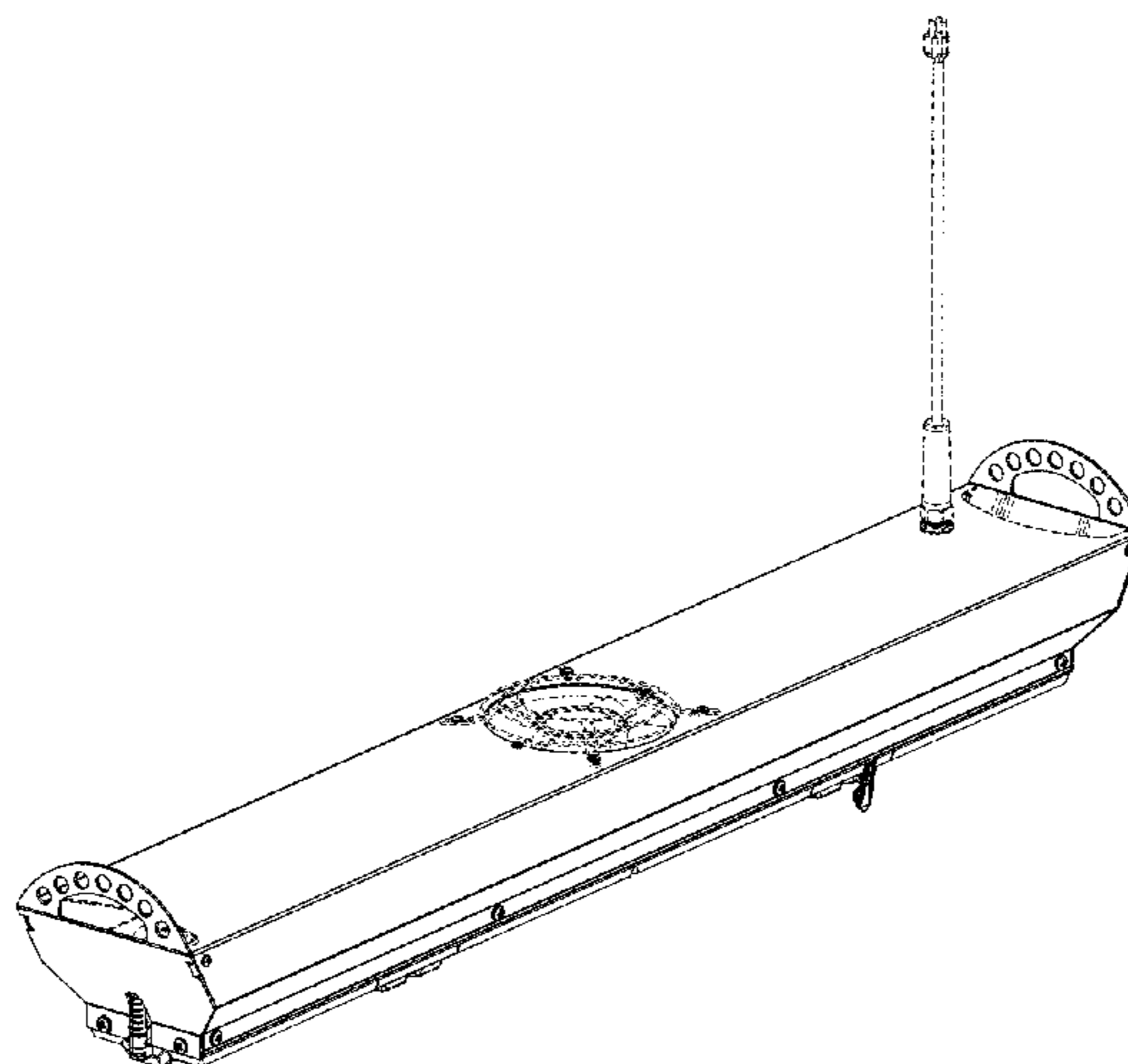
(56) **References Cited**

U.S. PATENT DOCUMENTS

D189,430 S * 12/1960 Gross D26/78
D437,959 S * 2/2001 Lewis D26/76
D461,923 S * 8/2002 Chelf 72/89
D633,640 S * 3/2011 Wouters D26/76
D664,706 S * 7/2012 Schieffelin D26/122
D674,964 S * 1/2013 Bailey D26/118
D675,365 S * 1/2013 Beghelli D26/78
D695,443 S * 12/2013 Kaule D26/76
D730,558 S * 5/2015 Dungan D26/76
D733,347 S * 6/2015 Dungan D26/76
D738,026 S * 9/2015 Dungan D26/76
D738,031 S * 9/2015 Martins D26/118
D738,563 S * 9/2015 Martins D26/118
D749,542 S * 2/2016 Ahn D14/204

FIG. 1 is front, top, left perspective view of my new design for a horticultural lighting fixture;
FIG. 2 is a front, top, right perspective view thereof;
FIG. 3 is a back, bottom, right perspective view thereof;
FIG. 4 is a back, bottom, left perspective view thereof;
FIG. 5 is a front, bottom, left perspective view thereof;
FIG. 6 is a front, bottom, right perspective view thereof;
FIG. 7 is a back view thereof;
FIG. 8 is a front view thereof;
FIG. 9 is a right side view thereof;
FIG. 10 is a left side view thereof;
FIG. 11 is a top view thereof; and,
FIG. 12 is a bottom view thereof.
The broken lines in the drawings illustrate portions of the horticultural light fixture which form no part of the claimed design.

1 Claim, 12 Drawing Sheets



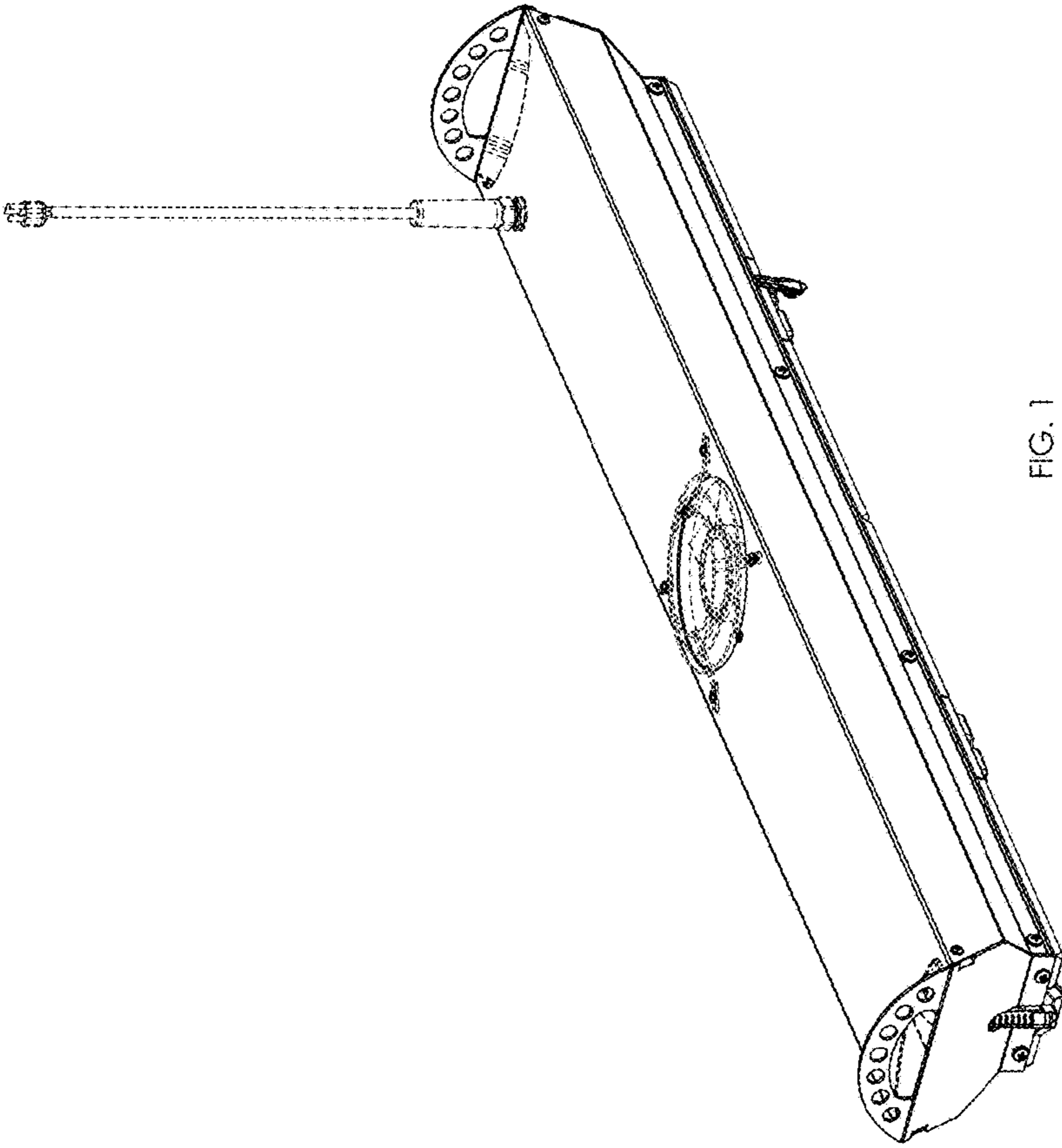


FIG. 1

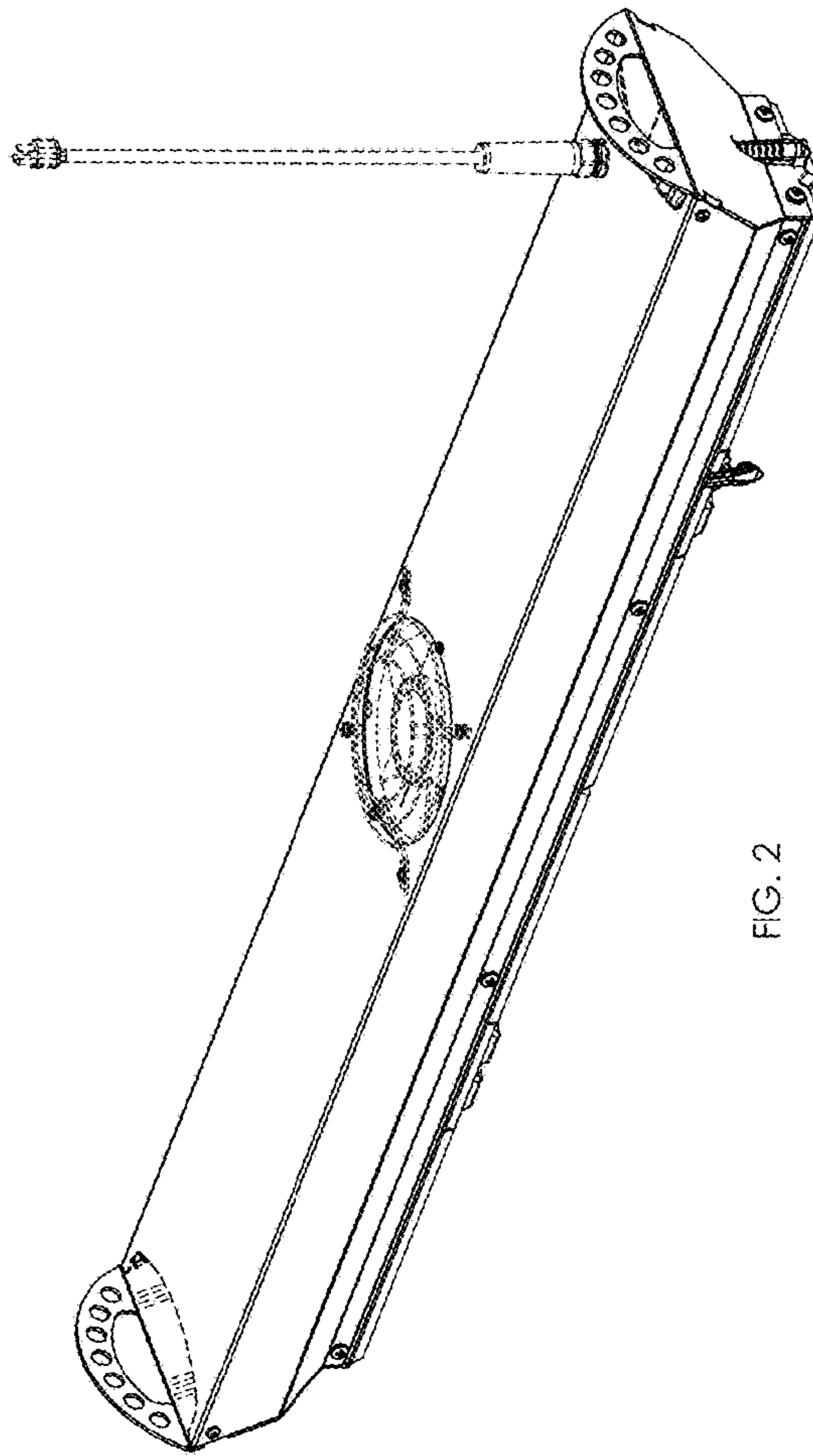


FIG. 2

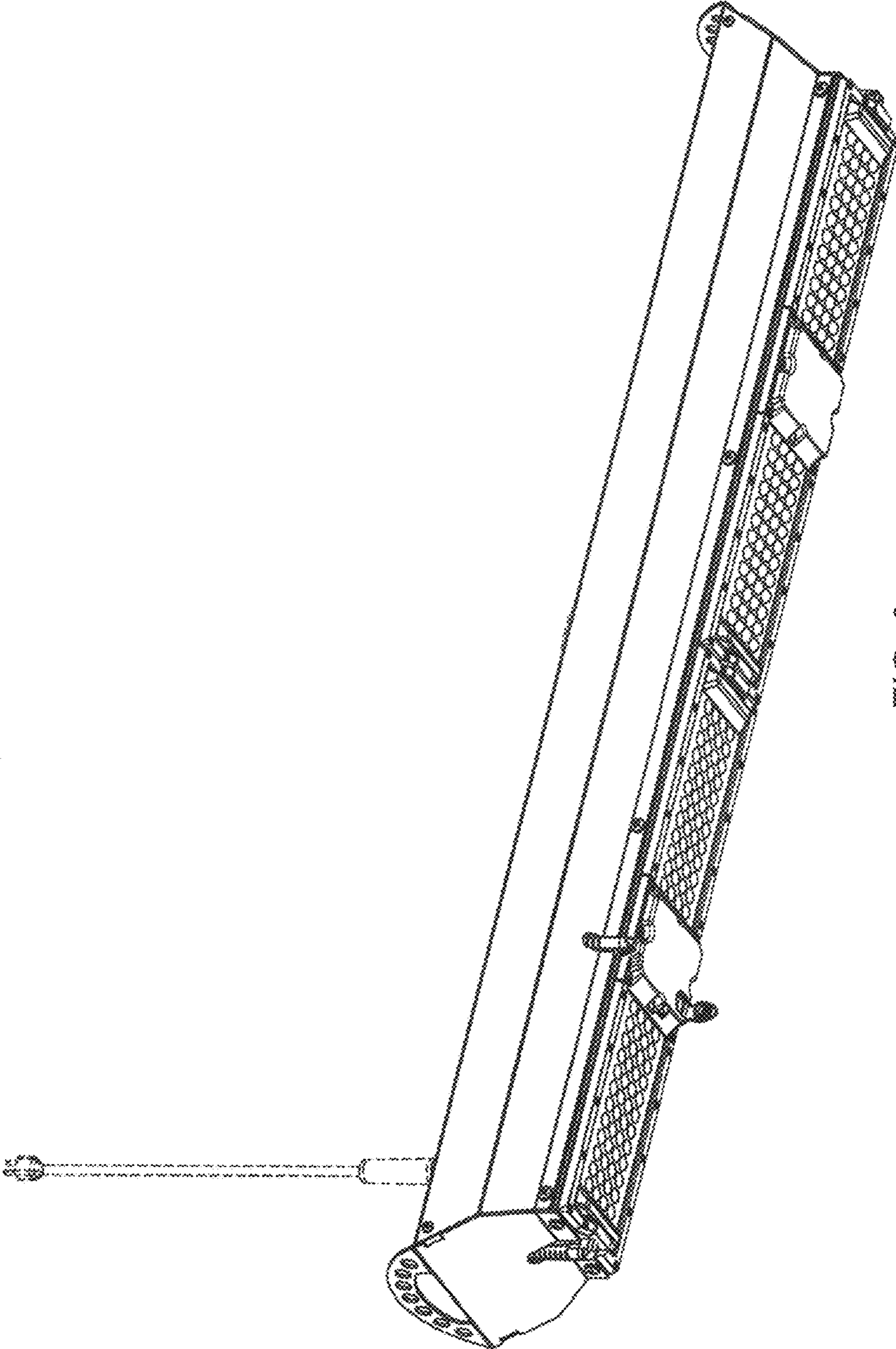


FIG. 3

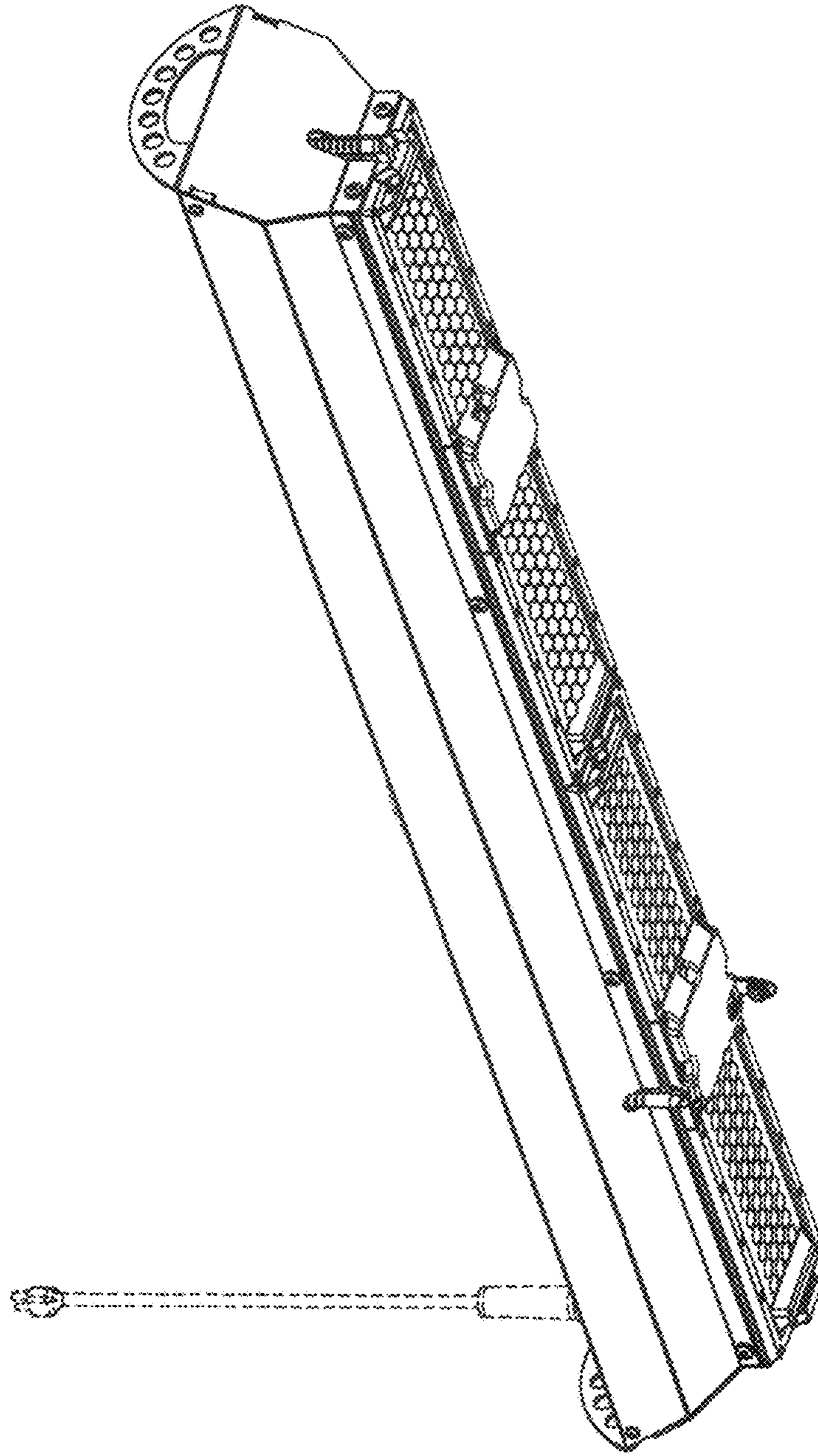


FIG. 4

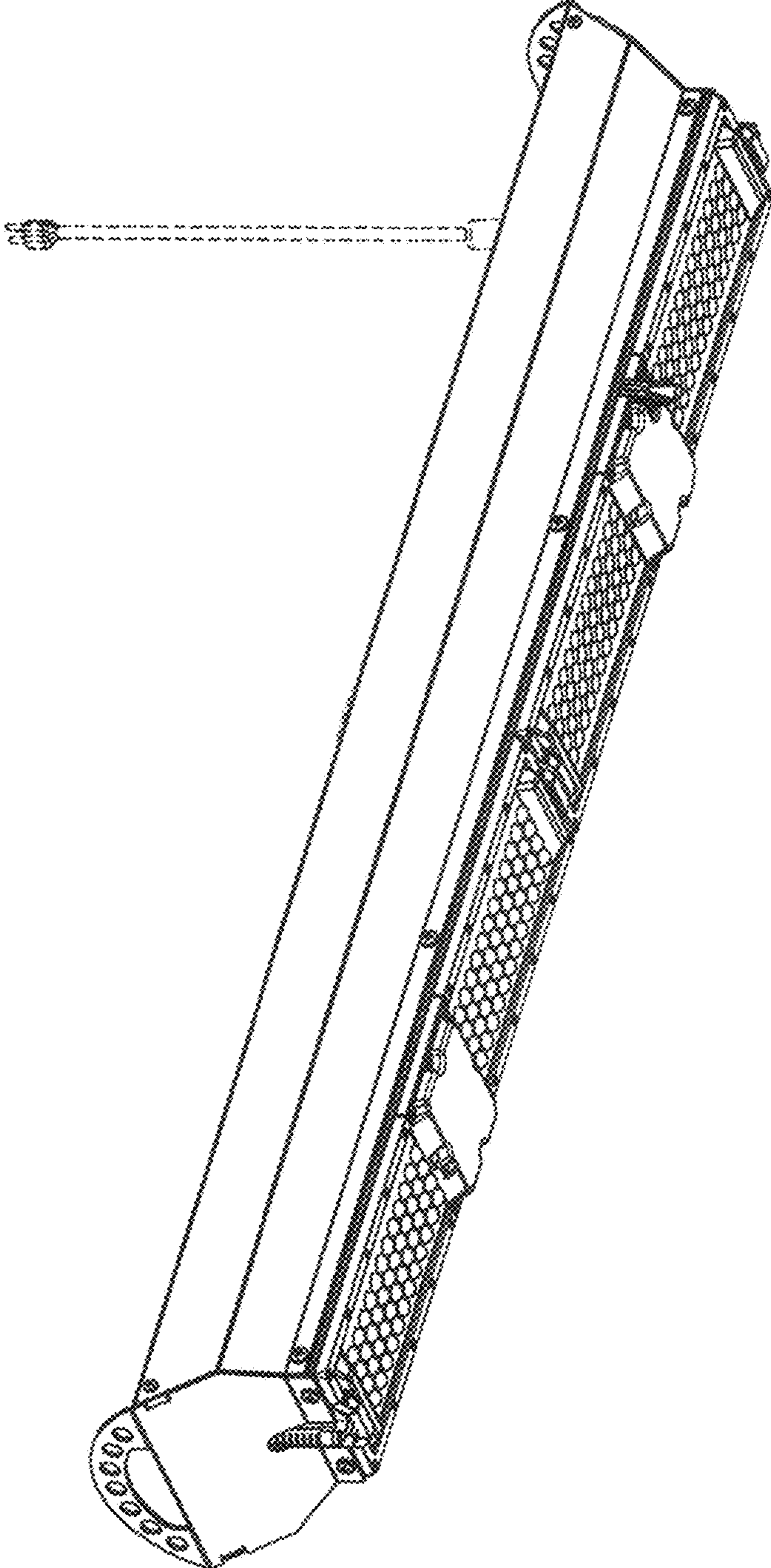


FIG. 5

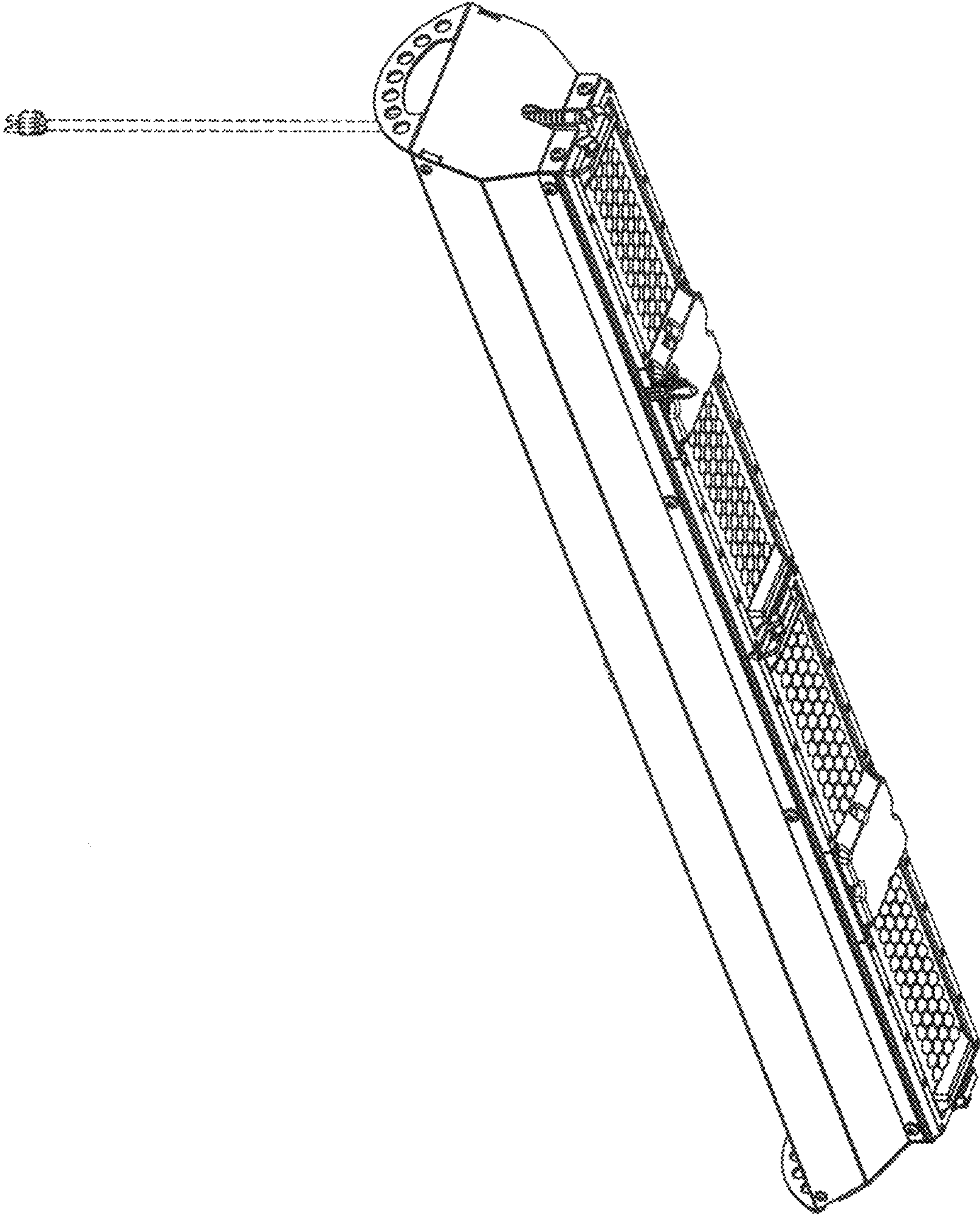


FIG. 6

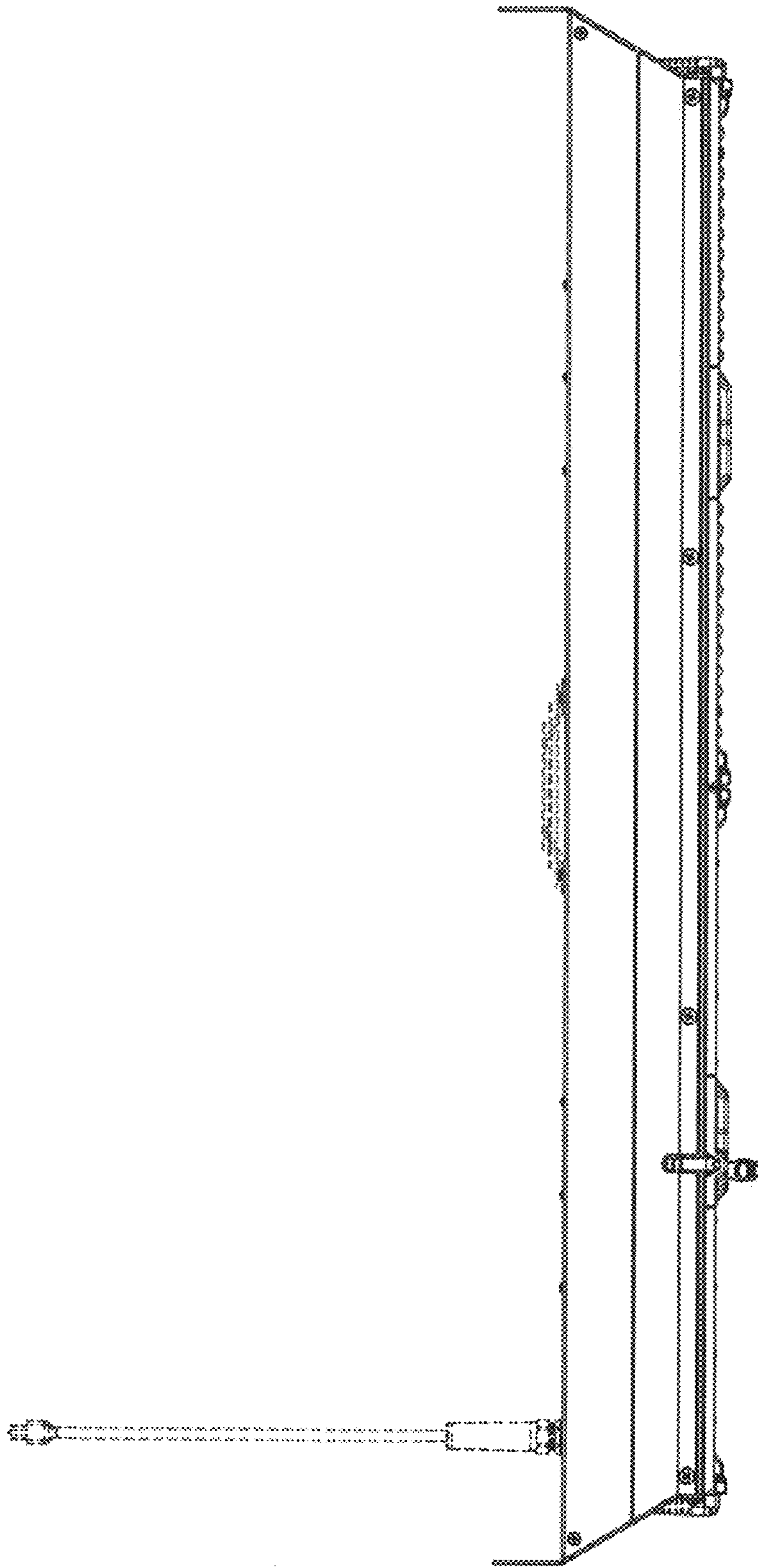


FIG. 7

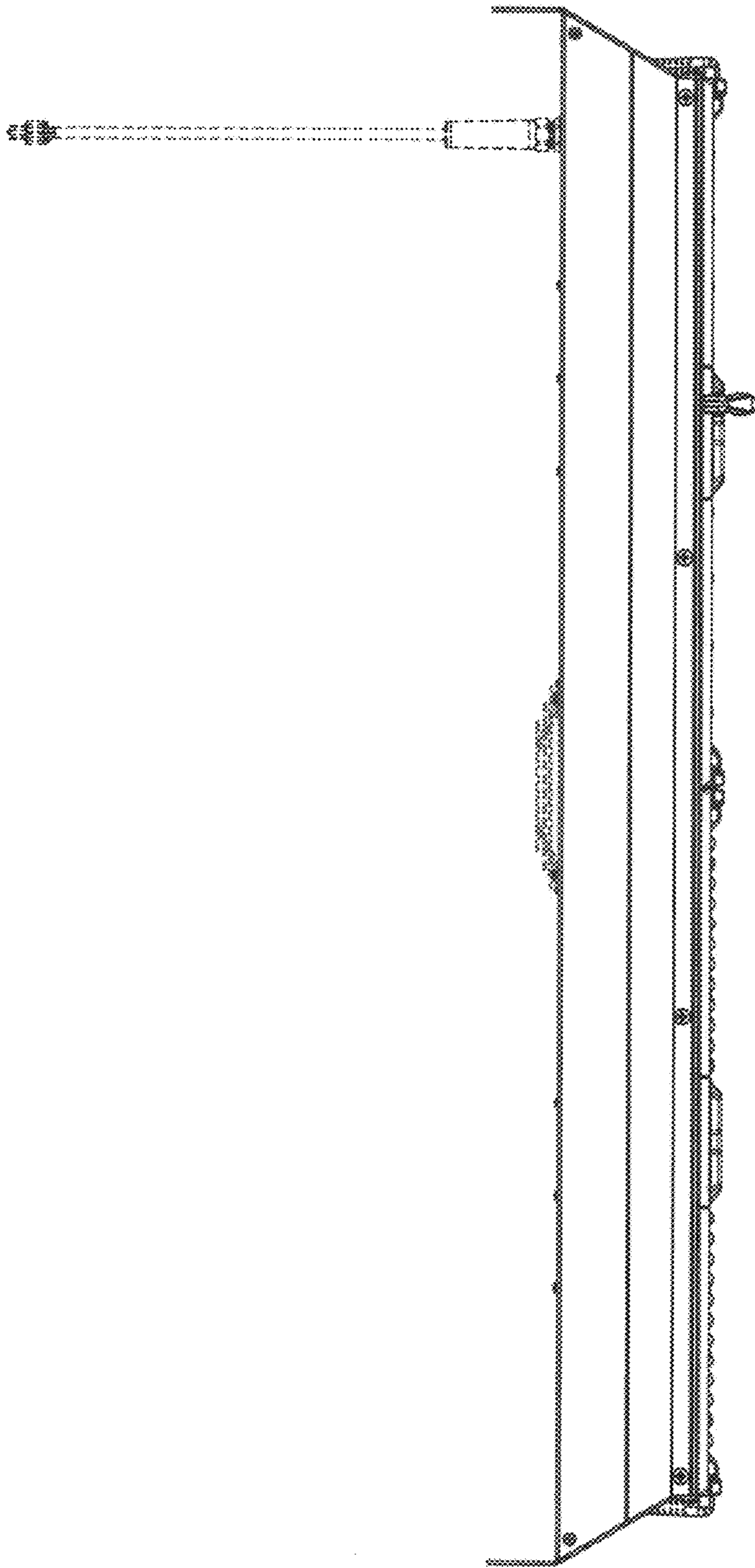


FIG. 8

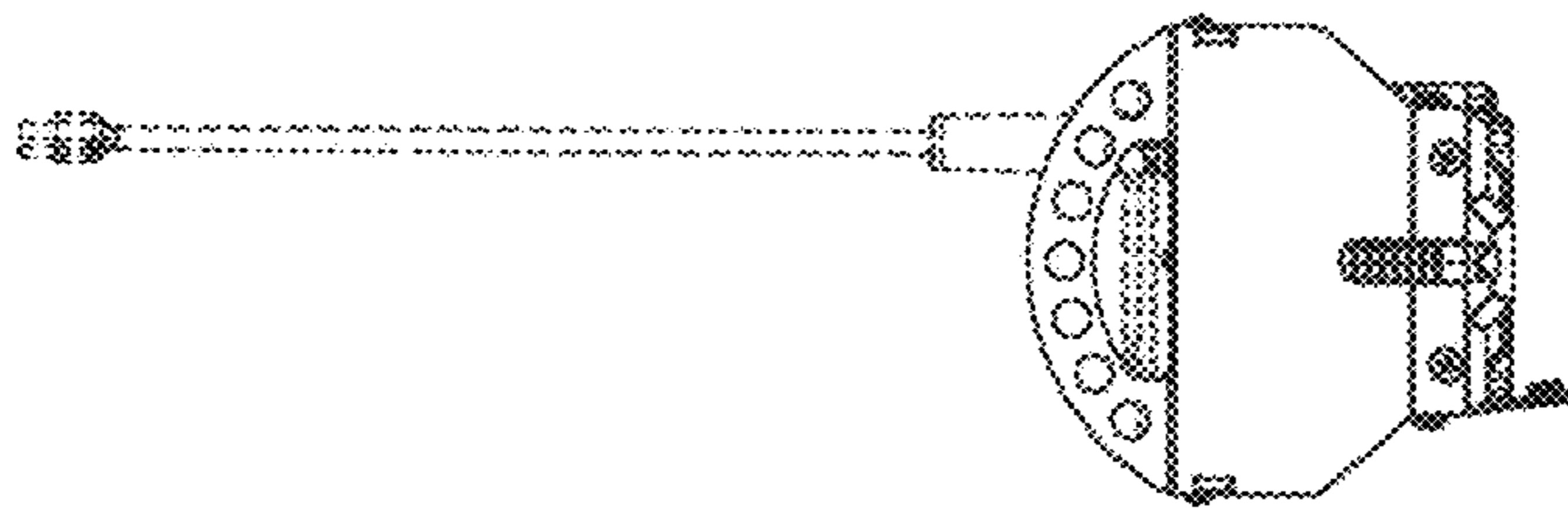


FIG. 9

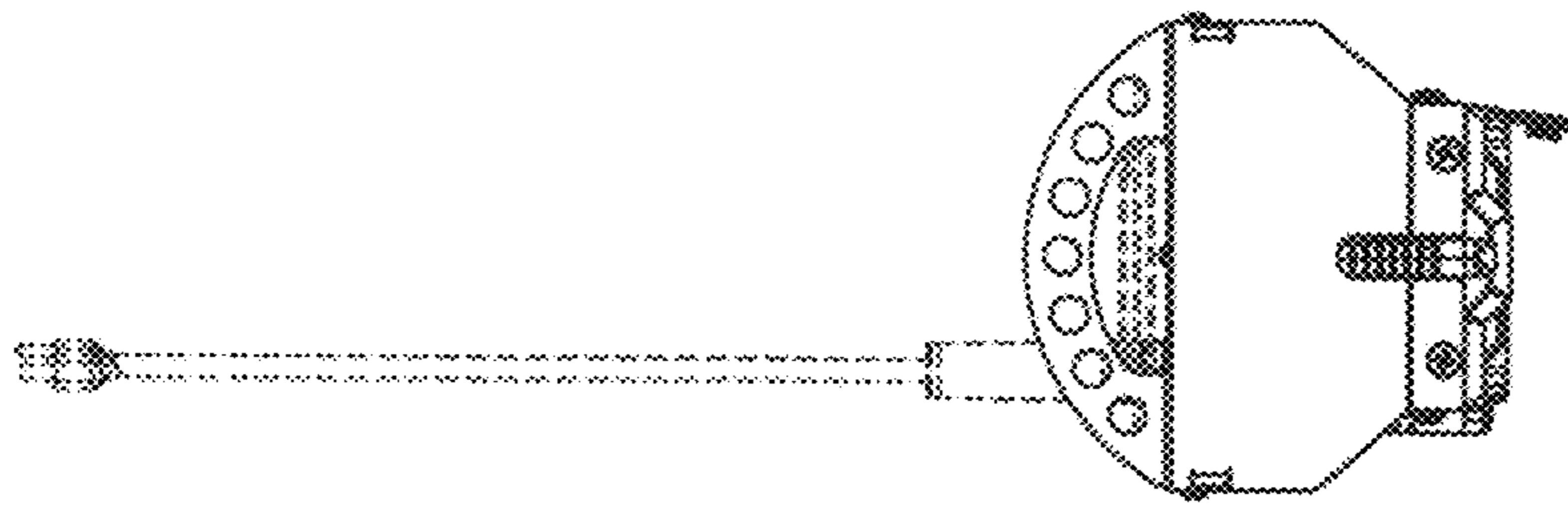


FIG. 10

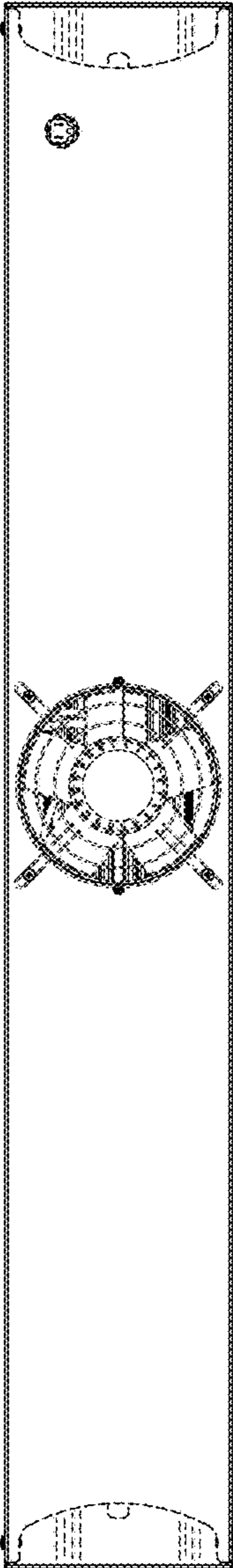


FIG. 11

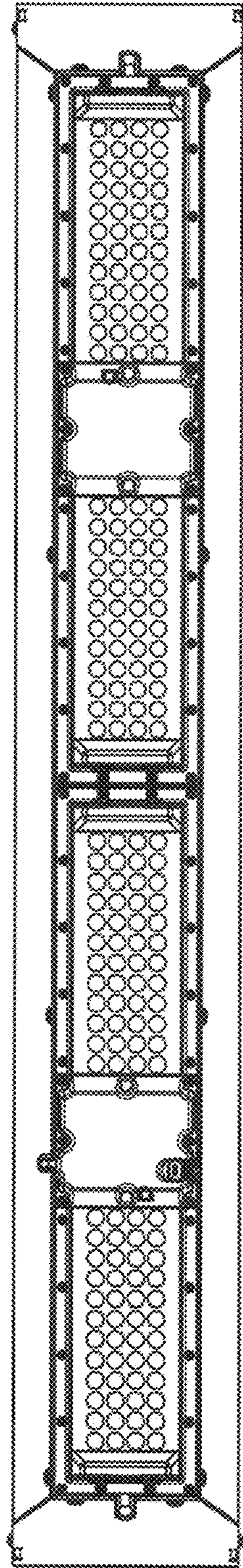


FIG. 12