



US00D846175S

(12) **United States Design Patent**
Baumeister et al.

(10) **Patent No.:** **US D846,175 S**
(45) **Date of Patent:** **** Apr. 16, 2019**

(54) **LED LIGHT**

(71) Applicant: **BJB GmbH & Co. KG**, Arnsberg (DE)

(72) Inventors: **Olaf Baumeister**, Sundern (DE); **Frank Welslau**, Arnsberg (DE)

(73) Assignee: **BJB GmbH & Co. KG**, Arnsberg (DE)

(**) Term: **15 Years**

(21) Appl. No.: **29/554,192**

(22) Filed: **Feb. 9, 2016**

(30) **Foreign Application Priority Data**

Aug. 18, 2015 (EP) 002756296

(51) **LOC (11) Cl.** **26-05**

(52) **U.S. Cl.**
USPC **D26/74**

(58) **Field of Classification Search**
USPC D26/74, 72, 75, 76, 77, 78, 85, 88, 89,
D26/118, 138, 141; 362/364, 365, 373,
(Continued)

(56) **References Cited**

U.S. PATENT DOCUMENTS

D362,314 S * 9/1995 Shemitz D26/63
D589,638 S * 3/2009 Collins D26/72
(Continued)

Primary Examiner — Angela J Lee

(74) *Attorney, Agent, or Firm* — Von Rohrscheidt Patents

(57) **CLAIM**

The ornamental design for a LED light, as shown and described.

DESCRIPTION

FIG. 1 illustrates a front right slanted side view of an embodiment of the LED light showing the new design.

FIG. 2 illustrates a front view of the LED light in FIG. 1. FIG. 3 illustrates a rear view of the LED light in FIG. 1. FIG. 4 illustrates a short side view of the LED light in FIG. 1.

FIG. 5 illustrates a long side view of the LED light in FIG. 1.

FIG. 6 illustrates a long side view of the LED light in FIG. 1.

FIG. 7 illustrates a short side view of the LED light in FIG. 1.

FIG. 8 illustrates a top view of the second embodiment of the LED light showing the new design.

FIG. 9 illustrates a rear view of the LED light in FIG. 8.

FIG. 10 illustrates a short side view of the LED light in FIG. 8.

FIG. 11 illustrates a long side view of the LED light in FIG. 8.

FIG. 12 illustrates a short side view of the LED light in FIG. 8.

FIG. 13 illustrates a long side view of the LED light in FIG. 8.

FIG. 14 illustrates a front right slanted side view of the LED light in FIG. 8.

FIG. 15 illustrates a top view of the third embodiment of the LED light showing the new design.

FIG. 16 illustrates a rear view of the LED light in FIG. 15.

FIG. 17 illustrates a short side view of the LED light in FIG. 15.

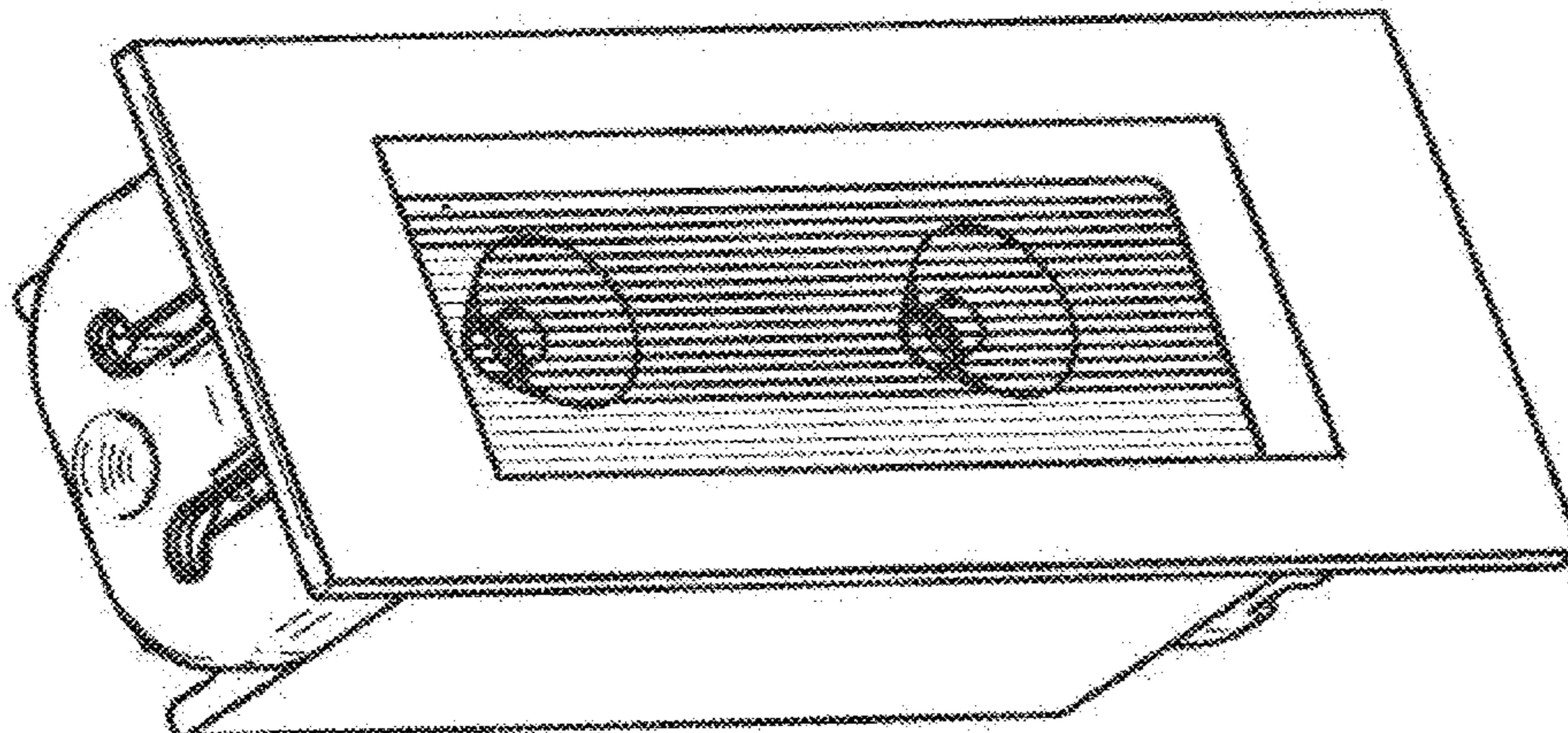
FIG. 18 illustrates a long side view of the LED light in FIG. 15.

FIG. 19 illustrates a short side view of the LED light in FIG. 15.

FIG. 20 illustrates a long side view of the LED light in FIG. 15; and,

FIG. 21 illustrates a right slanted view of the LED light in FIG. 15.

1 Claim, 12 Drawing Sheets



(58) **Field of Classification Search**

USPC 362/145, 146, 147, 148, 150, 153, 153.1,
362/294, 296.01, 296.07, 296.08

See application file for complete search history.

(56) **References Cited**

U.S. PATENT DOCUMENTS

D628,734 S *	12/2010	Waldmann	D26/74
D670,851 S *	11/2012	Tsai	D26/76
D679,853 S *	4/2013	Chiou	D26/63
D708,385 S *	7/2014	Krogman	D26/118
D709,238 S *	7/2014	May	D26/72
D768,903 S *	10/2016	Guzzini	D26/74
D773,108 S *	11/2016	Anderson	D26/118
D786,475 S *	5/2017	Hargreaves	D26/76
D786,478 S *	5/2017	Waldmann	D26/76
D792,000 S *	7/2017	Burroughs	D26/78
D793,602 S *	8/2017	Liu	D26/76

* cited by examiner

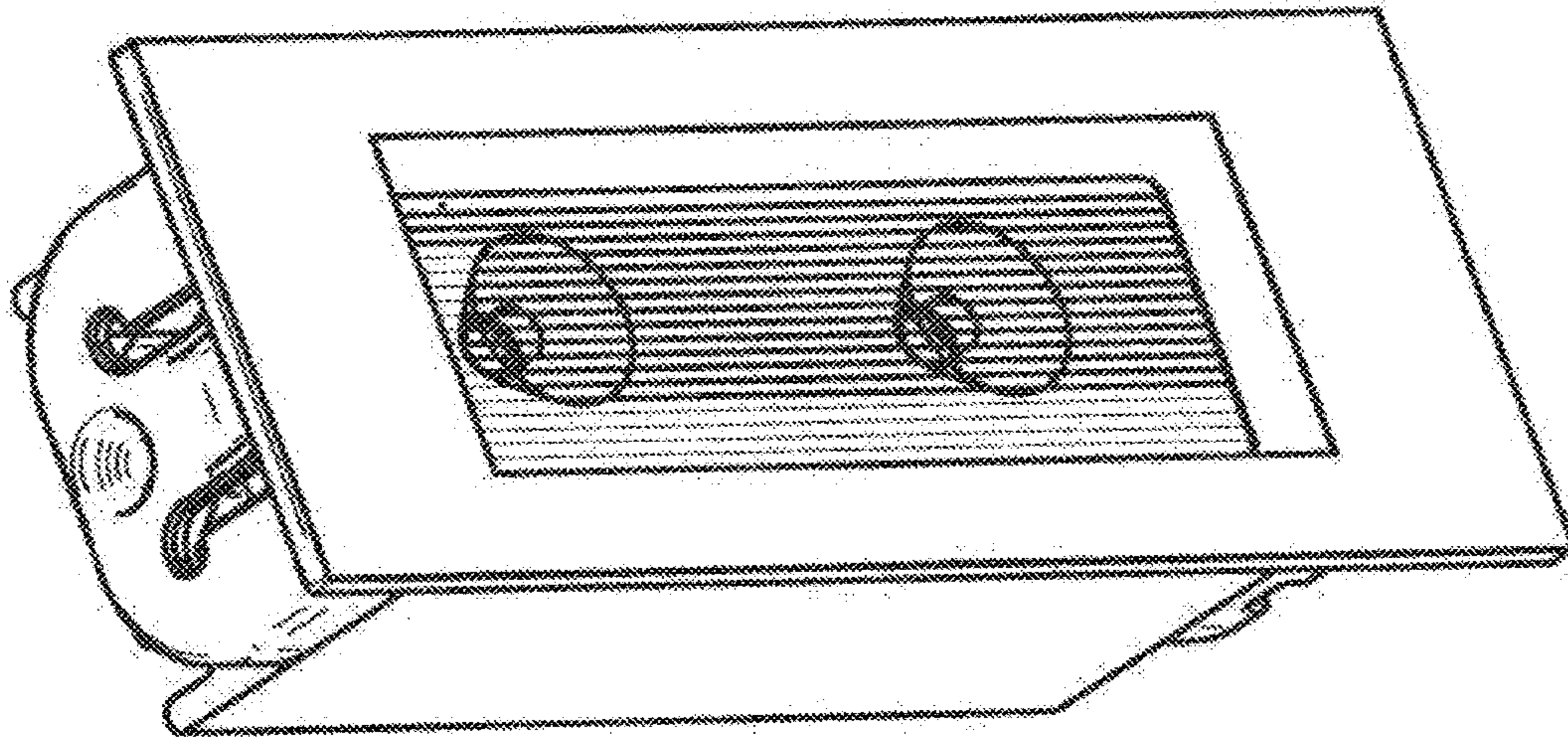


FIG. 1

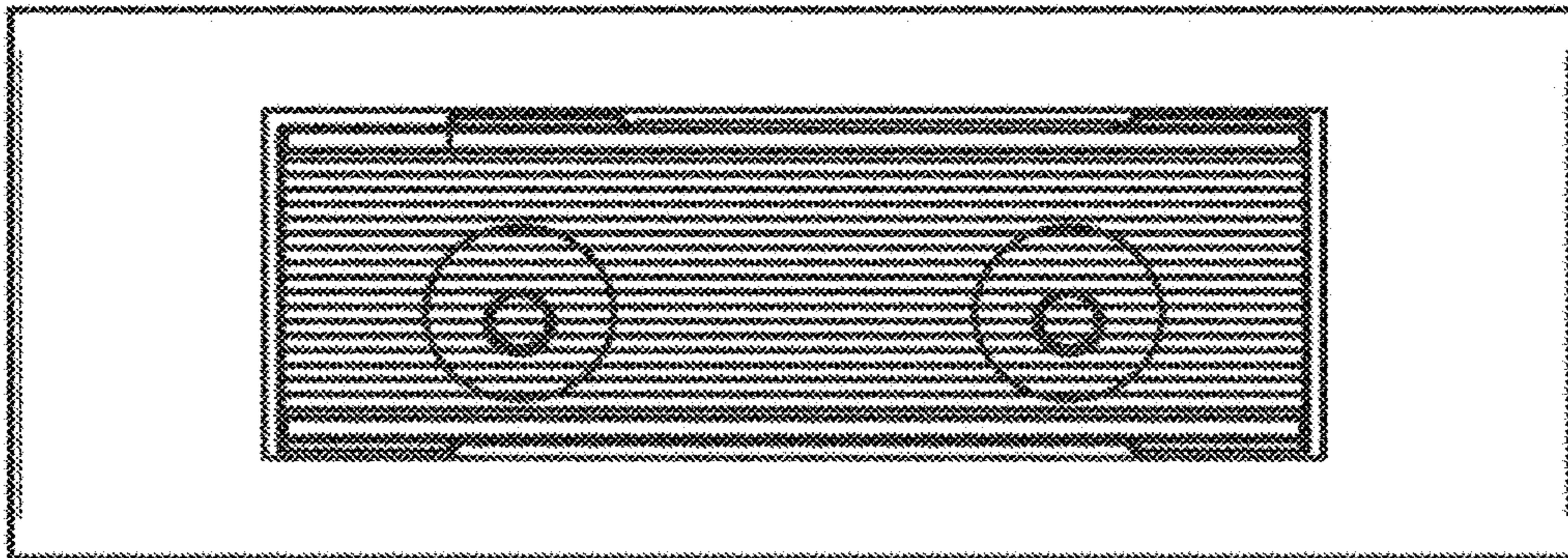


FIG. 2

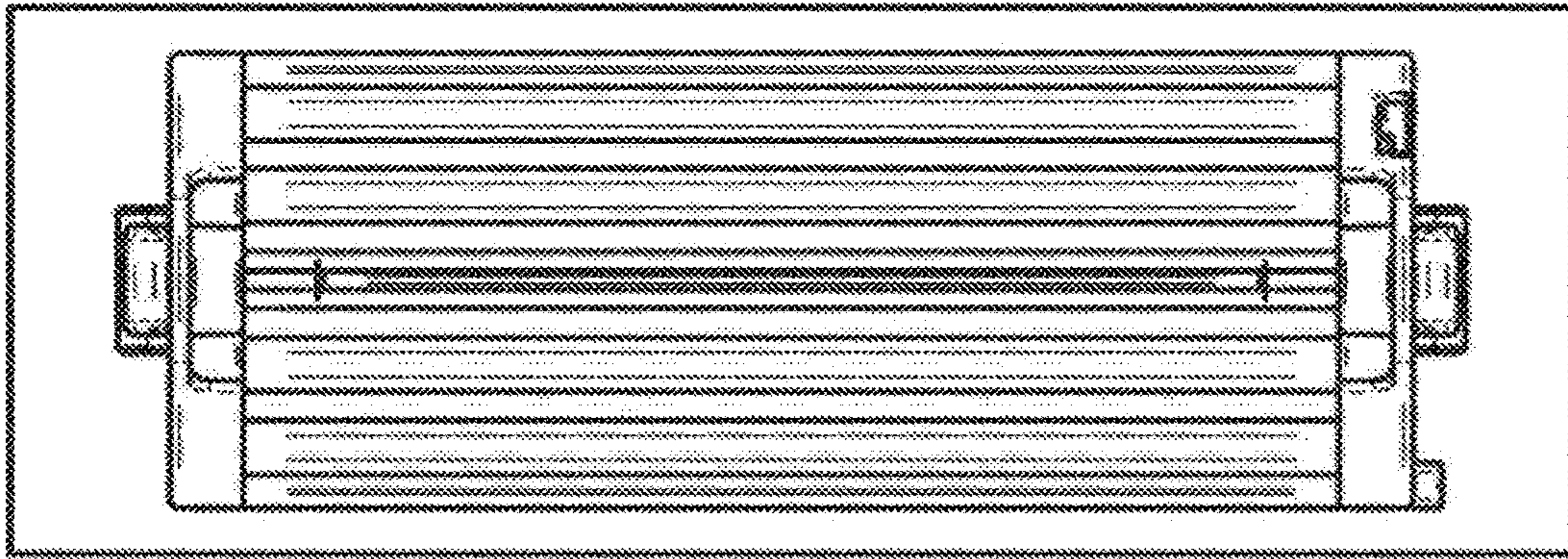


FIG. 3

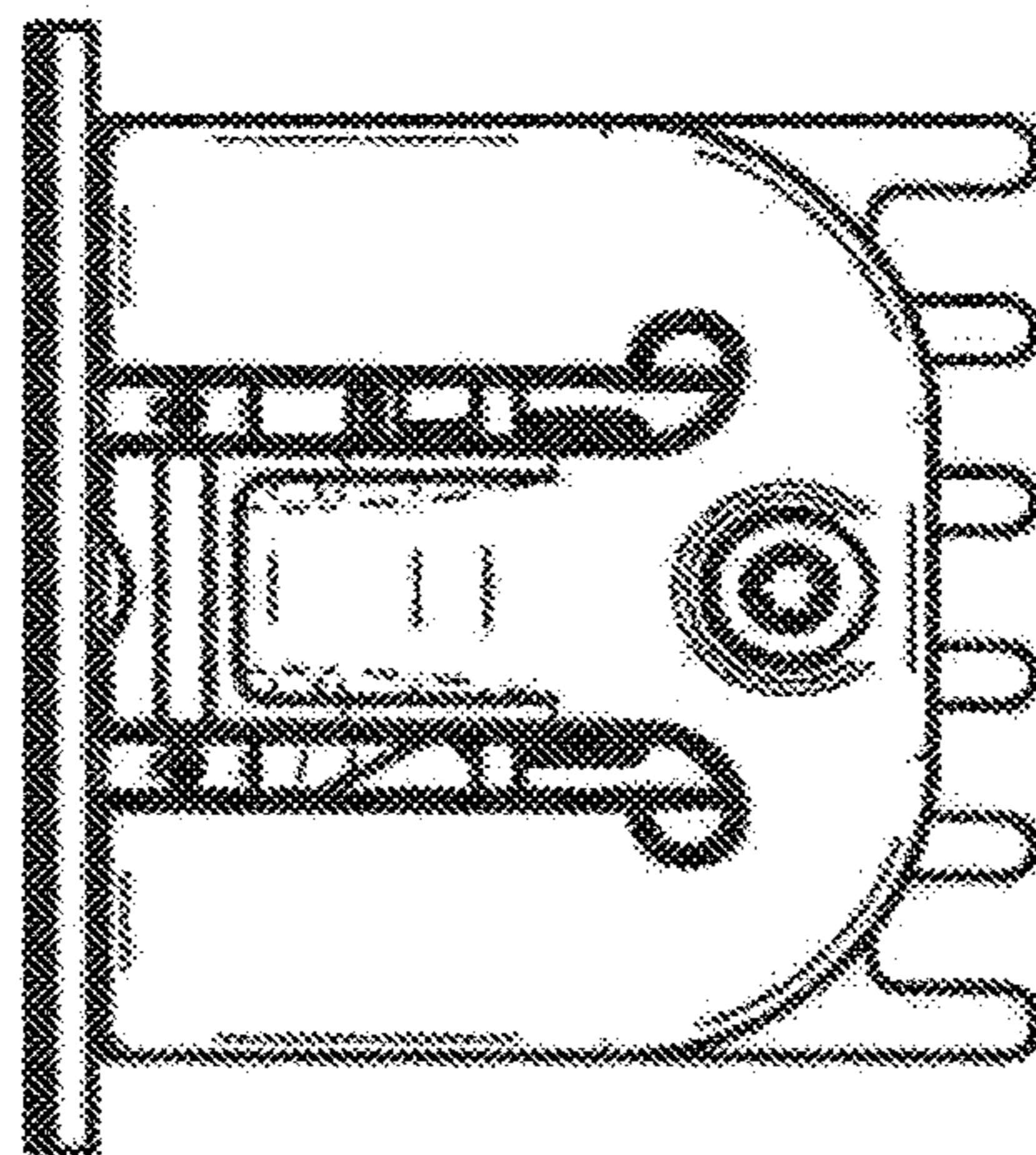


FIG. 4

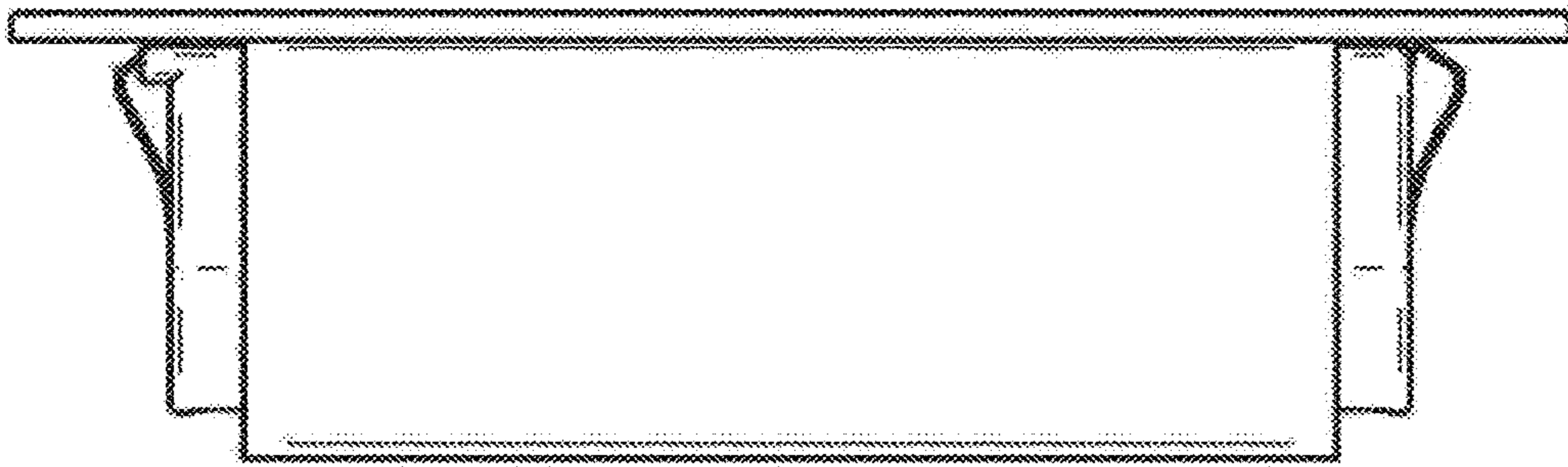


FIG. 5

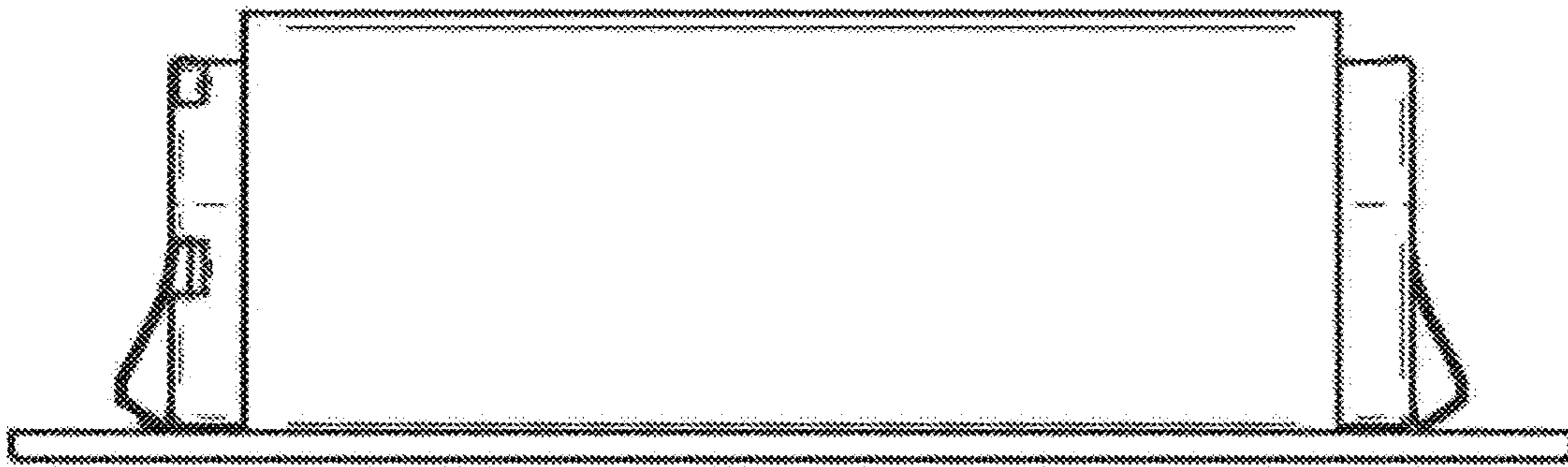


FIG. 6

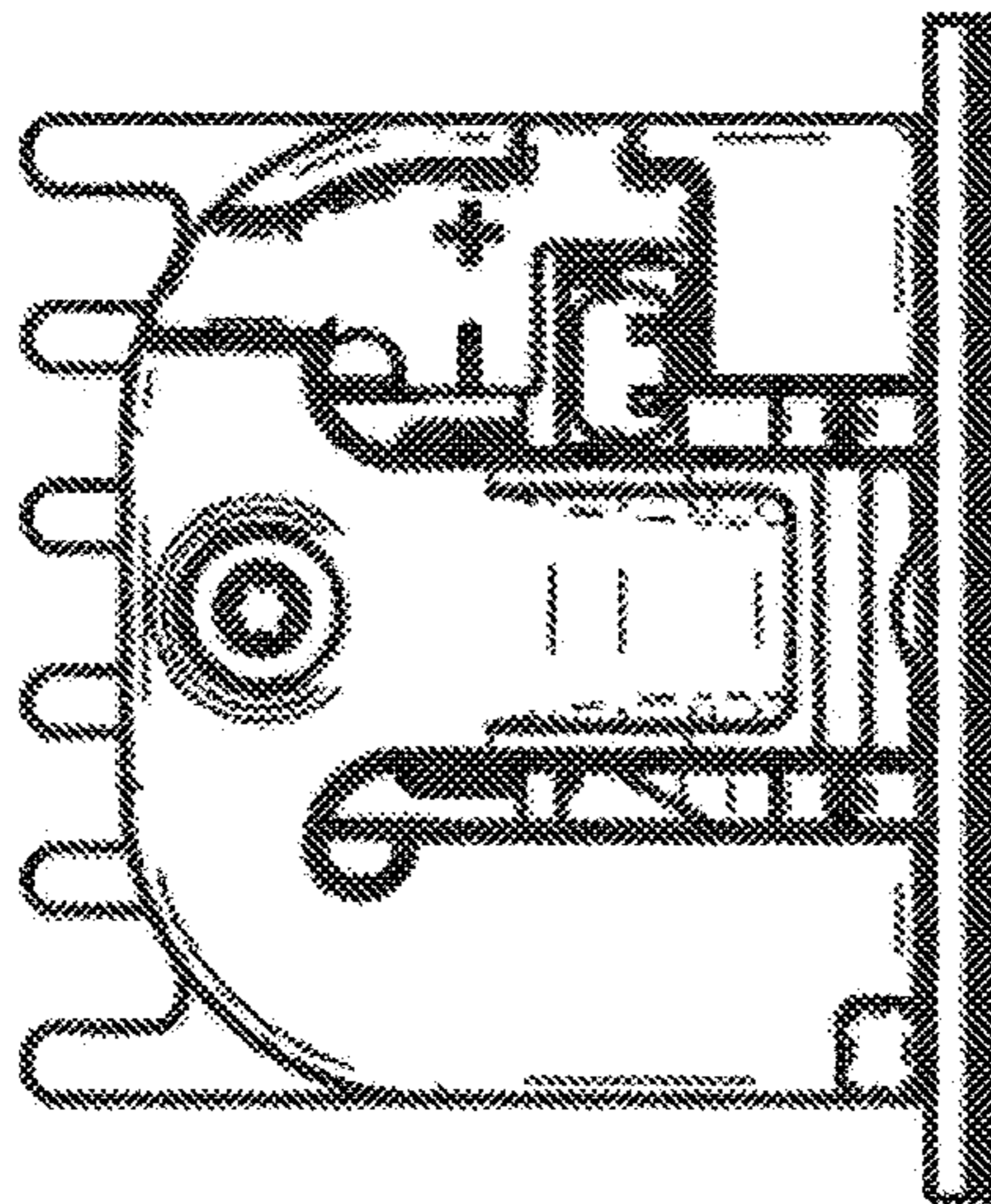


FIG. 7

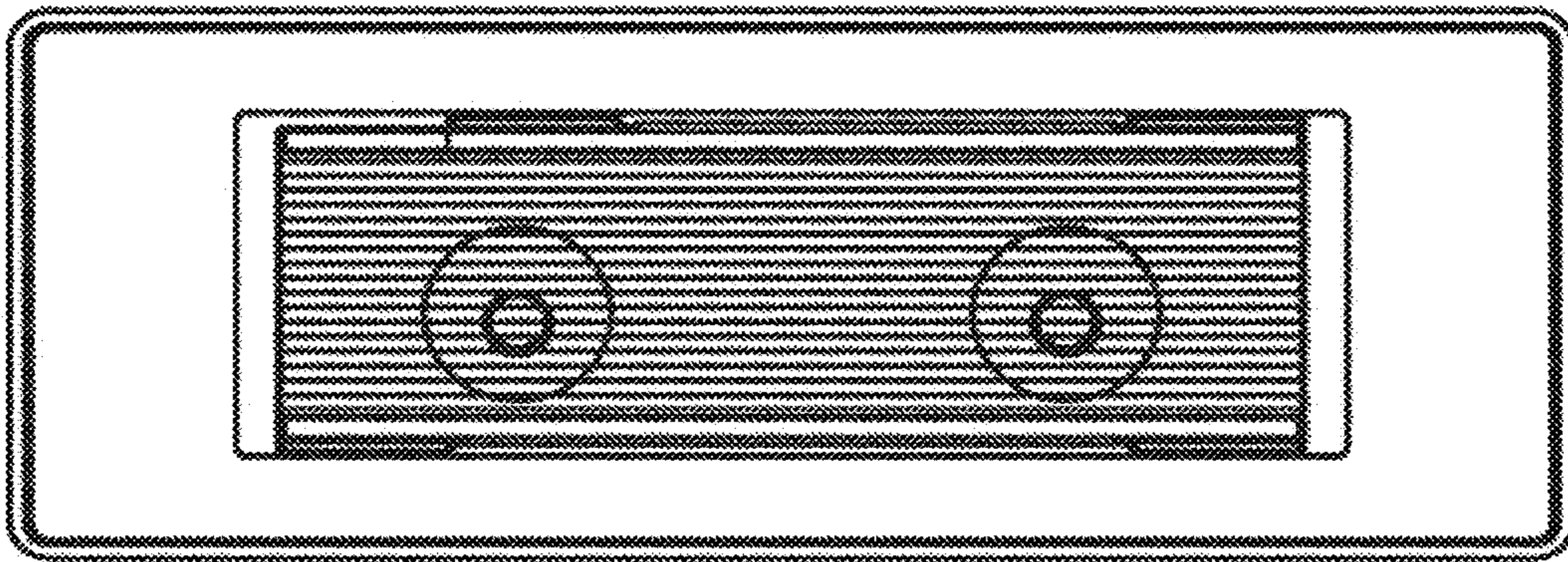


FIG. 8

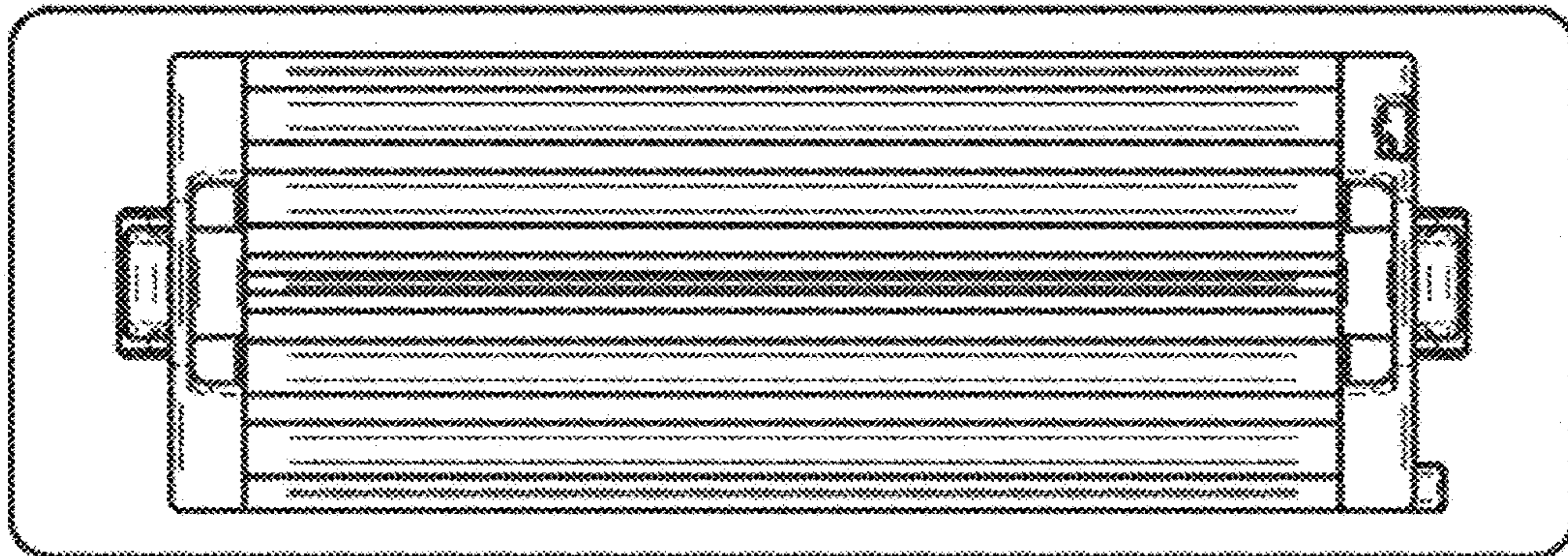


FIG. 9

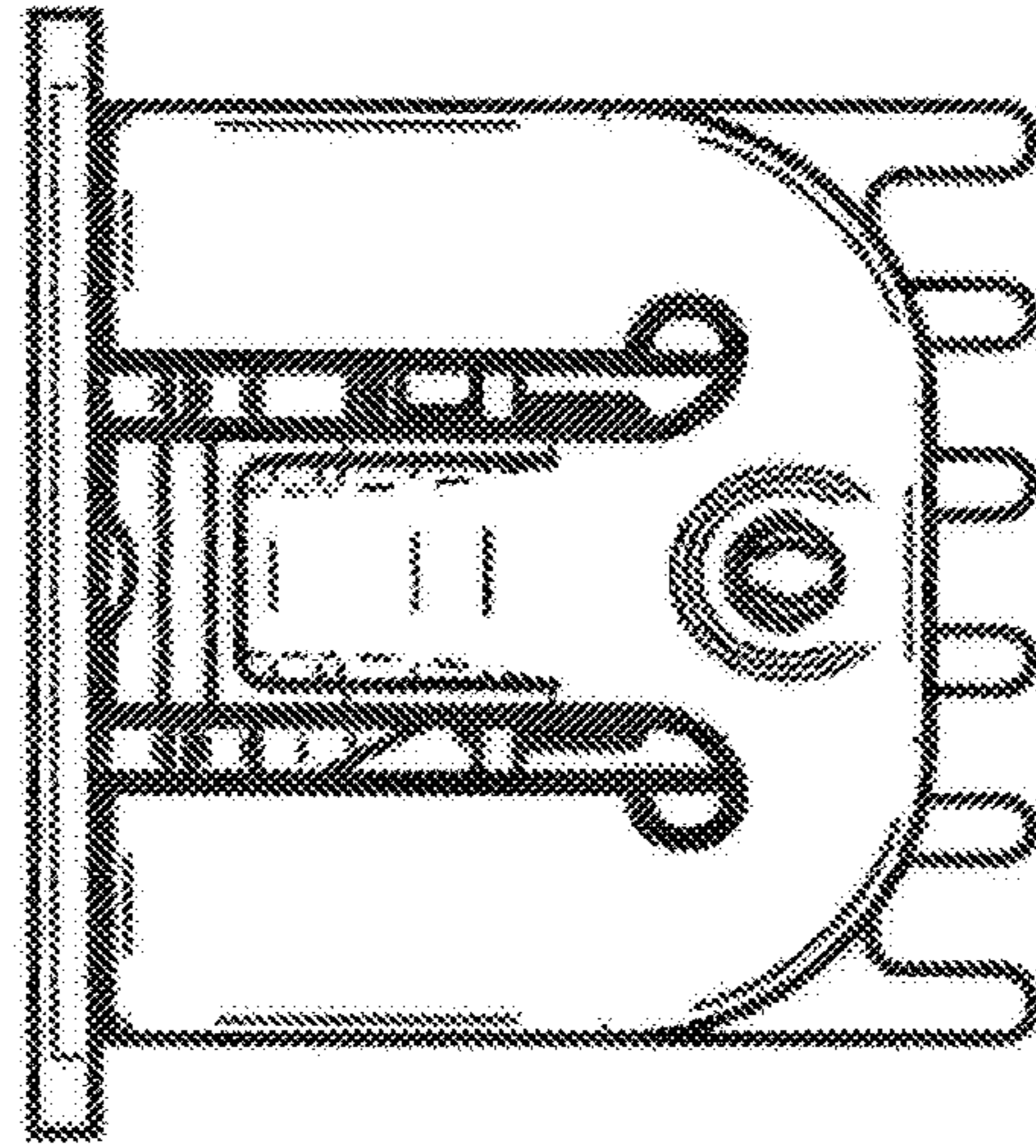


FIG. 10



FIG. 11

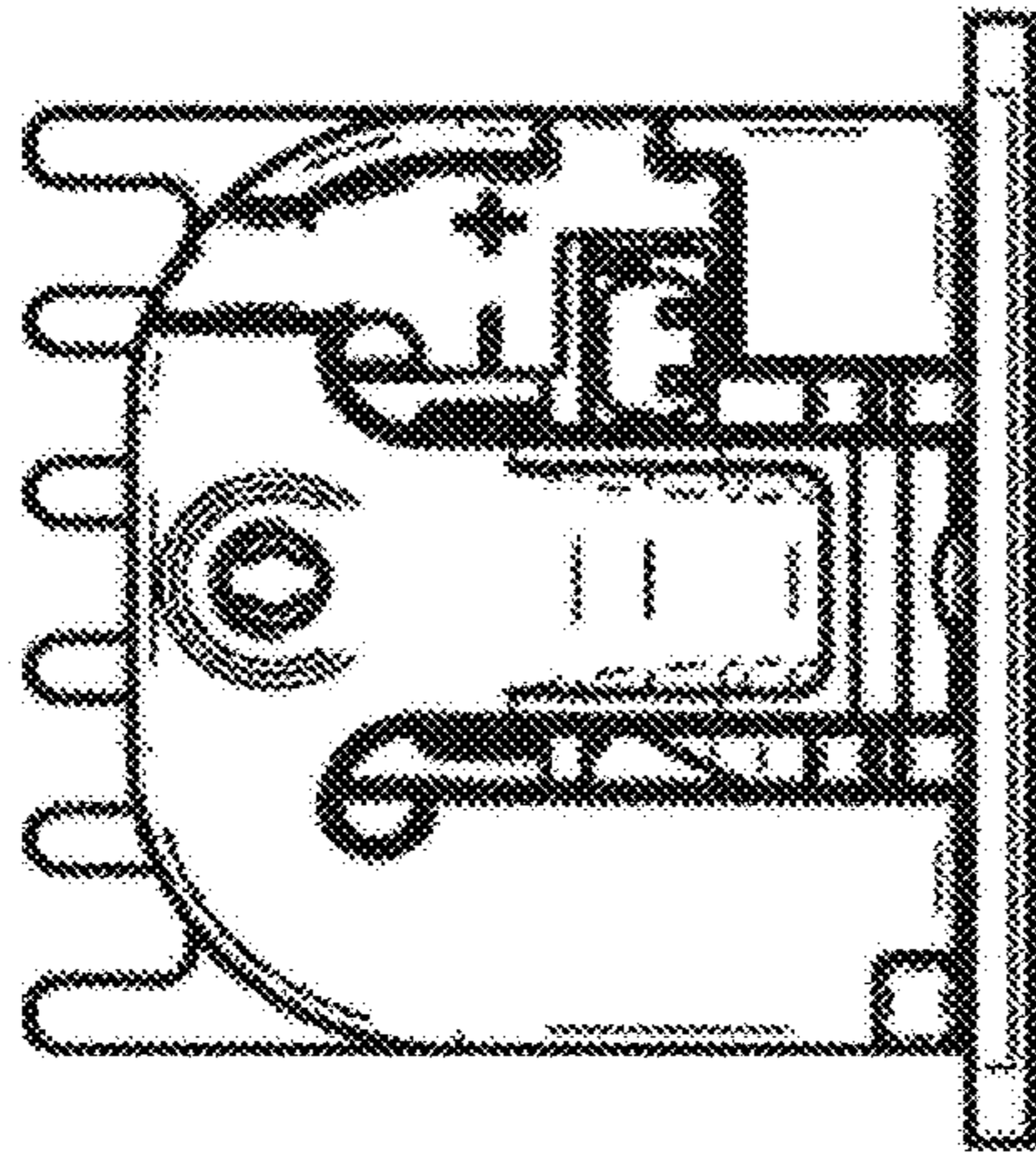


FIG. 12

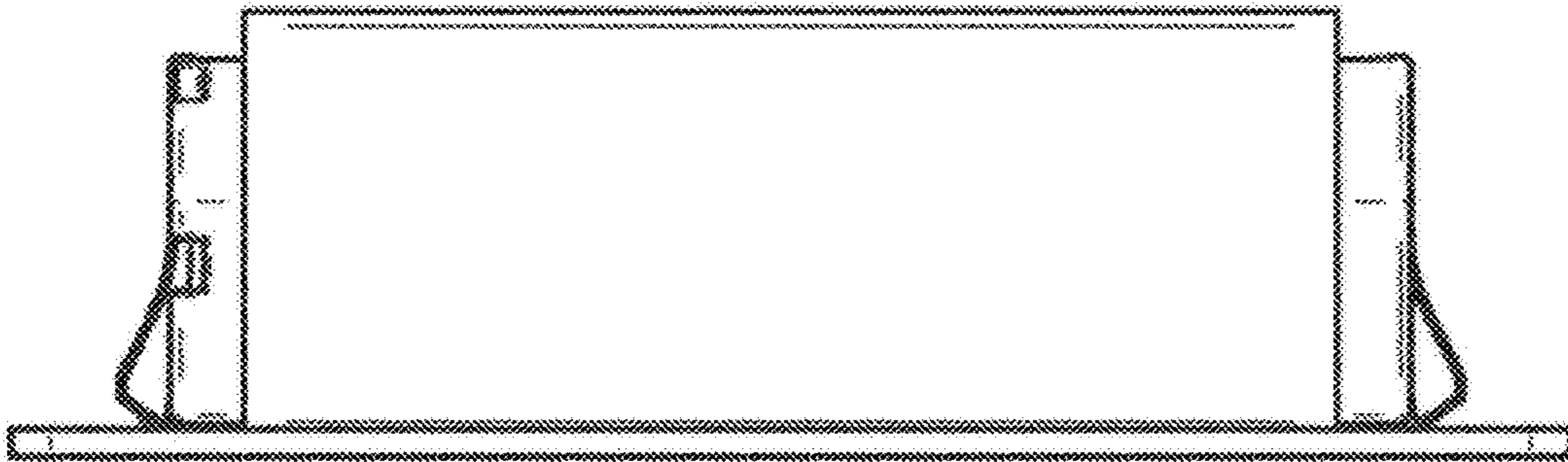


FIG. 13

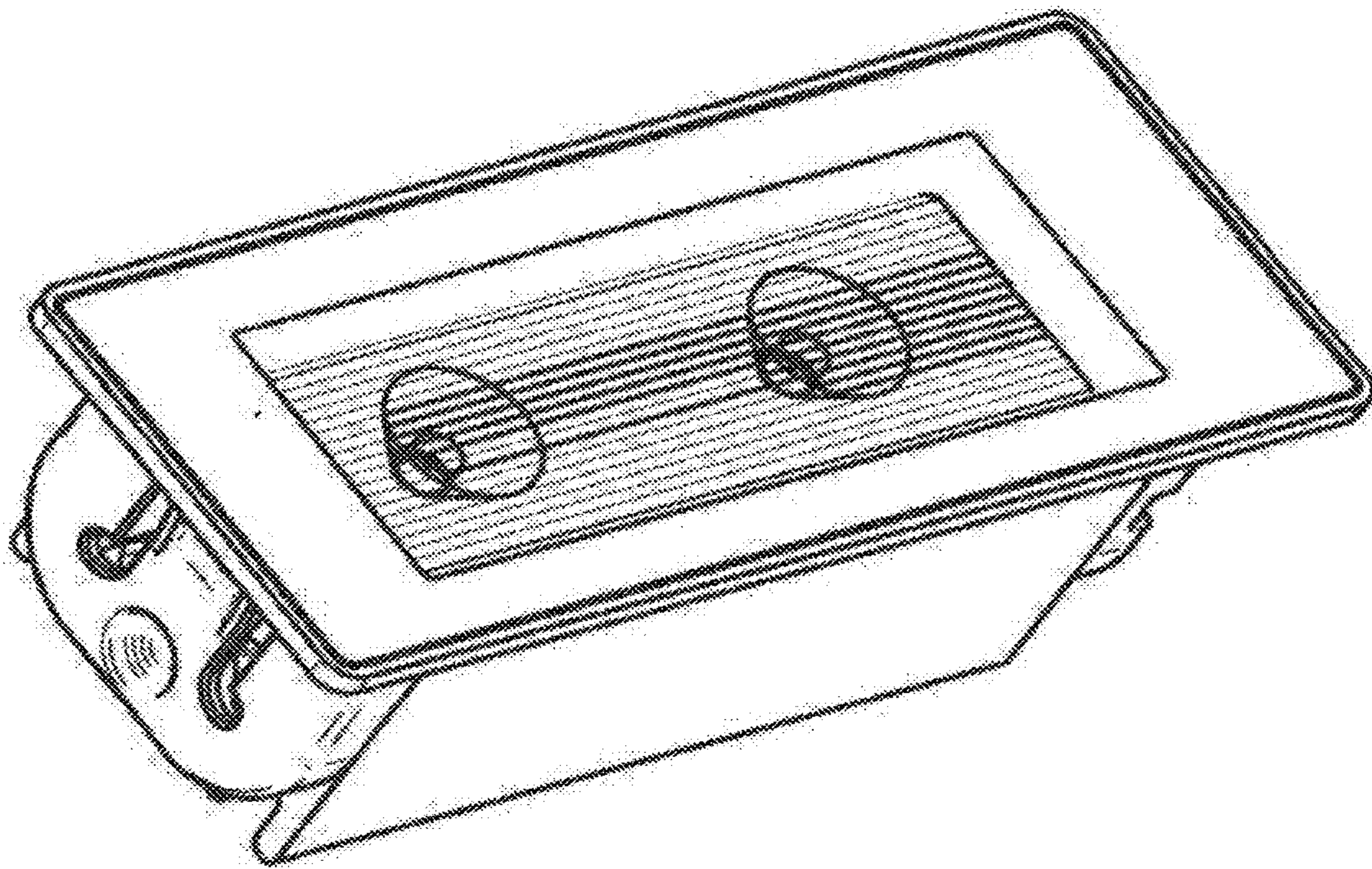


FIG. 14

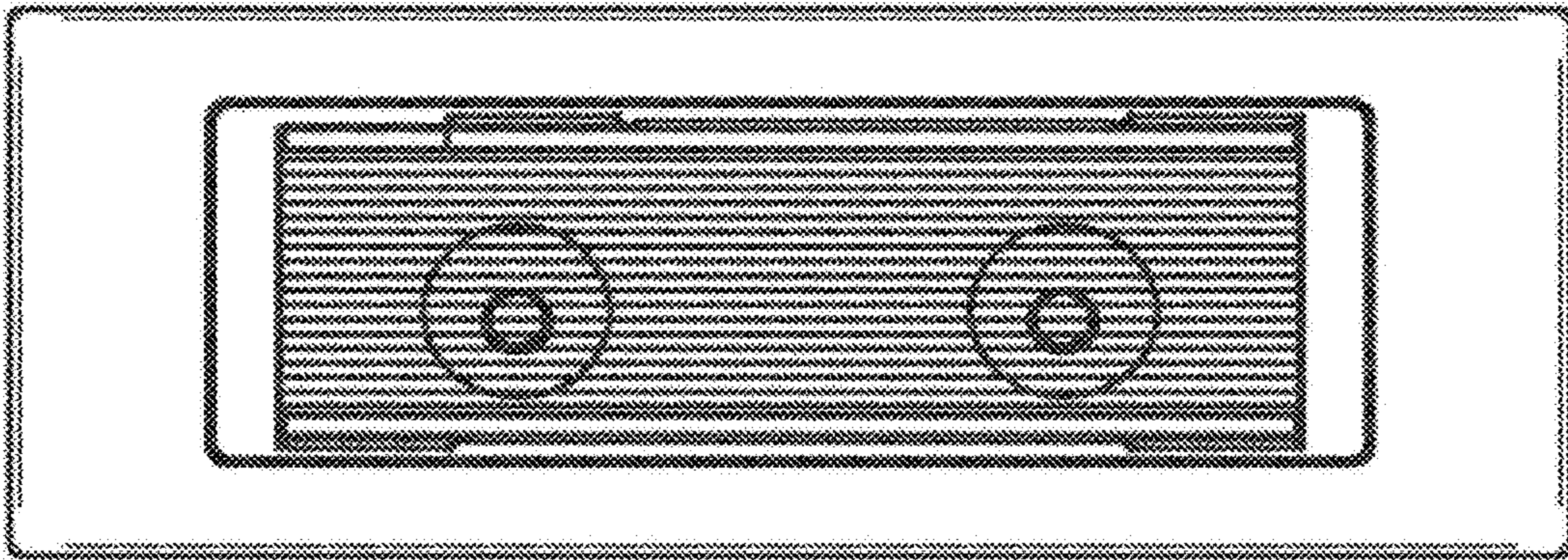


FIG. 15

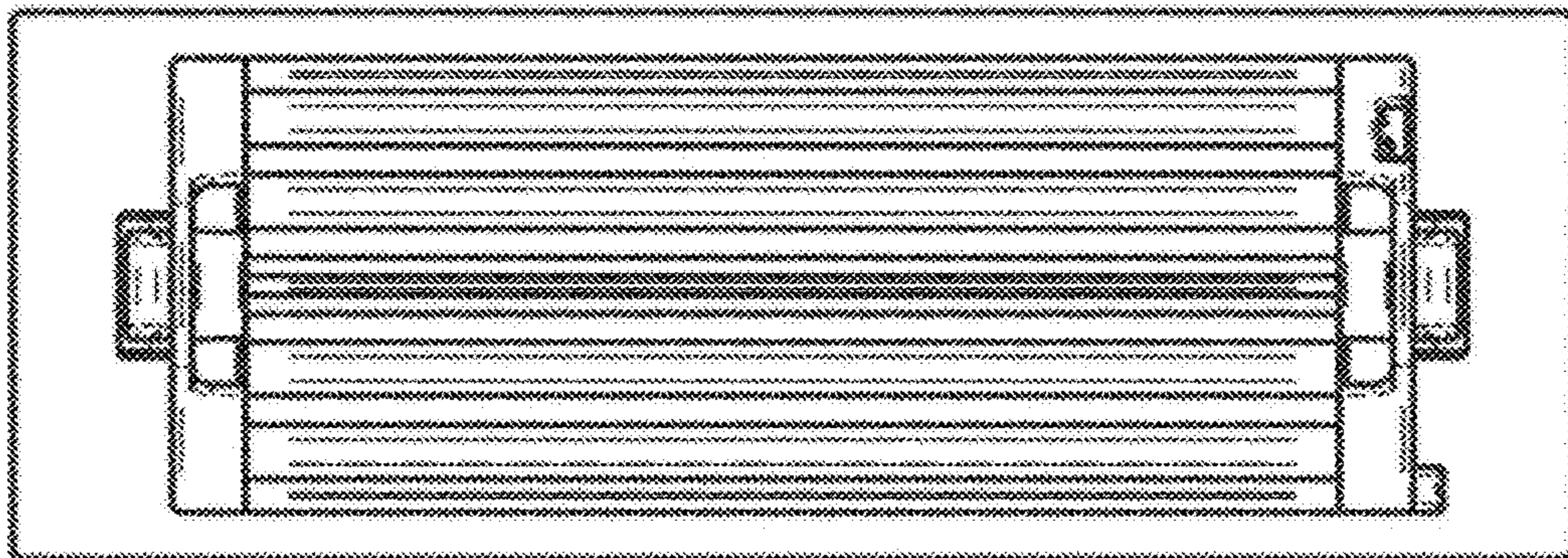


FIG. 16

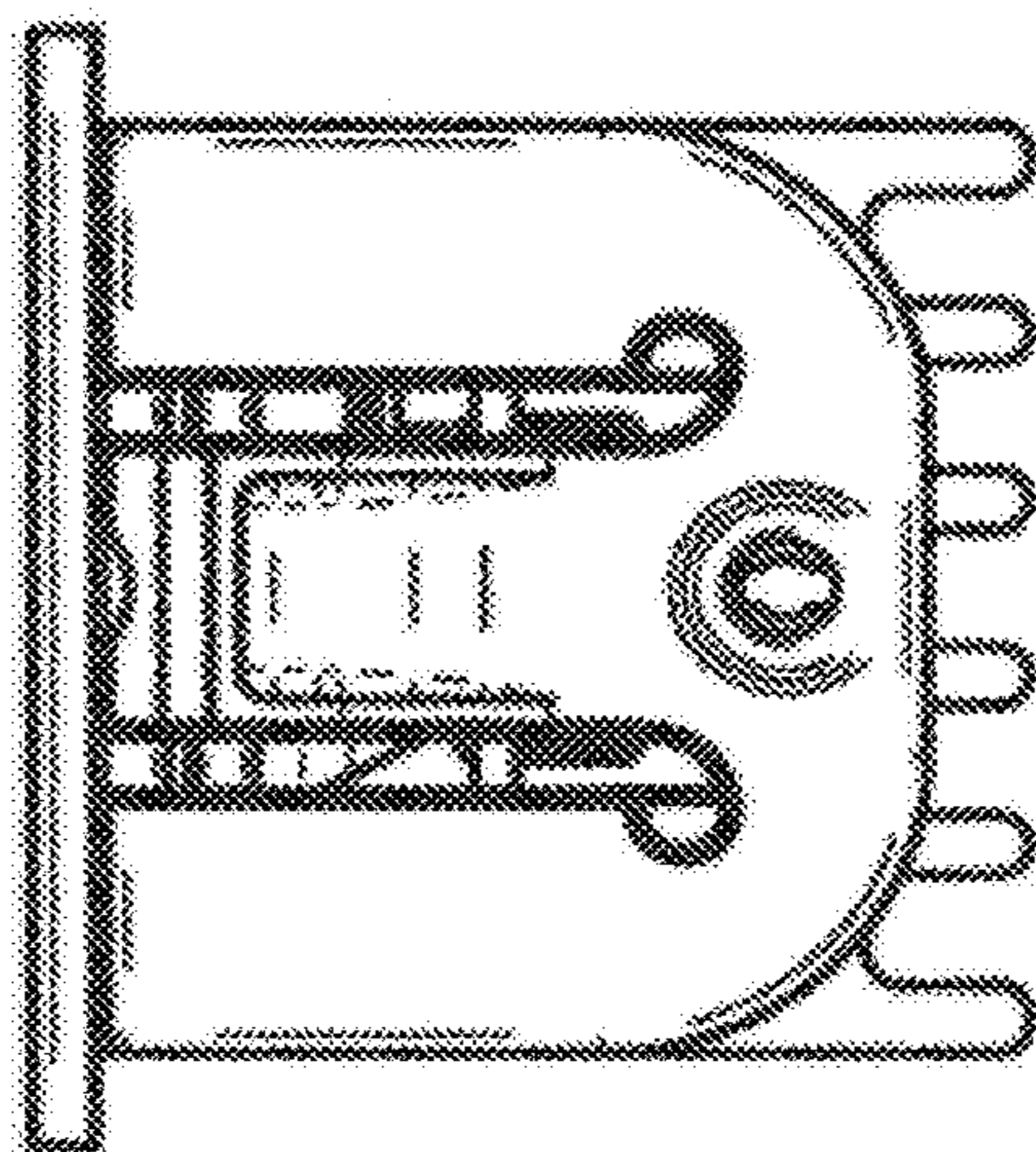


FIG. 17

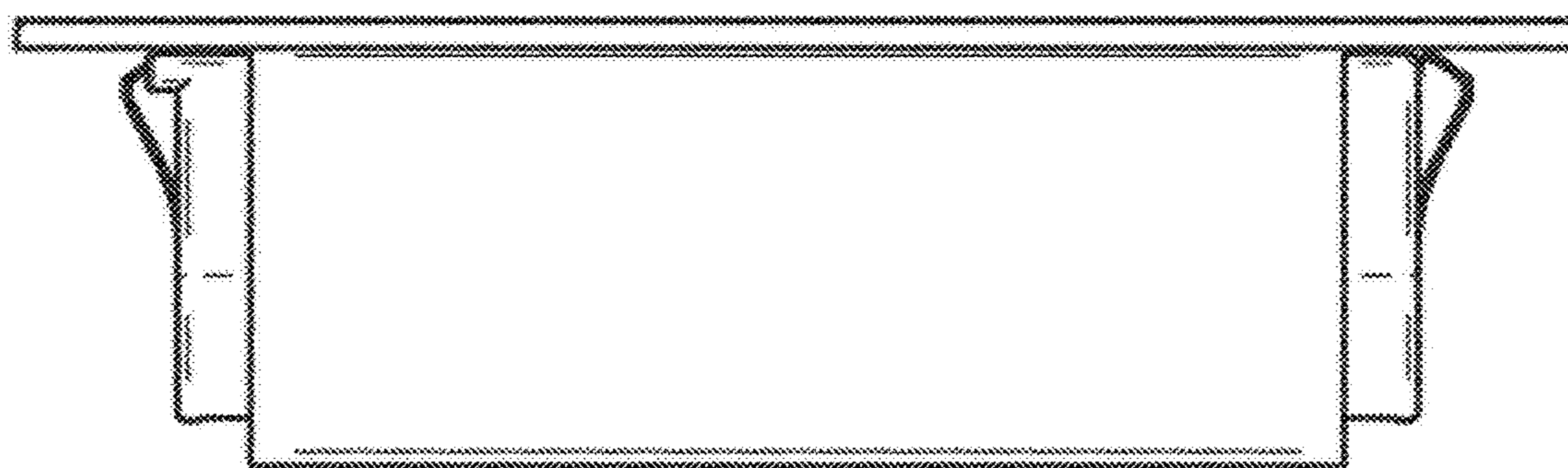


FIG. 18

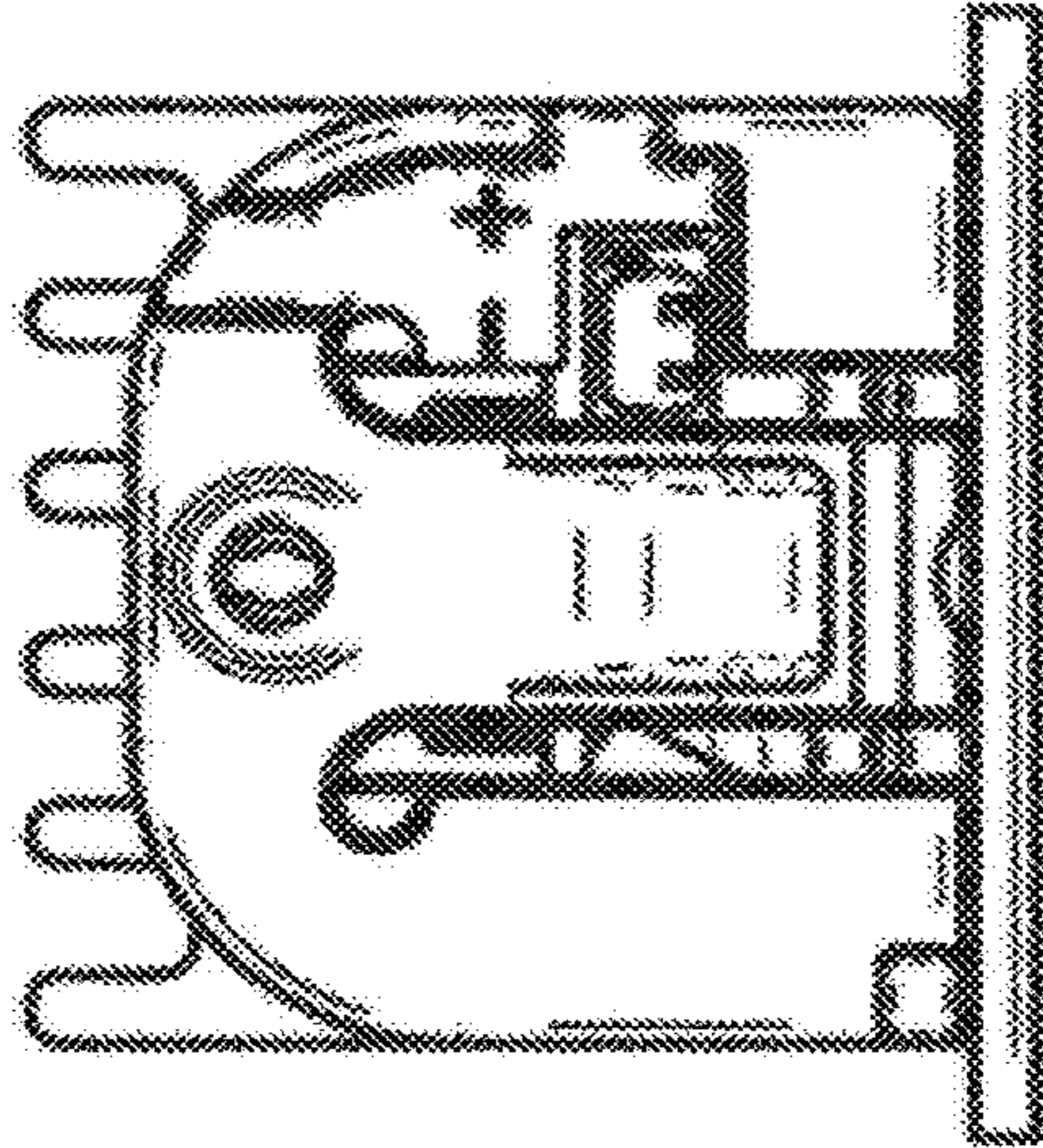


FIG. 19



FIG. 20

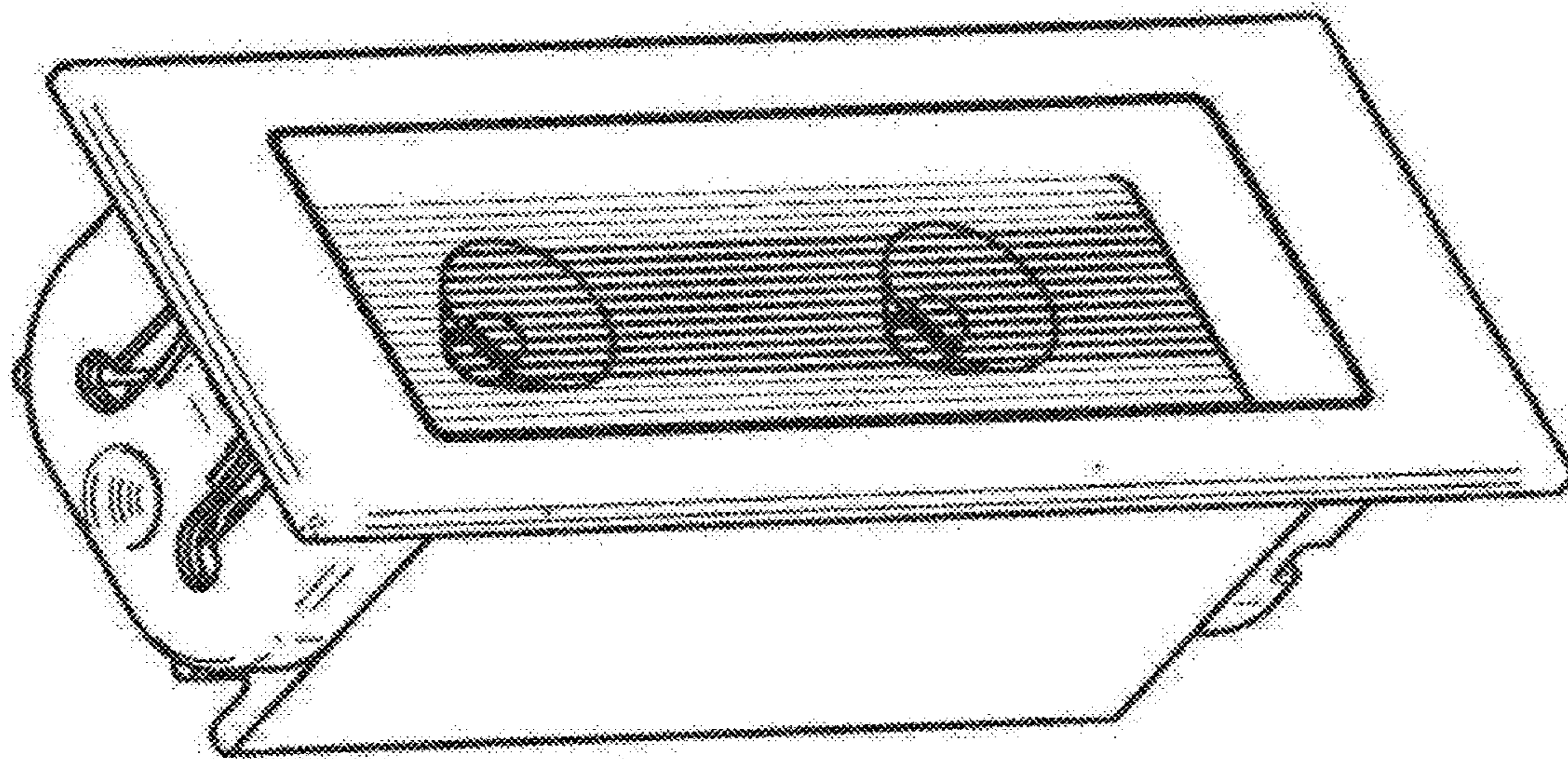


FIG. 21