



US00D846174S

(12) **United States Design Patent**  
**Yu**

(10) **Patent No.:** **US D846,174 S**

(45) **Date of Patent:** **\*\* Apr. 16, 2019**

(54) **HOUSING FOR LED-BASED LIGHTING APPARATUS**

(71) Applicant: **Chung Han Yu**, City of Industry, CA (US)

(72) Inventor: **Chung Han Yu**, City of Industry, CA (US)

(\*\*) Term: **15 Years**

(21) Appl. No.: **29/638,457**

(22) Filed: **Feb. 27, 2018**

**Related U.S. Application Data**

(62) Division of application No. 29/599,296, filed on Mar. 31, 2017, now Pat. No. Des. 841,859.

(51) **LOC (11) Cl.** ..... **26-03**

(52) **U.S. Cl.**  
USPC ..... **D26/72; D26/85**

(58) **Field of Classification Search**  
USPC ..... D26/72, 85, 87, 92, 118, 120, 122, 138, D26/142, 145, 155  
CPC .... F21S 8/03; F21S 8/033; F21S 8/035; F21S 8/036; F21S 8/037; F21V 1/146; F21V 3/0409; F21V 7/041; F21V 7/043; F21V 7/045; F21V 7/046; F21V 7/05; F21V 7/06

See application file for complete search history.

(56) **References Cited**

**U.S. PATENT DOCUMENTS**

D653,377 S \* 1/2012 Guercio ..... D26/85  
D691,320 S \* 10/2013 Guercio ..... D26/118

D739,068 S \* 9/2015 Bryant ..... D26/82  
D753,864 S \* 4/2016 Dungan ..... D26/85  
D774,681 S \* 12/2016 Liang ..... D26/72  
D800,943 S \* 10/2017 Shundong ..... D26/85  
D819,255 S \* 5/2018 Kollarits ..... D26/85  
D825,813 S \* 8/2018 Xiang ..... D26/85  
D826,455 S \* 8/2018 Moon ..... D26/85  
D827,183 S \* 8/2018 Sonneman ..... D26/85

\* cited by examiner

*Primary Examiner* — Brian N. Vinson

(74) *Attorney, Agent, or Firm* — Saul Ewing Arnstein & Lehr LLP

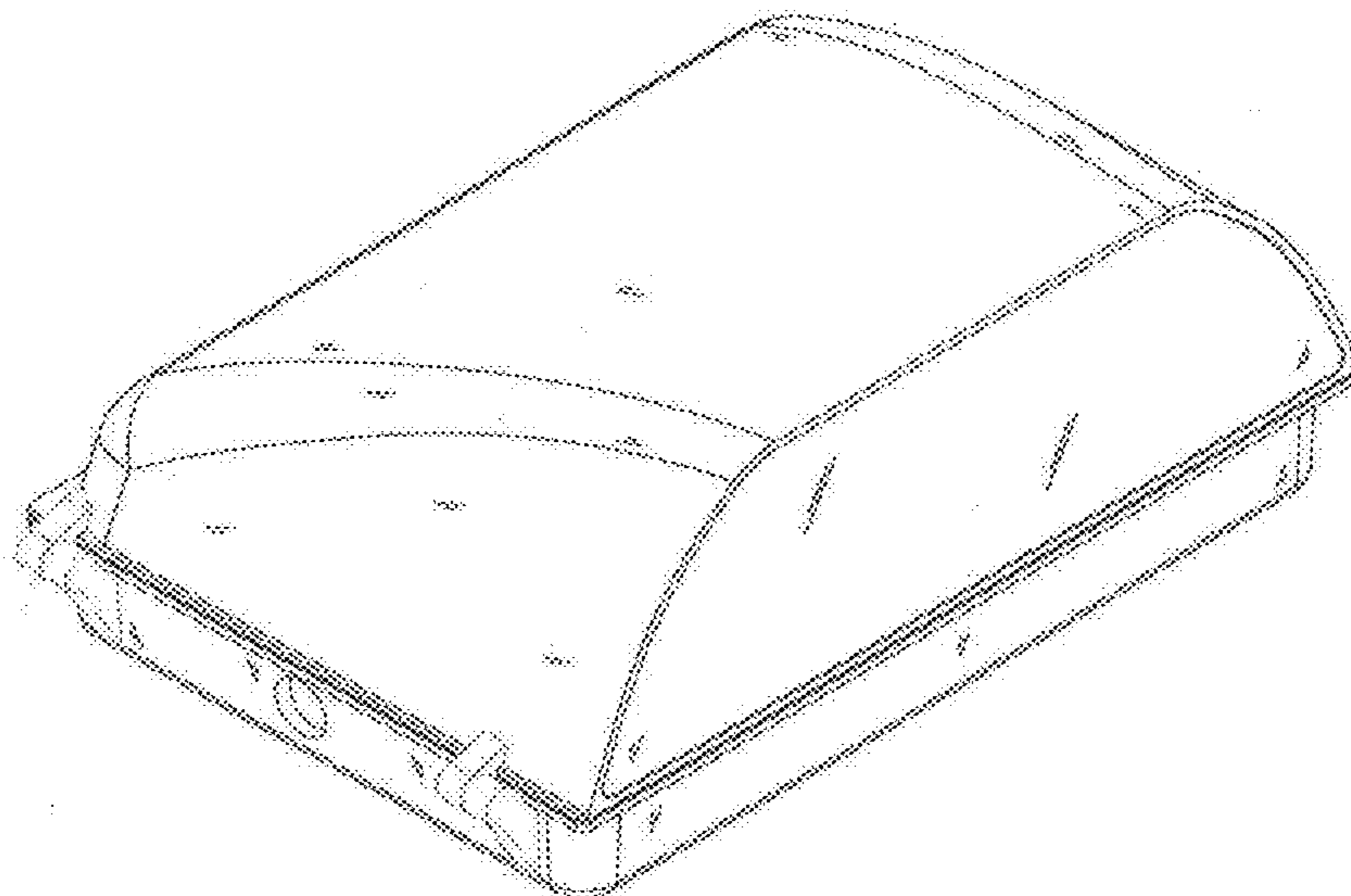
(57) **CLAIM**

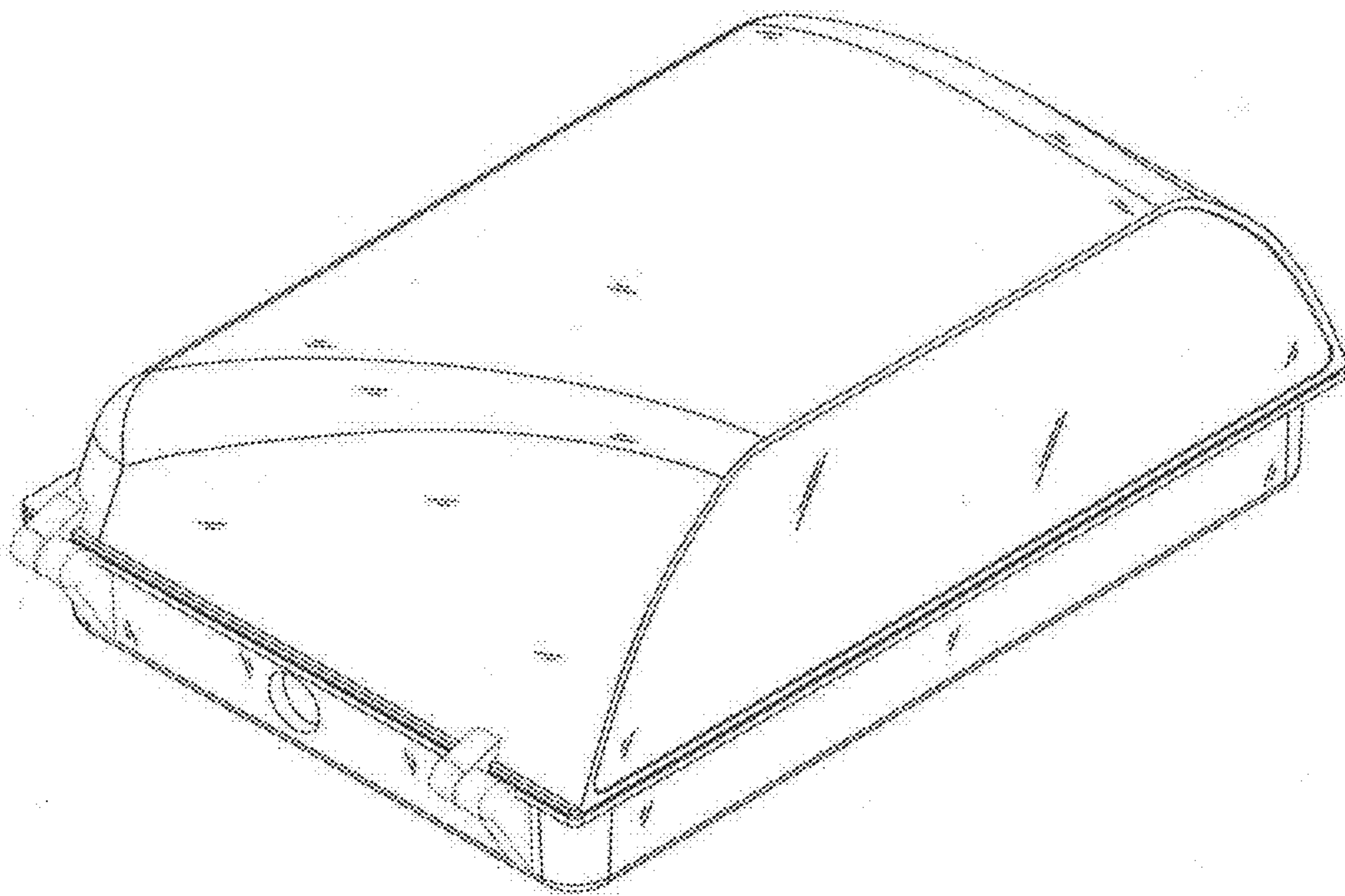
The ornamental design for a housing for LED-based lighting apparatus, as shown and described.

**DESCRIPTION**

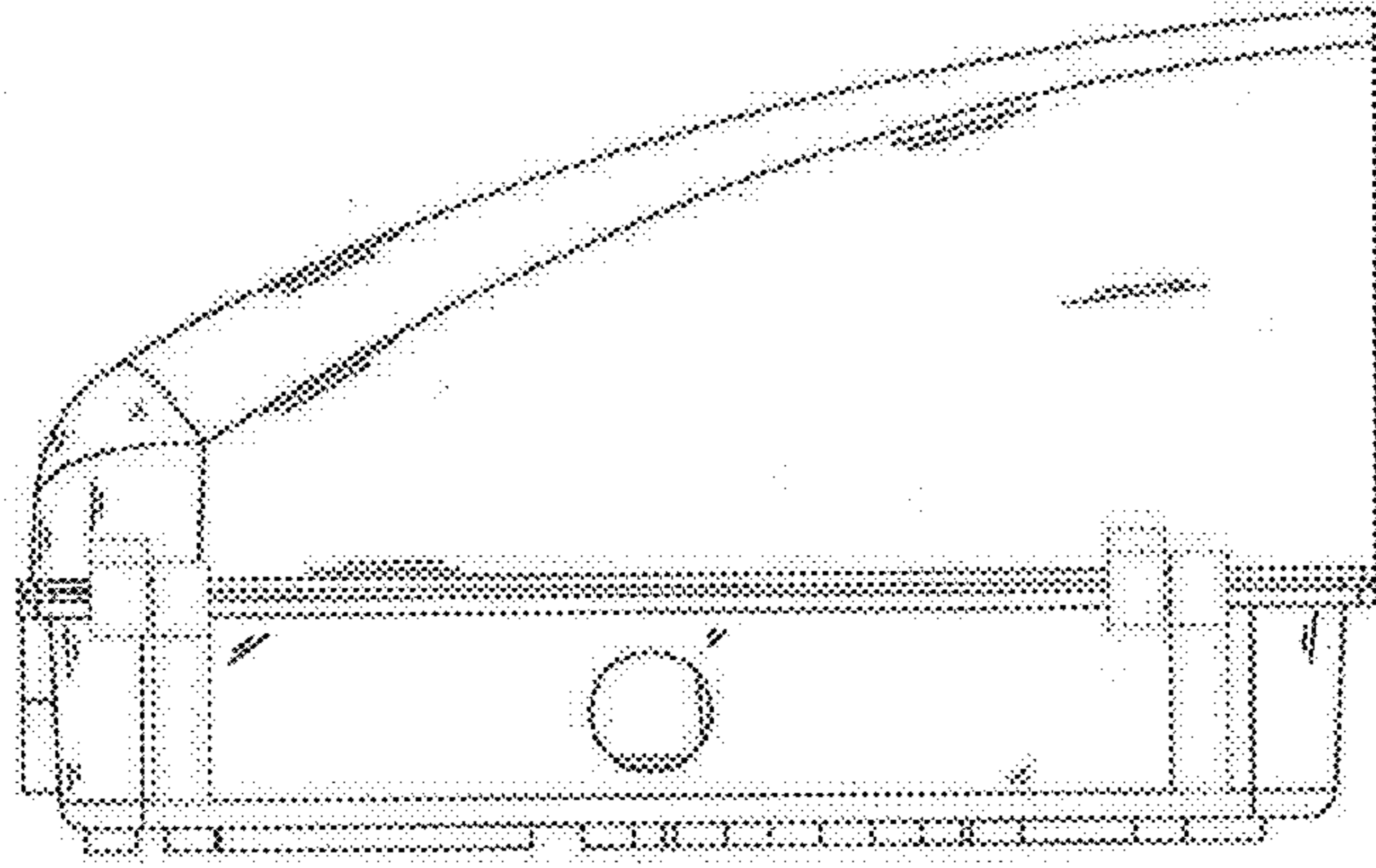
FIG. 1 is a perspective view of a housing for LED-based lighting apparatus with certain features depicted in broken lines and forming no part of the claimed design; FIG. 2 is a left side view of the embodiment of FIG. 1; FIG. 3 is a right side view of the embodiment of FIG. 1; FIG. 4 is a front view of the embodiment of FIG. 1; FIG. 5 is a rear view of the embodiment of FIG. 1; FIG. 6 is a top view of the embodiment of FIG. 1; FIG. 7 is a bottom view of the embodiment of FIG. 1; and, FIG. 8 is a second perspective view of the embodiment of FIG. 1.

**1 Claim, 5 Drawing Sheets**

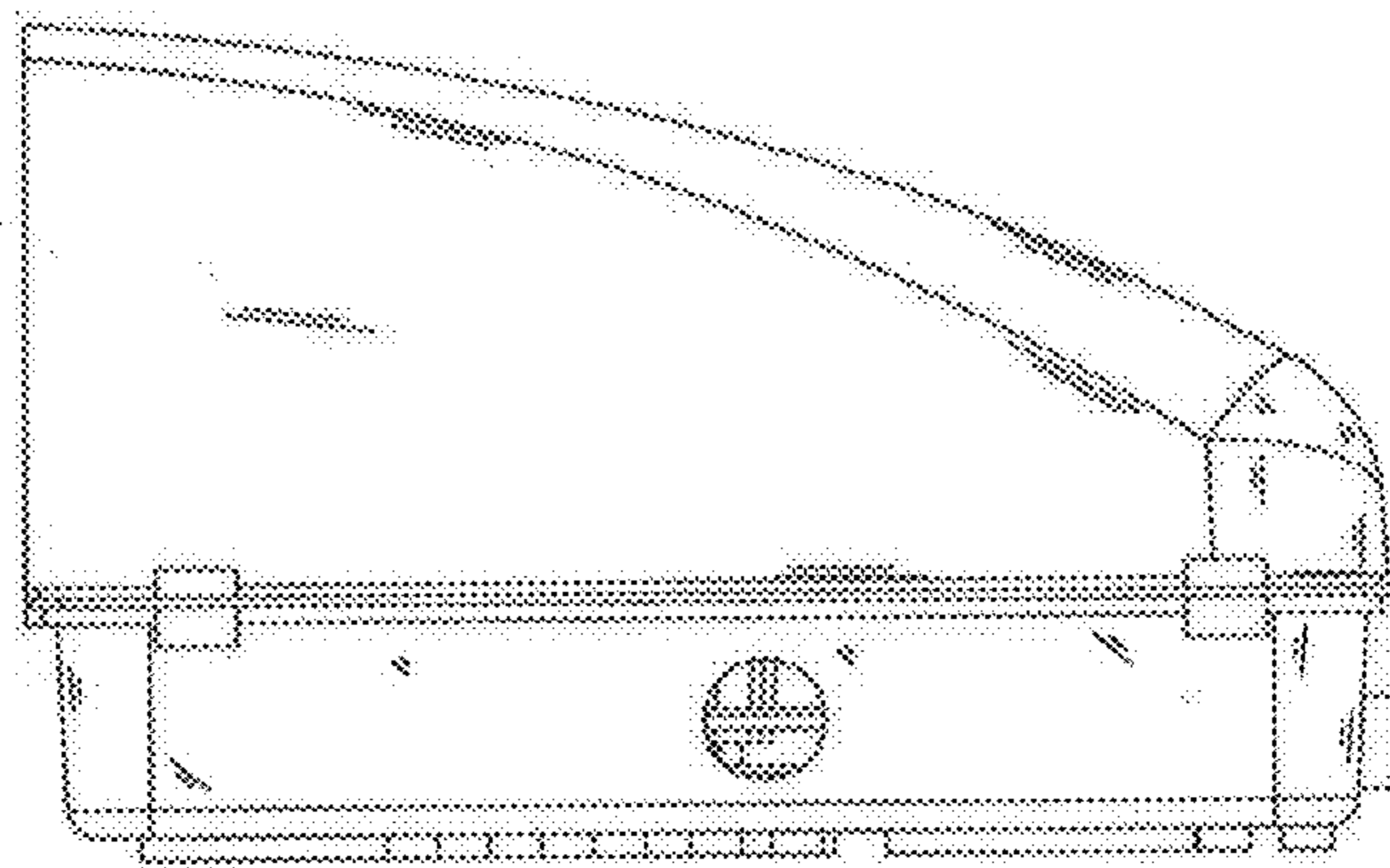




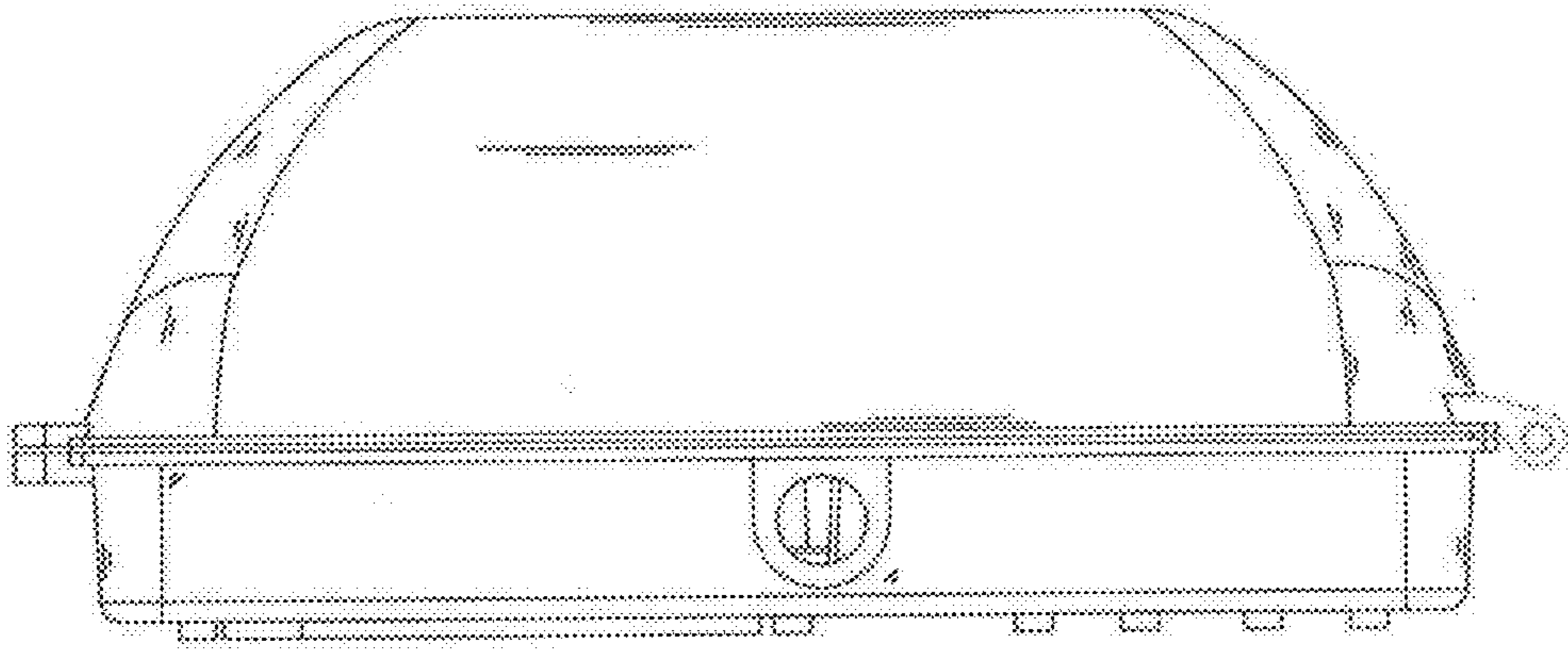
**FIG. 1**



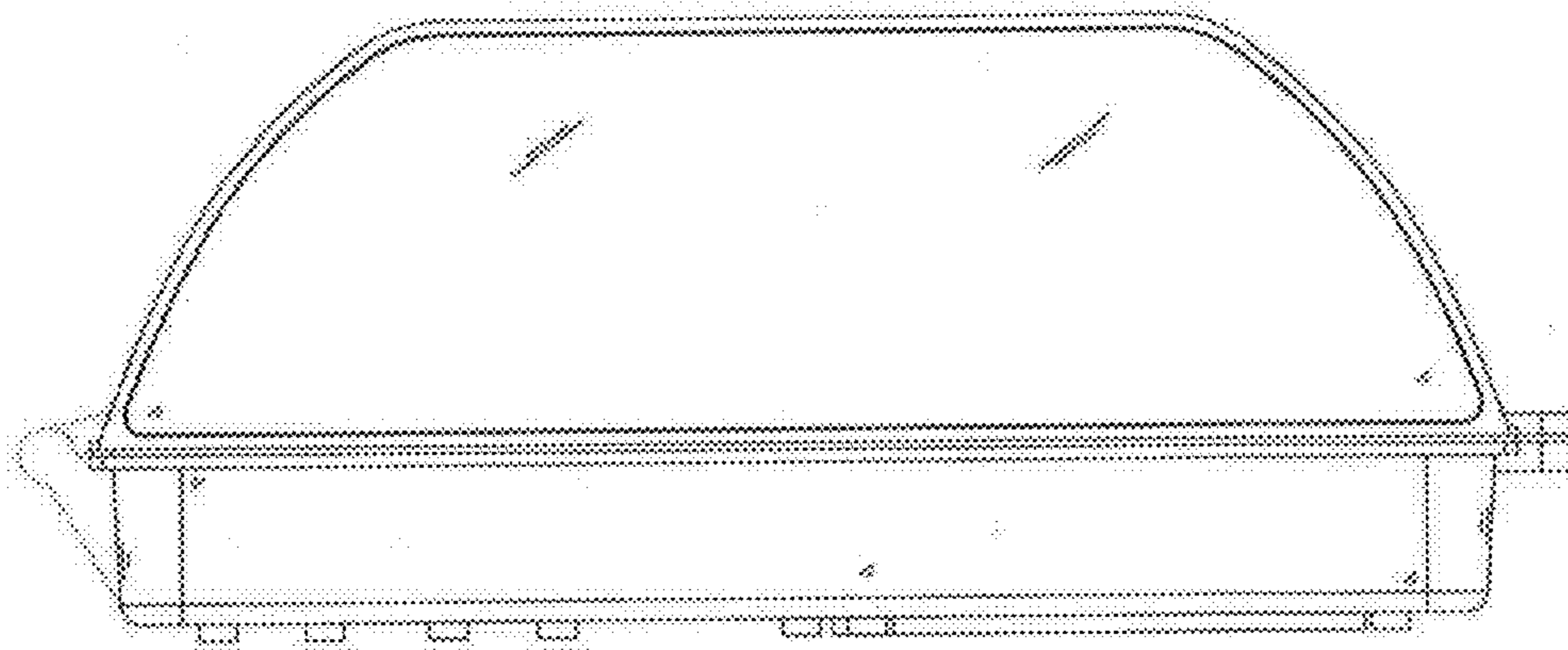
**FIG. 2**



**FIG. 3**

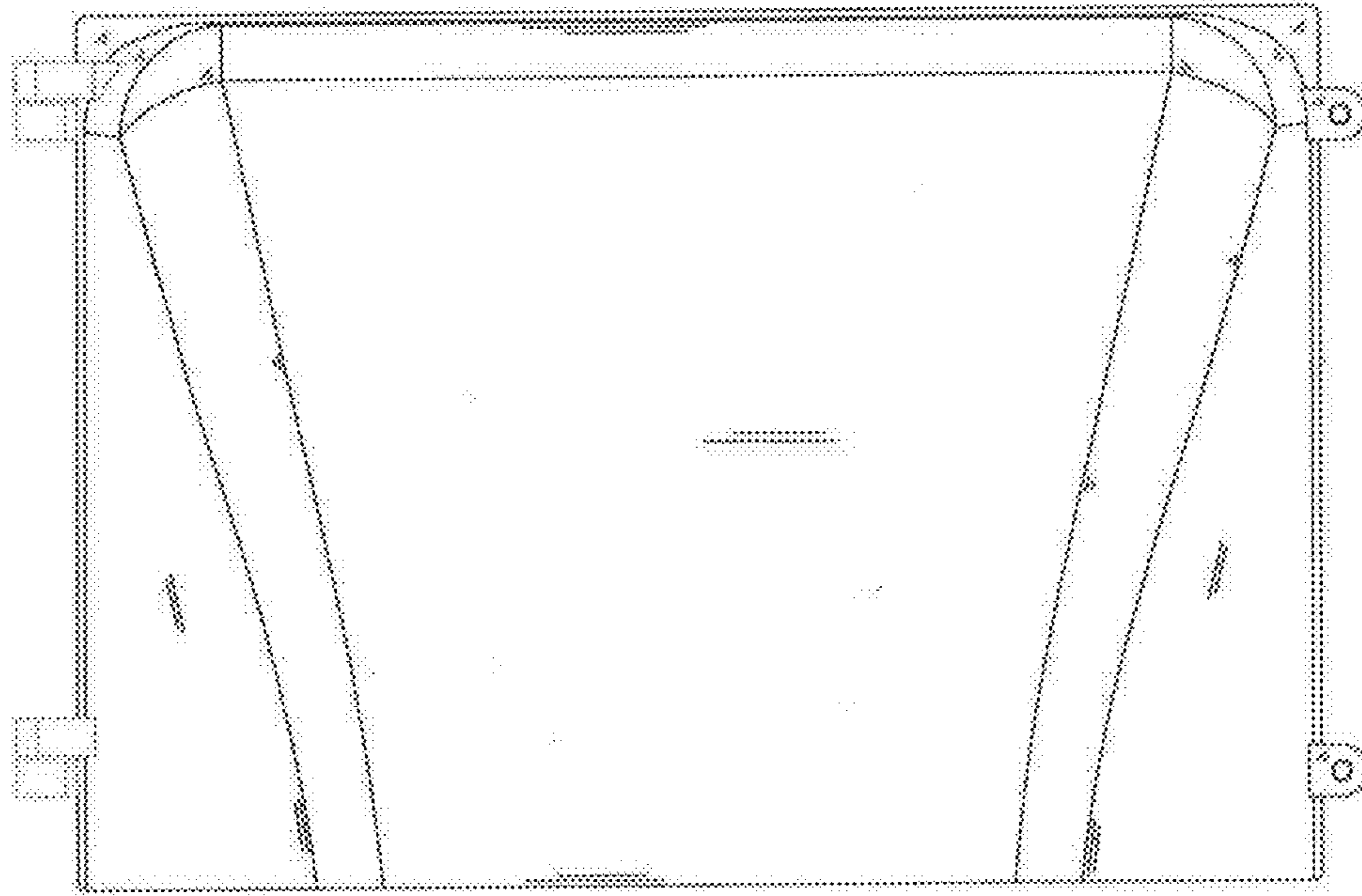


**FIG. 4**

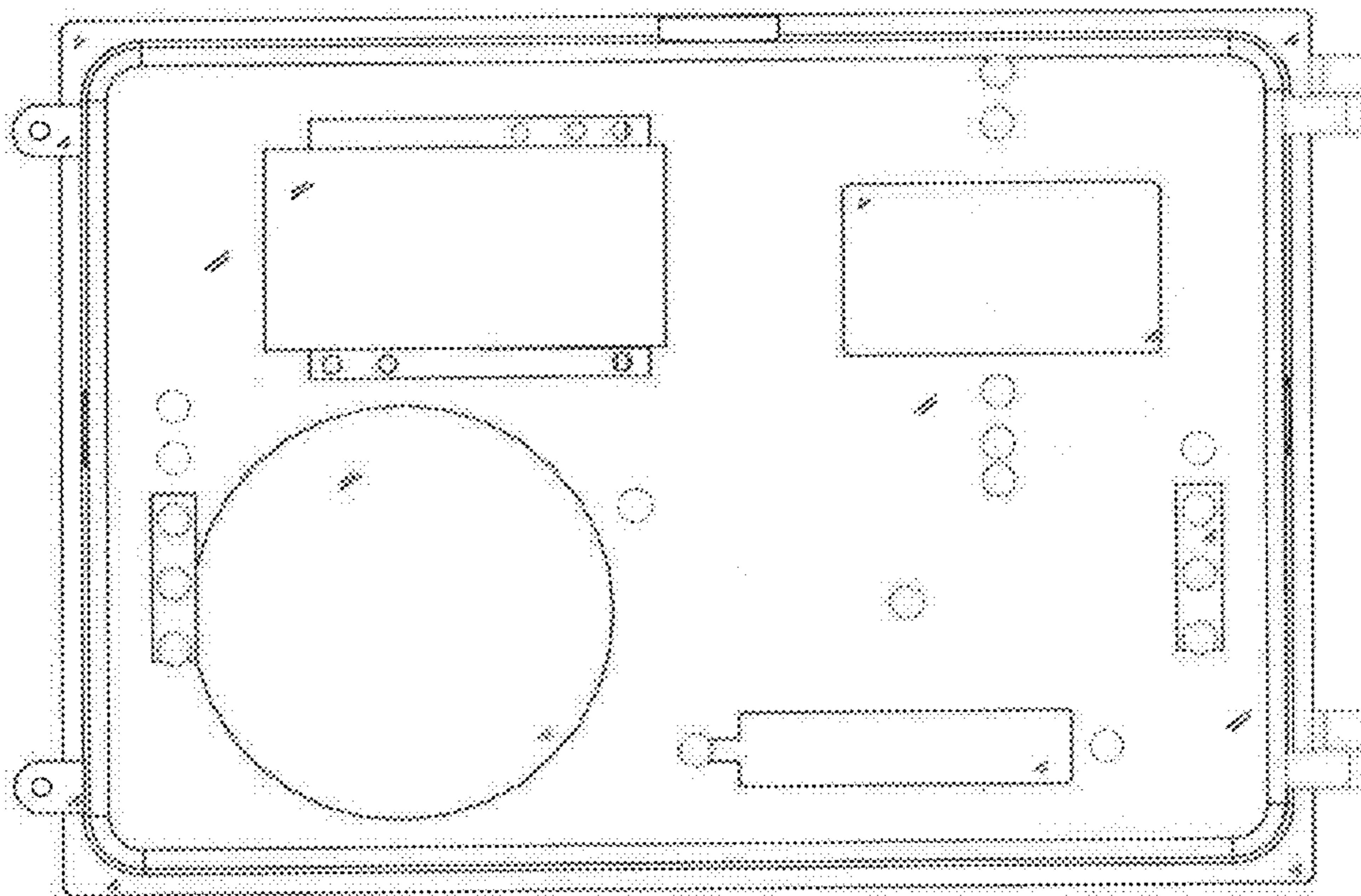


**FIG. 5**

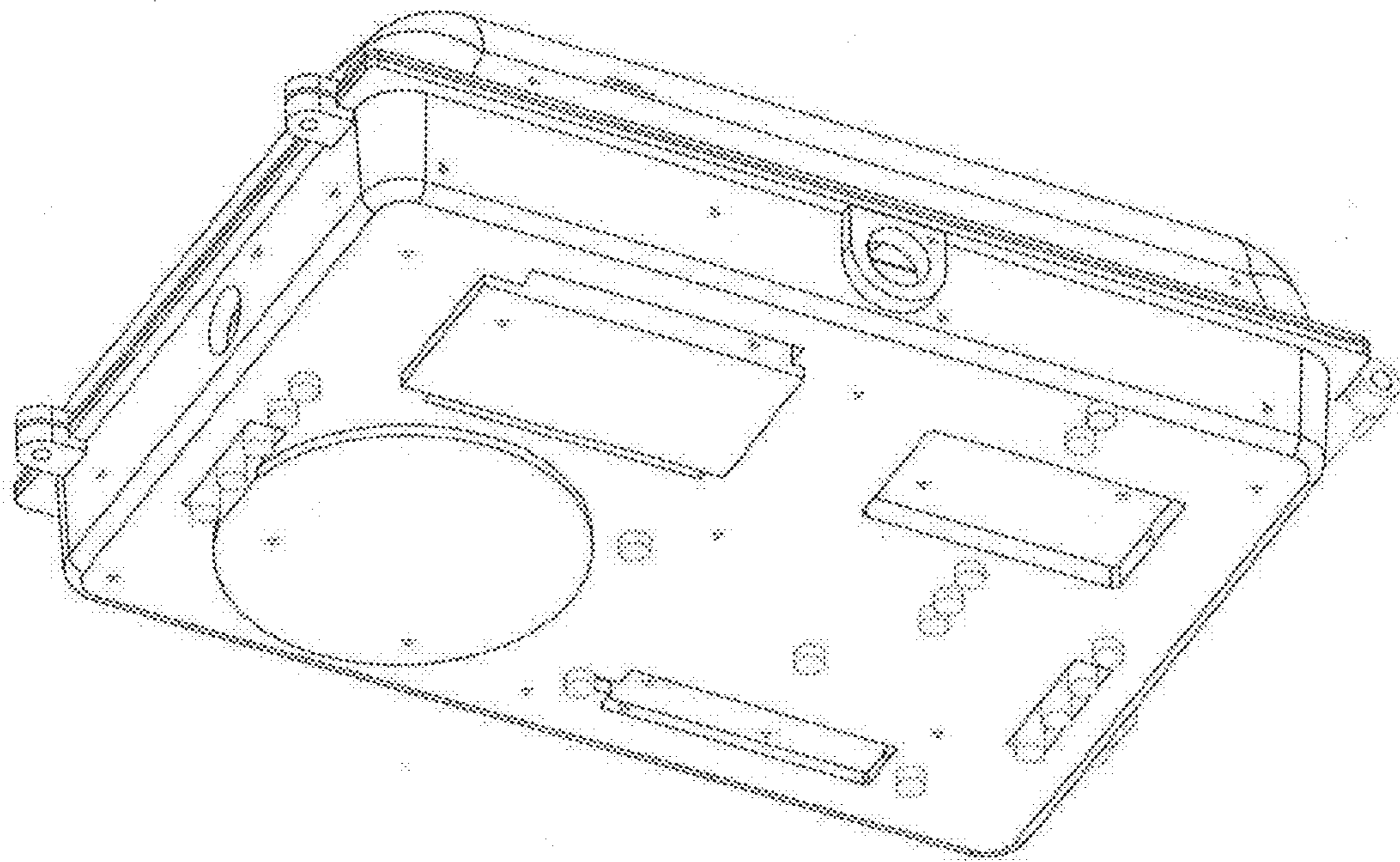




**FIG. 6**



**FIG. 7**



**FIG. 8**