



US00D846172S

(12) **United States Design Patent**
Taher

(10) **Patent No.:** **US D846,172 S**

(45) **Date of Patent:** **** Apr. 16, 2019**

(54) **CAMEL SOLAR STREET LIGHT**

(71) Applicant: **Taher & Associates, LLC**, Grand Rapids, MI (US)

(72) Inventor: **Rashed Taher**, Grand Rapids, MI (US)

(**) Term: **15 Years**

(21) Appl. No.: **29/606,151**

(22) Filed: **Jun. 1, 2017**

(51) **LOC (11) Cl.** **26-05**

(52) **U.S. Cl.**
USPC **D26/71; D26/73**

(58) **Field of Classification Search**
USPC D26/71, 72, 73, 92, 107, 25, 26, 47, 125,
D26/156, 11, 16, 17, 18, 19; D11/157,
D11/149, 125, 107, 115
See application file for complete search history.

(56) **References Cited**

U.S. PATENT DOCUMENTS

D57,942 S *	5/1921	Spaniak	D11/131
D71,967 S *	2/1927	Friedman	D26/73
D270,653 S *	9/1983	Miller	D11/158
5,601,274 A *	2/1997	Minor	F16F 13/00 248/219.1
D555,279 S *	11/2007	Schneider	D26/71
D573,293 S *	7/2008	Milicia	D26/73
D609,383 S *	2/2010	Chang	D26/71
D611,181 S *	3/2010	Tsai	D26/71
2004/0196653 A1 *	10/2004	Clark	F21S 8/086 362/183

(Continued)

Primary Examiner — Clare E Heflin

(74) Attorney, Agent, or Firm — Christopher J. Van Dam,
PA; Chris Vandam

(57) **CLAIM**

The ornamental design for a camel solar street light, as shown and described.

DESCRIPTION

FIG. 1 shows a front elevation view of a camel solar street light.

FIG. 2 shows a rear elevation view of the camel solar street light.

FIG. 3 shows a side elevation view of the camel solar street light.

FIG. 4 shows a top plan view of the camel solar street light.

FIG. 5 shows a bottom plan view of the camel solar street light.

FIG. 6 shows a perspective view of the camel solar street light.

FIG. 7 shows a perspective view of the camel solar street light.

FIG. 8 shows a perspective view of the camel solar street light.

FIG. 9 shows a perspective view of the camel solar street light.

FIG. 10 shows a side elevation view of the camel solar street light.

FIG. 11 shows a perspective view of the camel solar street light.

FIG. 12 shows a perspective view of the camel solar street light.

FIG. 13 shows a perspective view of the camel solar street light.

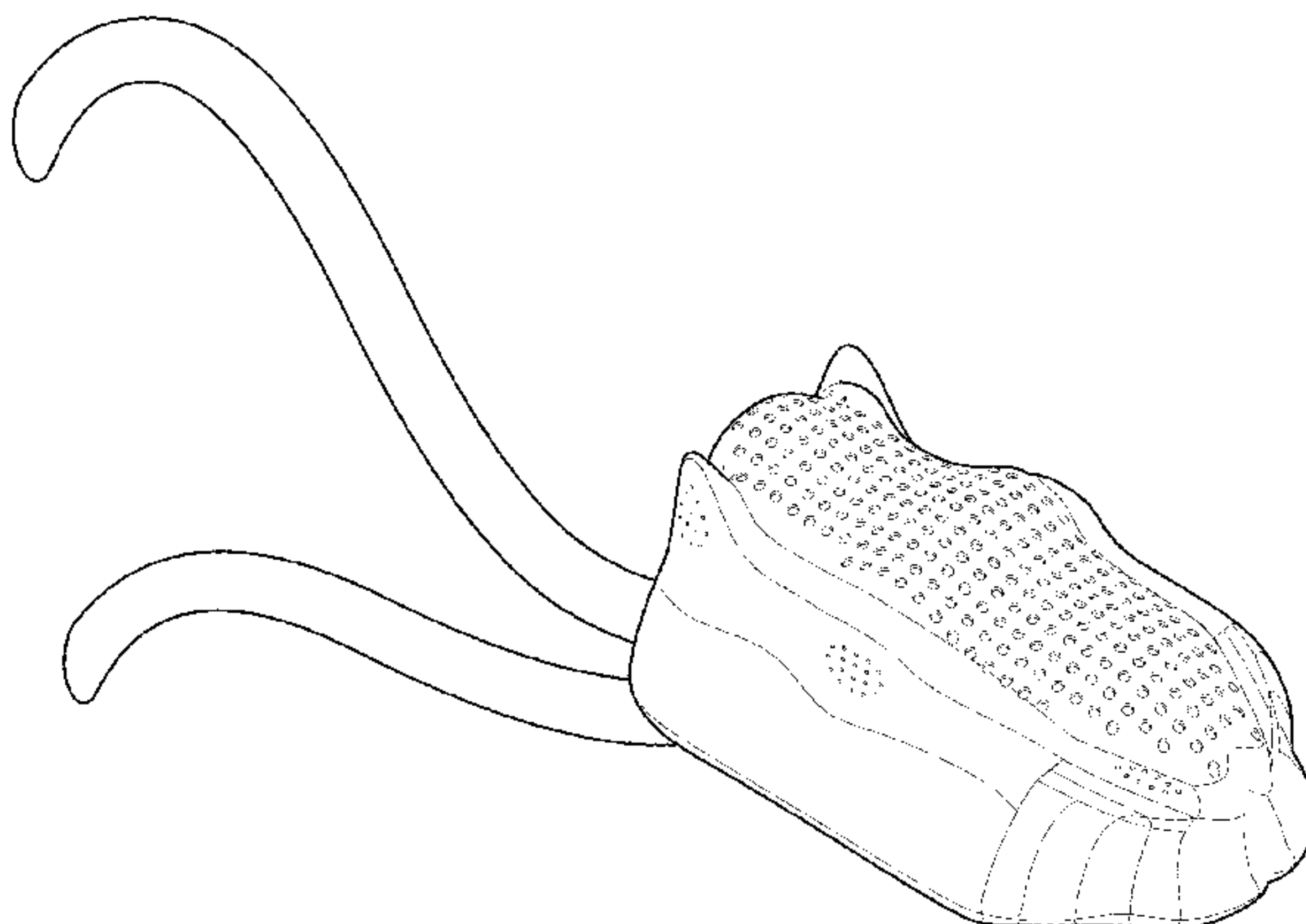
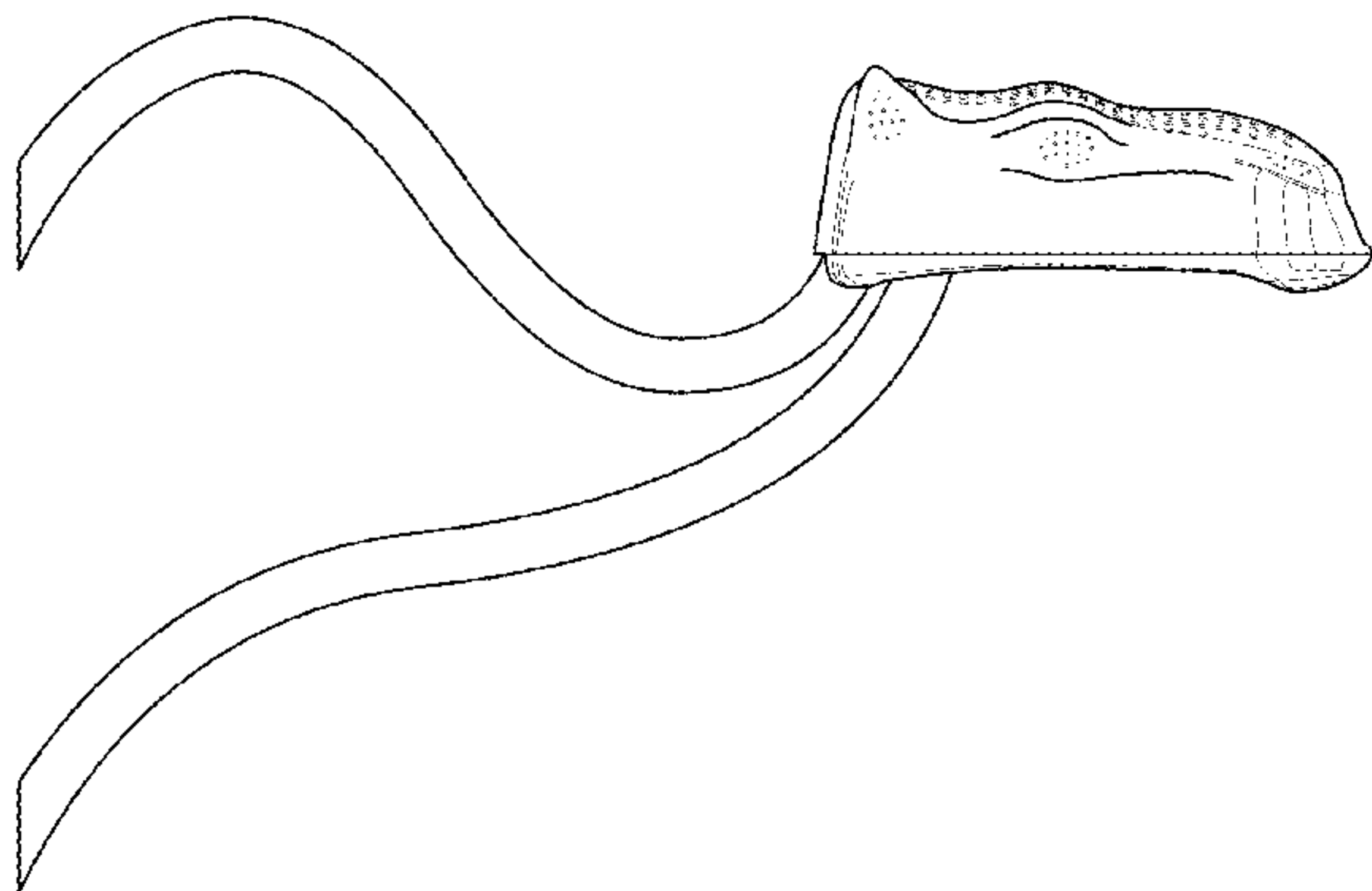
FIG. 14 shows a perspective view of the camel solar street light.

FIG. 15 shows a perspective view of the camel solar street light; and,

FIG. 16 shows a perspective view of the camel solar street light.

The broken lines shown on the drawings depict portions of the camel solar street light that form no part of the claimed design.

1 Claim, 16 Drawing Sheets



(56)

References Cited

U.S. PATENT DOCUMENTS

2009/0316404 A1* 12/2009 Mo F21S 8/086
362/249.01
2010/0220470 A1* 9/2010 Kim F21V 21/30
362/231
2011/0128728 A1* 6/2011 Zheng F21S 9/035
362/184
2018/0080639 A1* 3/2018 Papai F21V 21/116

* cited by examiner

Fig. 1

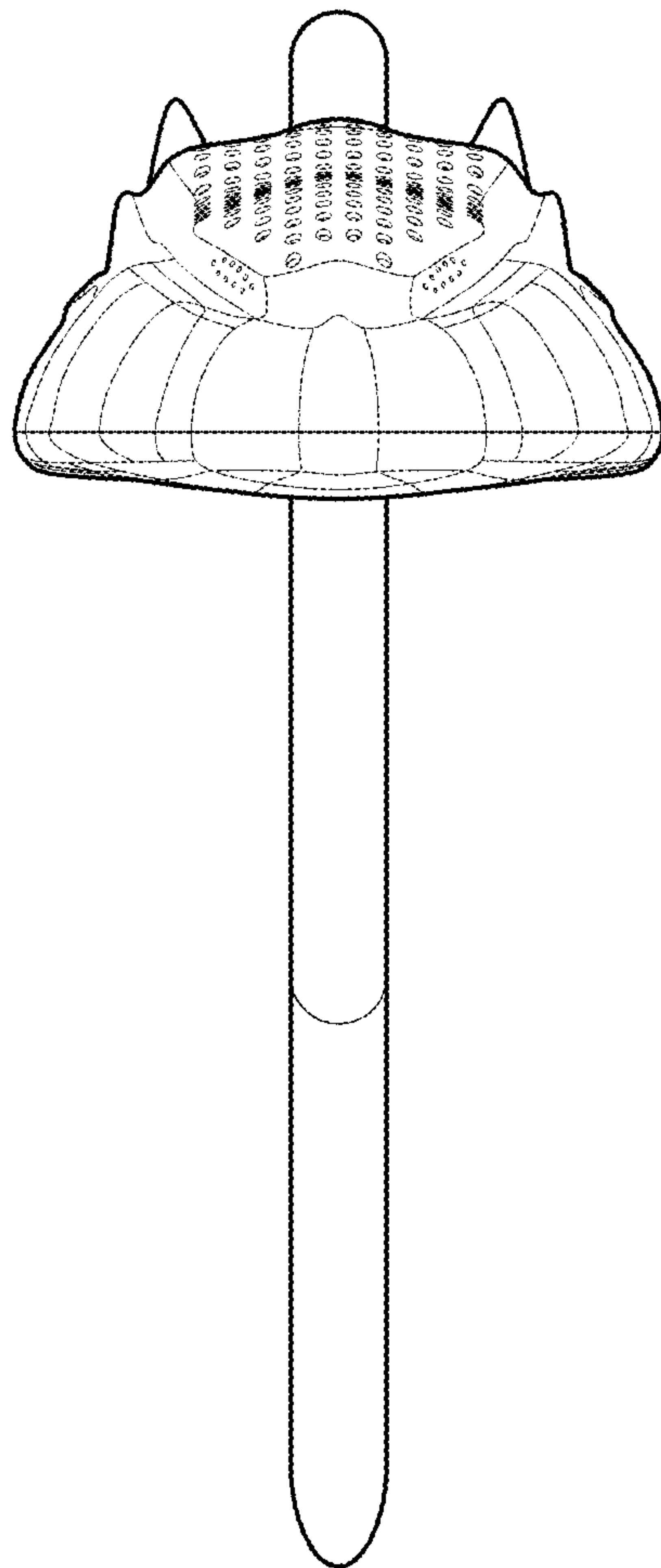


Fig. 2

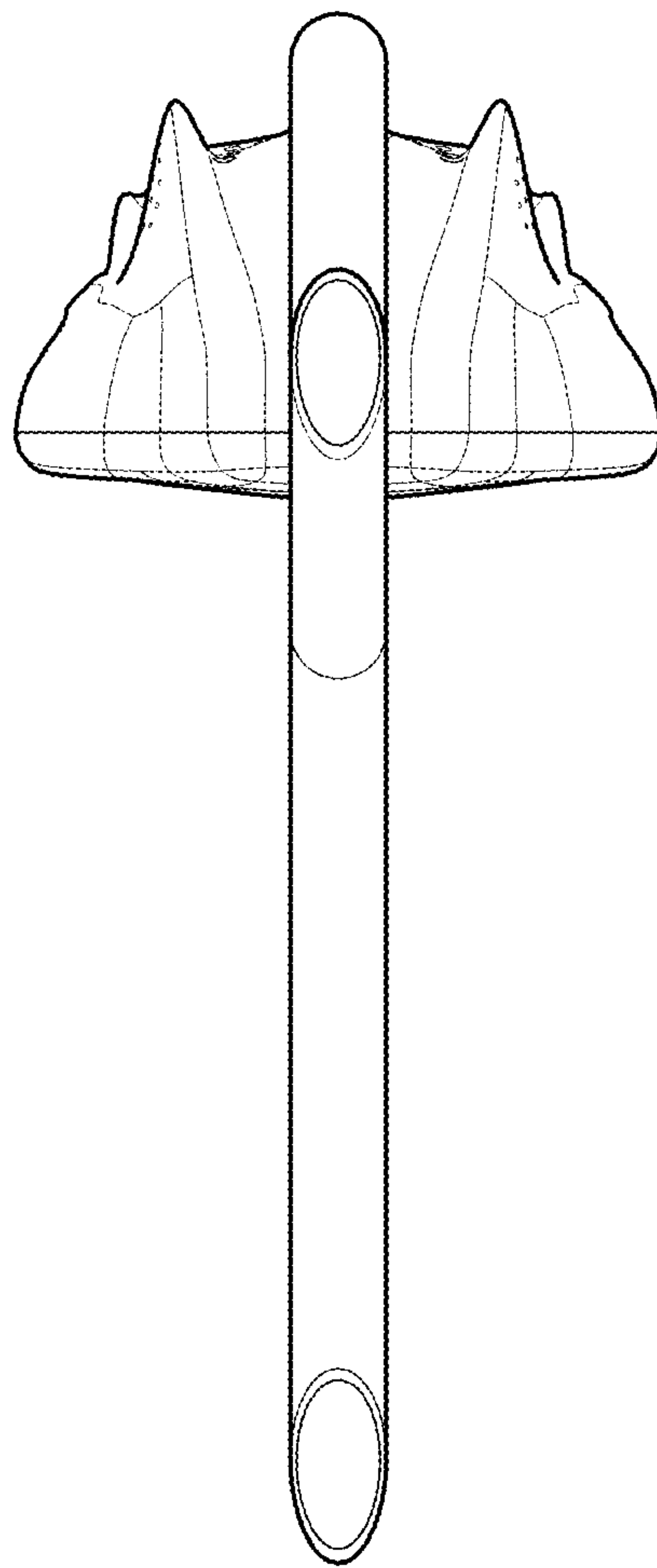


Fig. 3

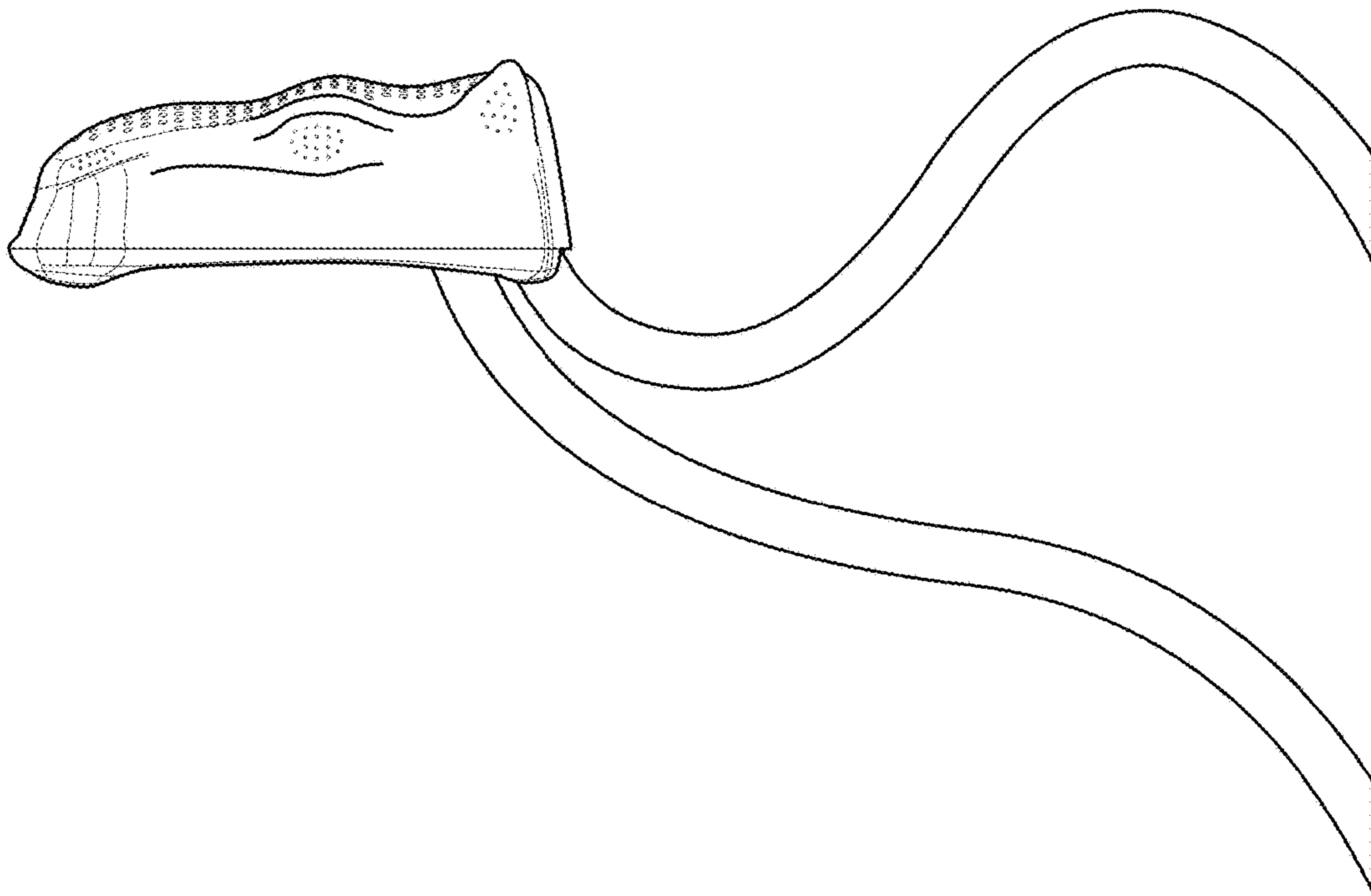


Fig. 4

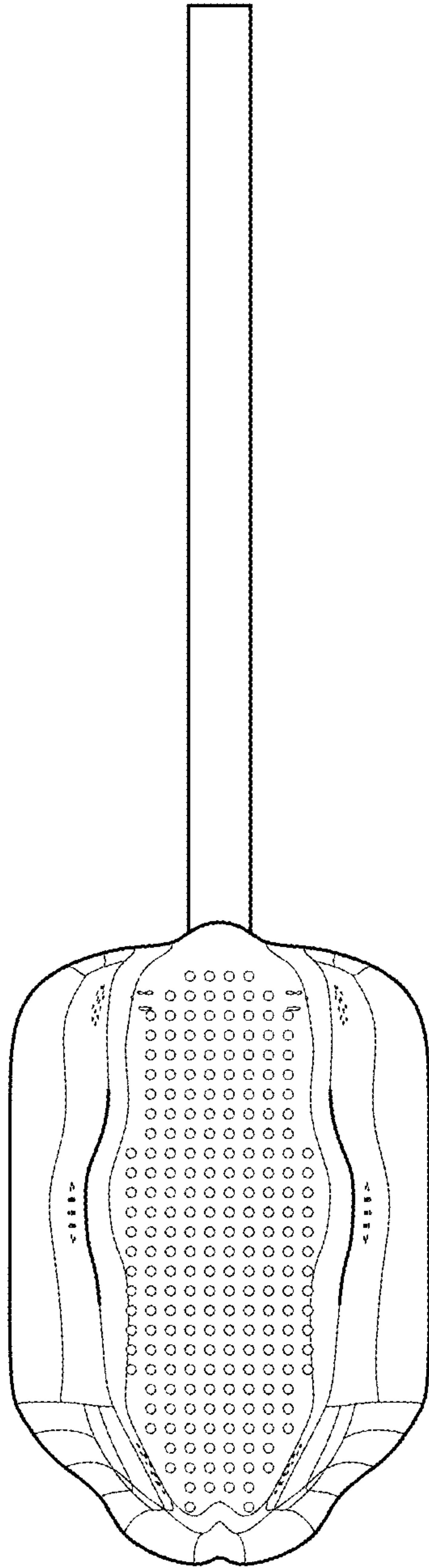


Fig. 5

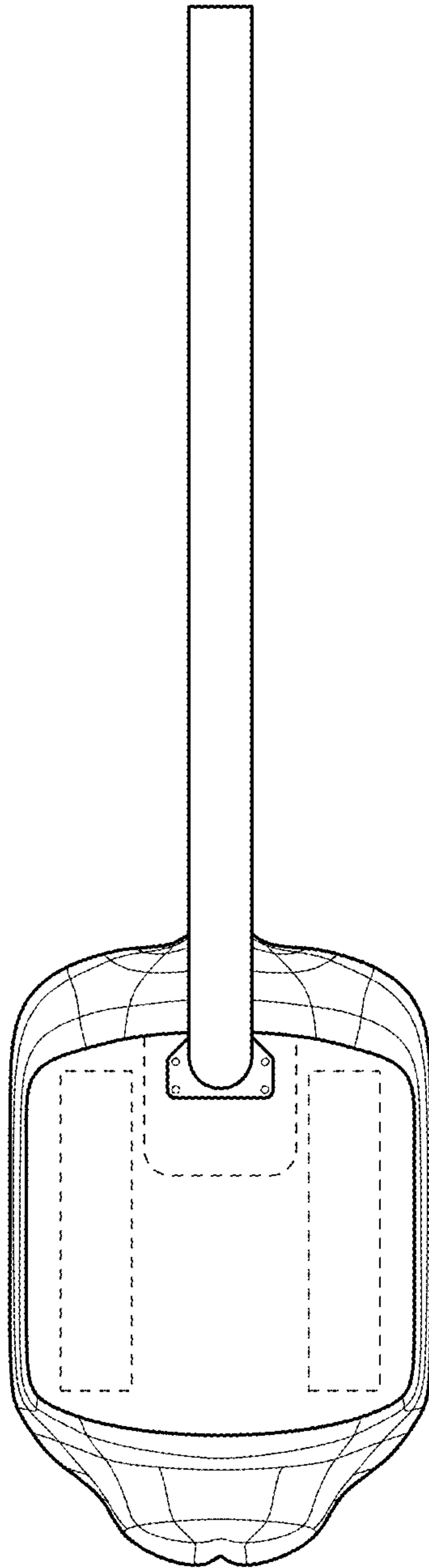


Fig. 6

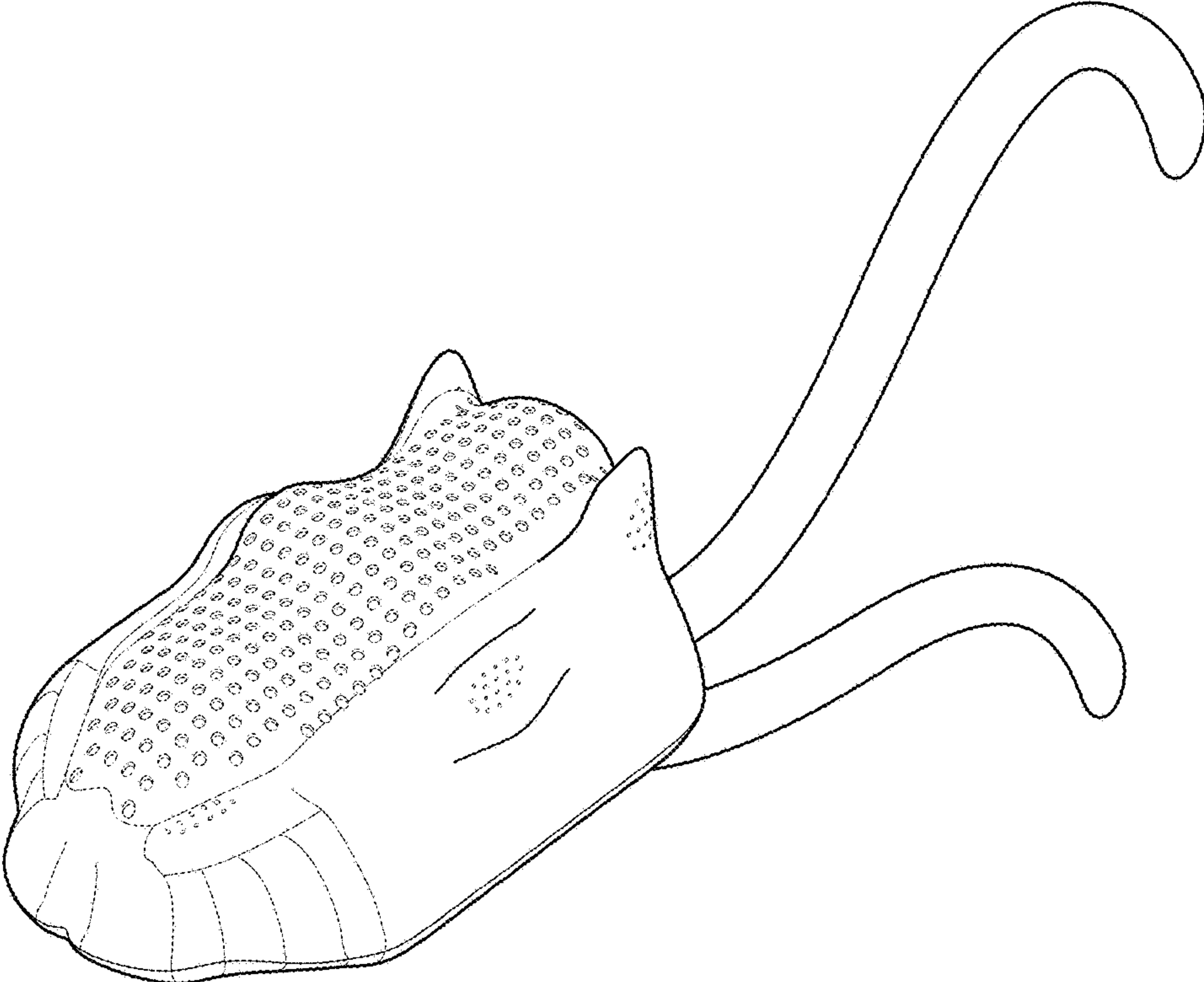


Fig. 7

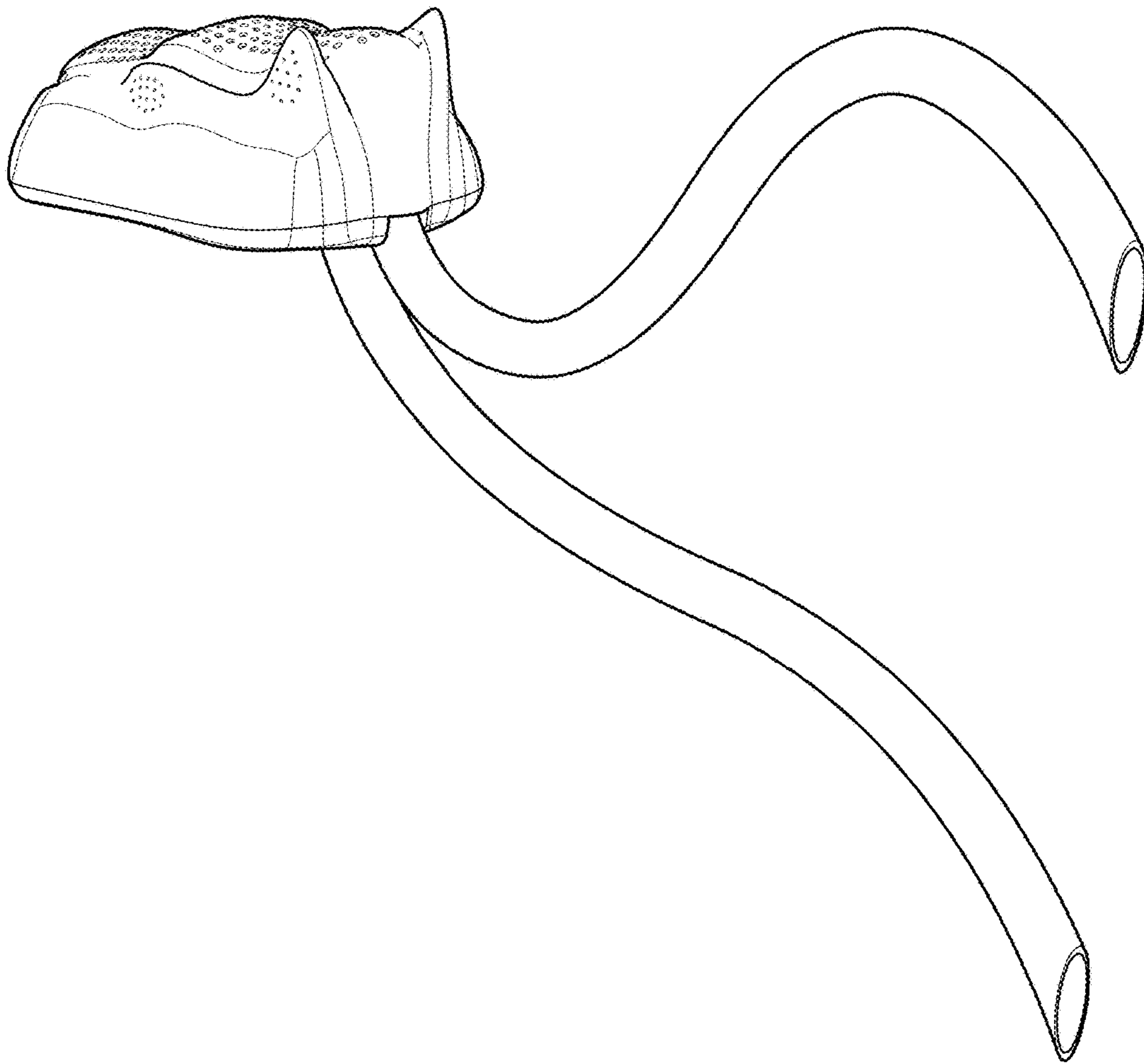


Fig. 8

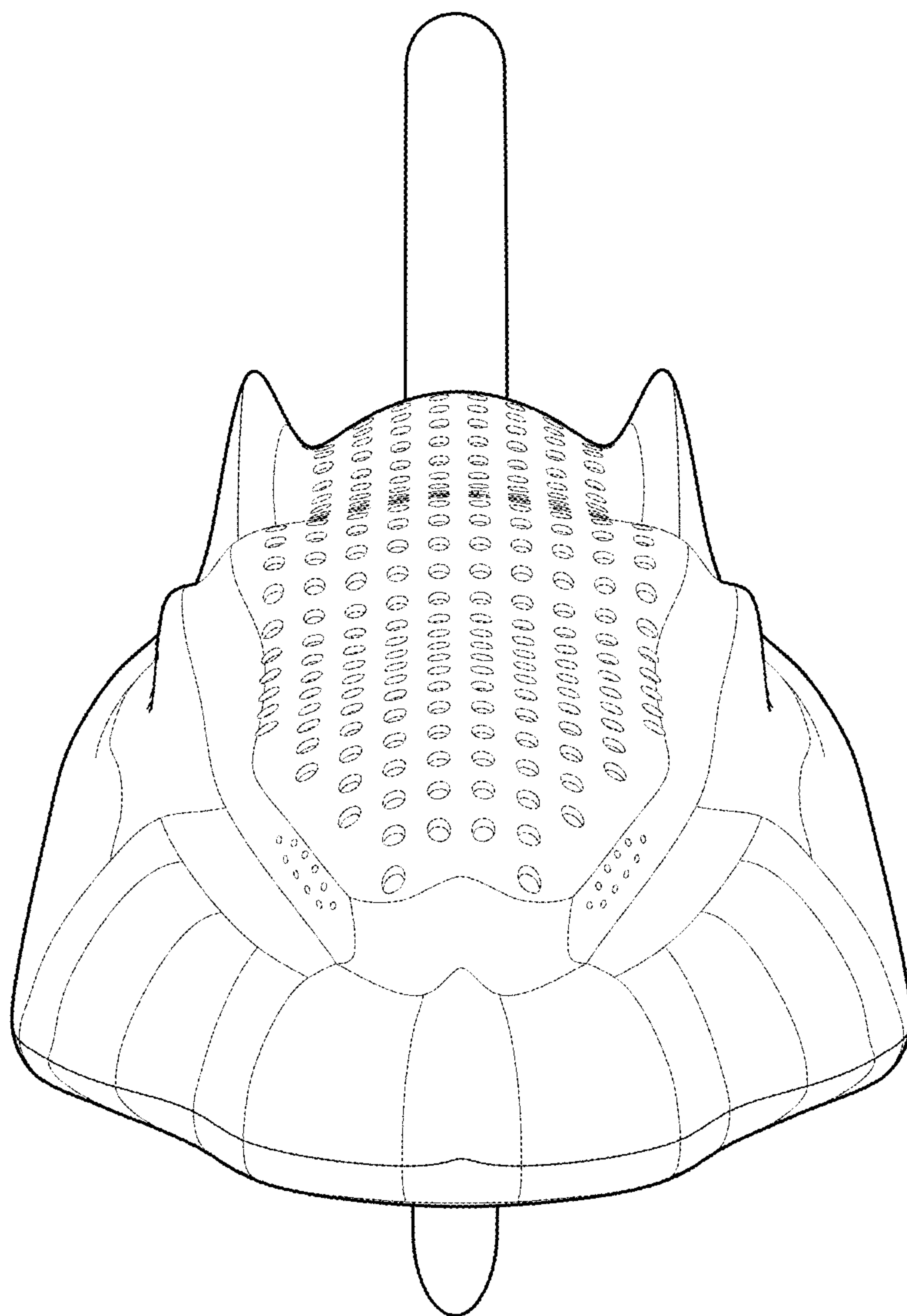


Fig. 9

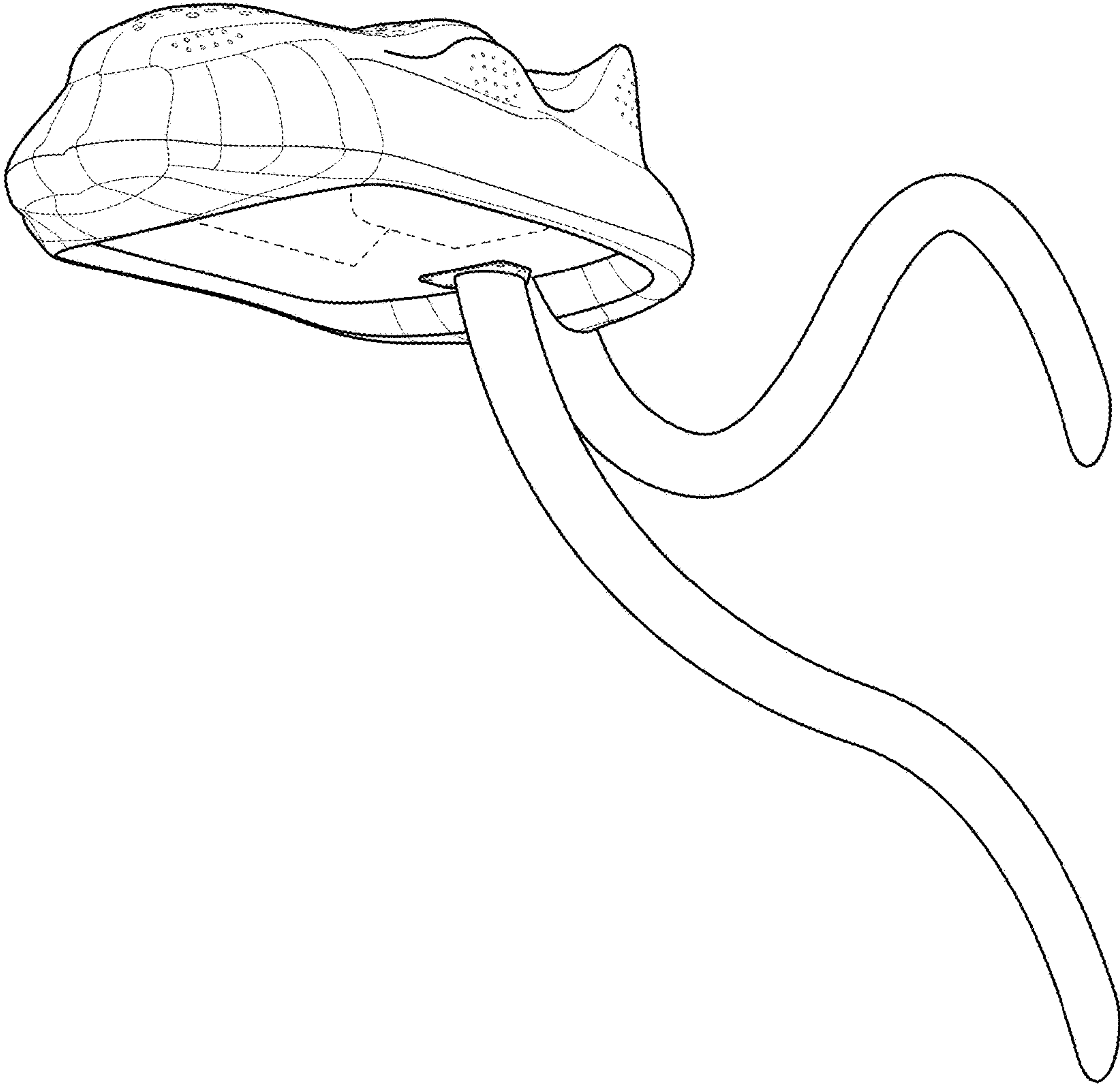


Fig. 10

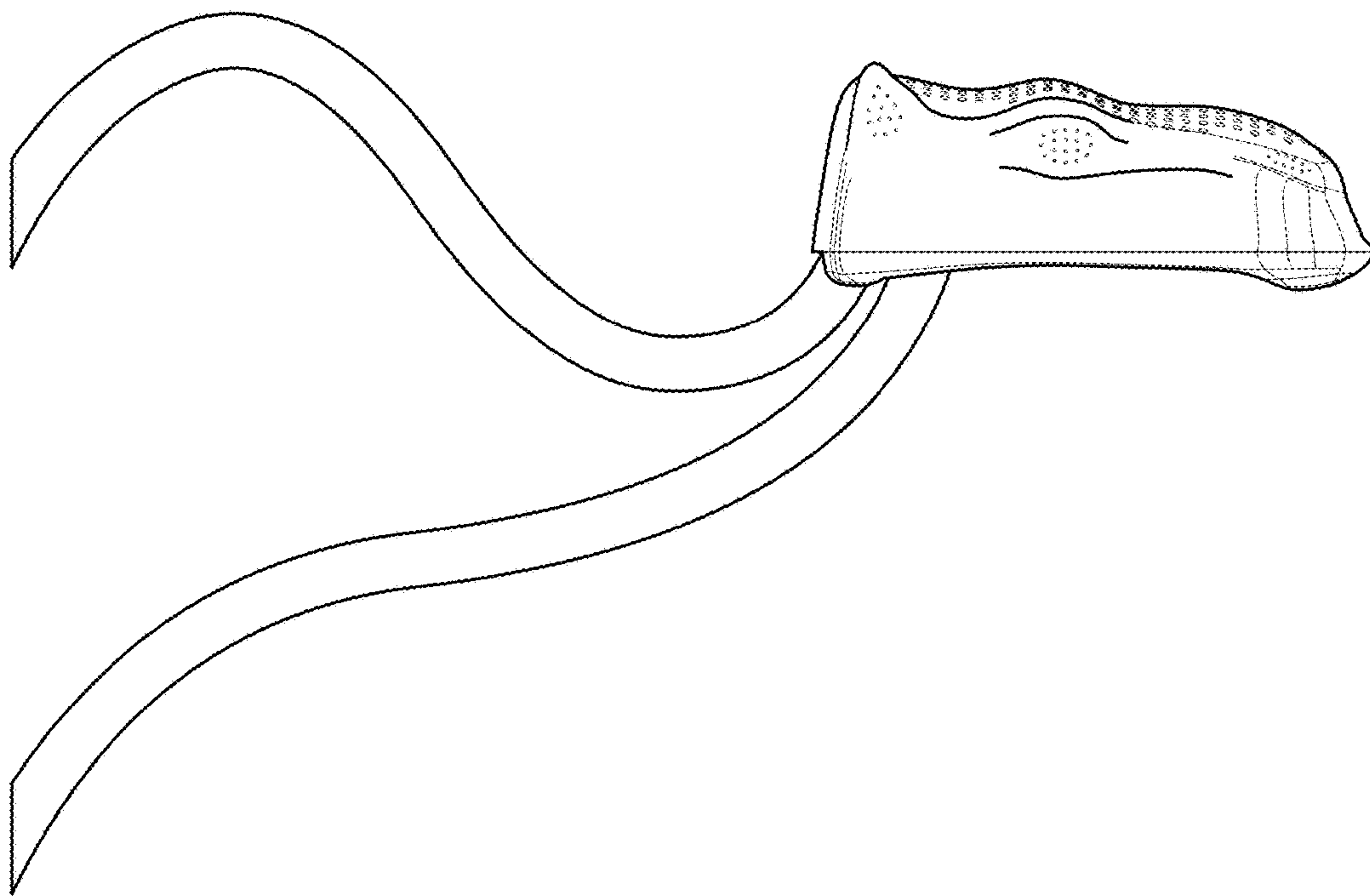


Fig. 11

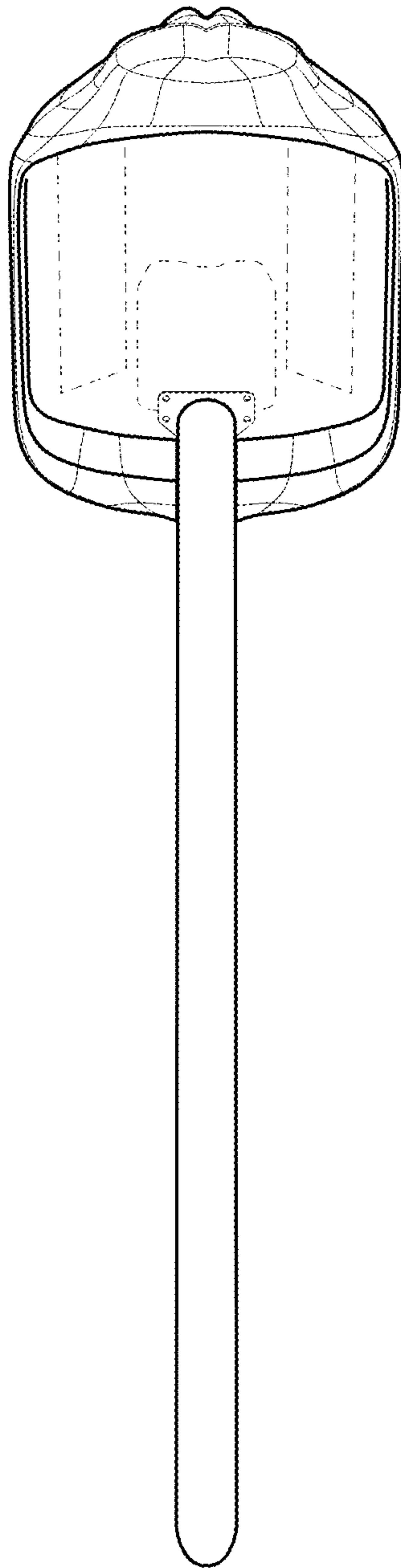


Fig. 12

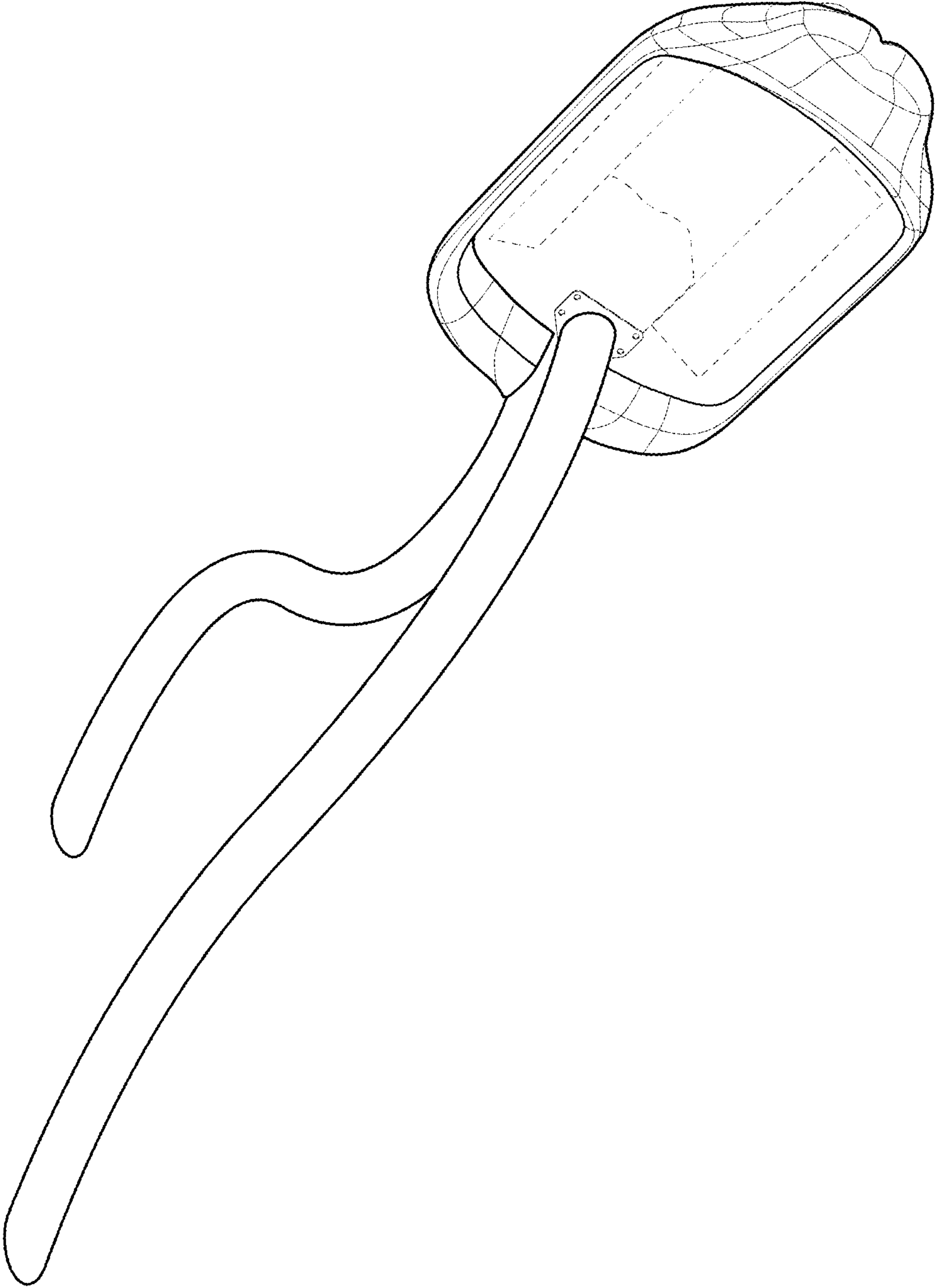


Fig. 13

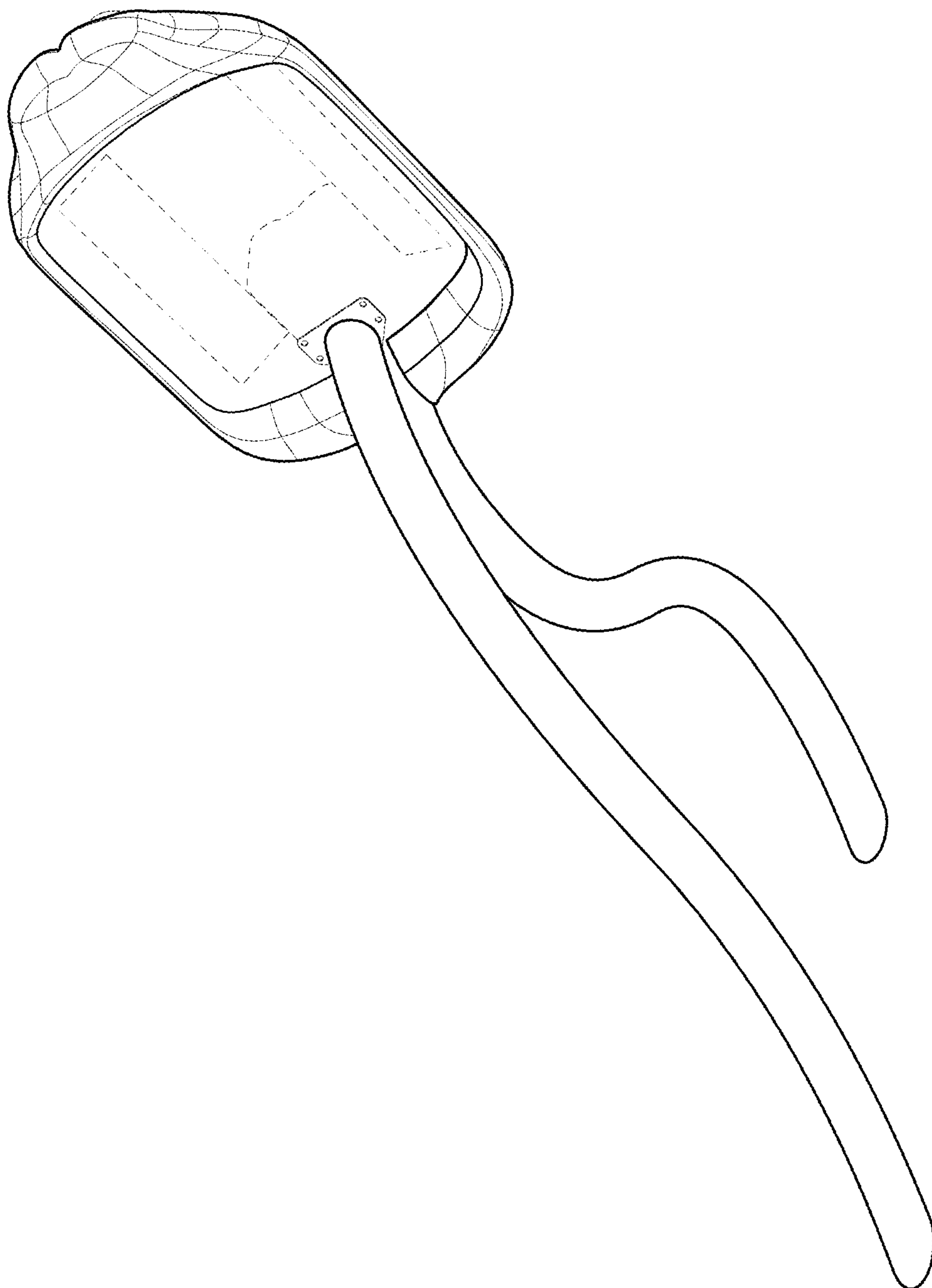


Fig. 14

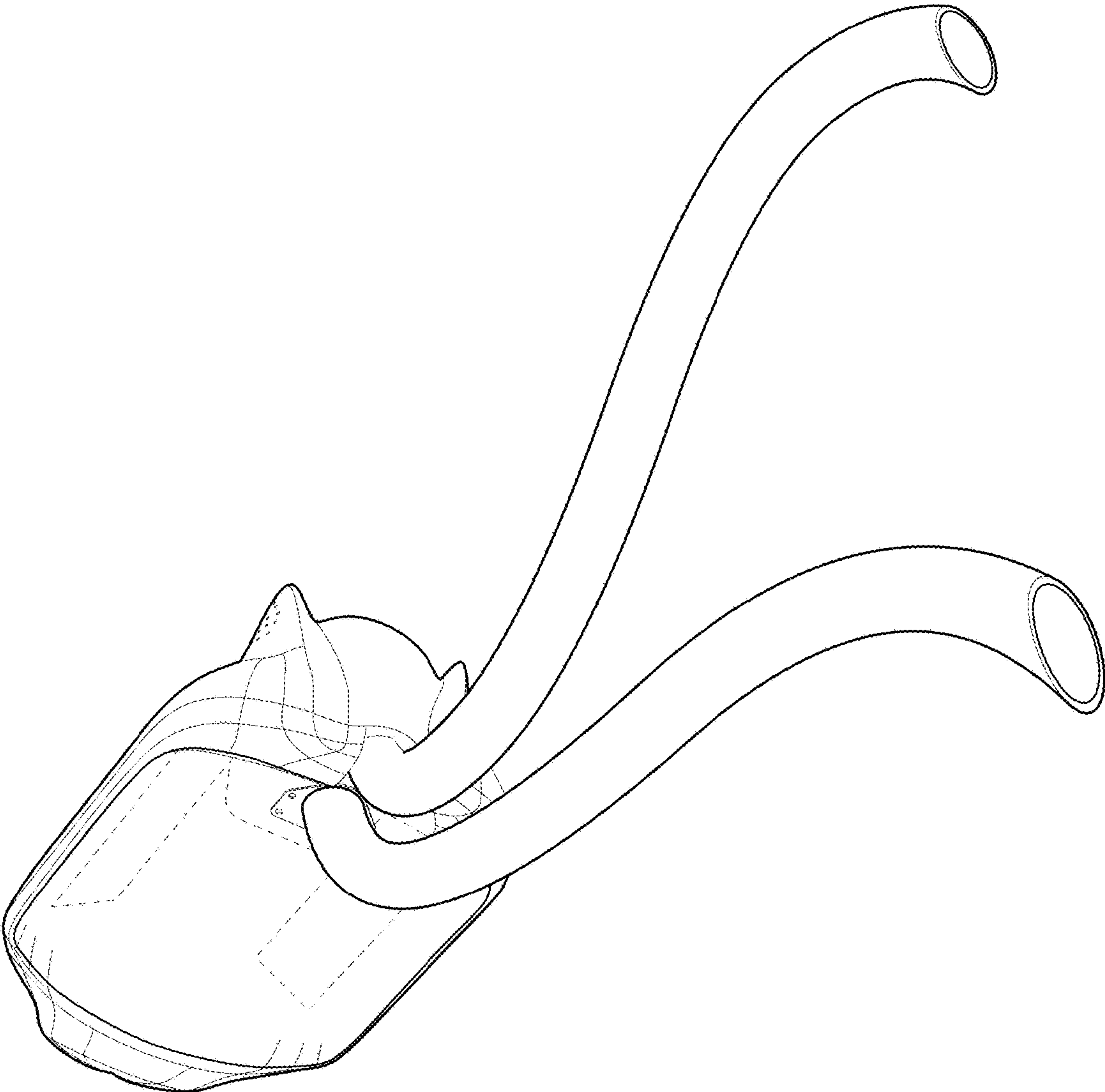


Fig. 15

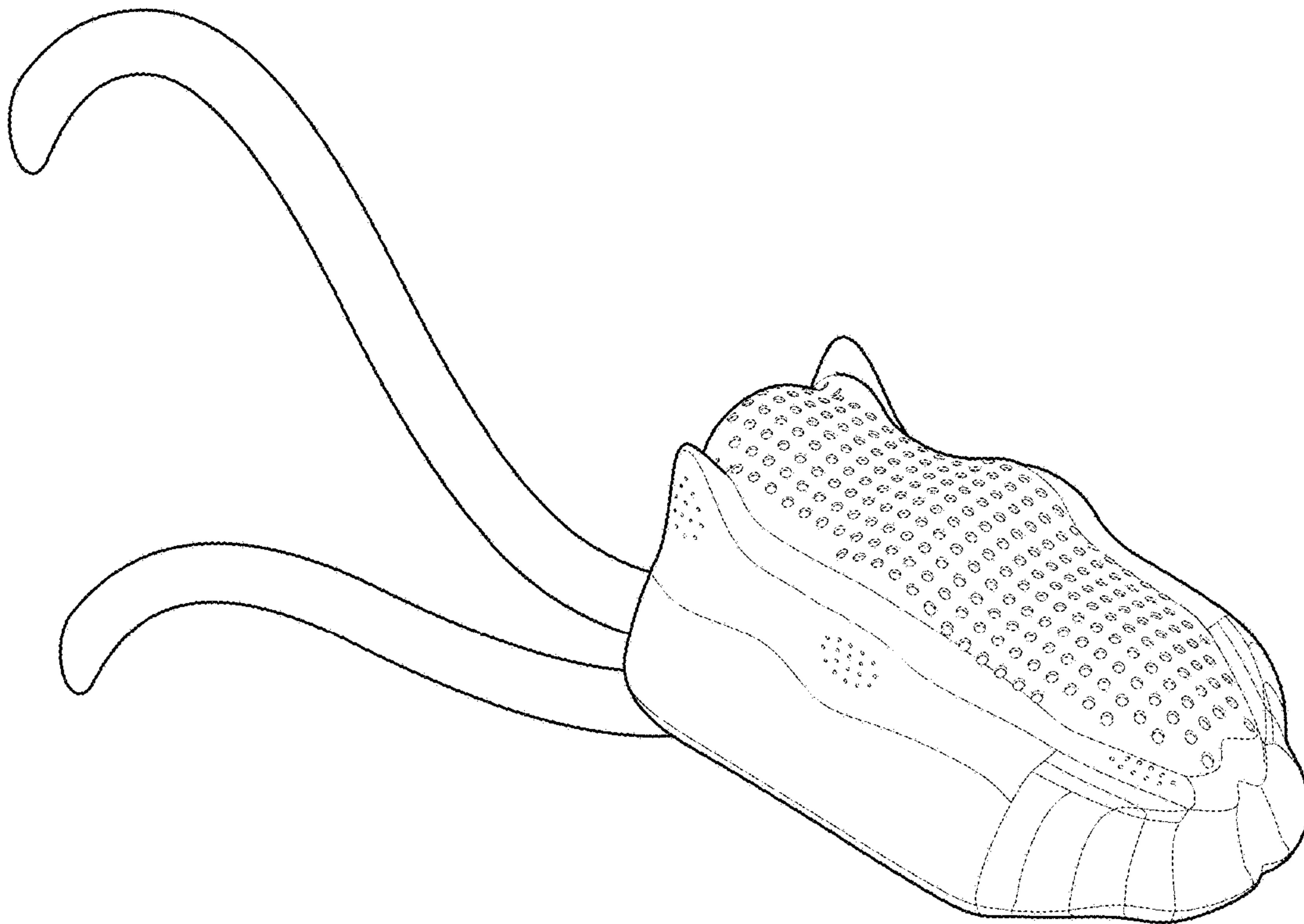


Fig. 16

