



US00D846171S

(12) **United States Design Patent**  
**Zhu**

(10) **Patent No.:** **US D846,171 S**  
(45) **Date of Patent:** **\*\* Apr. 16, 2019**

(54) **LED FLOOD LIGHT**

(71) Applicant: **Dongsheng Zhu**, Guangdong (CN)

(72) Inventor: **Dongsheng Zhu**, Guangdong (CN)

(\*\*) Term: **15 Years**

(21) Appl. No.: **29/624,201**

(22) Filed: **Oct. 31, 2017**

(51) **LOC (11) Cl.** ..... **26-03**

(52) **U.S. Cl.**  
USPC ..... **D26/63**

(58) **Field of Classification Search**  
USPC ..... D26/1, 4, 24, 27, 51, 61, 63, 64, 65, 93,  
D26/94, 104, 106  
CPC .. A63H 13/00; F21S 6/00; F21S 6/002; F21S  
10/00; F21V 3/00; F21V 3/0418; F21V  
15/00; F21V 21/02; F21V 31/00; F21W  
2121/00; F21W 2131/30  
See application file for complete search history.

(56) **References Cited**

**U.S. PATENT DOCUMENTS**

D624,682 S \* 9/2010 Ying ..... D26/63  
D625,870 S \* 10/2010 Feigenbaum ..... D26/63

D693,508 S \* 11/2013 Fletcher ..... D26/63  
D695,435 S \* 12/2013 Pedersen ..... D26/63  
D711,030 S \* 8/2014 Zhan ..... D26/65  
D736,982 S \* 8/2015 Yasuji Fletcher ..... D26/63  
D761,473 S \* 7/2016 Zhang ..... D26/63  
D762,902 S \* 8/2016 Ke ..... D26/63  
D797,339 S \* 9/2017 Wang ..... D26/63  
D799,094 S \* 10/2017 Li ..... D26/63  
D799,729 S \* 10/2017 Zhong ..... D26/63  
D803,449 S \* 11/2017 Xu ..... D26/63

\* cited by examiner

*Primary Examiner* — Brian N. Vinson

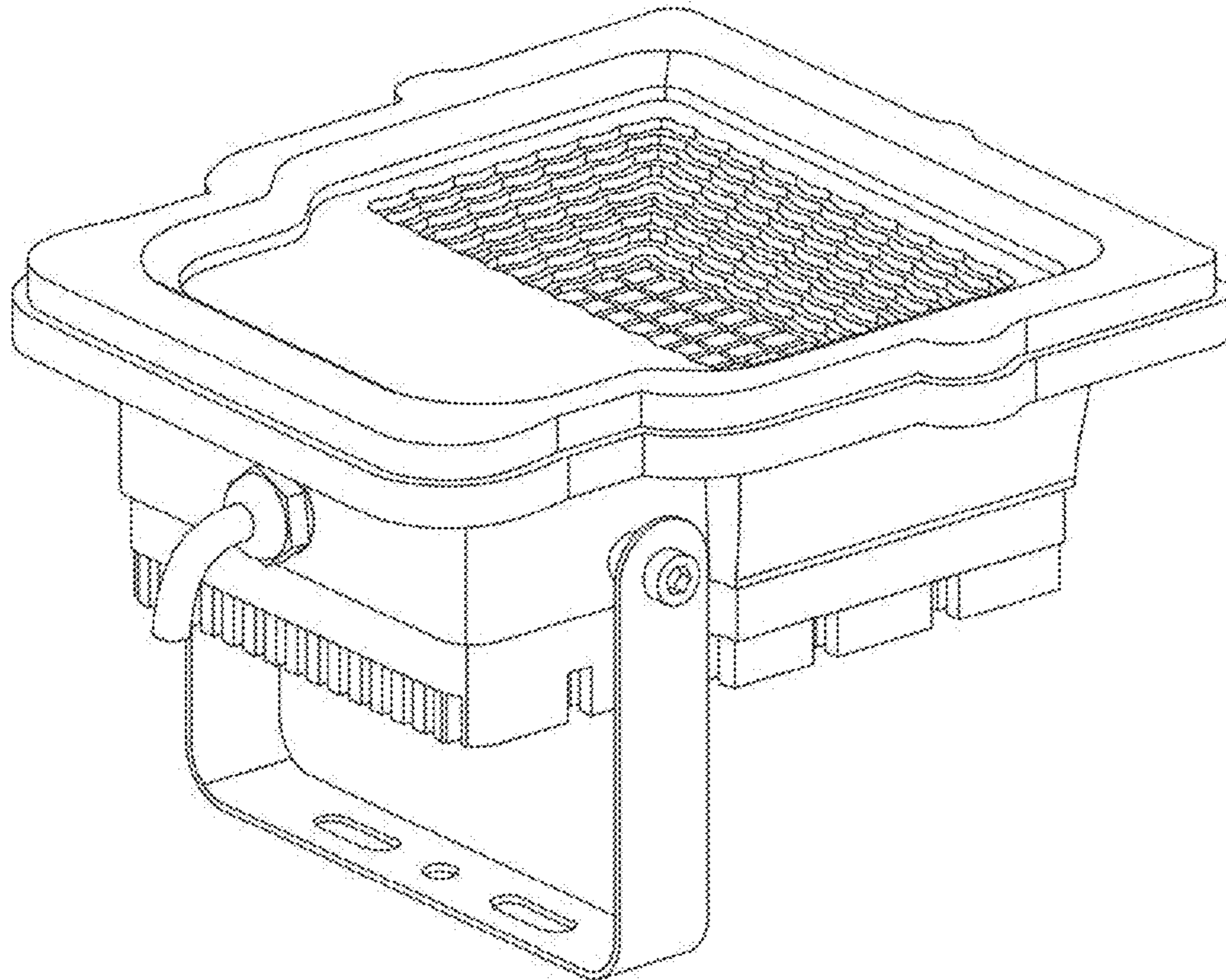
(57) **CLAIM**

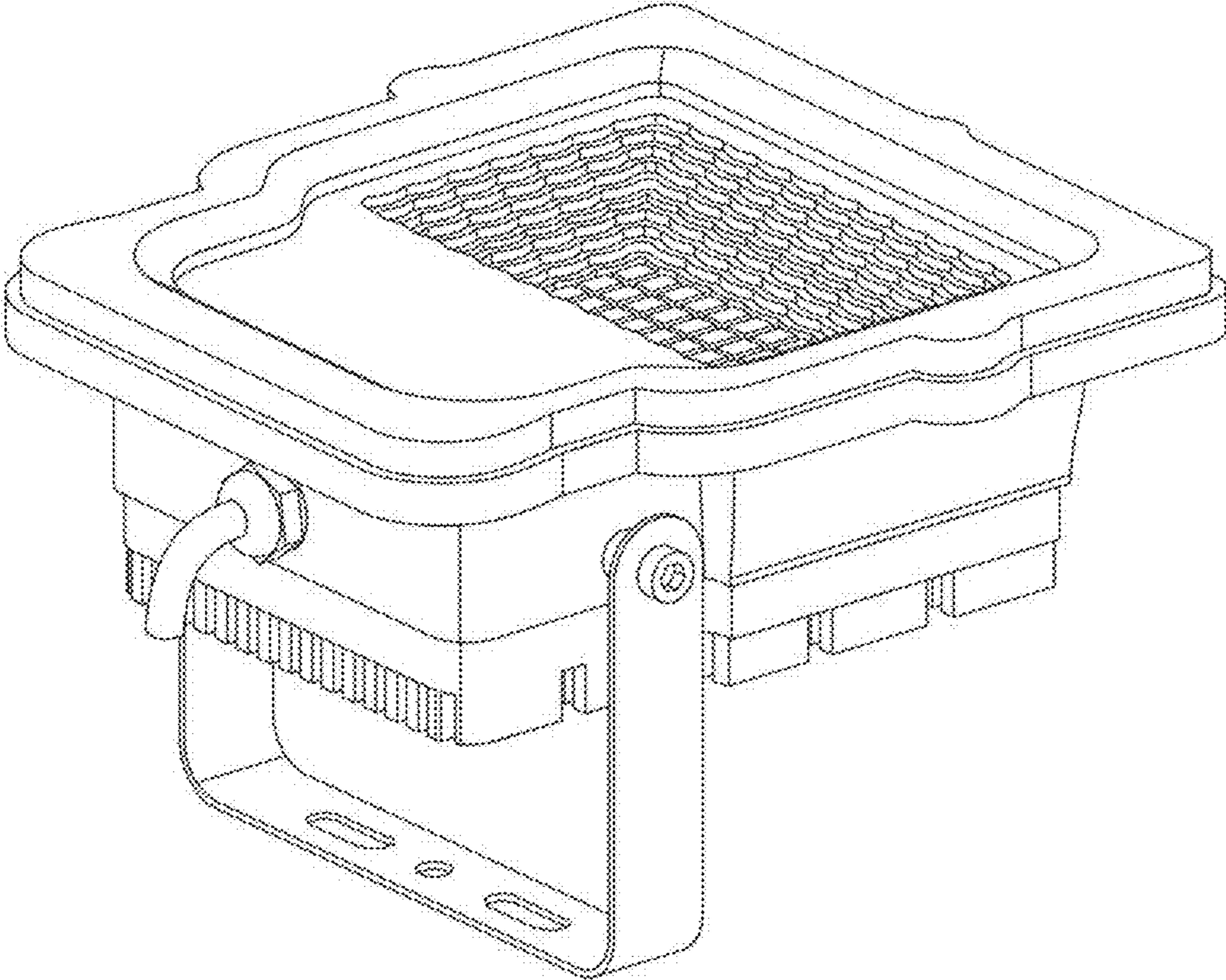
The ornamental design for LED flood light, as shown and described.

**DESCRIPTION**

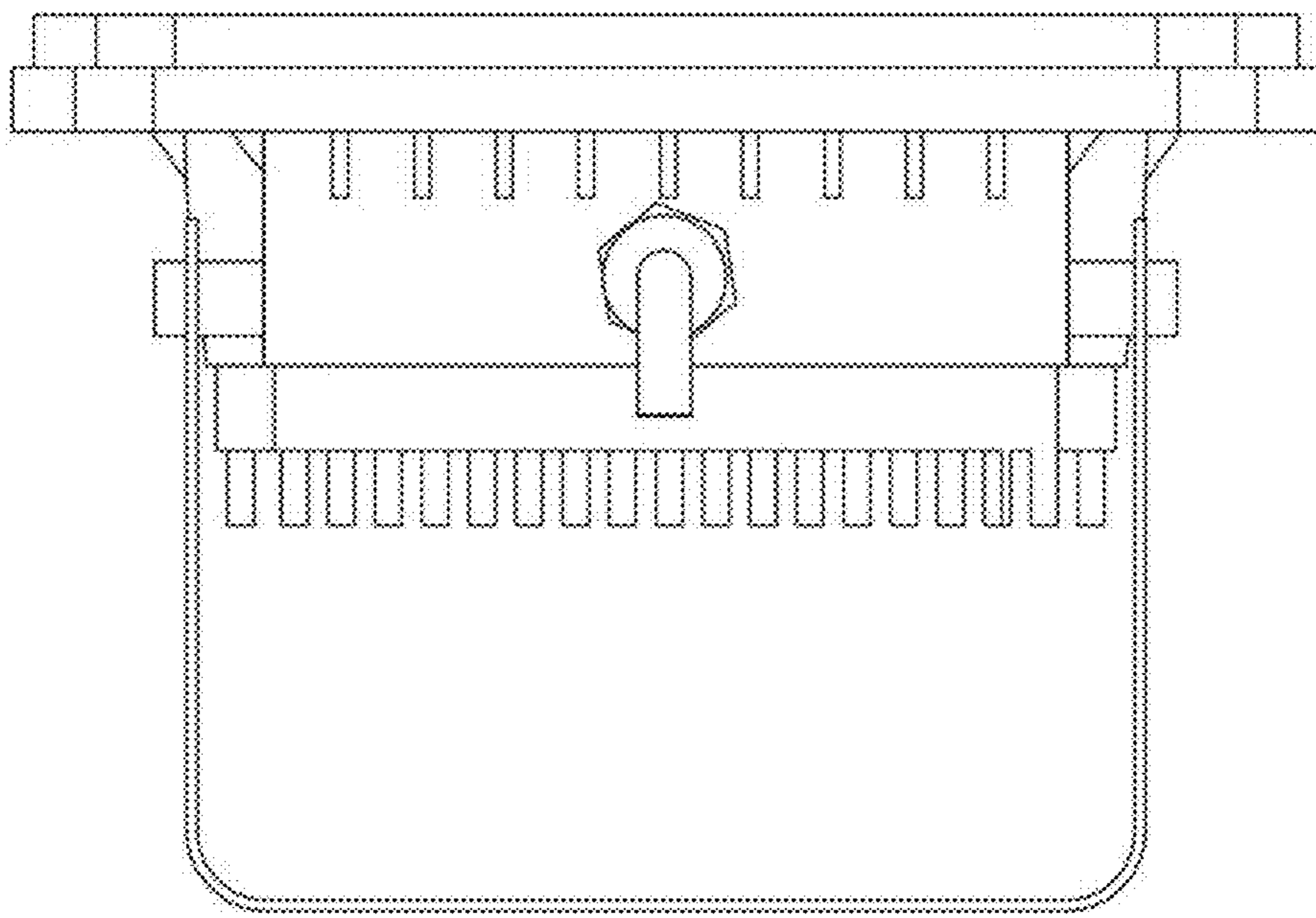
FIG. 1 is a perspective view of a LED flood light showing my new design;  
FIG. 2 is a front elevational view thereof;  
FIG. 3 is a rear elevational view thereof;  
FIG. 4 is a right side view thereof;  
FIG. 5 is a left side view thereof;  
FIG. 6 is a bottom plan view thereof; and,  
FIG. 7 is a top plan view thereof.

**1 Claim, 7 Drawing Sheets**



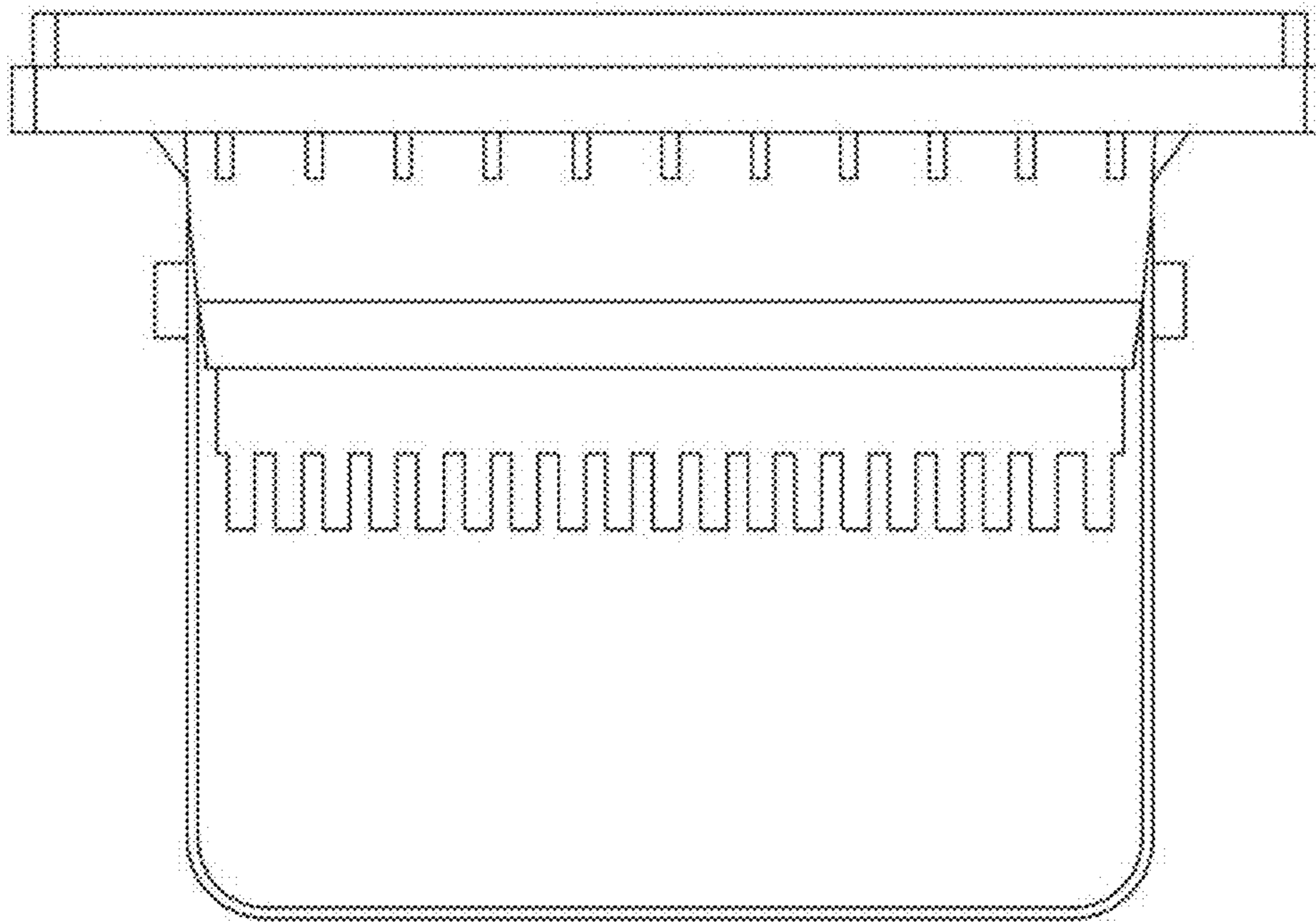


**FIG. 1**

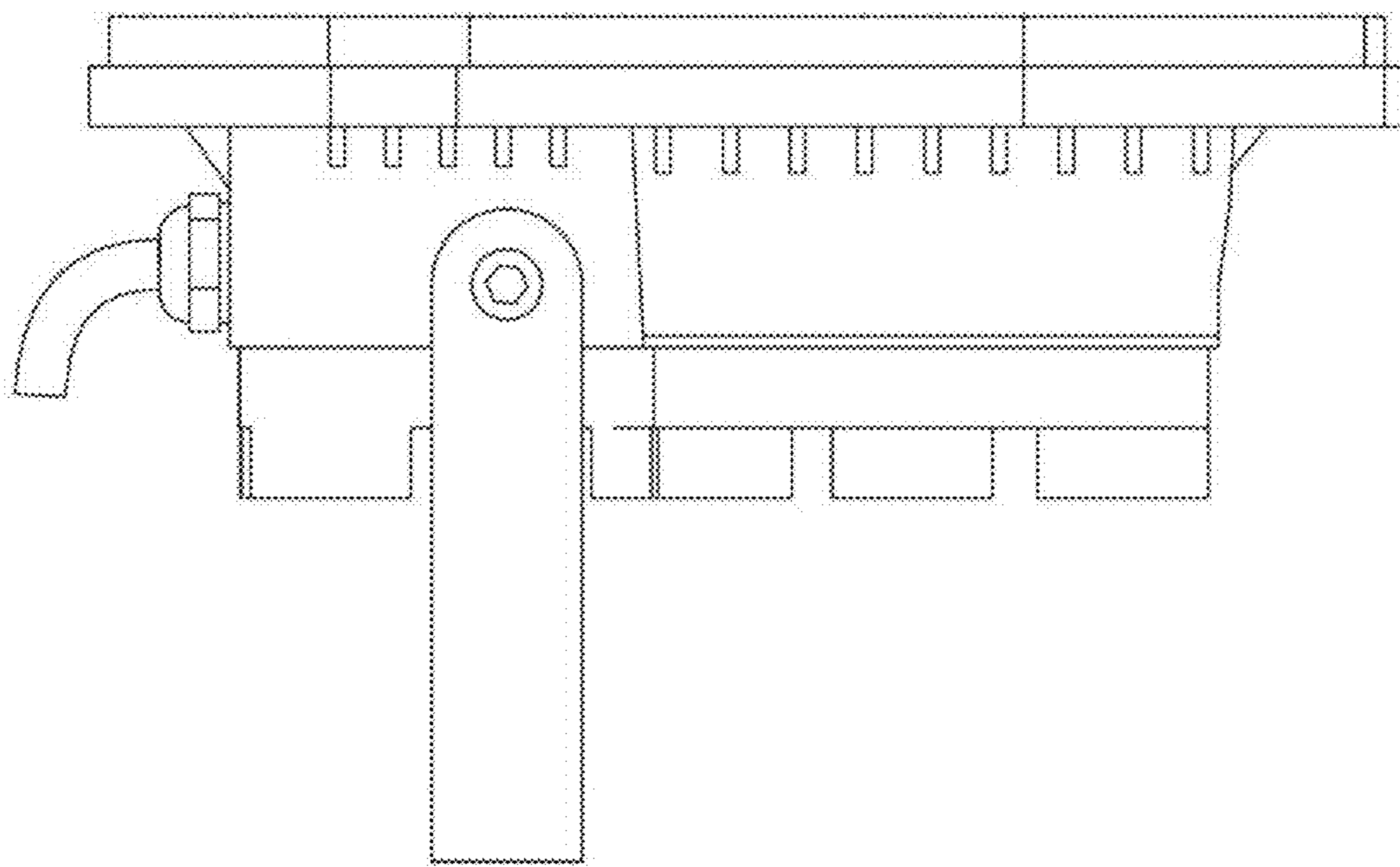


**FIG. 2**

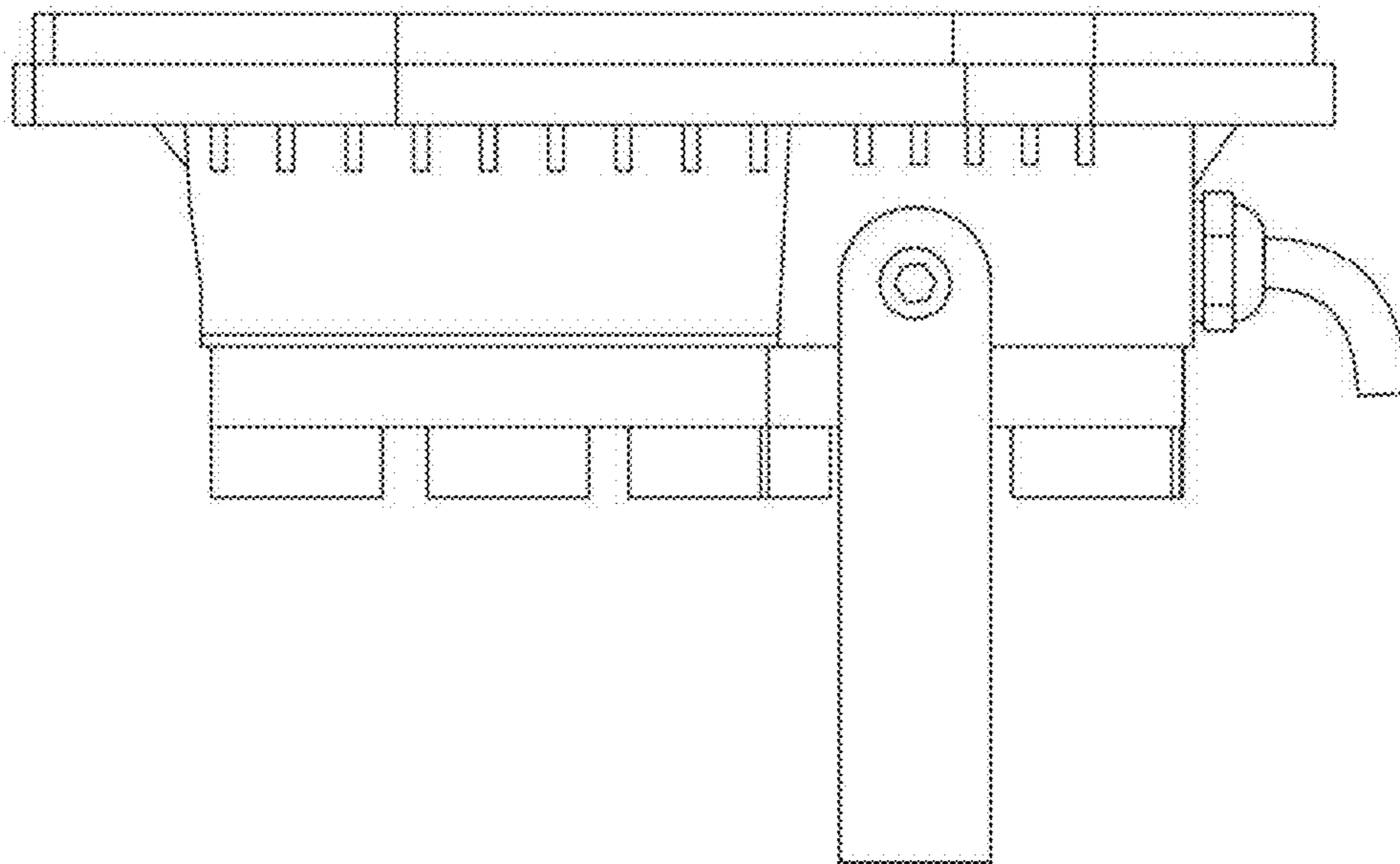




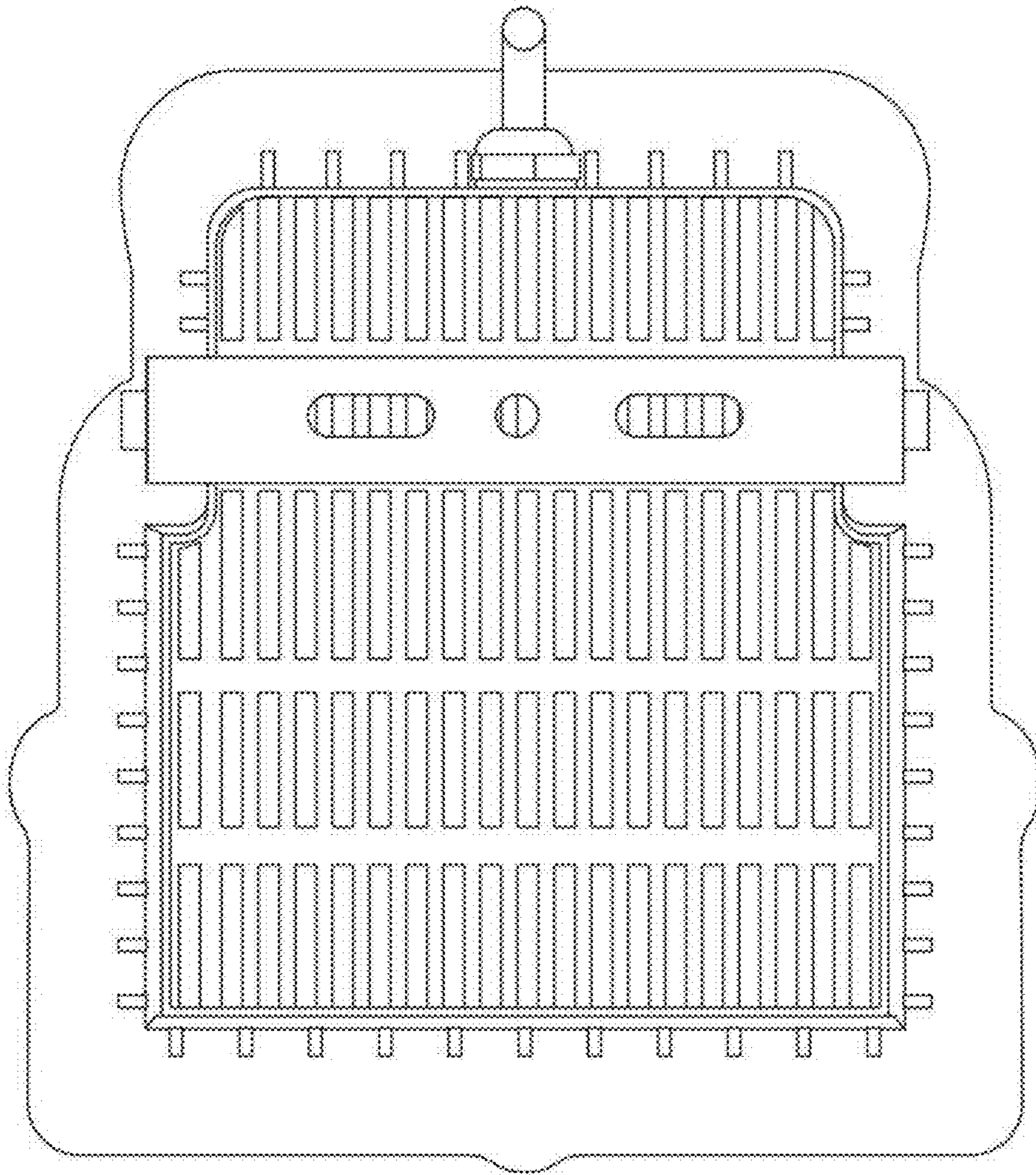
**FIG. 3**



**FIG. 4**

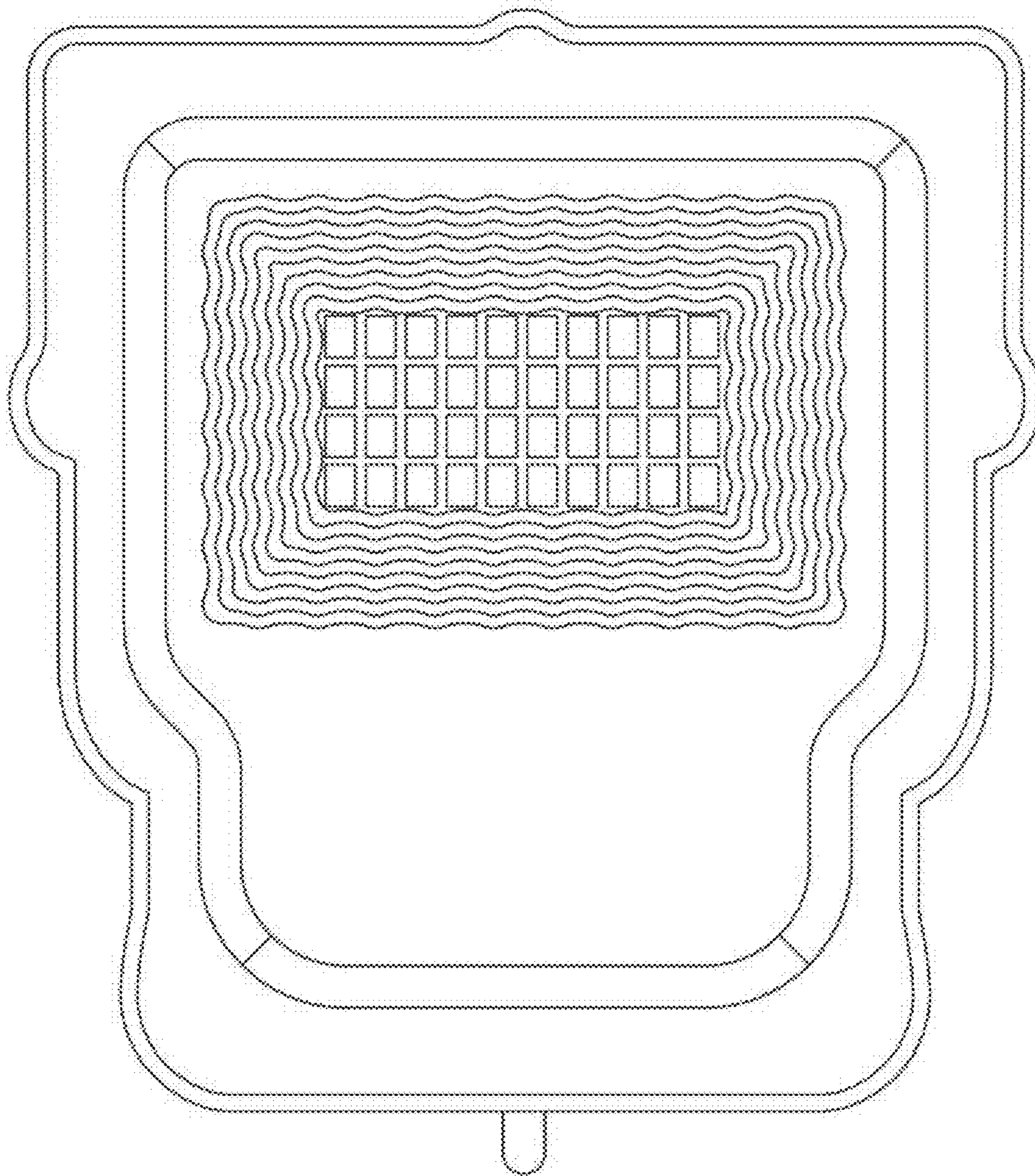


**FIG. 5**



**FIG. 6**





**FIG. 7**