



US00D846170S

(12) **United States Design Patent** (10) **Patent No.:** **US D846,170 S**
McRoberts (45) **Date of Patent:** **** Apr. 16, 2019**

- (54) **CEILING FAN LIGHT KIT**
- (71) Applicant: **HUNTER FAN COMPANY**,
Memphis, TN (US)
- (72) Inventor: **Claire Bernice McRoberts**, Memphis,
TN (US)
- (73) Assignee: **Hunter Fan Company**, Memphis, TN
(US)
- (**) Term: **15 Years**
- (21) Appl. No.: **29/633,095**
- (22) Filed: **Jan. 12, 2018**

Related U.S. Application Data

- (62) Division of application No. 29/558,420, filed on Mar. 17, 2016, now Pat. No. Des. 816,204.
- (51) **LOC (11) Cl.** **26-05**
- (52) **U.S. Cl.**
USPC **D26/59**; D26/89
- (58) **Field of Classification Search**
USPC D23/370, 377, 379, 385, 411; D26/85,
D26/88, 89, 130, 133, 134, 51, 59, 67,
D26/72, 80-84, 129, 90, 131, 143,
D26/148-149, 154-155
CPC F04D 25/088; F21V 33/0096
See application file for complete search history.

References Cited

U.S. PATENT DOCUMENTS

- D97,997 S * 12/1935 Glatthar et al. D26/88
- D328,785 S 8/1992 Markwardt
- D329,087 S 9/1992 Markwardt
- D333,867 S 3/1993 Markwardt
- D365,406 S * 12/1995 Kan D20/21
- D385,344 S 10/1997 Green
- D394,106 S * 5/1998 Webb D23/385
- D430,930 S 9/2000 Zuege

- D447,267 S * 8/2001 Hsu D26/85
- D482,117 S 11/2003 Friedes
- D485,348 S 1/2004 Stauffer
- D528,652 S 9/2006 Hidalgo
- D547,483 S 7/2007 Pickett
- D558,384 S * 12/2007 Bickler D26/88
- D570,022 S 5/2008 Ertze
- D598,997 S 8/2009 Klausing et al.

(Continued)

OTHER PUBLICATIONS

<http://www.hunterfan.com/Ceiling-Fans/Acadia?ModelNumber=59171>, Item Specification for Acadia 46" Ceiling Fan, Accessed Mar. 8, 2016.

(Continued)

Primary Examiner — Cathron C Brooks

Assistant Examiner — Sharon S Oum

(74) *Attorney, Agent, or Firm* — McGarry Bair PC

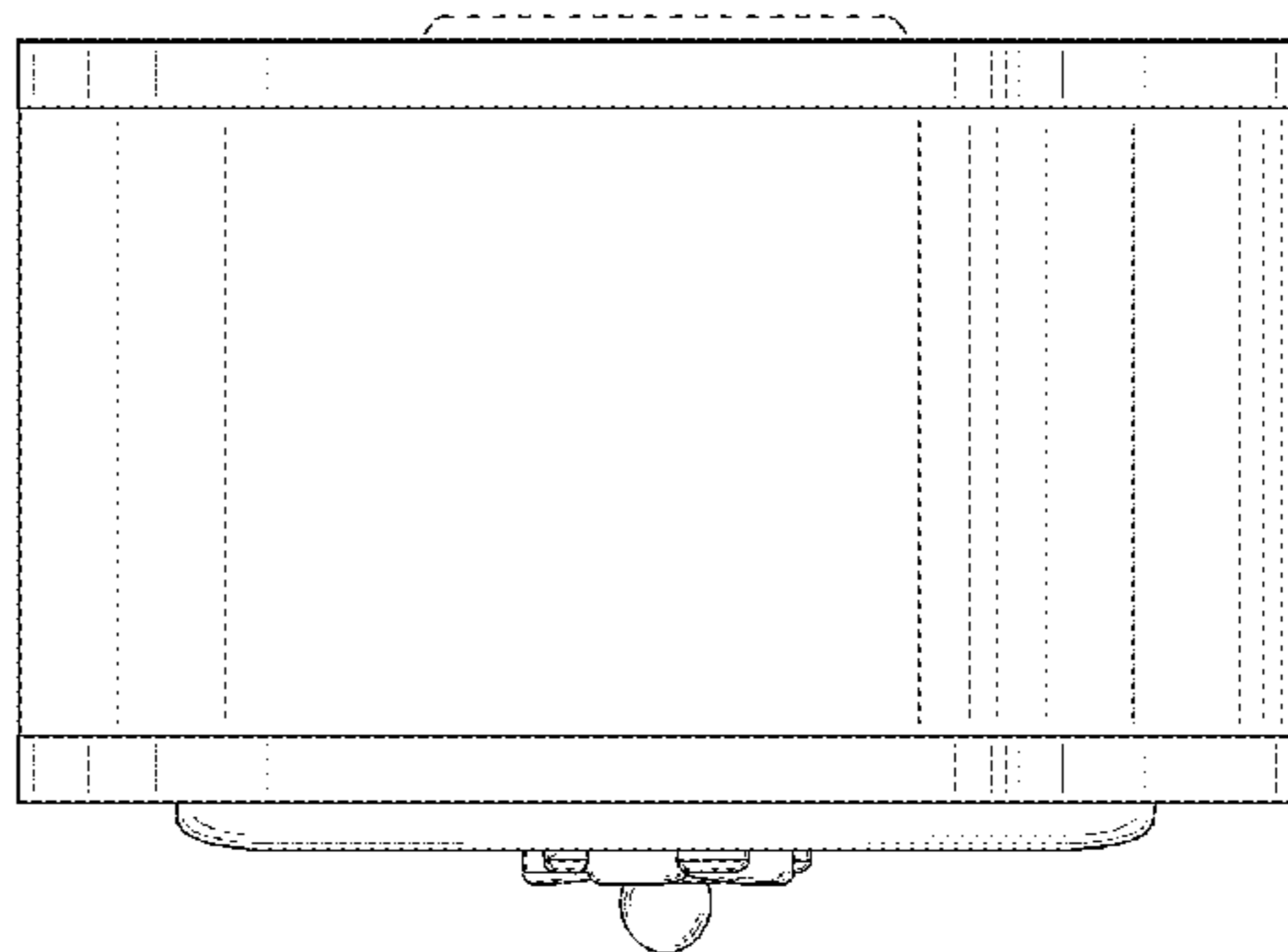
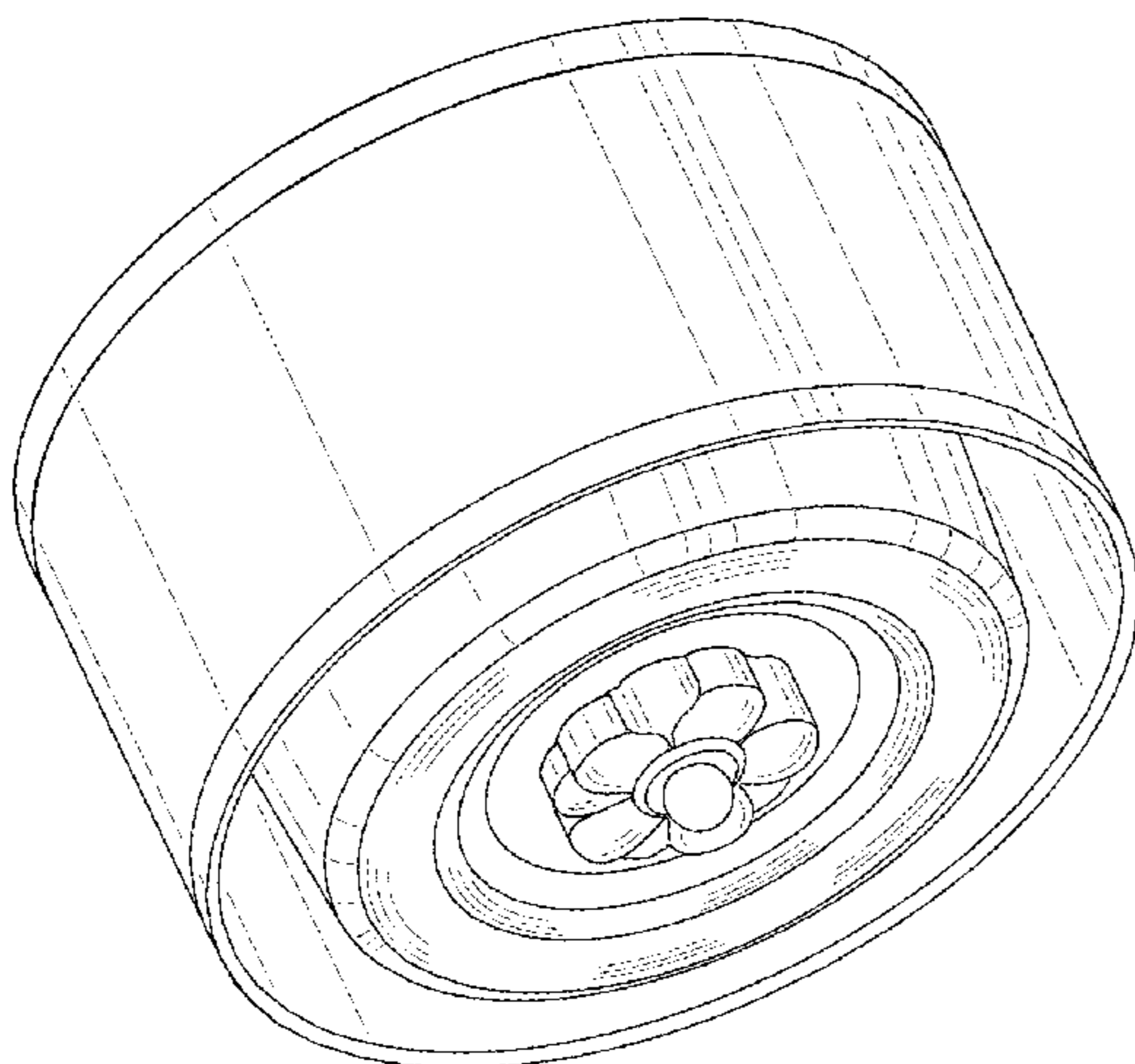
(57) **CLAIM**

The ornamental design for a ceiling fan light kit, as shown and described.

DESCRIPTION

FIG. 1 is a bottom perspective view of a light kit of a ceiling fan according to my invention;
 FIG. 2 is a bottom perspective view of the light kit of FIG. 1;
 FIG. 3 is a top perspective view of the light kit of FIG. 1;
 FIG. 4 is a top view of the light kit of FIG. 1;
 FIG. 5 is a bottom view of the light kit of FIG. 1;
 FIG. 6 is a front side view of the light kit of FIG. 1;
 FIG. 7 is a rear side view of the light kit of FIG. 1;
 FIG. 8 is a right side view of the light kit of FIG. 1; and,
 FIG. 9 is a left side view of the light kit of FIG. 1.
 The broken lines illustrate environmental structure, and portions of the ceiling fan light kit. None of the broken lines form part of the claimed design.

1 Claim, 9 Drawing Sheets



(56)

References Cited

U.S. PATENT DOCUMENTS

D638,158 S	*	5/2011	Glasbrenner	D26/59
D646,824 S	*	10/2011	Bembridge	D26/67
D664,698 S	*	7/2012	Meise	D26/72
D707,336 S		6/2014	Pan		
D710,490 S		8/2014	Shurtleff		
D759,799 S		6/2016	Wang		
D810,981 S	*	2/2018	McRoberts	D26/59
D816,204 S	*	4/2018	McRoberts	D23/377
D821,622 S	*	6/2018	Badarello	D26/59

OTHER PUBLICATIONS

<http://www.montecarlofans.com/44072/56in-Artizan—Roman-Bronze-5AZR56RB.html>, Item Specification for Monte Carlo Ceiling Fan 56" Artizan—Roman Bronaze, Accessed Mar. 8, 2016.

<http://www.craftmade.com/Craftmade-STU54PLN3-Polished-Nickel-Ceiling-Fan.HTM>, Item Specification for Craftmade—STU54PLN3—Studio 54" Ceiling Fan Blades Included in Polished Nickel with Amber Frost/Hammered, Accessed Mar. 8, 2016.

<http://www.craftmade.com/Craftmade-SI56BA5-Brushed-Aluminum-Ceiling-Fan.HTM>, Item Specification for Craftmade—SI56BA5—

Silo 56" Ceiling Fan Blades Included in Brushed Aluminum with Matte Opal Glass, Accessed Mar. 8, 2016.

<http://www.montecarlofans.com/23577/54'-Studio-Fan—Polished-Nickel-3SU54PN.html>, Item Specification for Monte Carlo 54" Studio Fan—Polished Nickel, Accessed Mar. 8, 2016.

<http://www.craftmade.com/Craftmade-PAR52ESP4-Espresso-Ceiling-Fan.HTM>, Item Specification for Craftmade—PAR52ESP4—Port Arbor 52" Ceiling Fan Blades Included in Espresso with Clear Halophane Glass, Accessed Mar. 8, 2016.

<http://ceilingfans.emerson.com/shop/en/fan/fans-s-emerson-fans/emerson-fans-browse-all/loft-fan-p-ct765>, Item Specification for Emerson Loft Ceiling Fan, Accessed Mar. 8, 2016.

Monte Carlo 3KNR52CHD/ABS Ceiling Fans Ken, date first available Jan. 27, 2014, site visited Aug. 30, 2017, https://www.amazon.com/Monte-Carlo-3KNR52CHD-ABS-Ceiling/dp/BOOI2VZLC6/ref=sr_1_1?e=UTF8&qid=1504123478&sr=8-1&keywords=monte+carlo+ken+ceiling+fan.

Hunter 59039 Windemere 54 in. Indoor Ceiling Fan with Light and Remote, date first available Aug. 7, 2013, site visited Aug. 30, 2017, https://www.amazon.com/Hunter-59039-Windemere-1-ndoor-Ceiling/dp/BOOED7X8GE/ref=sr_1_1?s=hi&ie=UTF8&qid=1504125357&sr=1-1-spons&keywords=hunter+windemere&psc=1.

* cited by examiner

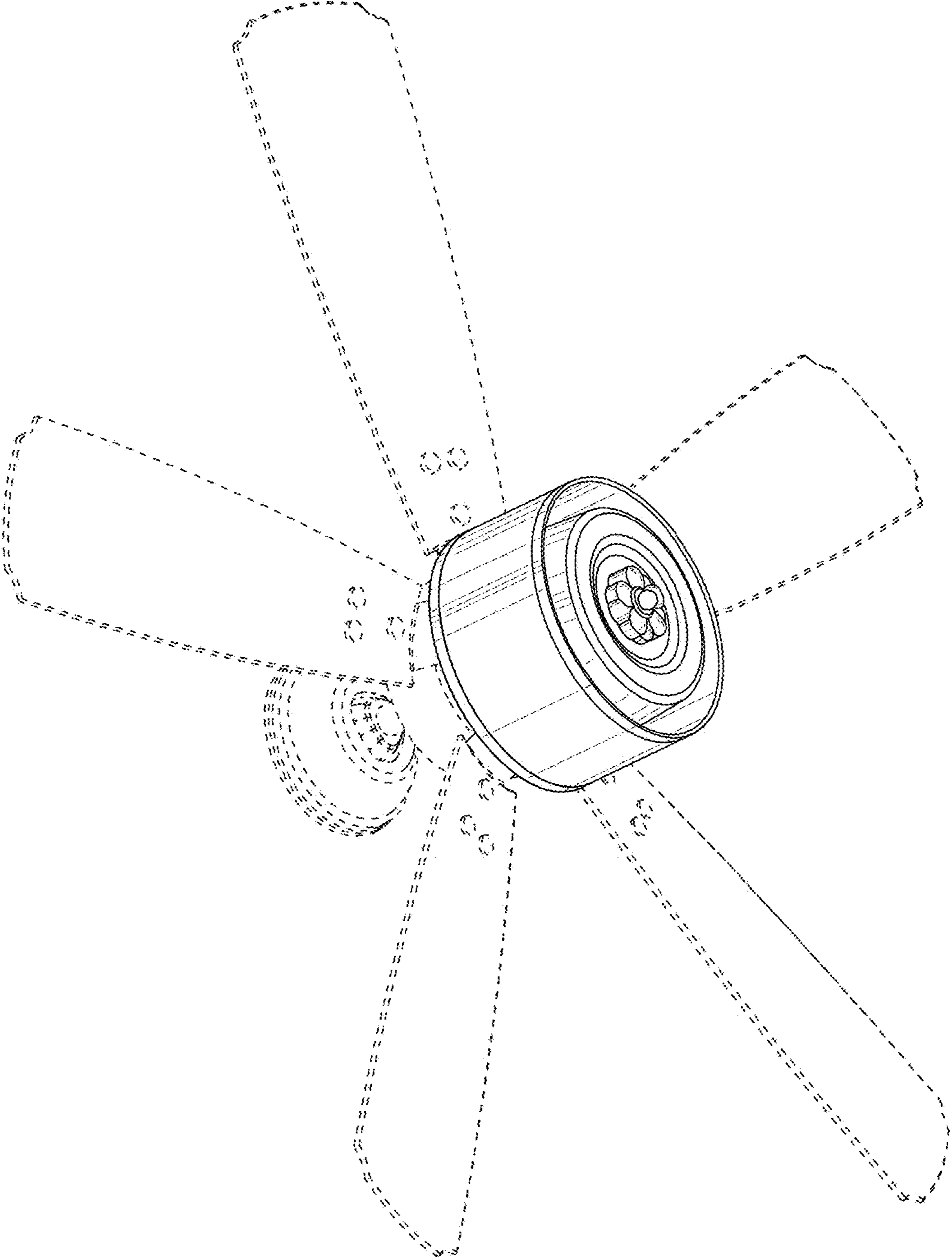


FIG. 1

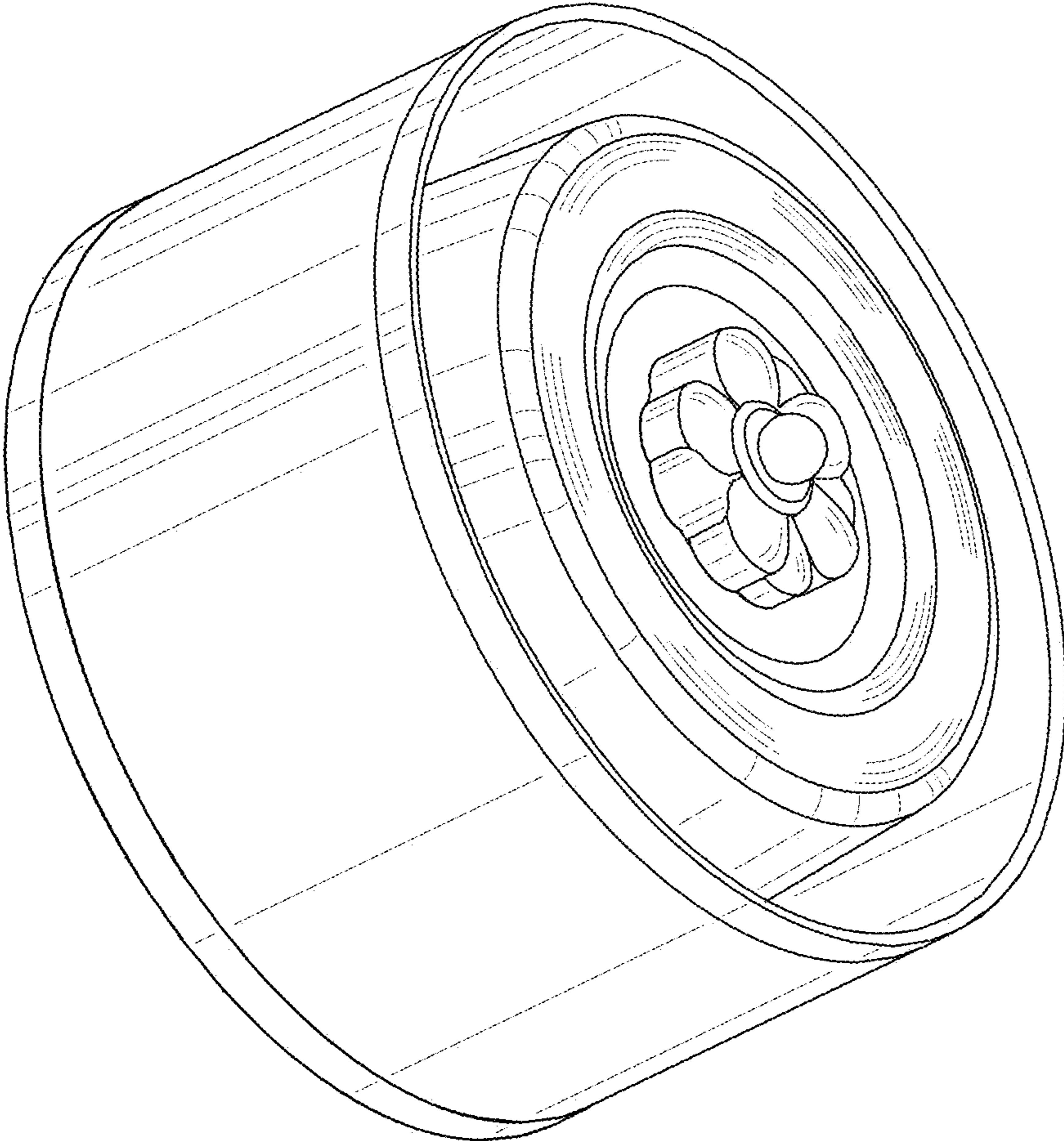


FIG. 2

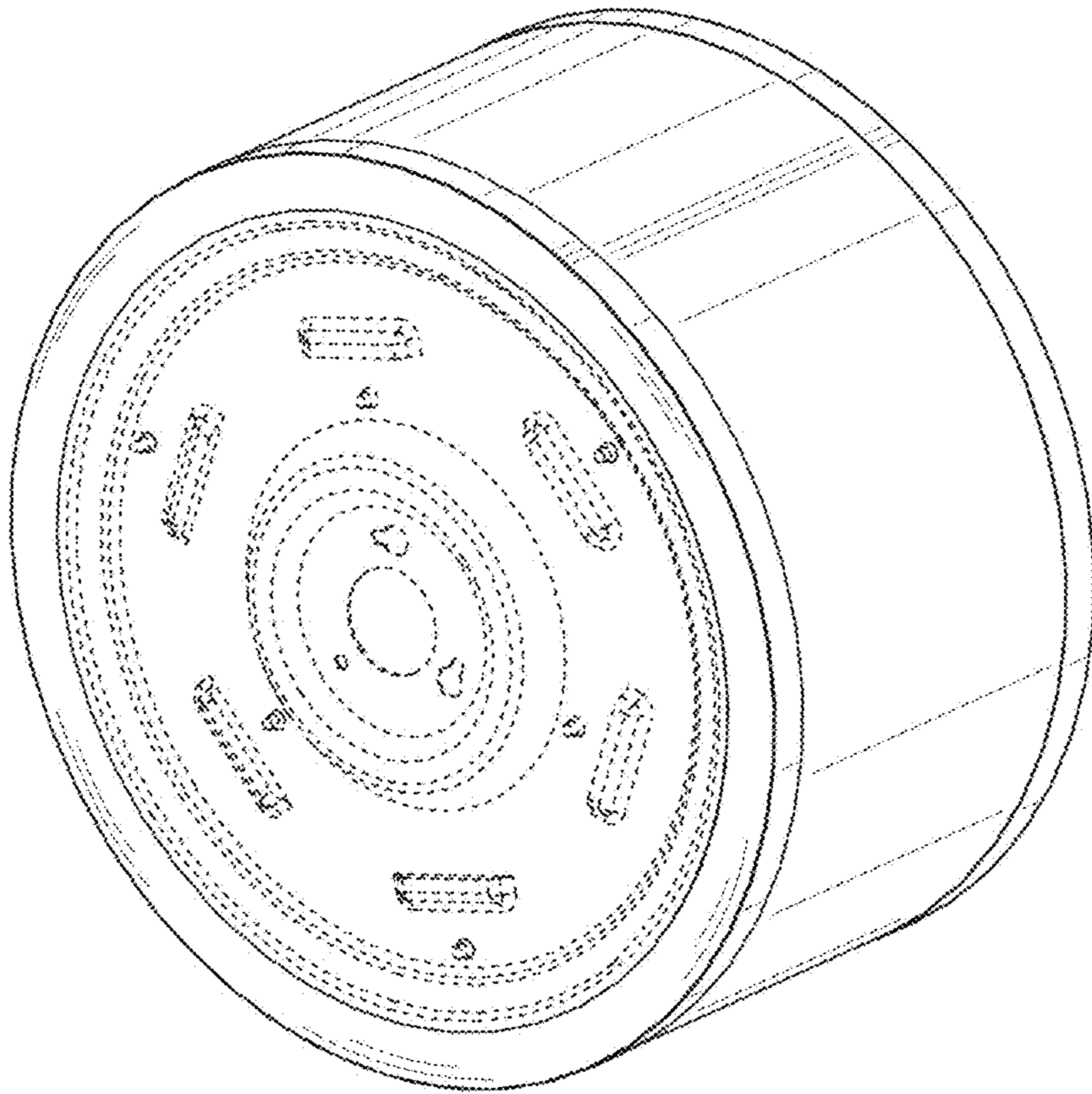


FIG. 3

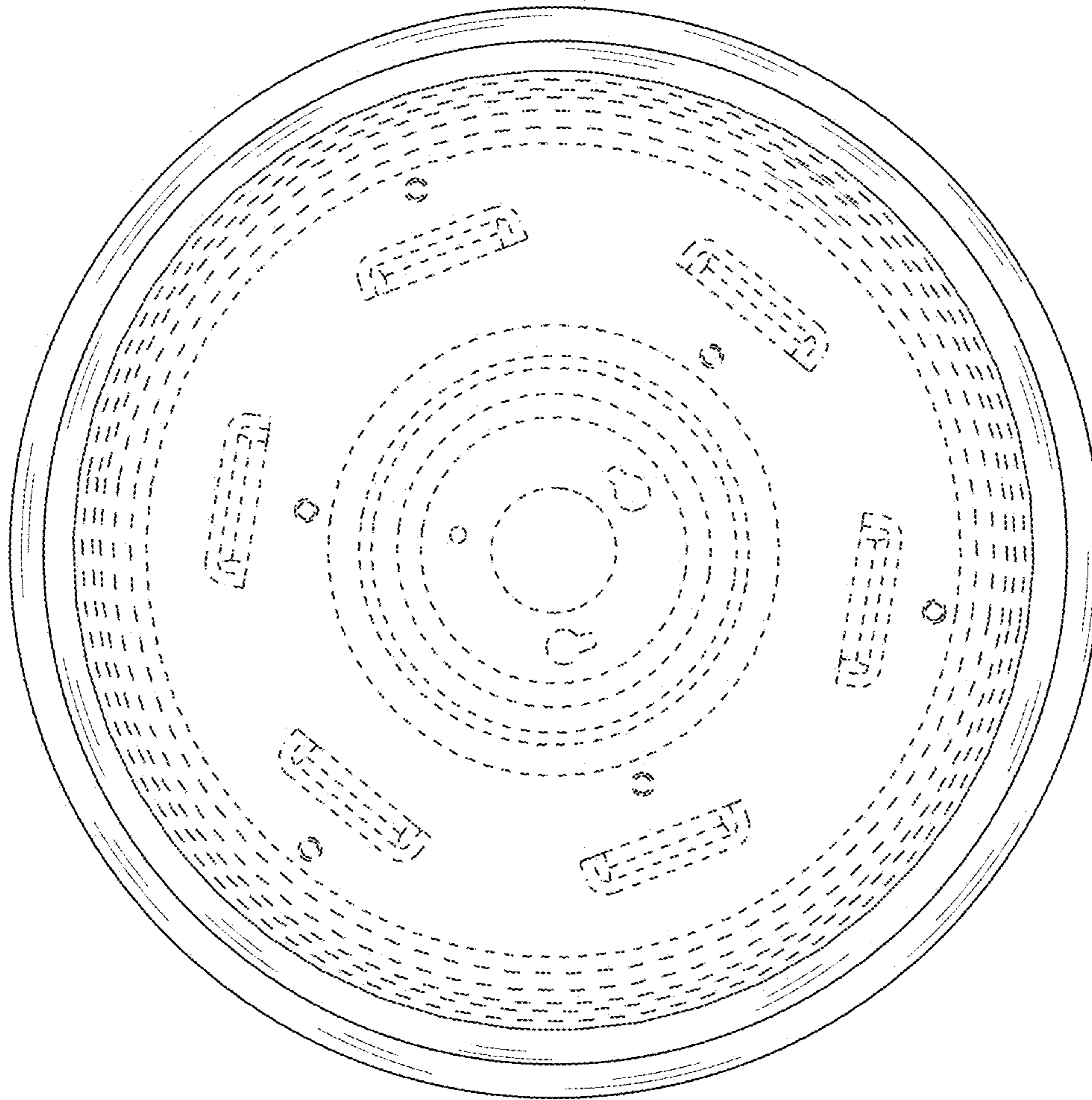


FIG. 4

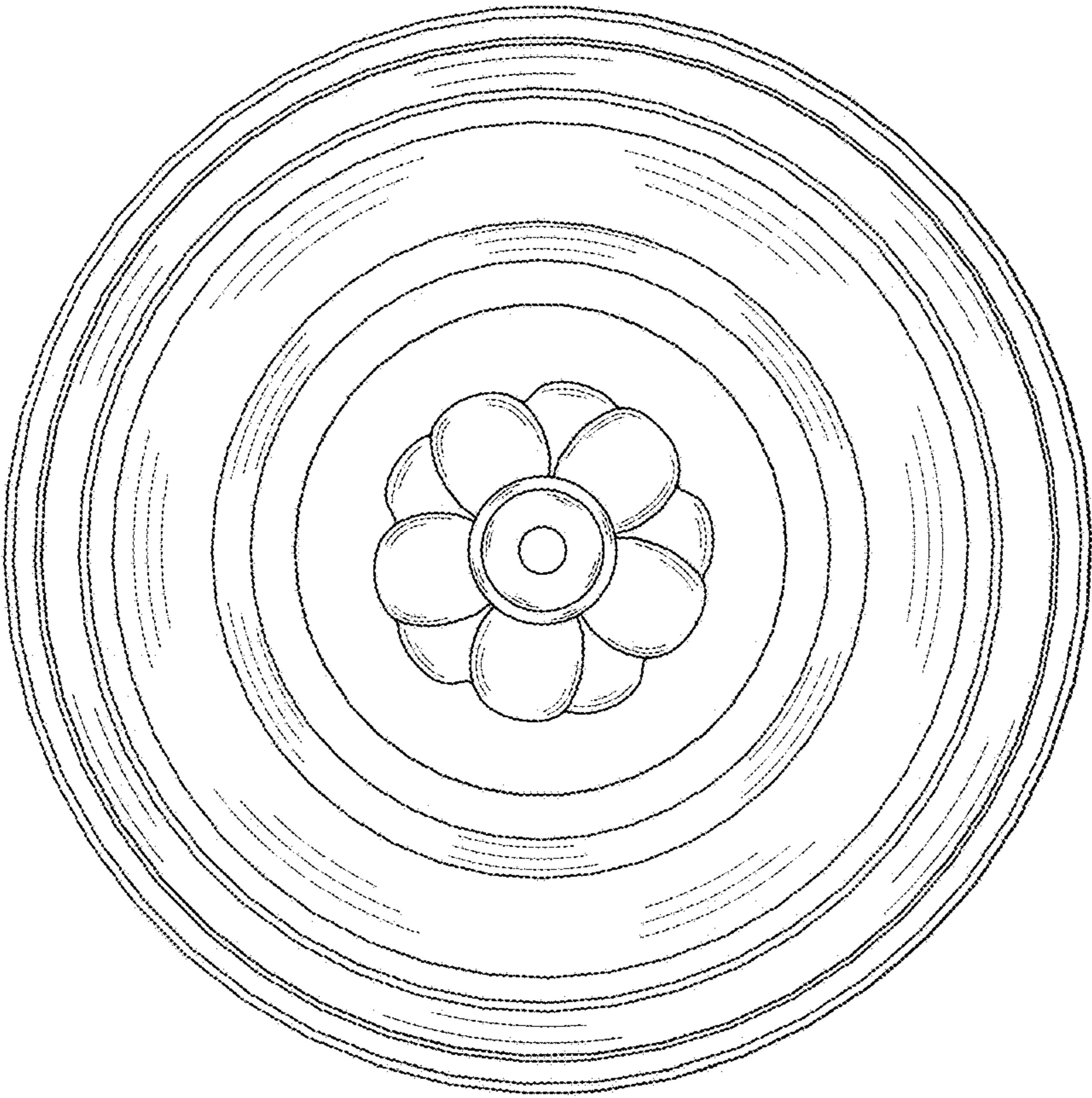


FIG. 5

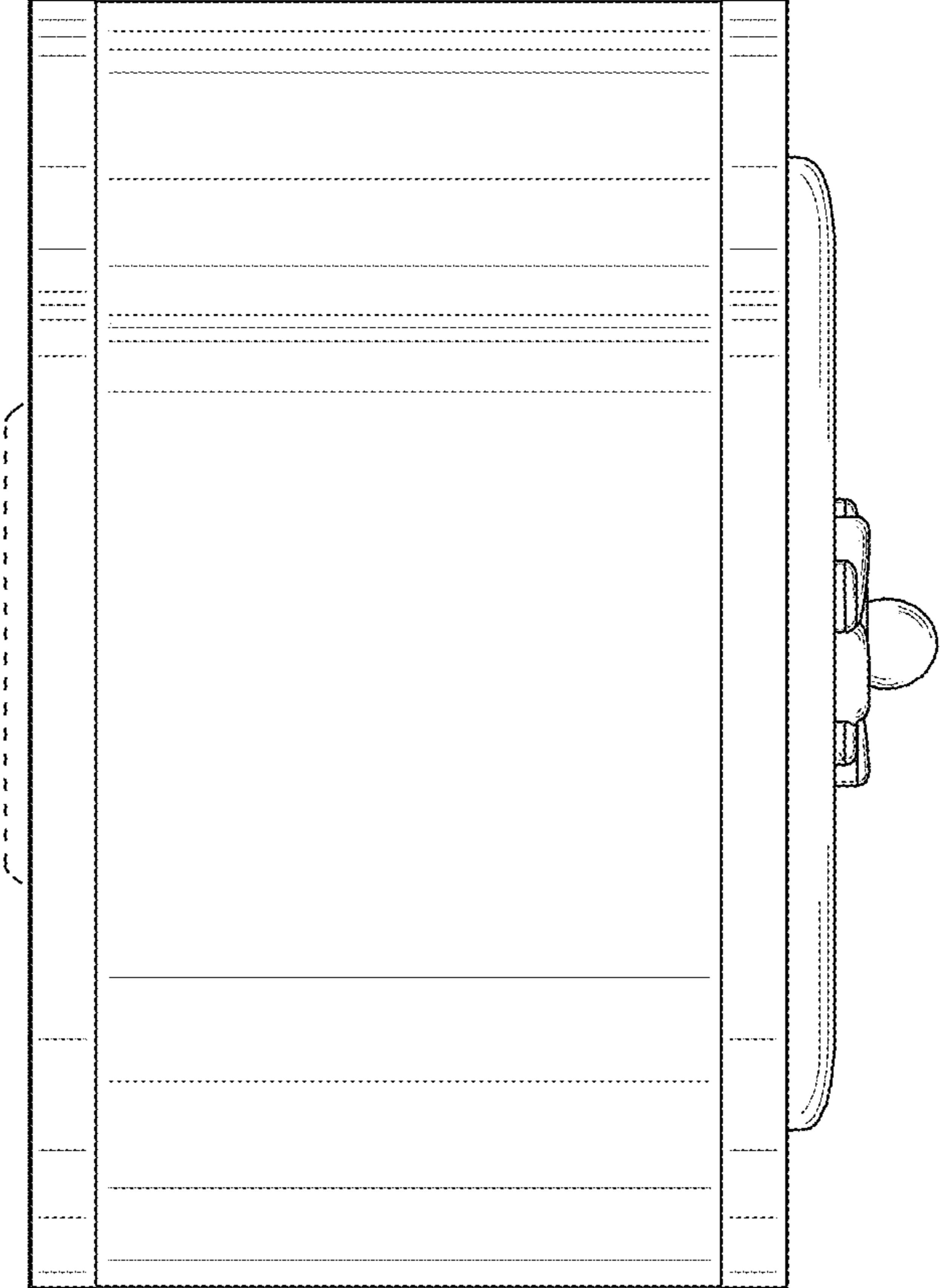


FIG. 6

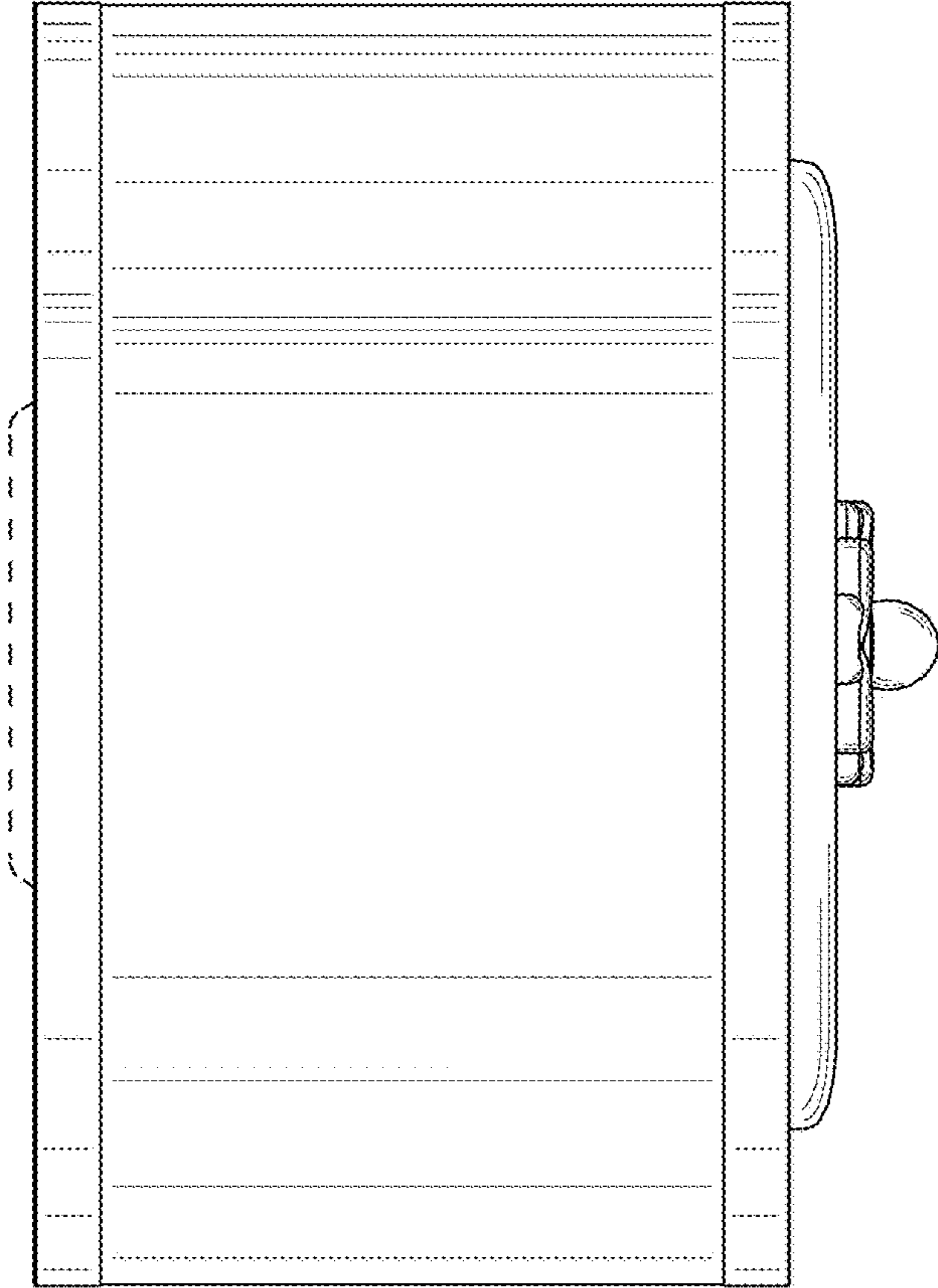


FIG. 7

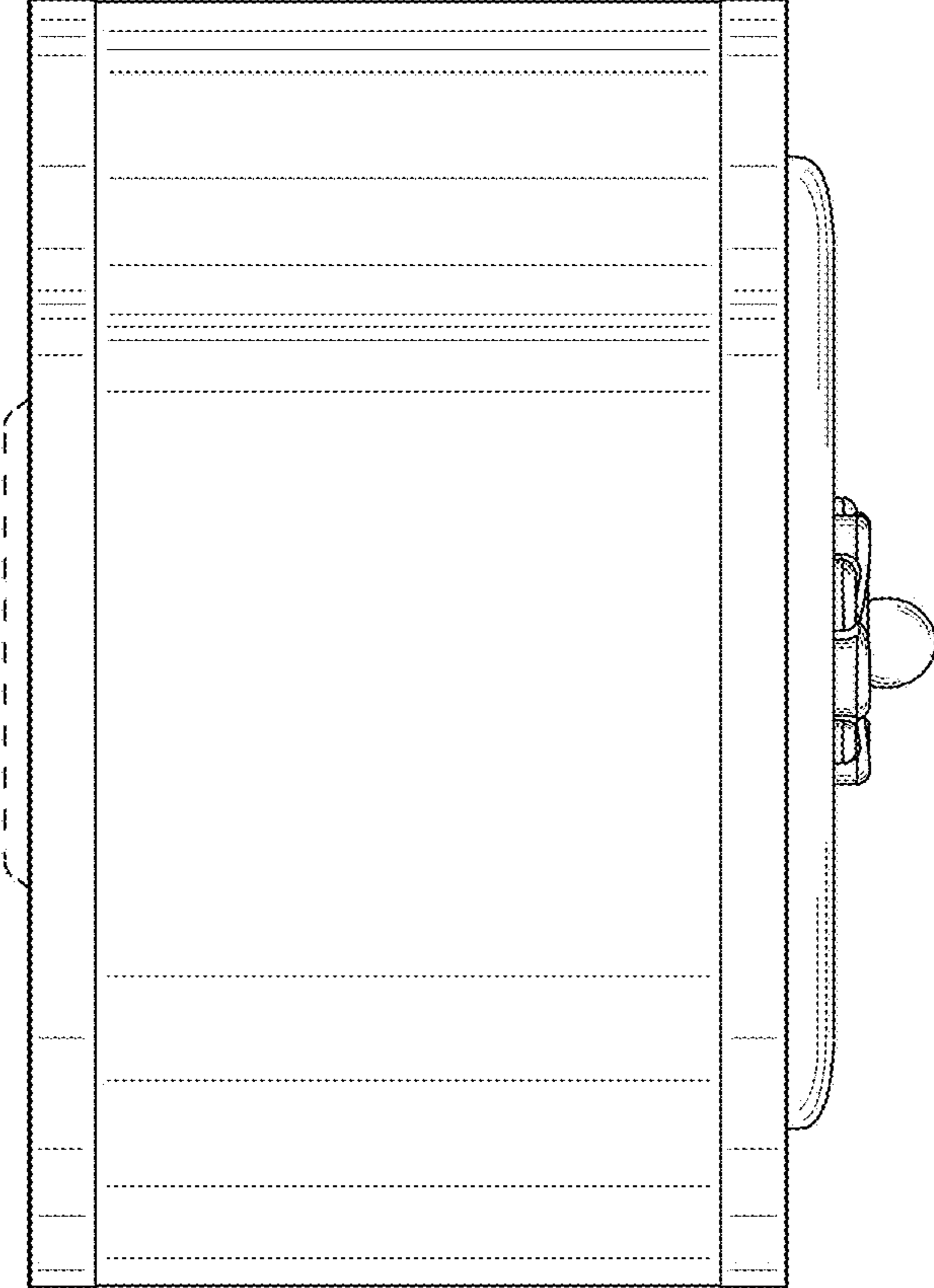


FIG. 8

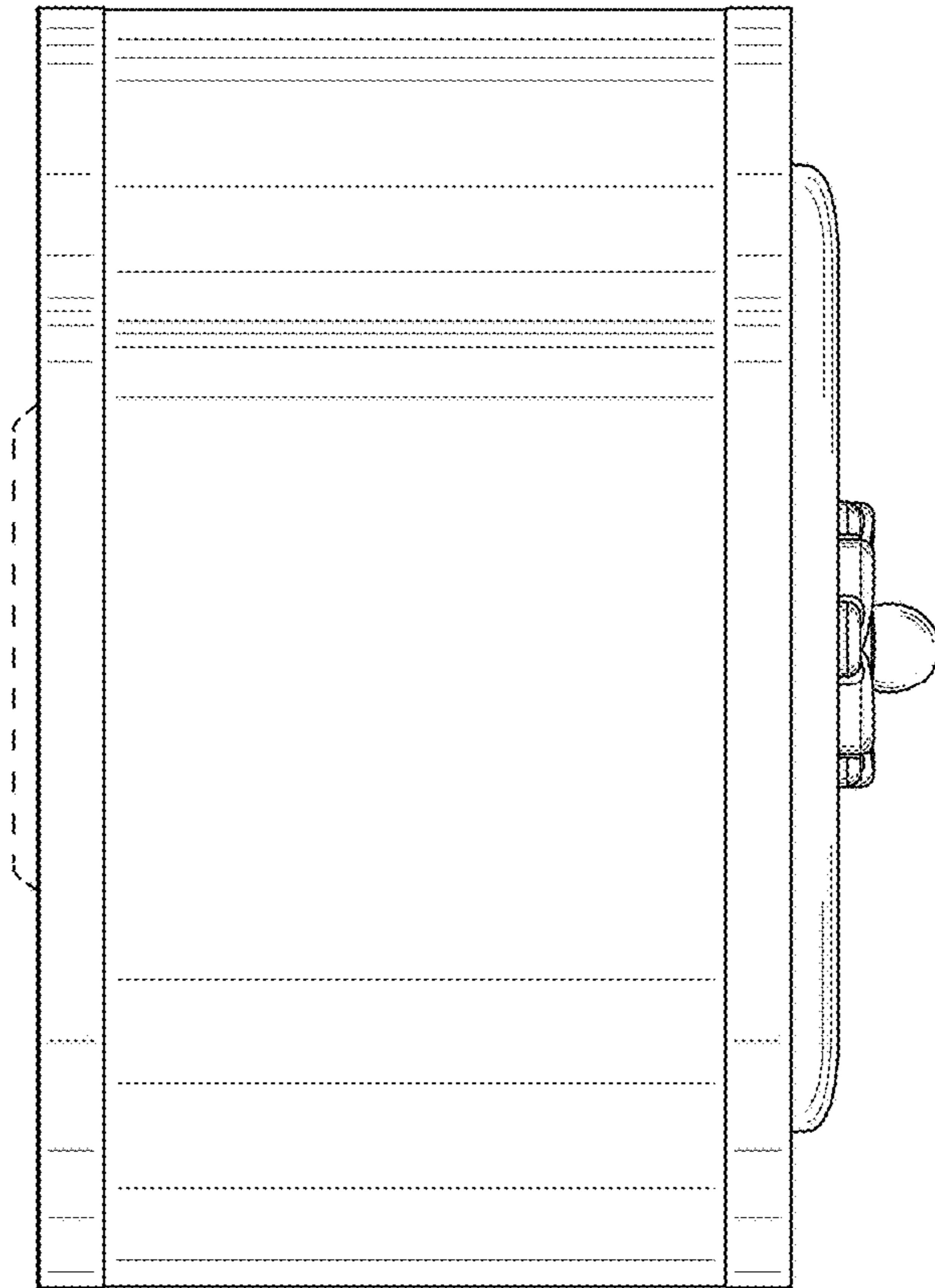


FIG. 9