



US00D846169S

(12) **United States Design Patent** (10) **Patent No.:** **US D846,169 S**
Inskeep et al. (45) **Date of Patent:** **** Apr. 16, 2019**

(54) **FLASHLIGHT**
(71) Applicants: **Mathew Inskeep**, Highland Beach, FL
(US); **Ling To Shum**, Boca Raton, FL
(US)
(72) Inventors: **Mathew Inskeep**, Highland Beach, FL
(US); **Ling To Shum**, Boca Raton, FL
(US)

D716,984 S * 11/2014 Inskeep D26/49
D745,200 S * 12/2015 Inskeep D26/49
D745,987 S * 12/2015 Nawaz D22/117
D774,229 S * 12/2016 Prieto D26/49
D786,466 S * 5/2017 Prieto D26/49
D794,857 S * 8/2017 Sharrah D26/49
D797,336 S * 9/2017 Inskeep D26/49
D803,445 S * 11/2017 Inskeep D26/49
D810,337 S * 2/2018 Eichelberger D26/49

* cited by examiner

(**) Term: **15 Years**
(21) Appl. No.: **29/628,730**

Primary Examiner — Karen E Kearney
Assistant Examiner — Carissa C Fitts

(22) Filed: **Dec. 7, 2017**
(51) **LOC (11) Cl.** **26-02**
(52) **U.S. Cl.**
USPC **D26/49**

(57) **CLAIM**

We claim the ornamental design for a flashlight, as shown and described.

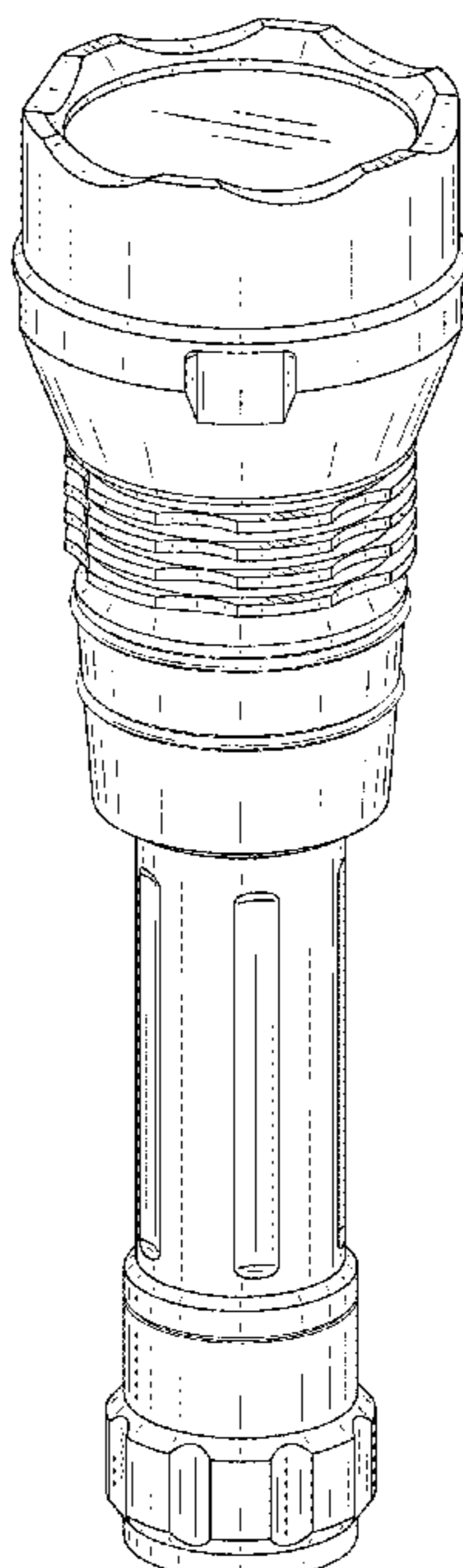
(58) **Field of Classification Search**
USPC D26/37-51
CPC F21L 2003/00; F21L 4/00; F21L 4/005;
F21L 4/02; F21L 4/025; F21L 4/027;
F21L 4/04; F21L 4/08; F21L 2005/00;
F21L 7/00; F21L 11/00; F21L 13/00;
F21L 13/04; F21L 13/08; F21L 14/02;
F21L 17/00; F21L 19/00; F21L 25/00
See application file for complete search history.

DESCRIPTION

FIG. 1 is a top perspective view of the flashlight showing my new design.
FIG. 2 is a bottom perspective view thereof.
FIG. 3 is a top view thereof.
FIG. 4 is a bottom view thereof.
FIG. 5 is back view thereof.
FIG. 6 is a back view with the body unsheathed.
FIG. 7 is a front view thereof.
FIG. 8 is a front view with the body unsheathed, exposing the power source.
FIG. 9 is a top perspective view with the body unsheathed; and,
FIG. 10 is a bottom perspective view with the body unsheathed, exposing the power source.

(56) **References Cited**
U.S. PATENT DOCUMENTS
D641,901 S * 7/2011 Opolka D26/49
D698,961 S * 2/2014 Dalton D26/49
D709,232 S * 7/2014 Inskeep D26/49
D709,233 S * 7/2014 Inskeep D26/49
D709,234 S * 7/2014 Inskeep D26/49
D710,526 S * 8/2014 Lee D26/49

1 Claim, 5 Drawing Sheets



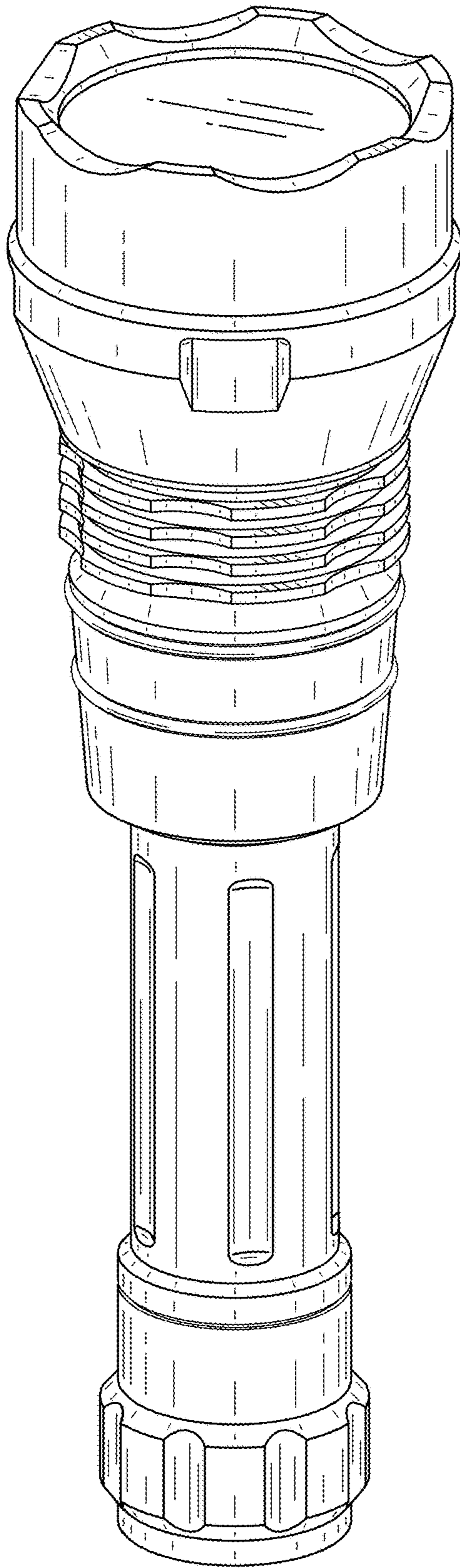


FIG. 1

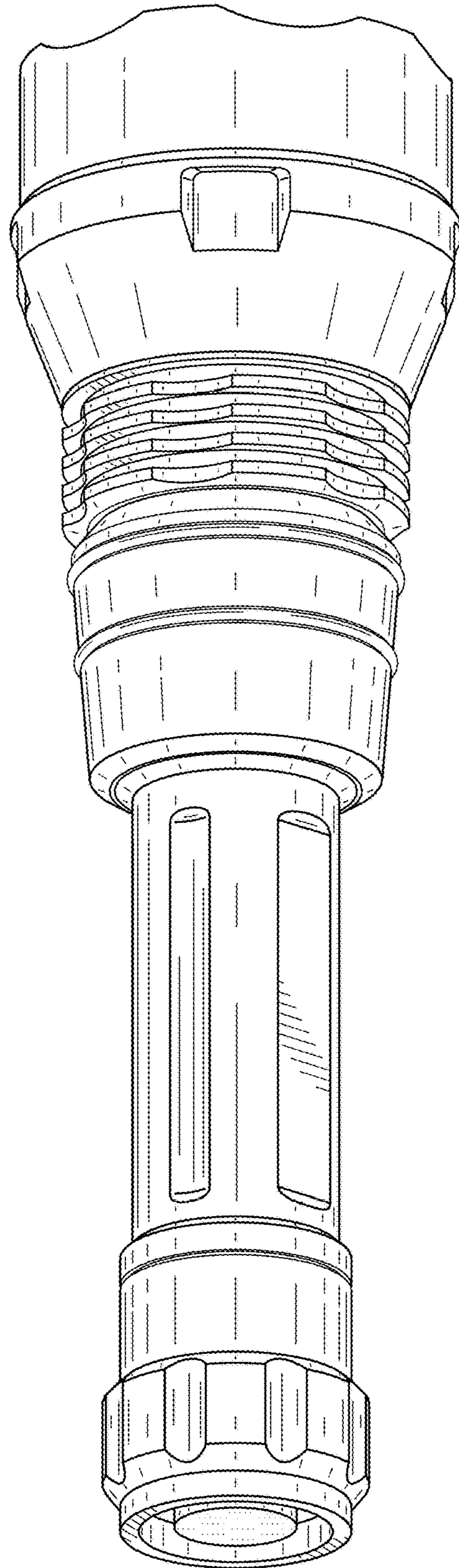


FIG. 2

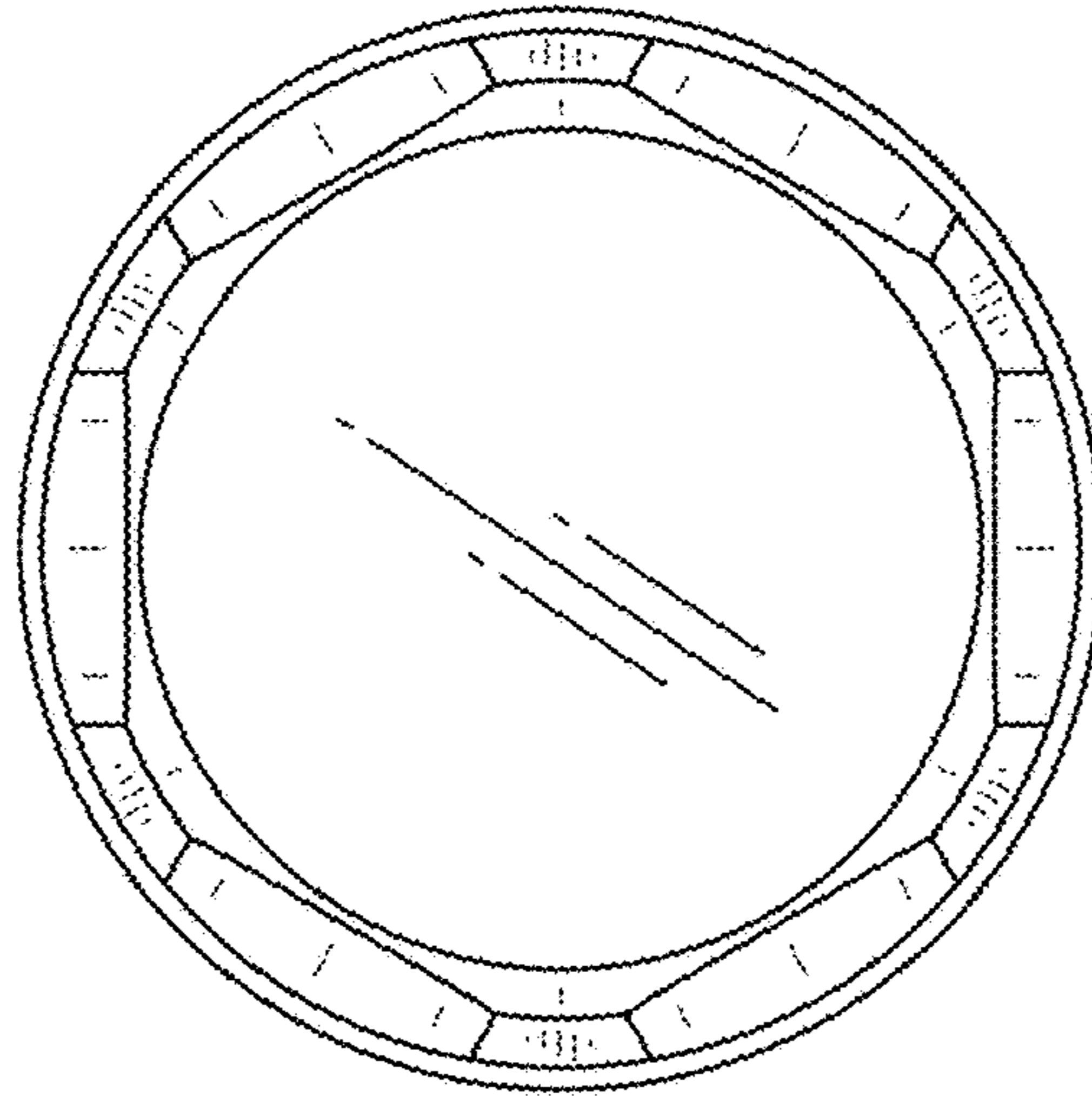


FIG. 3

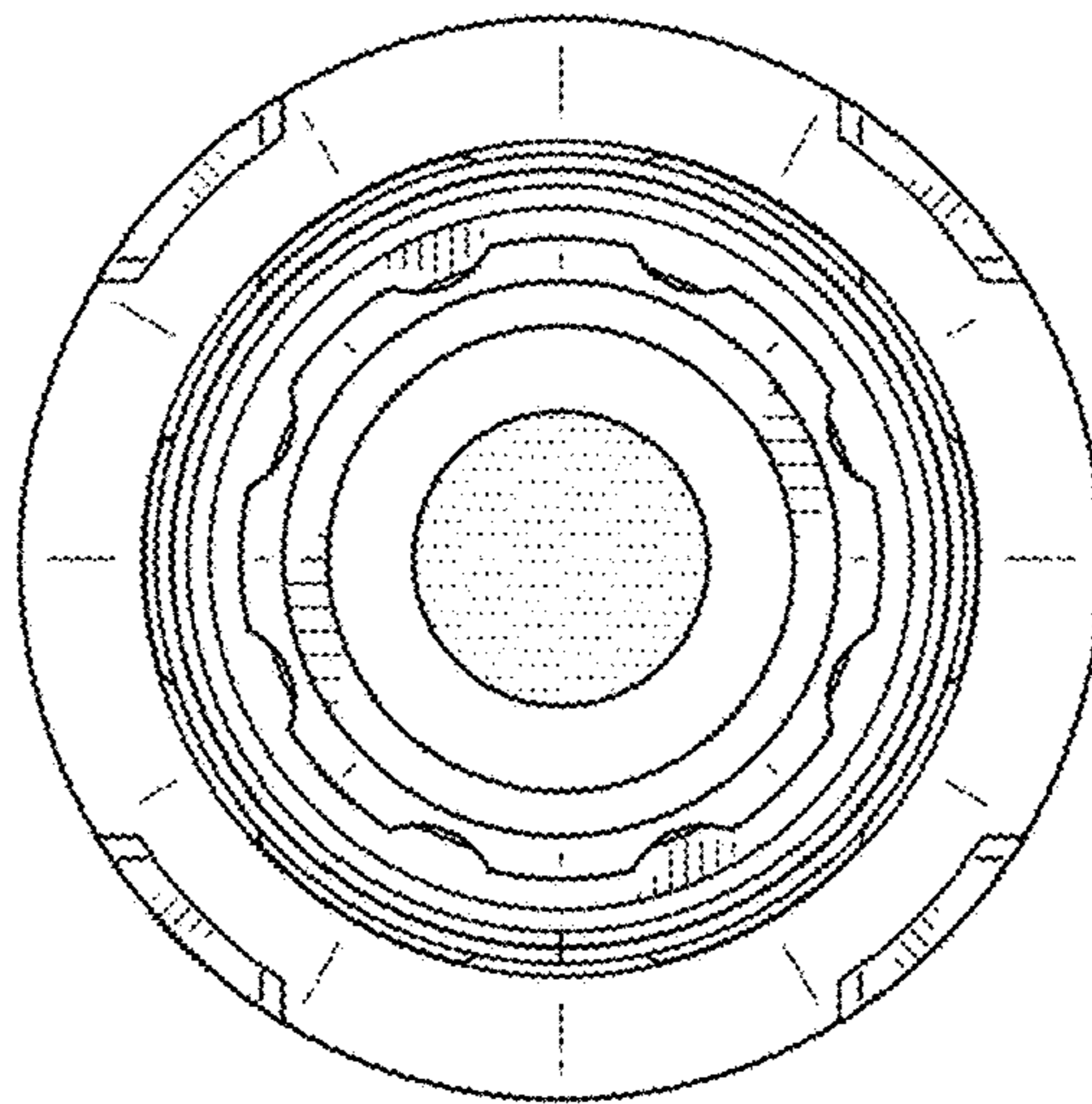


FIG. 4

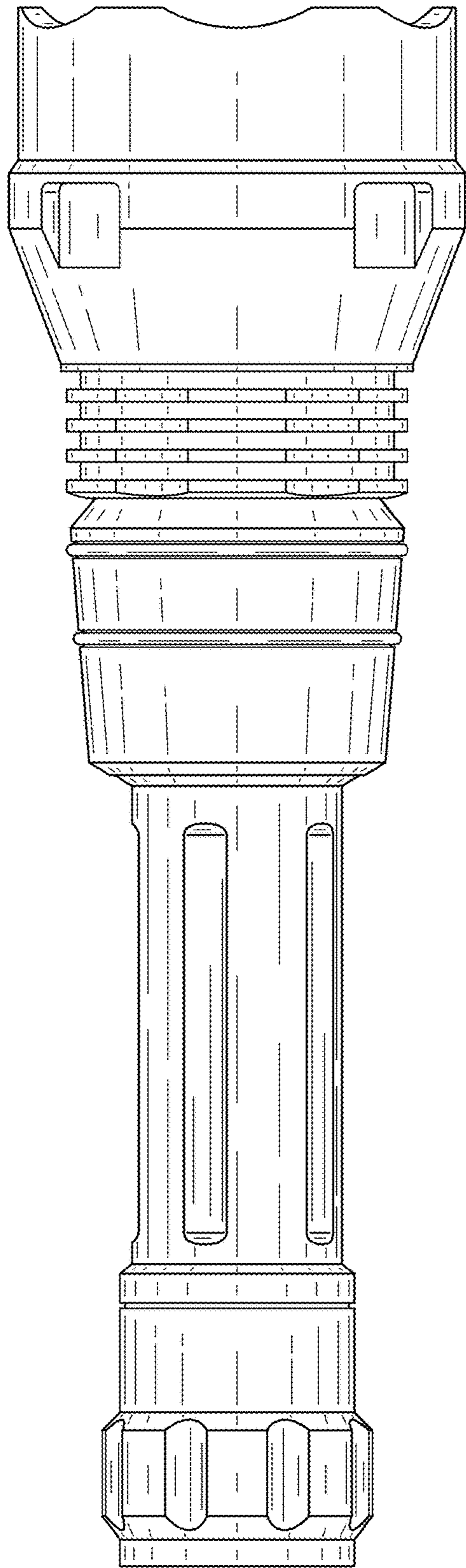


FIG. 5

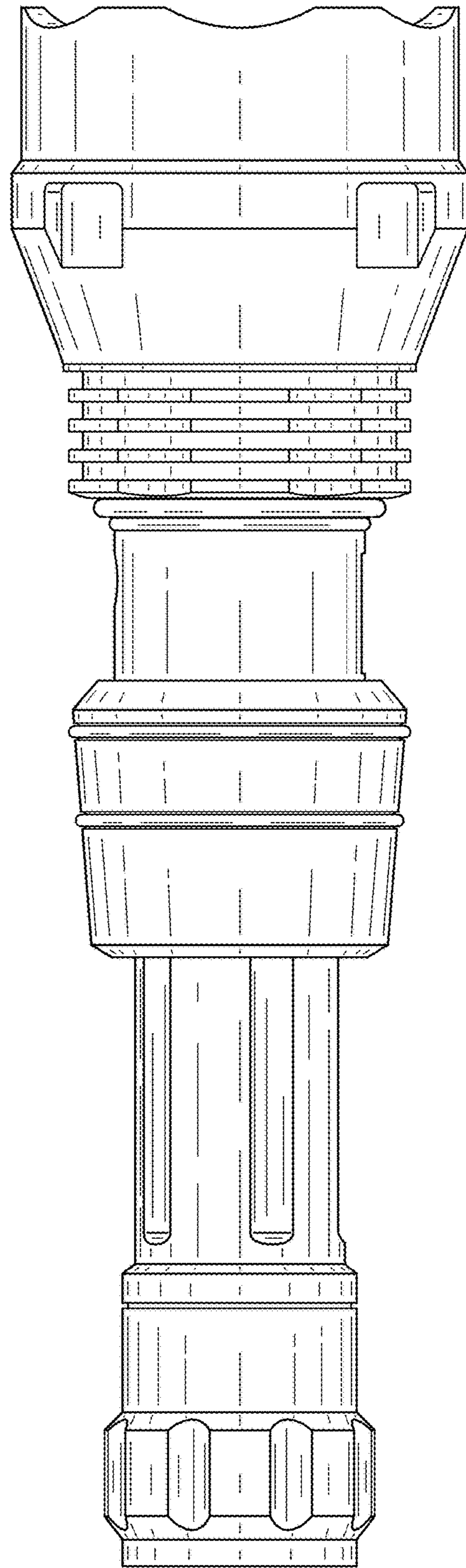


FIG. 6

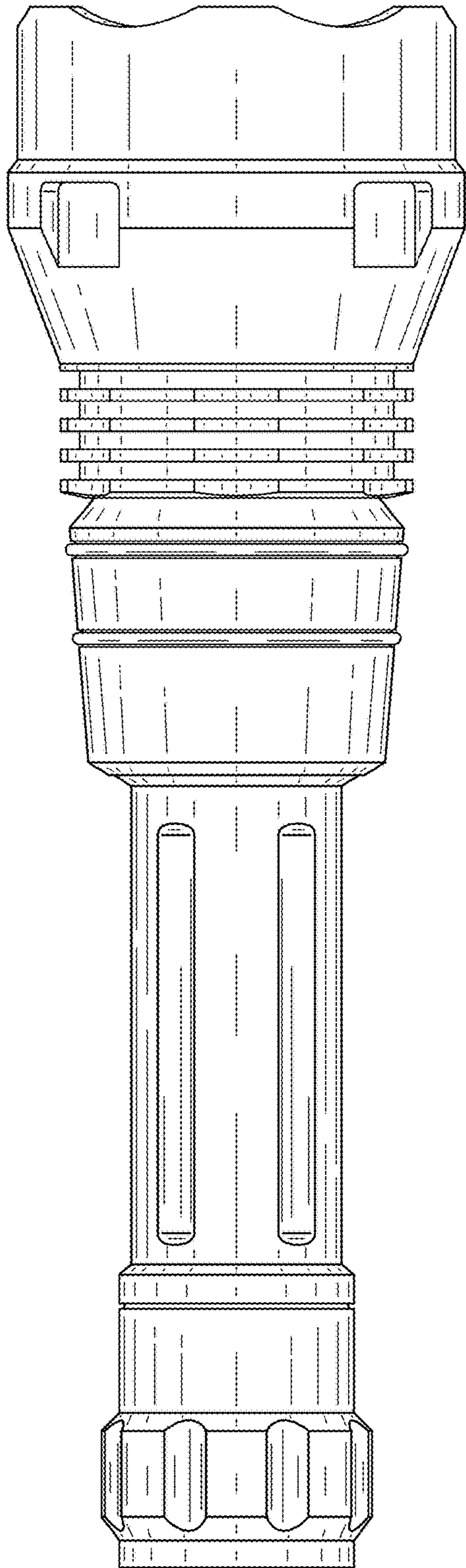


FIG. 7

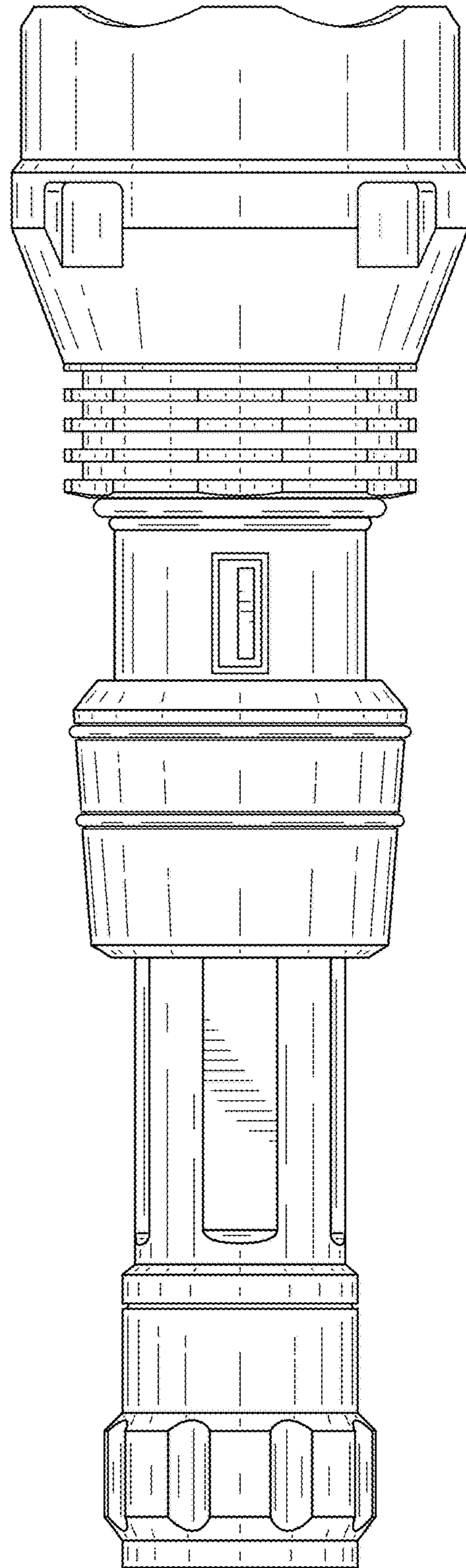


FIG. 8

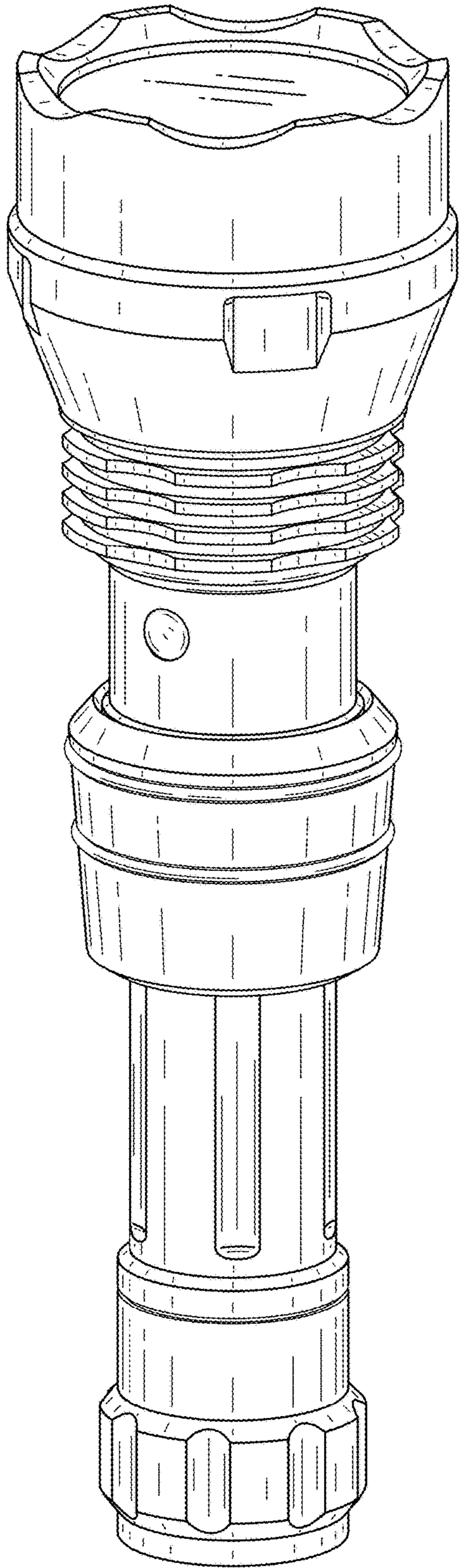


FIG. 9

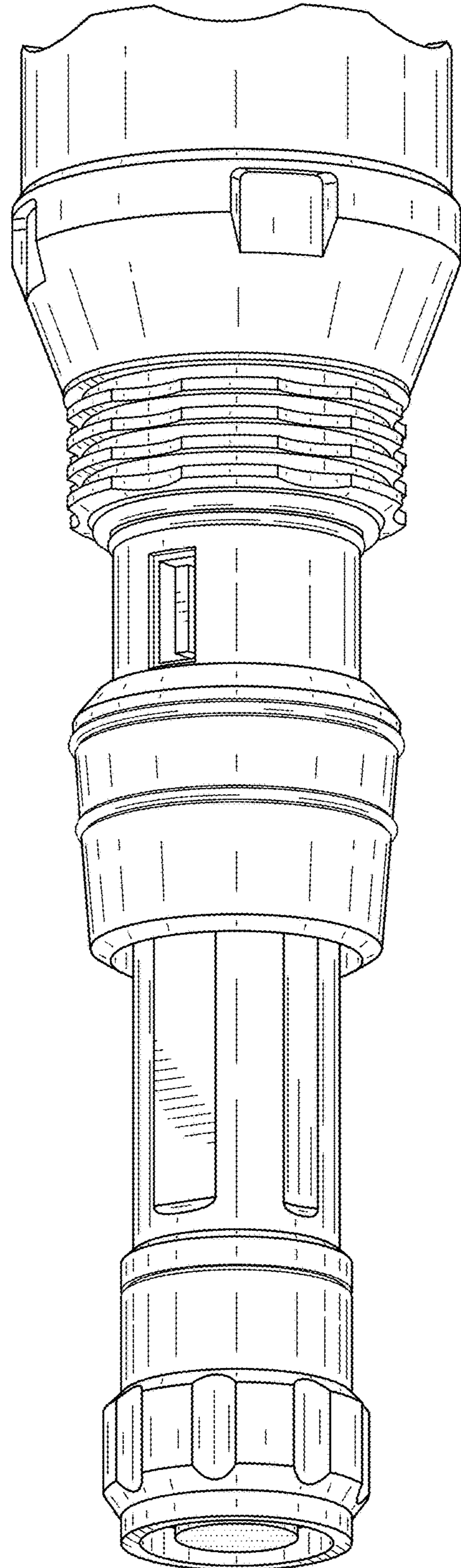


FIG. 10