

US00D846168S

(12) **United States Design Patent** (10) **Patent No.:** **US D846,168 S**
Badici (45) **Date of Patent:** **** Apr. 16, 2019**

(54) **COLLAPSIBLE LANTERN**

(71) Applicant: **Ali Badici**, London (GB)

(72) Inventor: **Ali Badici**, London (GB)

(73) Assignee: **Divine LEDs Limited**, Hong Kong (CN)

(**) Term: **15 Years**

(21) Appl. No.: **29/575,177**

(22) Filed: **Aug. 23, 2016**

(51) **LOC (11) Cl.** **26-02**

(52) **U.S. Cl.**
USPC **D26/40**

(58) **Field of Classification Search**
USPC D26/37, 40, 41, 38, 51
CPC F21L 2003/00; F21L 4/00; F21L 4/005;
F21L 4/02; F21L 4/025; F21L 4/027;
F21L 4/04; F21L 4/08; F21L 2005/00;
F21L 7/00; F21L 11/00; F21L 13/00;
F21L 13/04; F21L 13/08; F21L 14/02;
F21L 17/00; F21L 19/00

See application file for complete search history.

(56) **References Cited**

U.S. PATENT DOCUMENTS

D483,892 S * 12/2003 Poon D26/40
D611,630 S * 3/2010 Chan D26/40
D674,945 S * 1/2013 Bertken D26/40
D725,300 S * 3/2015 Dalton D26/40

D726,358 S * 4/2015 Young D26/40
D747,022 S * 1/2016 Leung D26/40
D747,523 S * 1/2016 Salmon D26/40
D754,379 S * 4/2016 Green D26/113
D790,098 S * 6/2017 Esarey D26/40
D794,235 S * 8/2017 Green D26/40

* cited by examiner

Primary Examiner — Lakiya G Rogers

Assistant Examiner — Carissa C Fitts

(74) *Attorney, Agent, or Firm* — Dunlap Bennett & Ludwig PLLC

(57) **CLAIM**

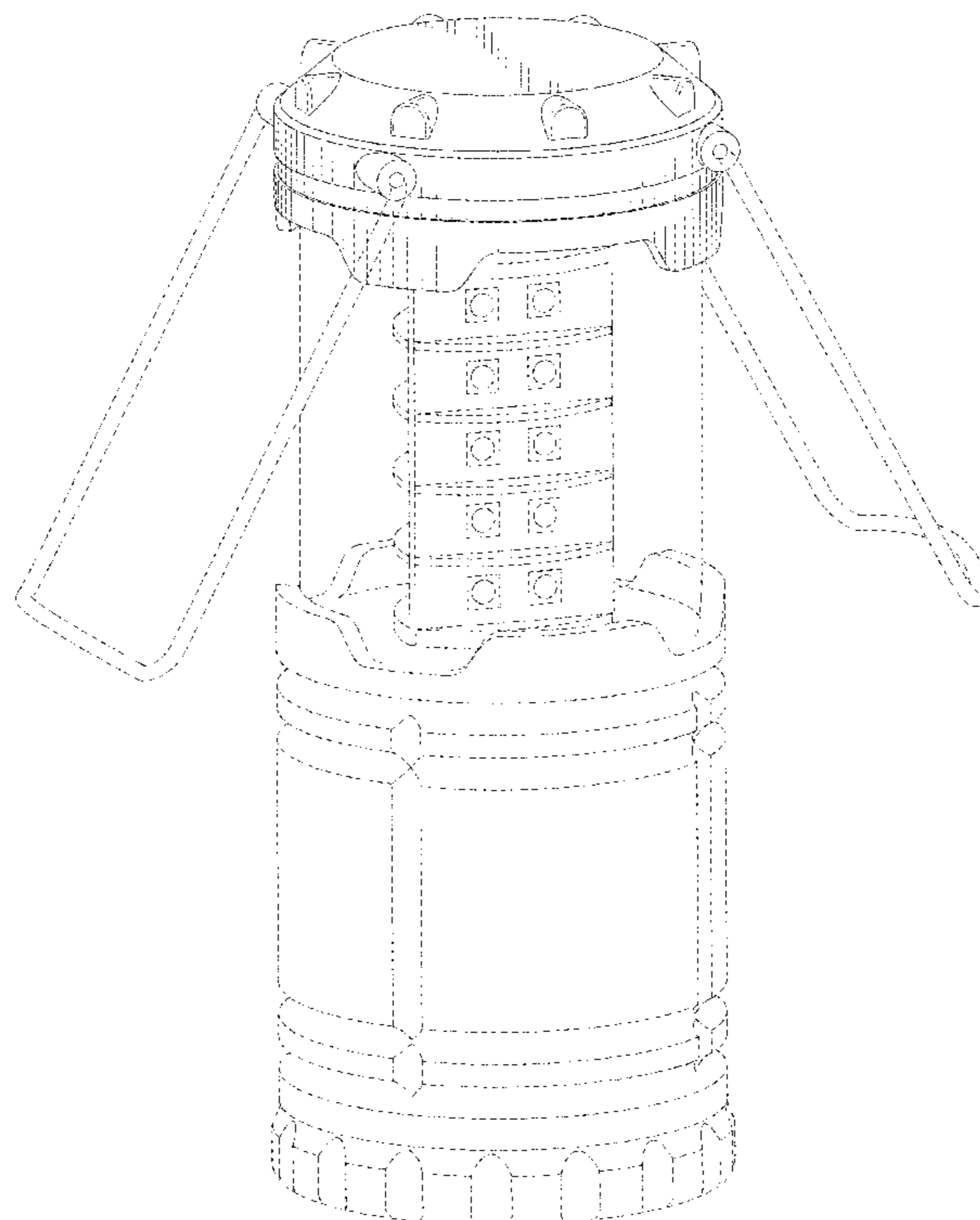
The ornamental design for a collapsible lantern, as shown and described.

DESCRIPTION

FIG. 1 is a perspective view of a collapsible lantern, showing my new design;
FIG. 2 is a front elevation view of FIG. 1, the rear elevation view being a mirror image thereof;
FIG. 3 is a left side elevation view of FIG. 1, the right side elevation view being a mirror image thereof;
FIG. 4 is a bottom plan view of FIG. 1;
FIG. 5 is a top plan view of FIG. 1; and,
FIG. 6 is a perspective view of FIG. 1, shown in a collapsed condition.

The broken lines shown in the drawings depict portions of the collapsible lantern that form no part of the claimed design.

1 Claim, 5 Drawing Sheets



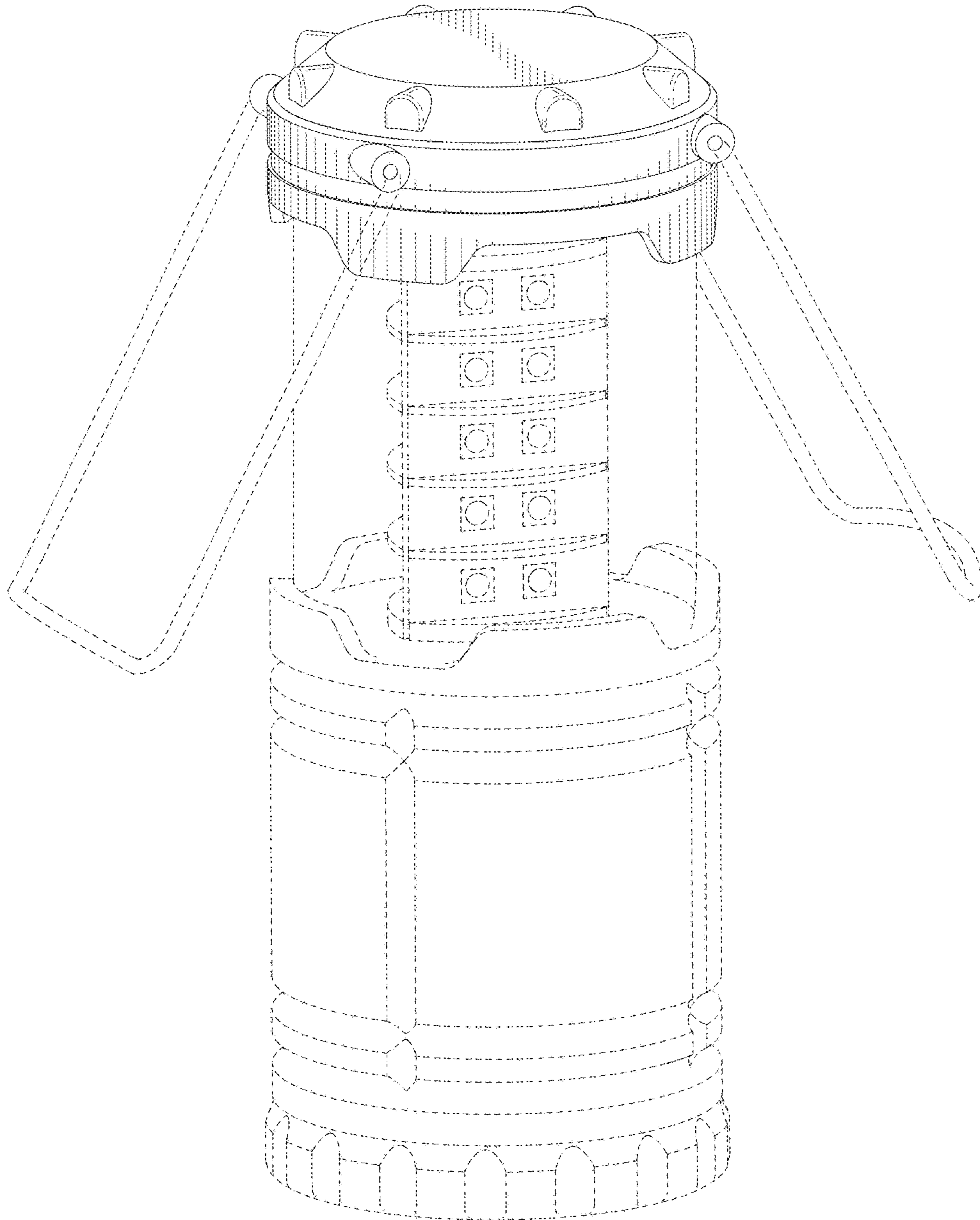


FIG. 1

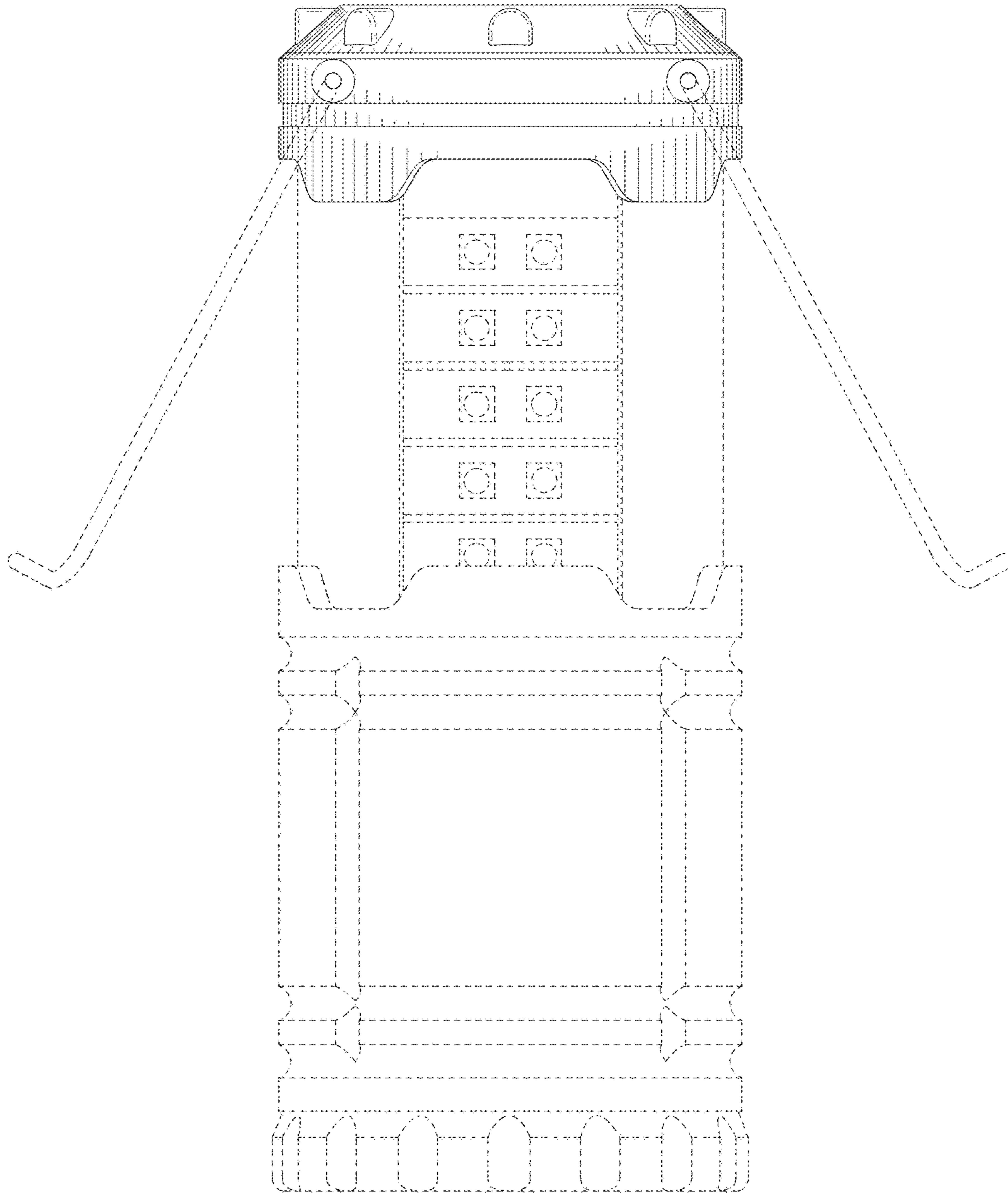


FIG.2

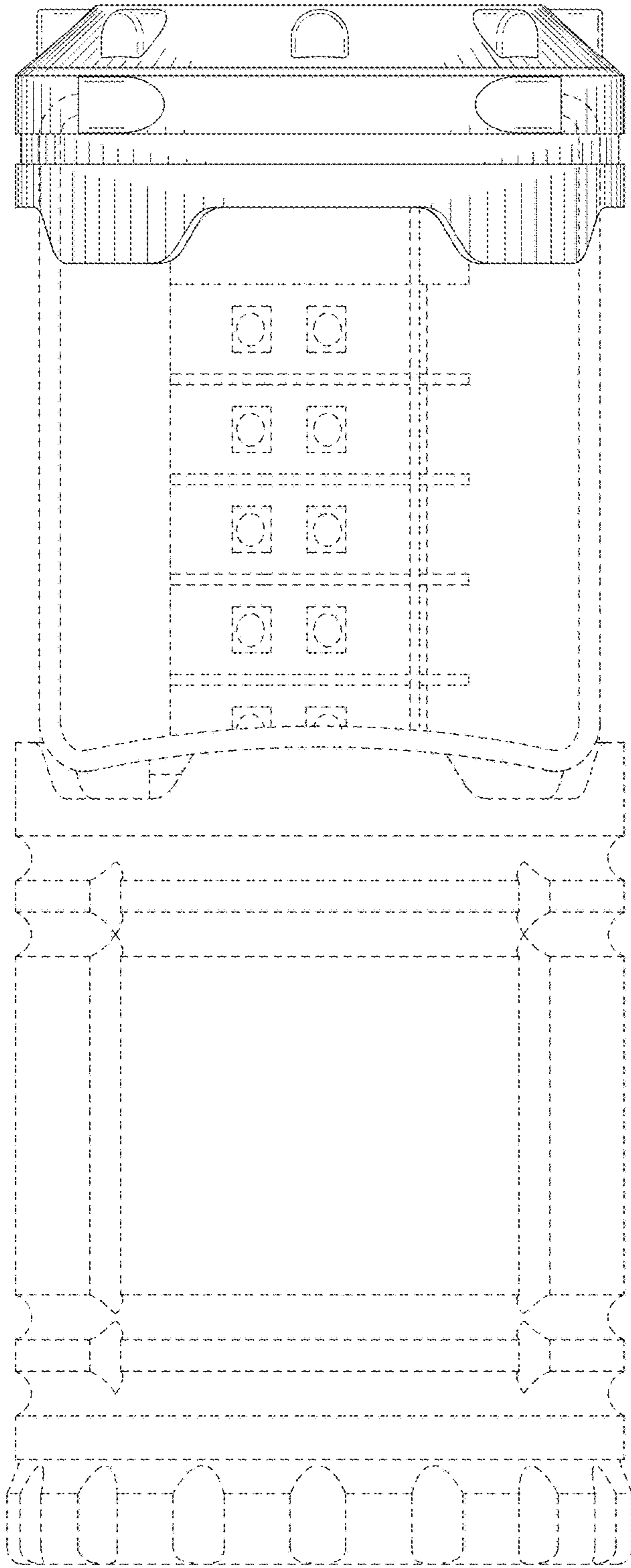


FIG. 3

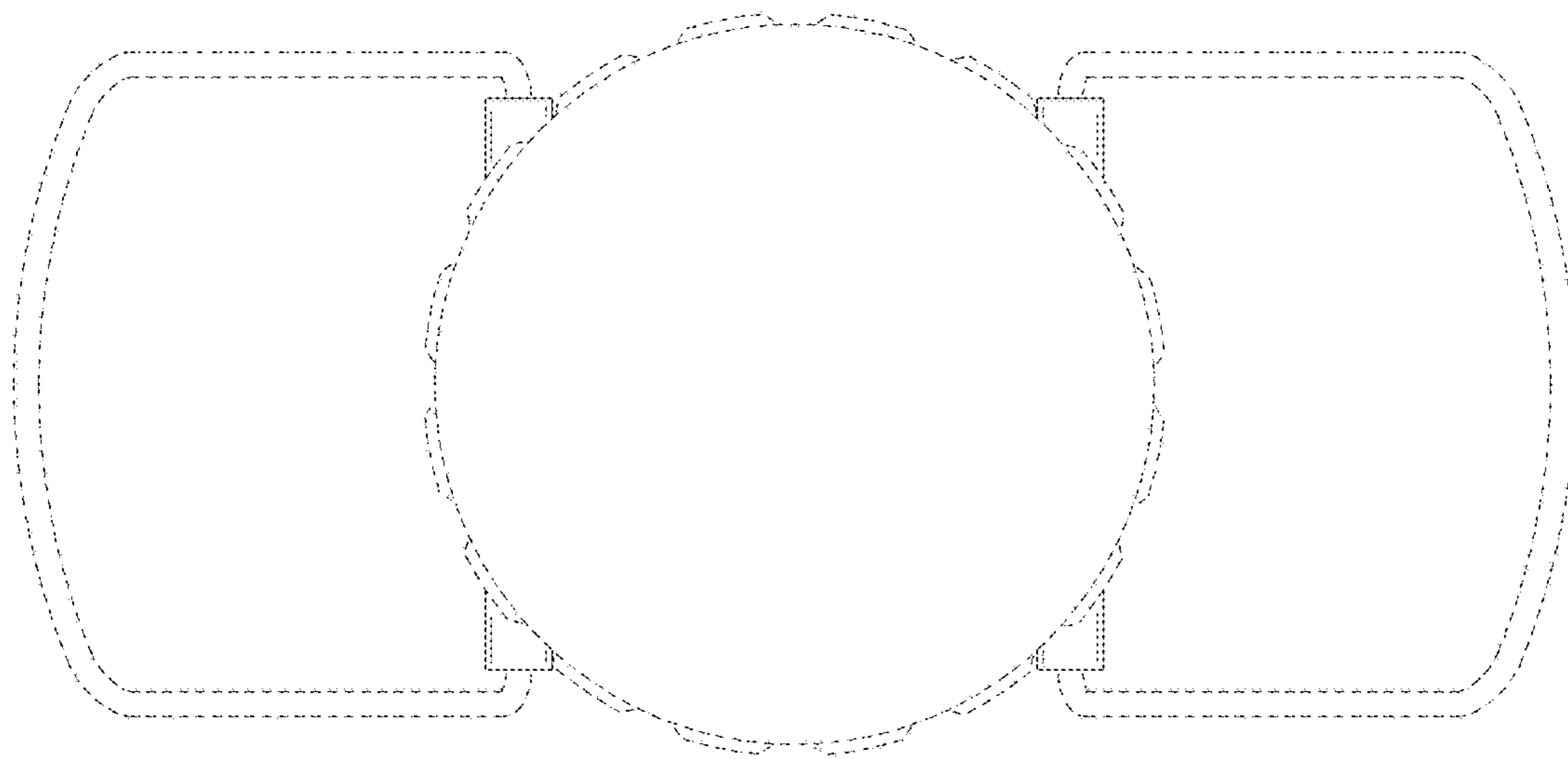


FIG. 4

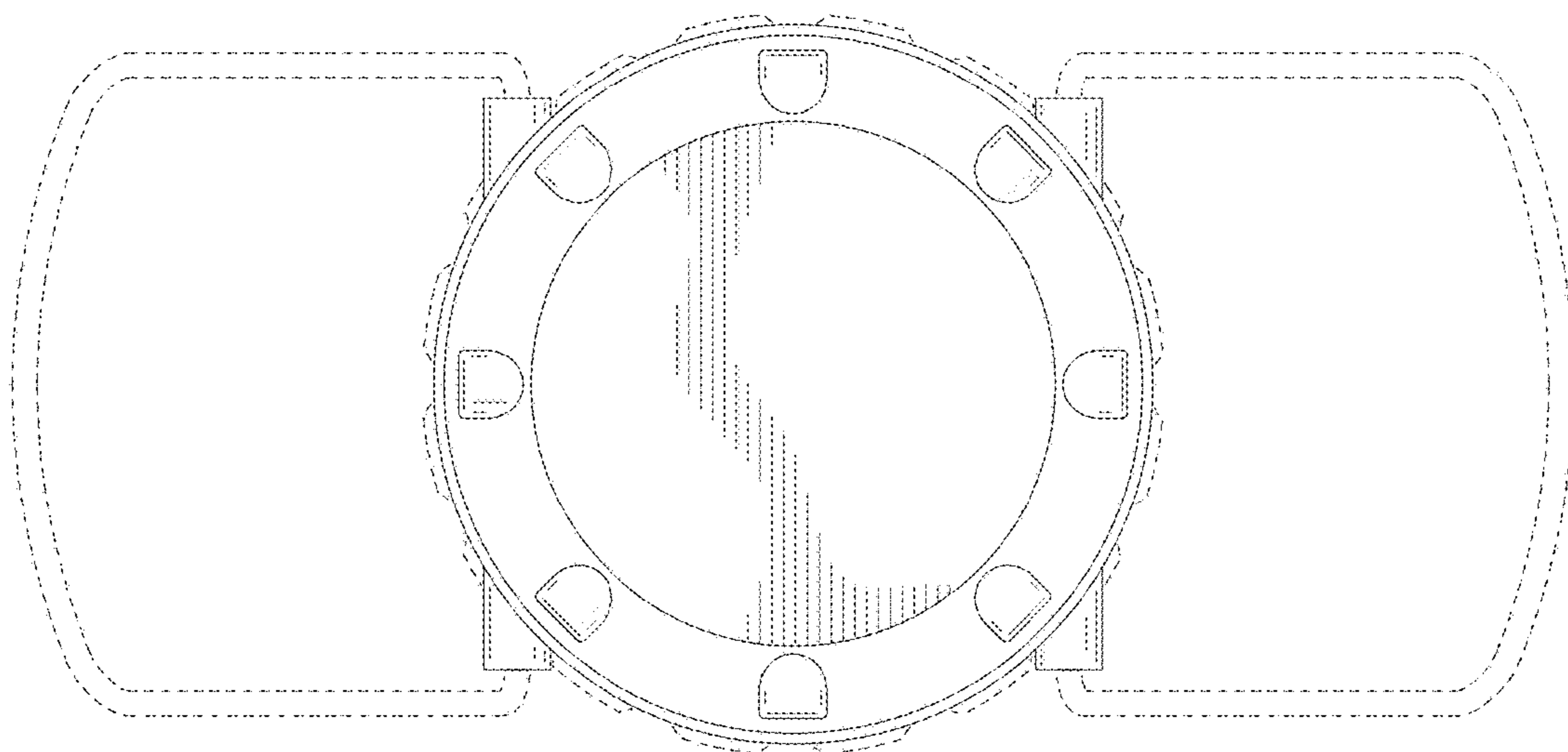


FIG. 5

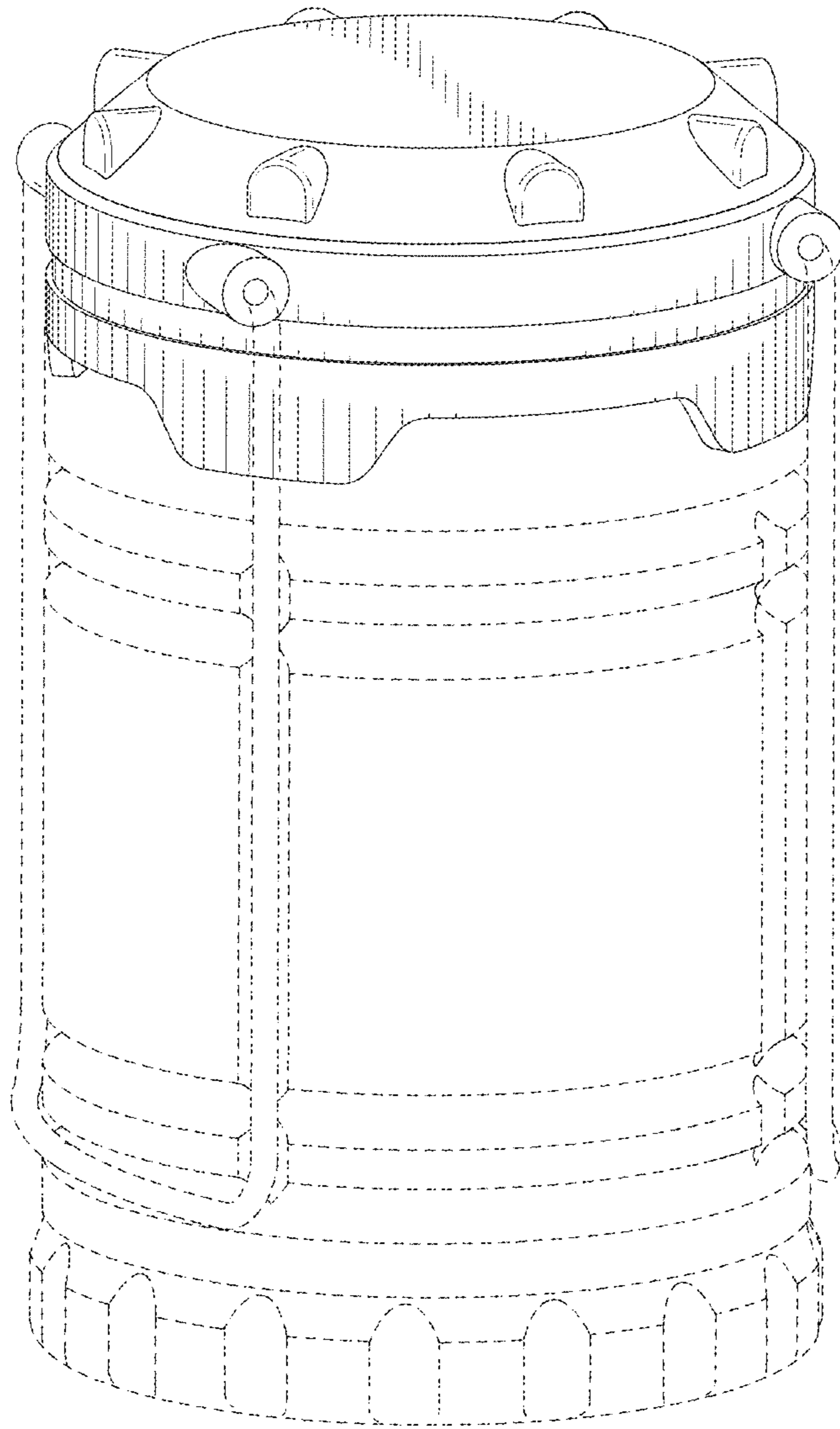


FIG.6