

US00D846166S

(12) **United States Design Patent**
Morelock

(10) **Patent No.:** **US D846,166 S**

(45) **Date of Patent:** **** Apr. 16, 2019**

(54) **MOTORCYCLE TAILLIGHT**

D565,758 S * 4/2008 Conway D26/28
D590,079 S * 4/2009 Higashikawa D26/28
D592,328 S * 5/2009 Chen D26/28

(71) Applicant: **Custom Dynamics LLC**, Youngsville,
NC (US)

* cited by examiner

(72) Inventor: **David Morelock**, Escondido, CA (US)

Primary Examiner — Marcus A Jackson

(73) Assignee: **CUSTOM DYNAMICS LLC**,
Youngsville, NC (US)

(74) *Attorney, Agent, or Firm* — Michael Best &
Friedrich LLP

(**) Term: **15 Years**

(57) **CLAIM**

The ornamental design for a motorcycle taillight, as shown
and described.

(21) Appl. No.: **29/631,668**

DESCRIPTION

(22) Filed: **Jan. 2, 2018**

(51) **LOC (11) Cl.** **26-06**

(52) **U.S. Cl.**
USPC **D26/28**

(58) **Field of Classification Search**
USPC D26/28–36
CPC B60Q 9/13; B60Q 9/135; B60Q 9/1375;
F21S 48/00; F21S 48/10; F21S 48/115;
F21S 48/225; F21S 48/1233; F21S
48/1266; F21S 48/1388; F21S 48/2268;
F21V 21/04

See application file for complete search history.

FIG. 1 is a perspective view of the motorcycle taillight.
FIG. 2 is a front elevational view of the motorcycle taillight.
FIG. 3 is a side elevational view of the motorcycle taillight
with the opposite side being a mirror image of the same.
FIG. 4 is a top plan view of the motorcycle taillight.
FIG. 5 is a perspective view of another embodiment of the
motorcycle taillight.
FIG. 6 is a front elevational view of the motorcycle taillight
shown in FIG. 5.
FIG. 7 is a side elevational view of the motorcycle taillight
shown in FIG. 5 with the opposite side being a mirror image
of the same; and,
FIG. 8 is a top plan view of the motorcycle taillight shown
in FIG. 5.

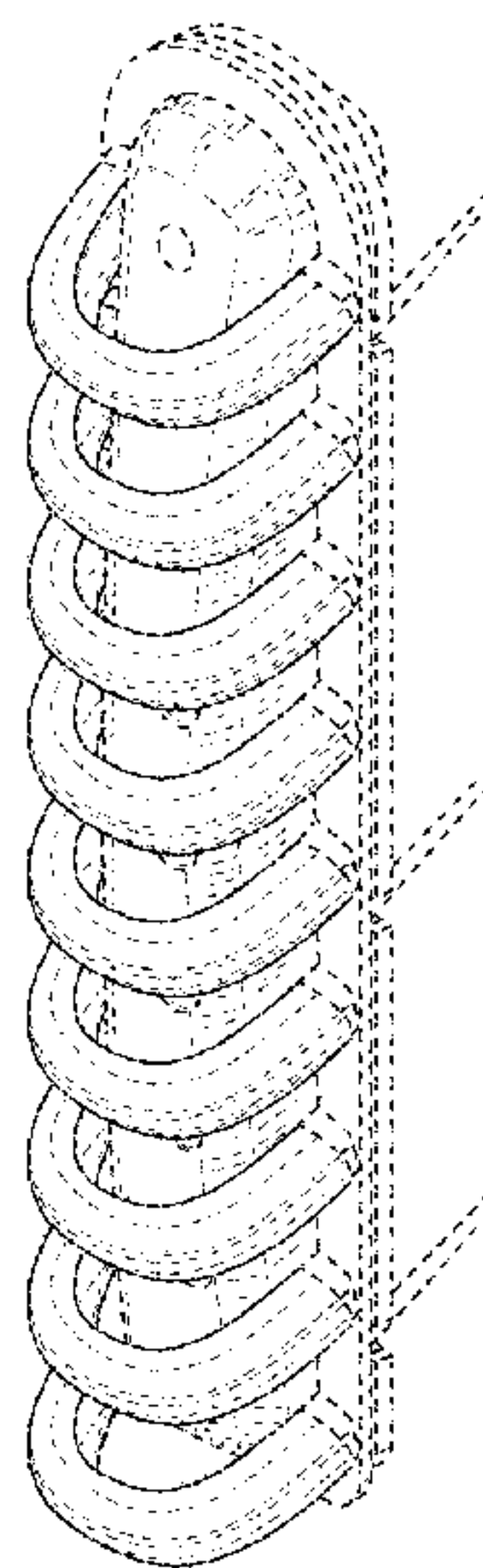
The bottom forms no part of the claimed design.
The broken lines form no part of the claimed design.

(56) **References Cited**

U.S. PATENT DOCUMENTS

D517,708 S * 3/2006 Phillips D26/28
D547,888 S * 7/2007 Conway D26/28

1 Claim, 8 Drawing Sheets



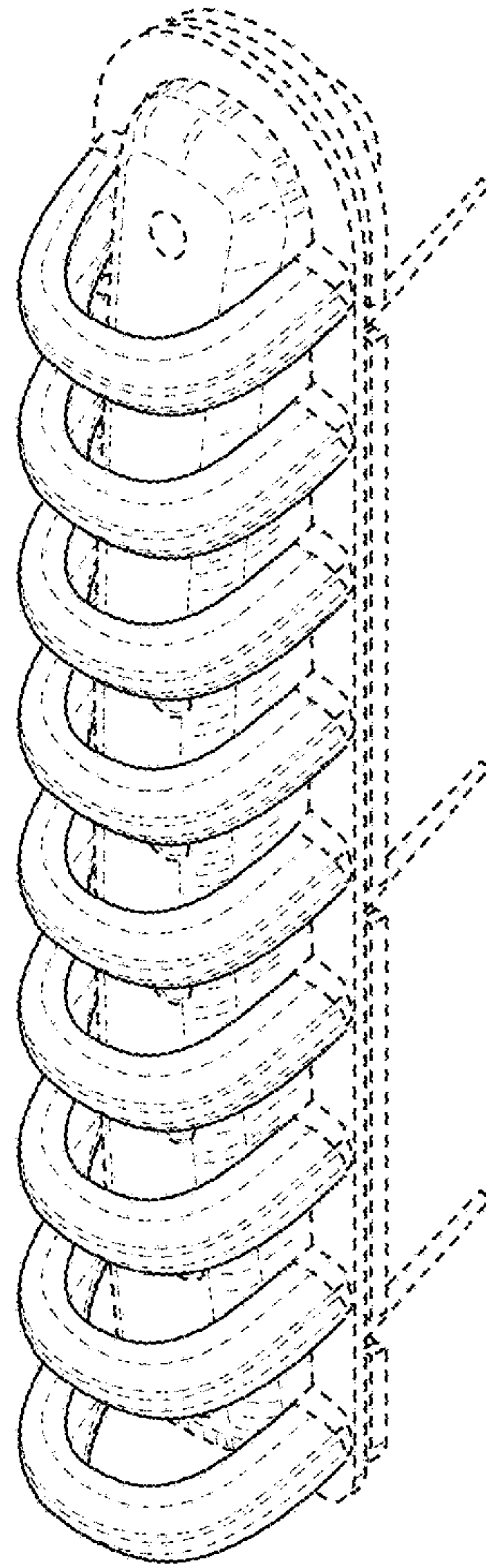


FIG. 1

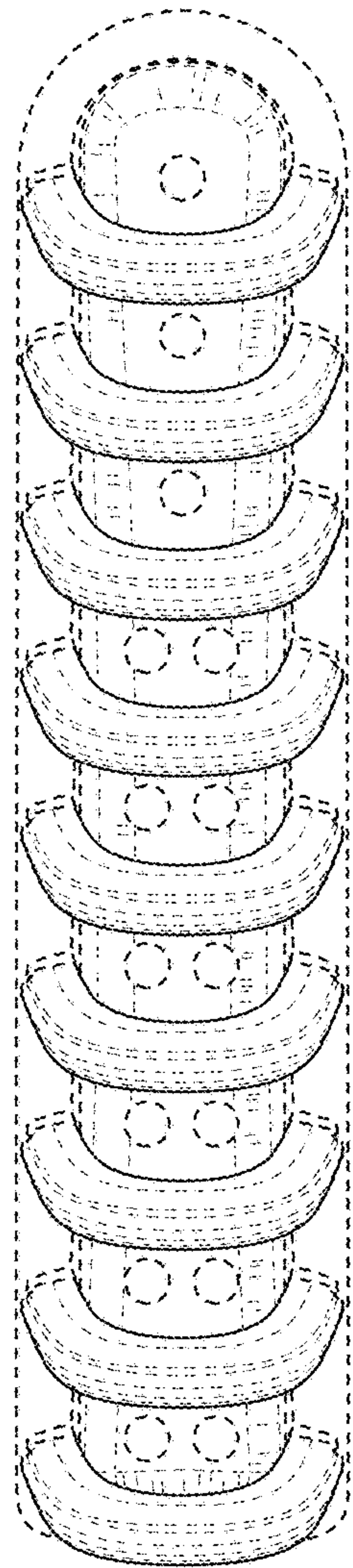


FIG. 2

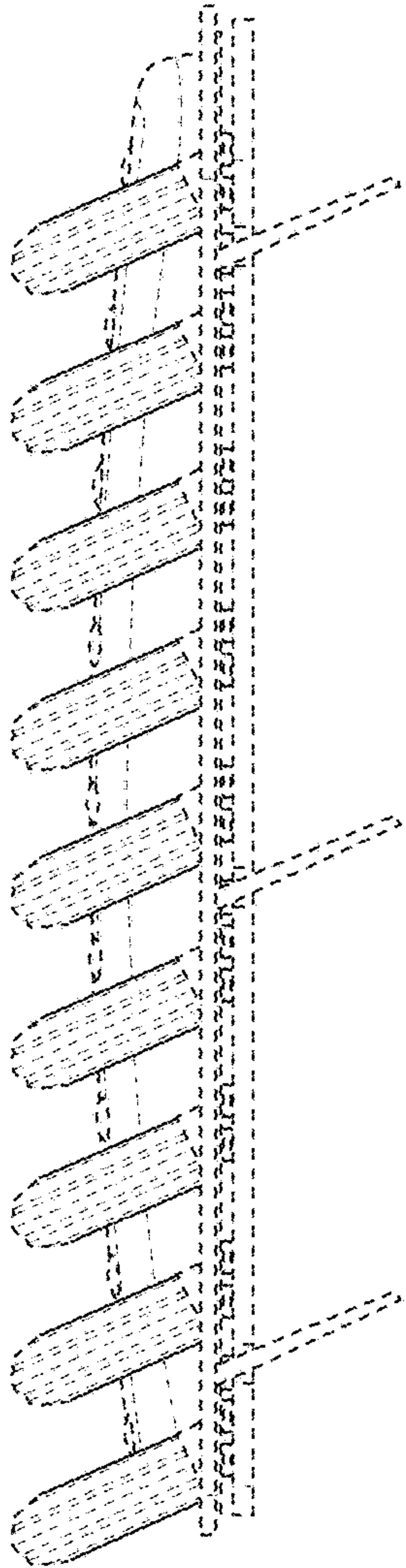


FIG. 3

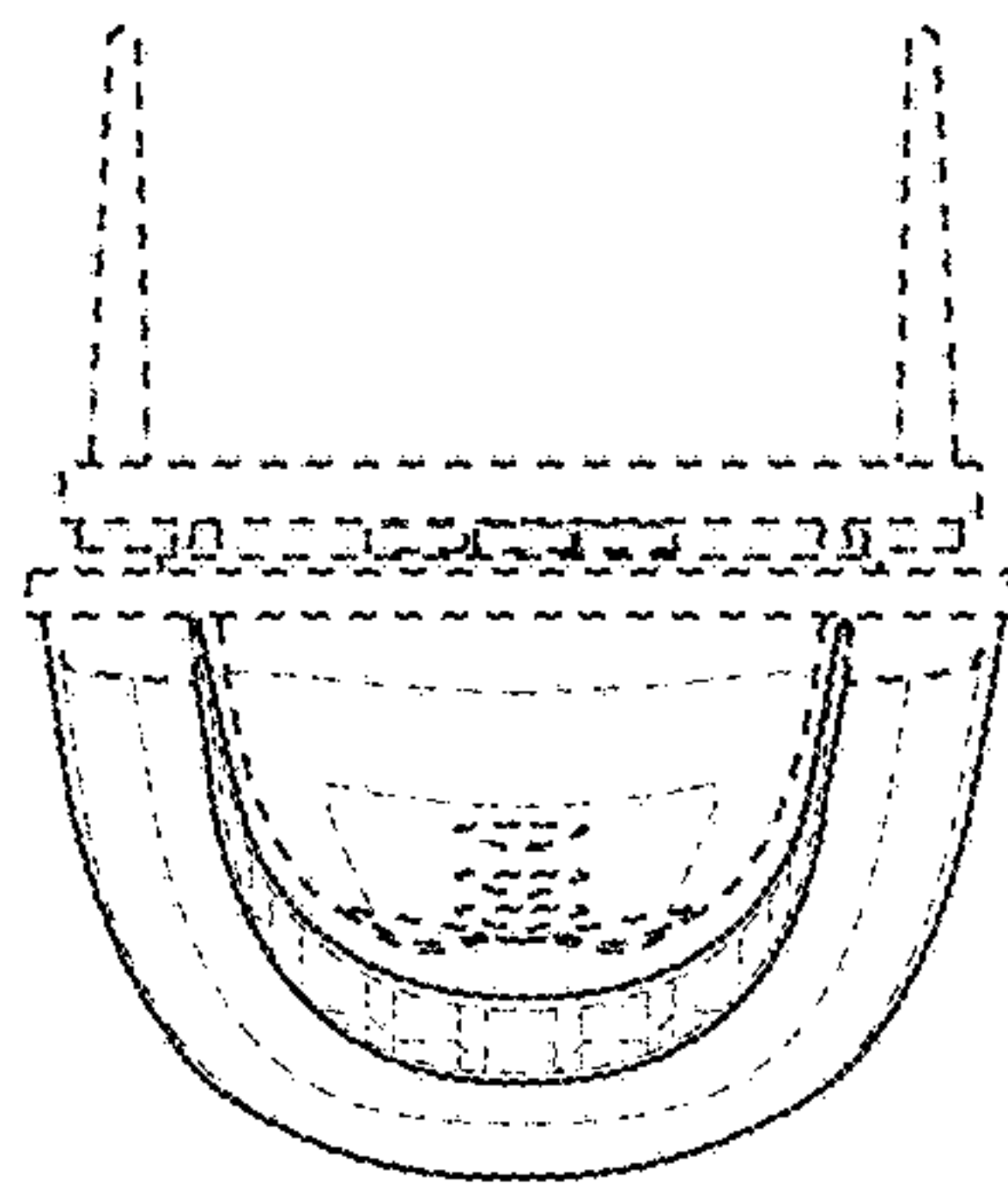


FIG. 4

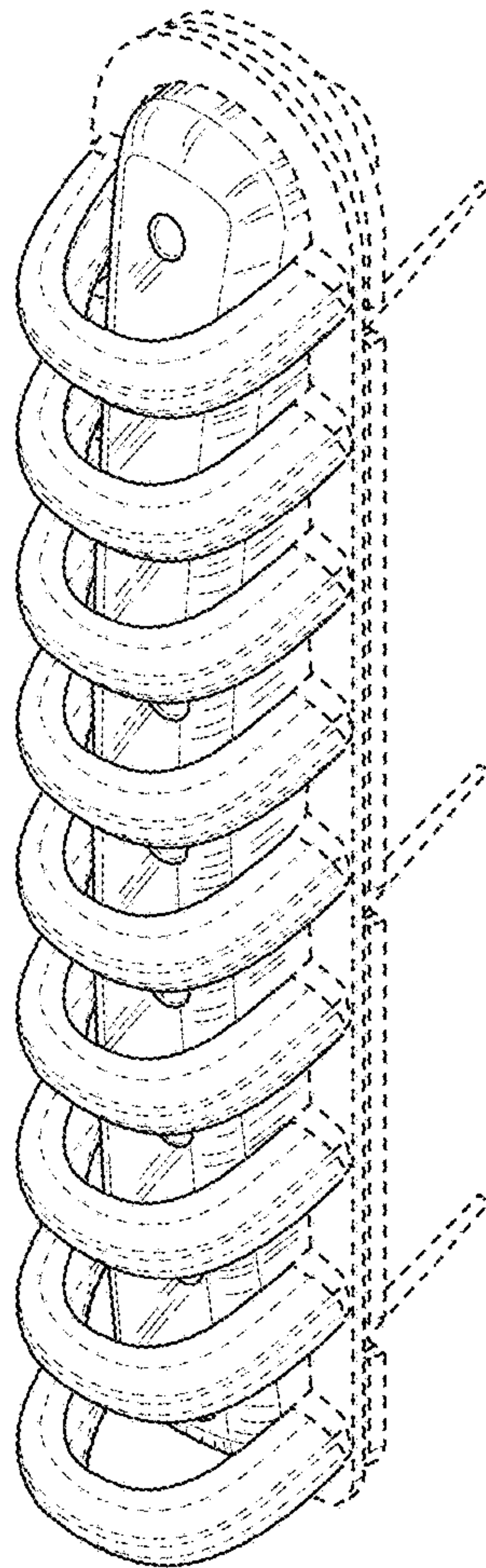


FIG. 5

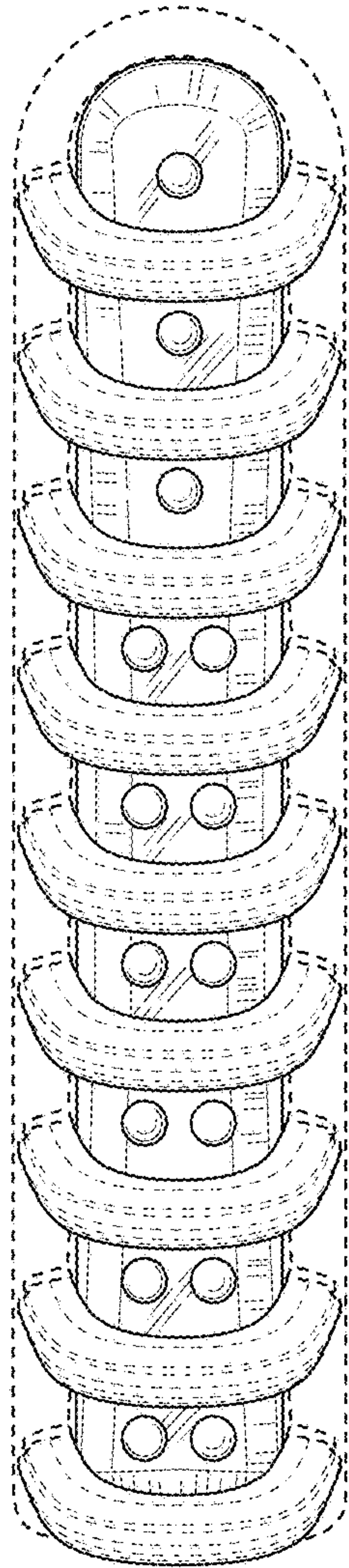


FIG. 6

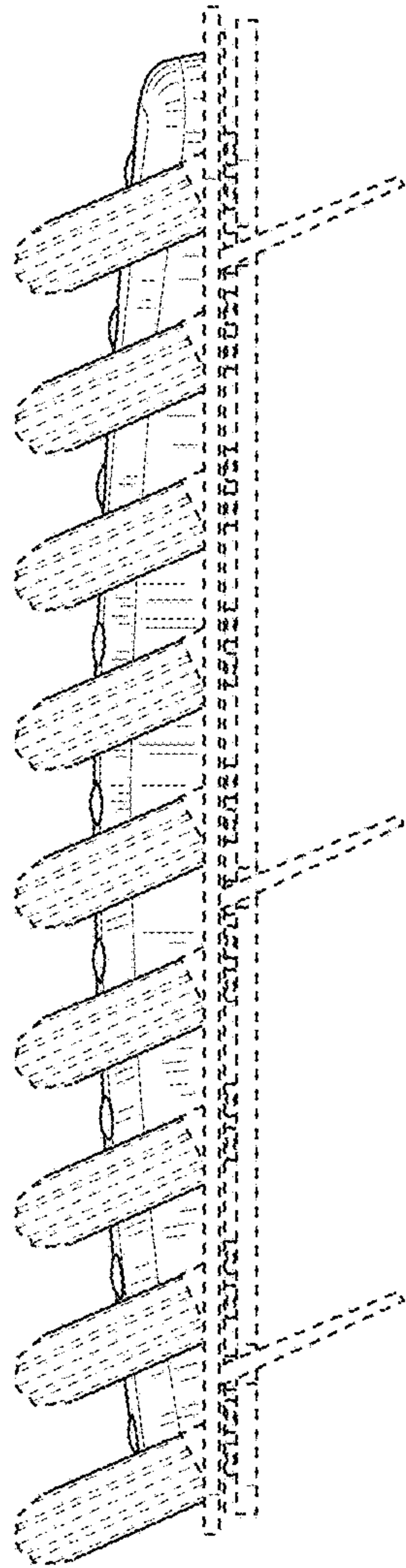


FIG. 7

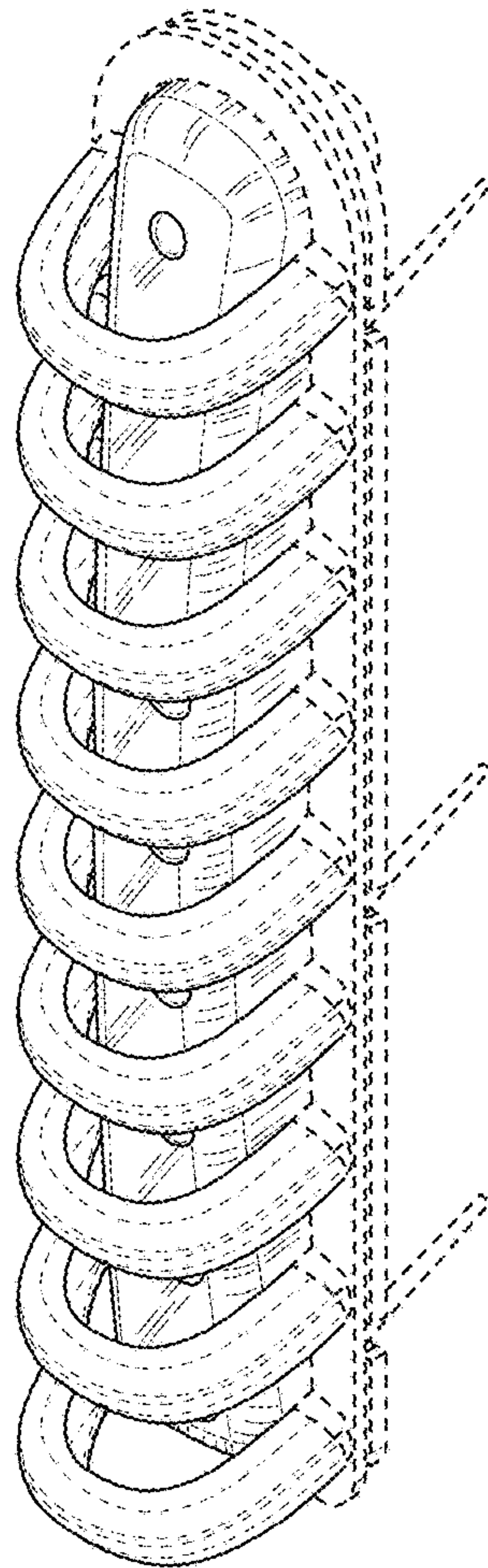


FIG. 8