



US00D846162S

(12) **United States Design Patent** (10) **Patent No.:** **US D846,162 S**  
**Stephan et al.** (45) **Date of Patent:** **\*\* Apr. 16, 2019**

(54) **FLASHING**  
(71) Applicant: **PEGASUS SOLAR INC.**, Richmond, CA (US)  
(72) Inventors: **Erich Kai Stephan**, Newport Beach, CA (US); **Peter Wilke**, Laguna Niguel, CA (US)  
(73) Assignee: **PEGASUS SOLAR, INC.**, Richmond, CA (US)  
(\*\*) Term: **15 Years**  
(21) Appl. No.: **29/616,140**

8,539,719 B2 9/2013 McPheeters et al.  
8,549,793 B1 10/2013 Gens et al.  
8,752,338 B2 6/2014 Schaefer et al.  
8,756,881 B2 6/2014 West et al.  
8,935,893 B2 1/2015 Liu et al.  
9,169,648 B1 10/2015 Mills  
9,624,669 B2\* 4/2017 Torres ..... E04D 1/08  
9,722,532 B2 8/2017 Almy et al.  
9,806,668 B2 10/2017 Johansen et al.  
9,874,021 B2 1/2018 Hudson et al.  
D827,160 S 8/2018 Menton  
D827,873 S \* 9/2018 Menton ..... D25/199  
2012/0031019 A1 2/2012 Stearns et al.  
2018/0062560 A1\* 3/2018 Stephan ..... F24S 25/61  
2018/0076756 A1\* 3/2018 Stephan ..... H02S 20/25  
2018/0106289 A1 4/2018 Ash et al.  
2018/0115274 A1\* 4/2018 Stephan ..... E04D 13/14

(22) Filed: **Sep. 1, 2017**  
(51) **LOC (11) Cl.** ..... **25-01**  
(52) **U.S. Cl.**  
USPC ..... **D25/199**  
(58) **Field of Classification Search**  
USPC ..... D23/393; D25/138, 139, 140, 141, 199  
CPC .... E04D 1/00; E04D 1/06; E04D 1/12; E04D 1/18; E04D 1/30; E04D 2001/309; E04D 13/064; E04D 13/1473; H02S 20/23; H02S 20/25  
See application file for complete search history.

(56) **References Cited**  
U.S. PATENT DOCUMENTS

5,121,583 A 6/1992 Hirai et al.  
5,603,187 A 2/1997 Merrin et al.  
5,746,029 A 5/1998 Ullman  
D608,475 S \* 1/2010 Simmons ..... E04D 1/04 D25/140  
D608,916 S \* 1/2010 Simmons ..... D25/140  
7,861,485 B1 1/2011 Wentworth et al.  
8,087,206 B1\* 1/2012 Worley ..... E04D 1/30 52/520  
8,464,478 B2 6/2013 Tweedie

**OTHER PUBLICATIONS**

<http://pegasussolar.com/tile-replace-rails/> Apr. 2017 (Year: 2017).\*  
<http://pegasussolar.com/residential-tile-roofs/> Sep. 2016 (Year: 2016).\*

\* cited by examiner

*Primary Examiner* — Leanne Was-Englehart  
(74) *Attorney, Agent, or Firm* — Polsinelli LLP

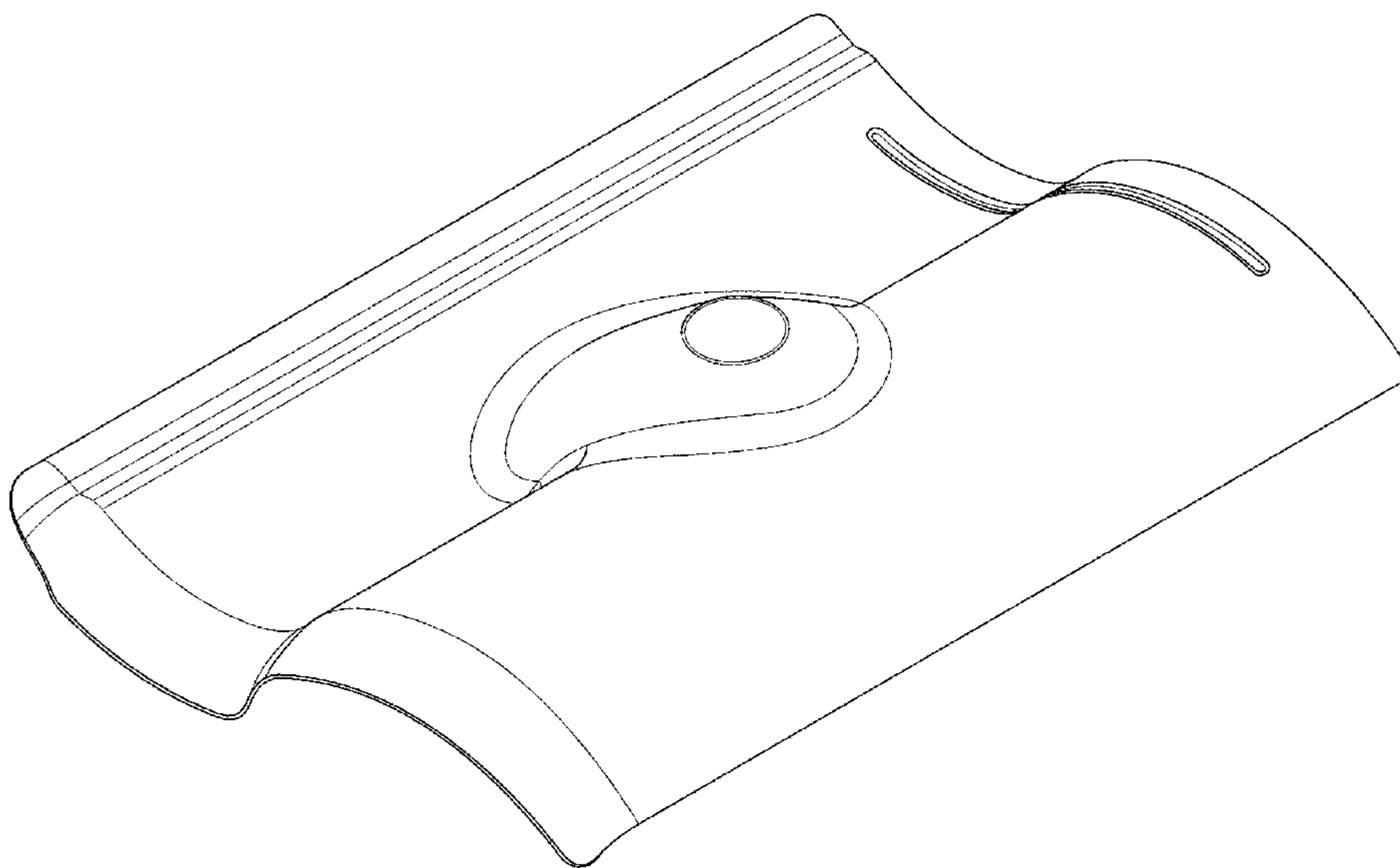
(57) **CLAIM**

The ornamental design for a flashing, as shown and described.

**DESCRIPTION**

FIG. 1 is a front view of the flashing;  
FIG. 2 is a right-side view of the flashing;  
FIG. 3 is a left-side view of the flashing;  
FIG. 4 is a top view of the flashing; and,  
FIG. 5 is a front perspective view of the flashing.

**1 Claim, 5 Drawing Sheets**



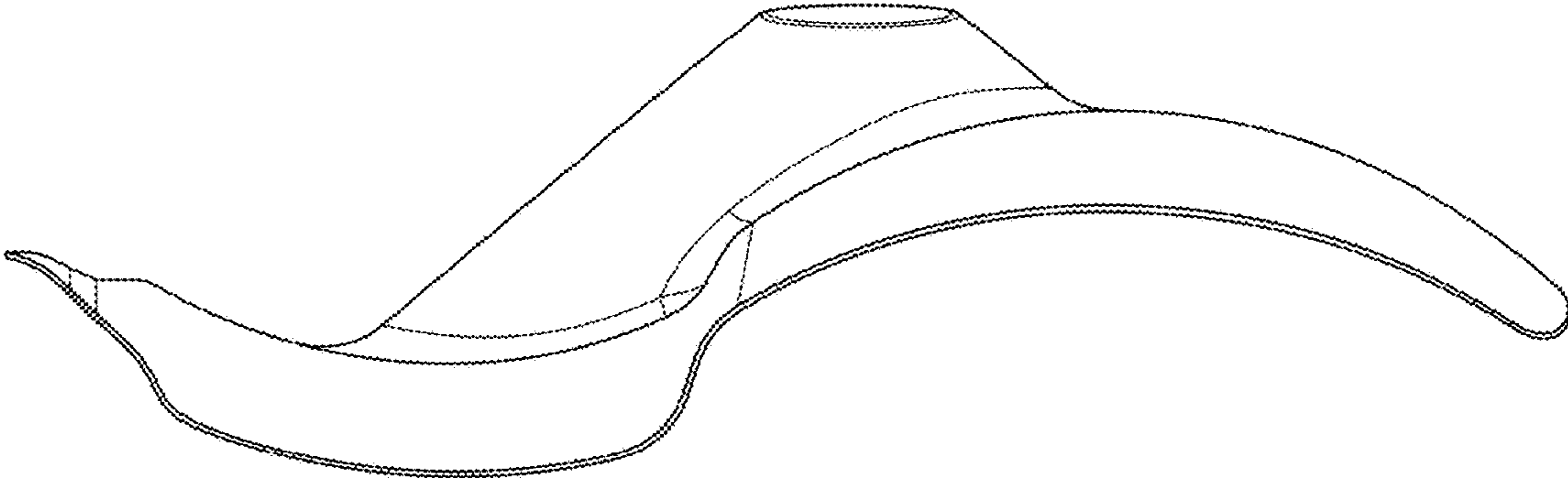


FIG. 1

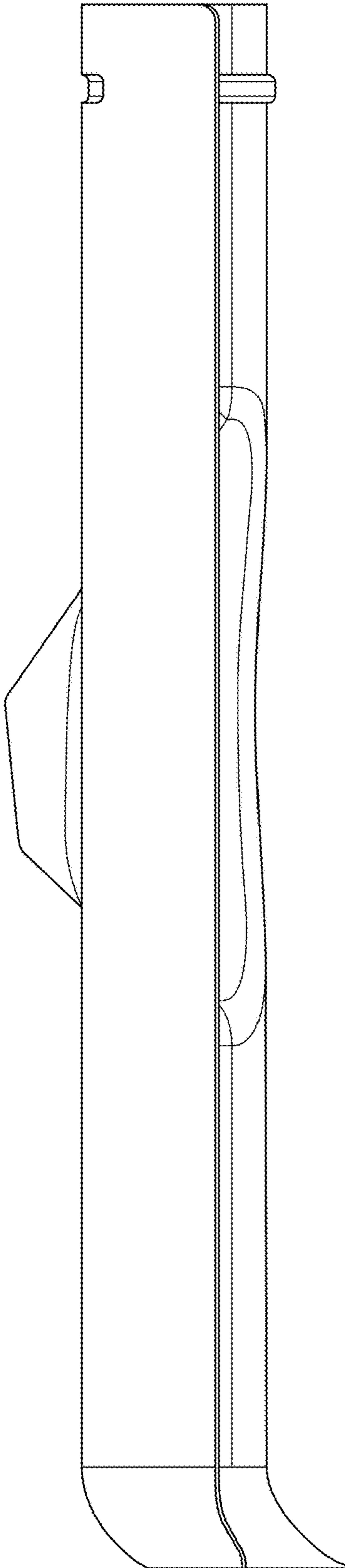


FIG. 2

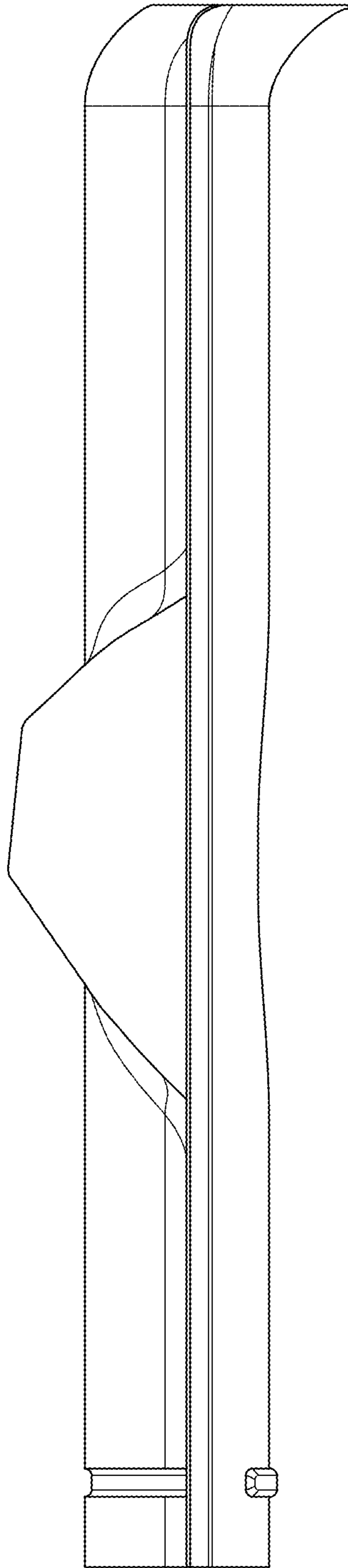


FIG. 3

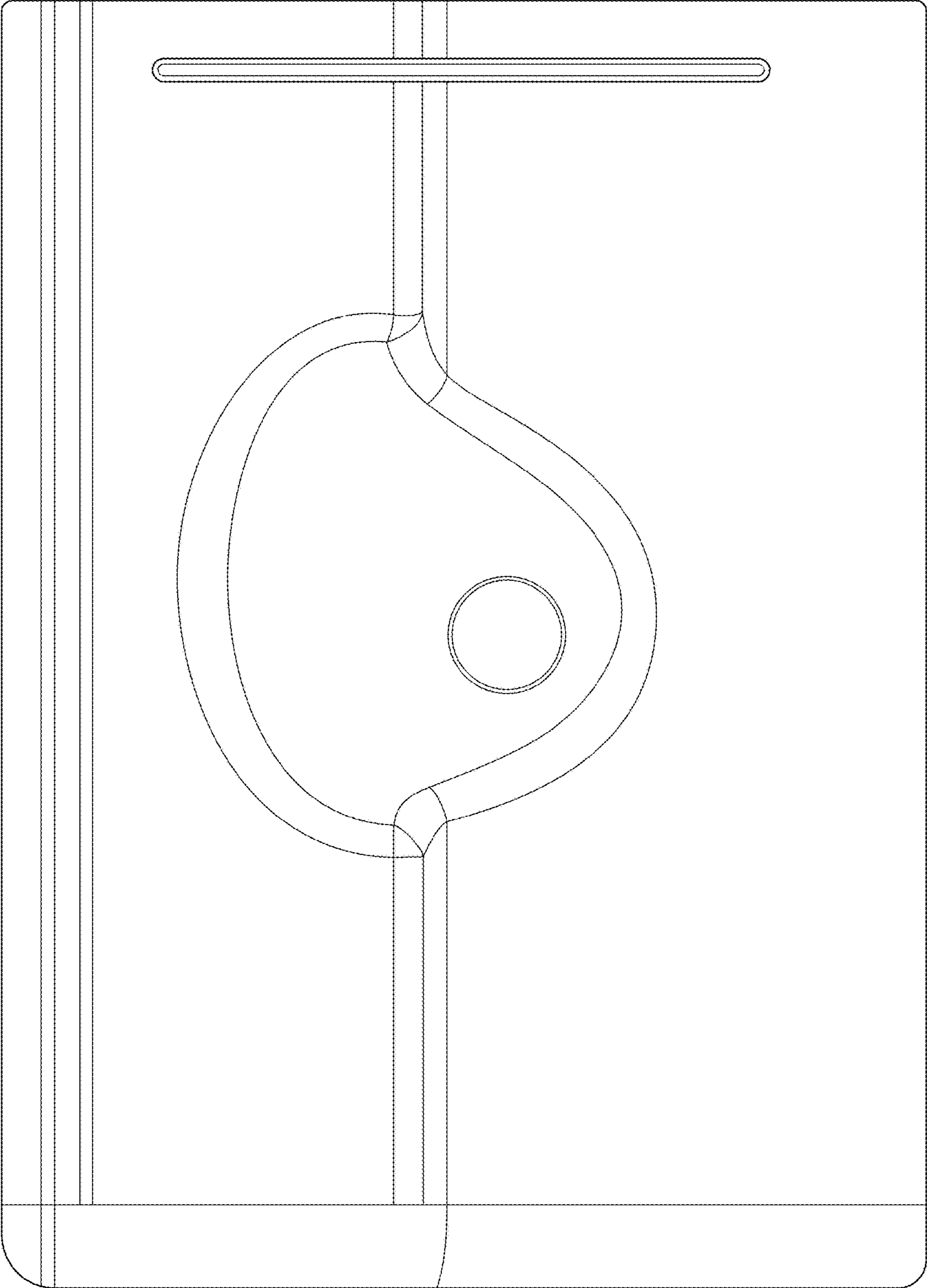


FIG. 4

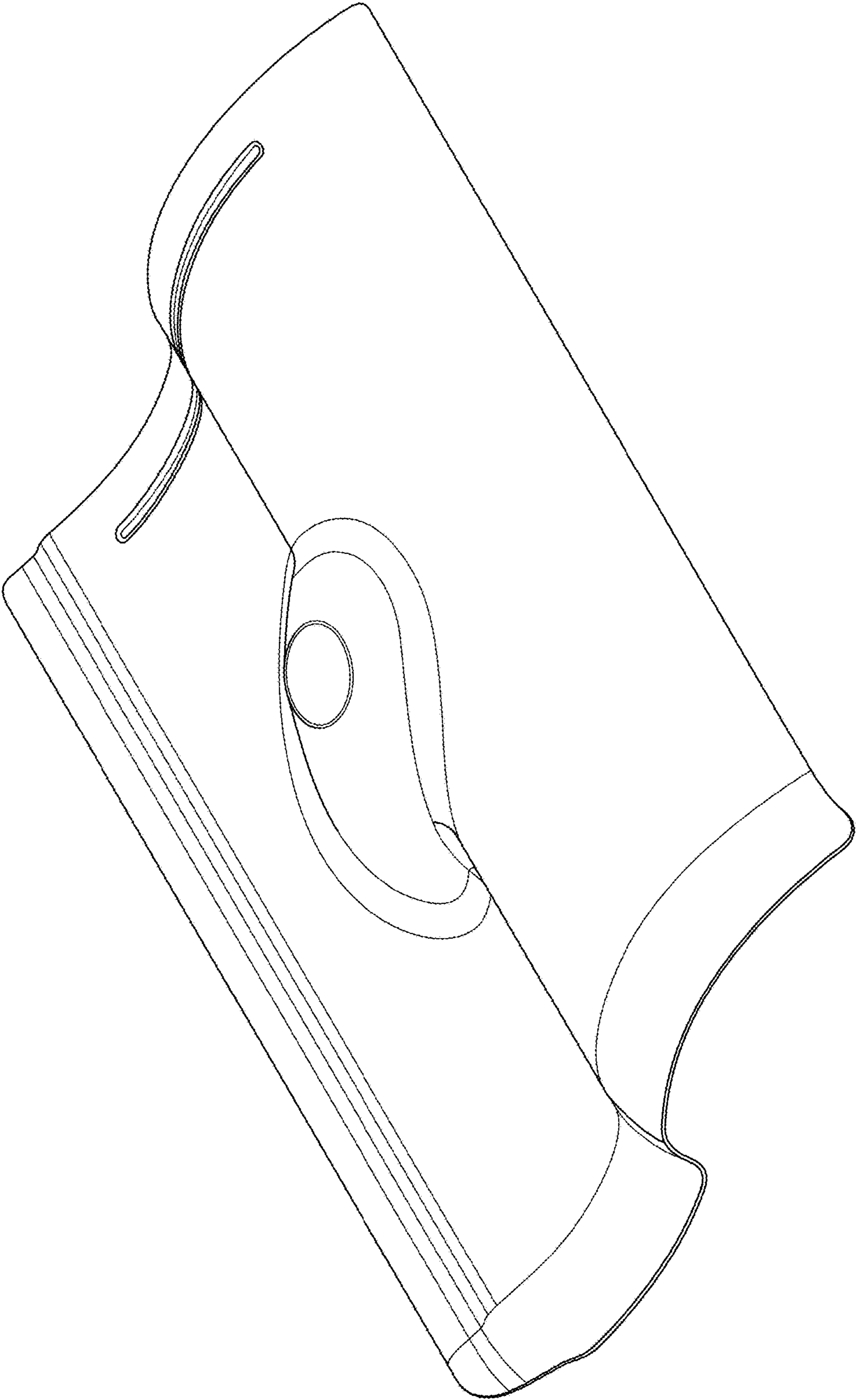


FIG. 5