



US00D846157S

(12) **United States Design Patent**
Luvison

(10) **Patent No.:** **US D846,157 S**
(45) **Date of Patent:** **** Apr. 16, 2019**

(54) **MULLION FOR A WINDOW**
(71) Applicant: **Associated Materials, LLC**, Cuyahoga Falls, OH (US)
(72) Inventor: **Michael Luvison**, Cuyahoga Falls, OH (US)
(73) Assignee: **Associated Materials, LLC**, Cuyahoga Falls, OH (US)
(**) Term: **15 Years**

3,380,210 A 4/1968 Neal
3,665,666 A 5/1972 Delcroix
D240,707 S * 7/1976 Rudinski D8/377
4,067,155 A 1/1978 Ruff et al.
4,207,717 A 6/1980 Hubbard
4,648,231 A 3/1987 Laroche
4,738,065 A 4/1988 Crandell
4,809,475 A 3/1989 Emmer
4,981,001 A 1/1991 Furuminato
5,007,221 A 4/1991 Matthews et al.
5,083,405 A 1/1992 Miller
5,094,051 A 3/1992 Miller

(Continued)

(21) Appl. No.: **29/615,048**
(22) Filed: **Aug. 25, 2017**
(51) **LOC (11) Cl.** **25-01**
(52) **U.S. Cl.**
USPC **D25/123**
(58) **Field of Classification Search**
USPC D25/119–126, 136, 164, 199; D26/138;
D8/349, 354, 376, 377, 380, 381, 382;
D6/702, 705, 705.6, 709, 709.2, 712
CPC E04F 19/02; E04F 19/022; E04F 19/024;
E04F 19/026; E04F 19/028; E04F 19/04;
E04F 19/0436; E04F 19/0459; E04F
19/0463; E04F 19/0468; E04F 19/0481;
E04F 19/0486; E04F 19/049; E04F
19/0495; E04F 19/06; E04F 19/061; E04F
19/062; E04F 19/063; E04F 19/064; E04F
19/065; E04F 19/066; E04F 19/067; E04F
19/068; E04F 2019/0413; E04F
2019/0454; E04C 3/00; E04C 3/005;
E04C 3/02; E04C 3/04; E06B 1/00; E06B
1/02; E06B 1/04; E06B 1/045; E06B
1/12; E06B 1/26; E06B 1/28; E06B 1/30;
E06B 1/32; E06B 1/34; E06B 1/342;
E06B 1/36; E06B 1/52
See application file for complete search history.

Primary Examiner — Cynthia Ramirez
Assistant Examiner — L. Martinez
(74) *Attorney, Agent, or Firm* — Knobbe, Martens, Olson & Bear LLP

(57) **CLAIM**

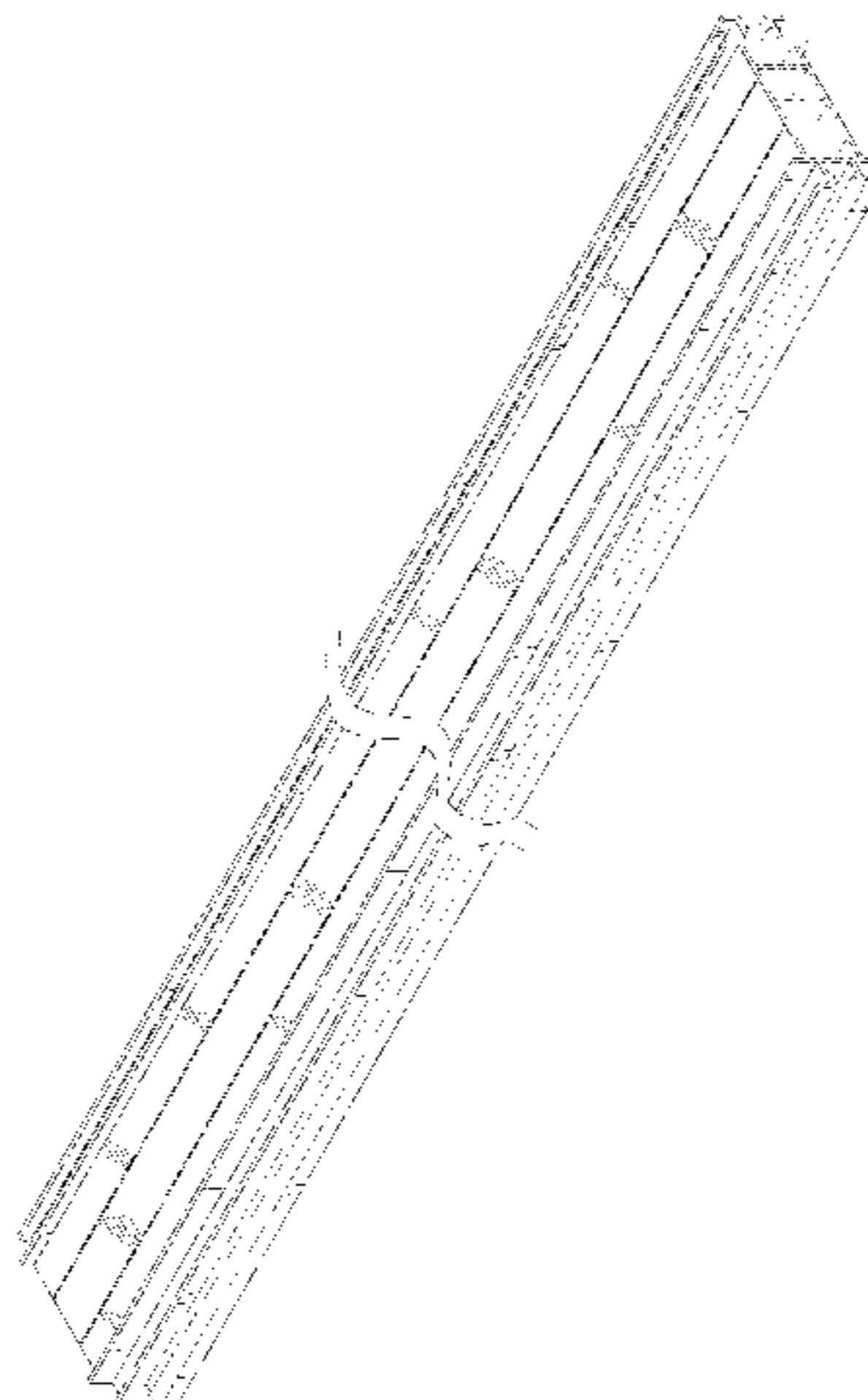
The ornamental design for a mullion for a window, as shown and described.

DESCRIPTION

FIG. 1 is a top perspective view of a mullion for a window showing my new design;
FIG. 2 is a left side view thereof, the right side view being a mirror image thereof;
FIG. 3 is an enlarged front view thereof, the rear view being a mirror image thereof; and,
FIG. 4 is a top view thereof, the bottom view being a mirror image thereof.
The broken lines in the drawings illustrate portions of the mullion for a window that form no part of the claimed design.
The mullion for a window is shown with a symbolic break in its length. The appearance of any portion of the mullion for a window between the dash-dot break lines forms no part of the claimed design.

(56) **References Cited**
U.S. PATENT DOCUMENTS
3,057,444 A 10/1962 Walberg
3,082,849 A 3/1963 Keller

1 Claim, 4 Drawing Sheets



(56)

References Cited

U.S. PATENT DOCUMENTS

5,355,645	A	10/1994	Farag	
5,435,106	A	7/1995	Garries et al.	
5,444,958	A	8/1995	Lu	
5,579,616	A	12/1996	Farag	
5,632,125	A	5/1997	Osanai	
5,655,346	A	8/1997	Holmes et al.	
5,678,383	A	10/1997	Danielewicz	
D392,822	S *	3/1998	Gilmore	D25/119
5,937,597	A	8/1999	Sono et al.	
6,014,846	A	1/2000	Sono et al.	
6,343,448	B1 *	2/2002	Lin	E06B 1/02 52/204.1
6,360,498	B1	3/2002	Westphal	
6,405,504	B1	6/2002	Richardson	
D471,646	S *	3/2003	Westphal	D25/122
6,662,512	B2	12/2003	Westphal	
D487,936	S *	3/2004	Habeck	D25/124
D494,042	S *	8/2004	Wright	D8/354
D513,966	S *	1/2006	Wright	D8/354
D536,822	S *	2/2007	Pyshos	D26/138
7,434,364	B2 *	10/2008	MacDermott	E06B 1/36 52/127.11
D662,613	S *	6/2012	Williams	D25/126
D666,309	S *	8/2012	Zhao	D25/124
D782,105	S *	3/2017	Klus	D26/138
D789,180	S *	6/2017	Webb	D8/354
D789,181	S *	6/2017	Webb	D8/354
9,766,045	B2	9/2017	Fultz et al.	
2003/0126812	A1	7/2003	Folsom et al.	

* cited by examiner

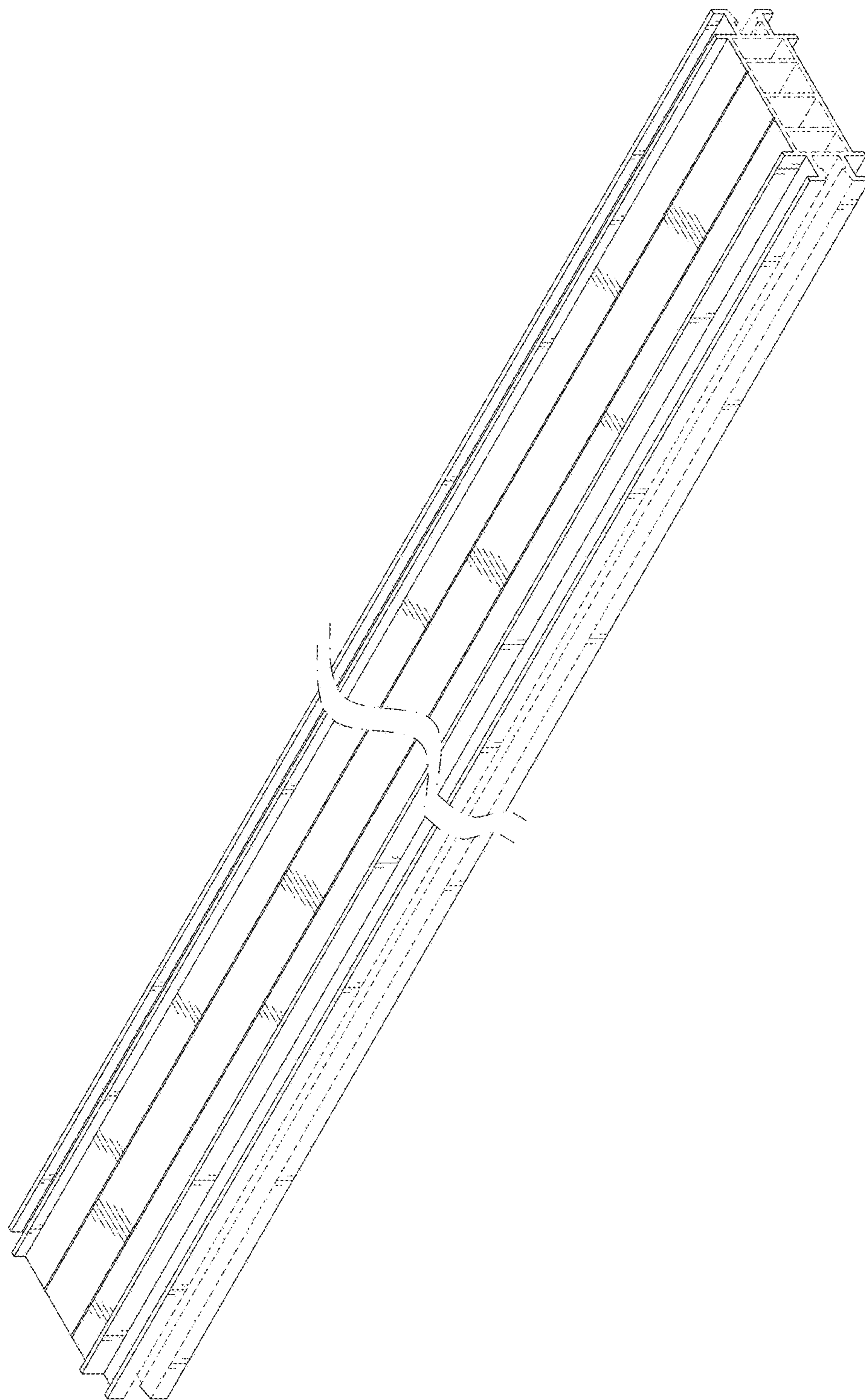


FIG. 1

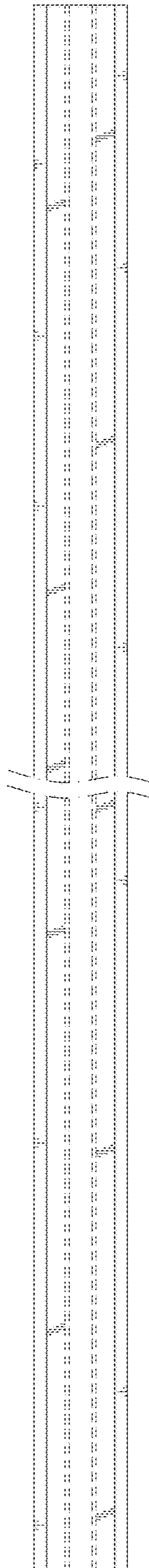


FIG. 2

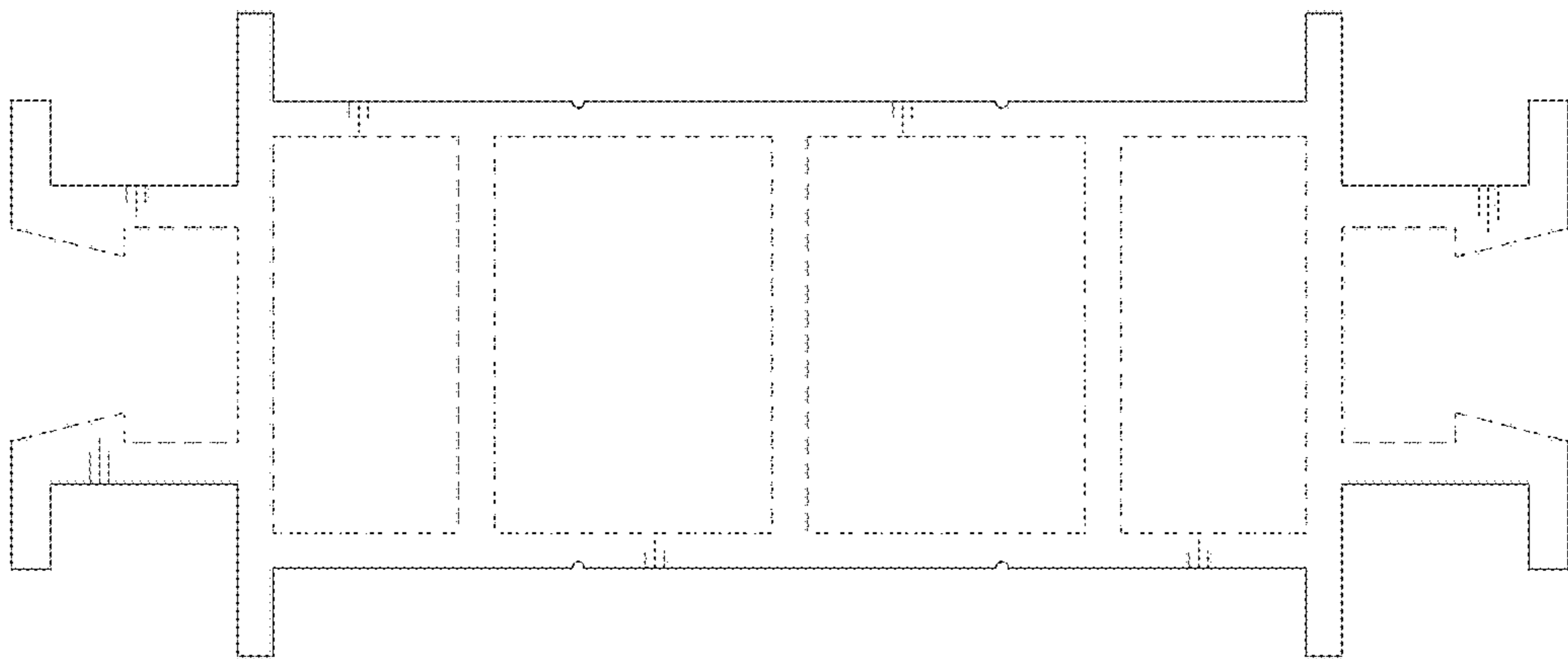


FIG. 3

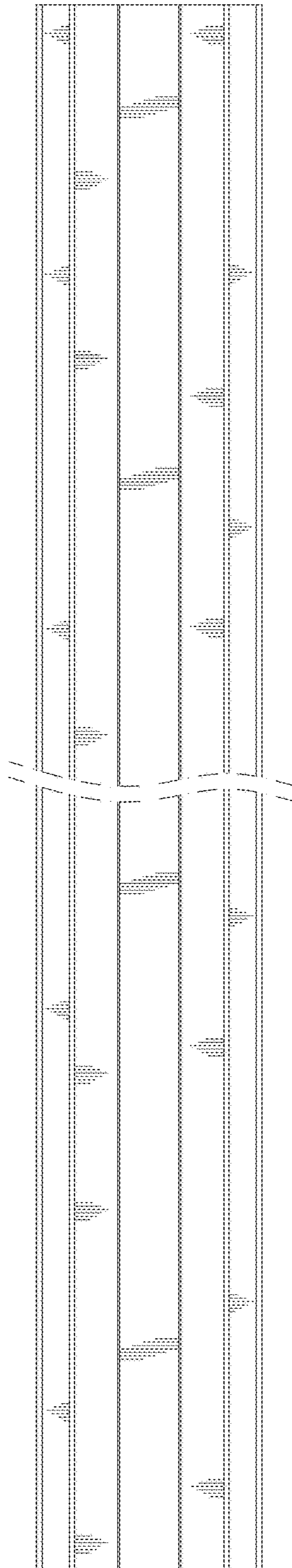


FIG. 4