

US00D846155S

(12) **United States Design Patent**
Beland

(10) **Patent No.:** **US D846,155 S**
(45) **Date of Patent:** **** Apr. 16, 2019**

- (54) **ANTISLIP STEP**
- (71) Applicant: **METALTECH-OMEGA INC.,** Laval (CA)
- (72) Inventor: **Patrice Beland,** Montreal (CA)
- (73) Assignee: **METALTECH-OMEGA INC.,** Laval (CA)
- (**) Term: **15 Years**
- (21) Appl. No.: **29/628,083**
- (22) Filed: **Dec. 1, 2017**
- (51) **LOC (11) Cl.** **25-04**
- (52) **U.S. Cl.**
USPC **D25/69**
- (58) **Field of Classification Search**
USPC D25/62-69; 182/90, 92, 120, 122
CPC E06C 7/46; E06C 7/50; E06C 7/18
See application file for complete search history.

- D661,406 S * 6/2012 Finch D25/68
- 8,657,070 B2 * 2/2014 O'Brien E06C 7/165
182/120
- 8,727,074 B1 * 5/2014 Bhajan E06C 7/165
182/119
- D718,875 S * 12/2014 Ramos Moreno D25/69

* cited by examiner

Primary Examiner — Cynthia Ramirez
Assistant Examiner — Gino Colan

(74) *Attorney, Agent, or Firm* — Benoit & Cote, Inc.; C. Marc Benoit

(57) **CLAIM**

I claim the ornamental design for antislip step, as shown and described.

DESCRIPTION

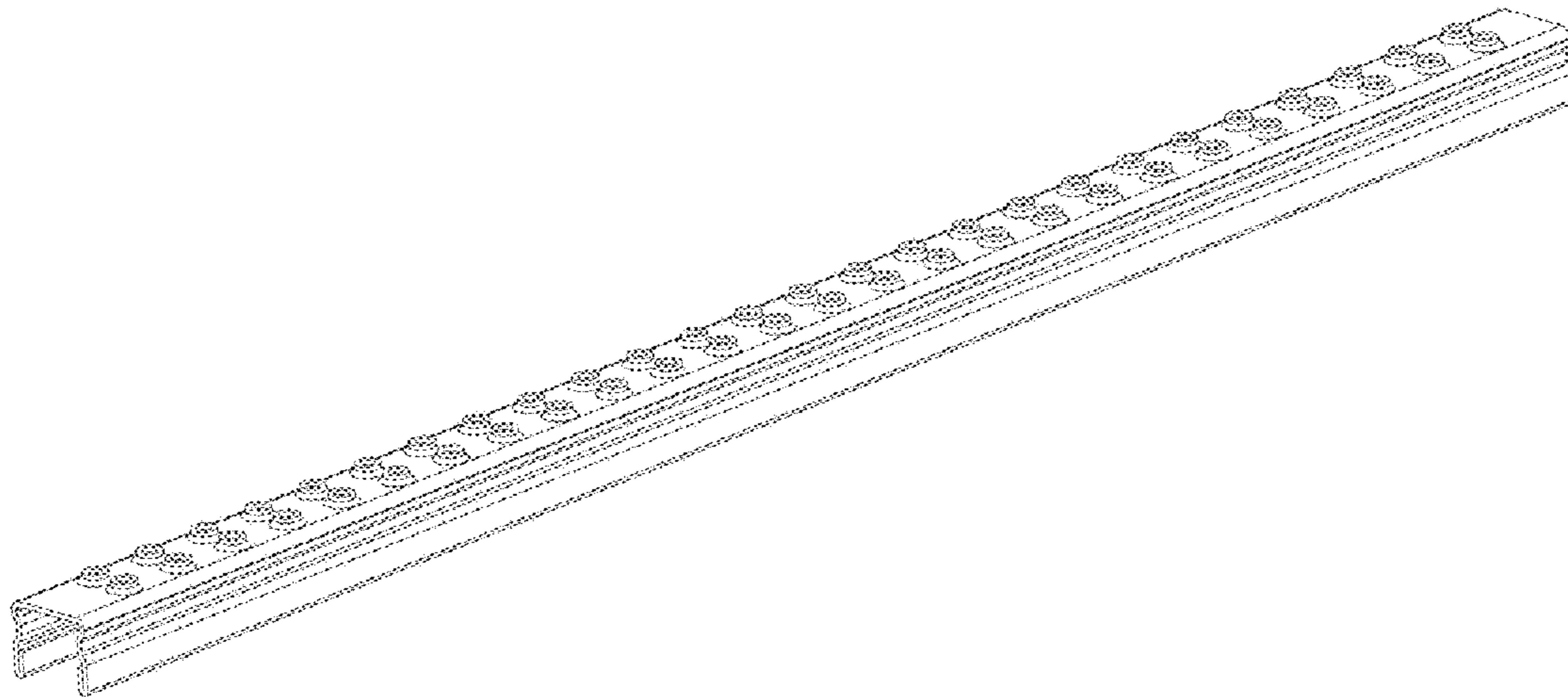
FIG. 1 is a perspective view of my ornamental design of the antislip step;
FIG. 2 is a front elevation view of the antislip step of FIG. 1;
FIG. 3 is a right side elevation view of the antislip step of FIG. 1;
FIG. 4 is a rear elevation view of the antislip step of FIG. 1;
FIG. 5 is a left side elevation view of the antislip step of FIG. 1;
FIG. 6 is a top plan view of the antislip step of FIG. 1; and,
FIG. 7 is a bottom plan view of the antislip step of FIG. 1.

1 Claim, 4 Drawing Sheets

(56) **References Cited**

U.S. PATENT DOCUMENTS

- 1,285,817 A * 11/1918 Sklar E06C 7/165
182/120
- 3,085,651 A * 4/1963 Rich E06C 7/08
182/222
- D258,839 S * 4/1981 Broyles D25/69
- D412,754 S * 8/1999 Harden D25/69
- 5,931,257 A * 8/1999 Harden E04G 5/10
182/90
- D615,725 S * 5/2010 Phillips D25/68



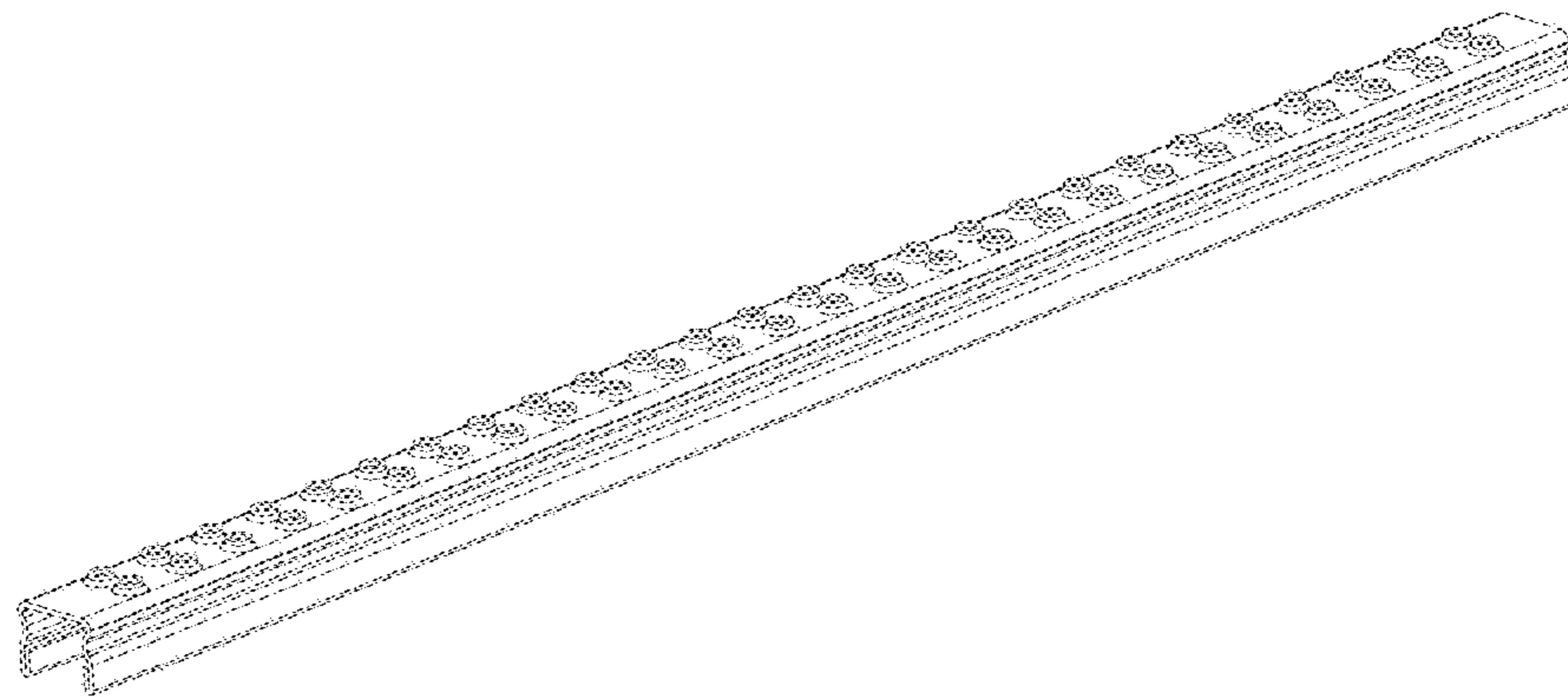


FIGURE 1

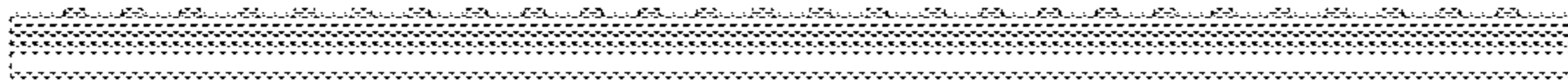


FIGURE 2



FIGURE 3

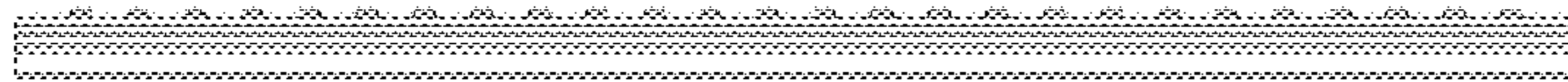


FIGURE 4

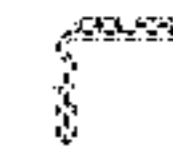


FIGURE 5

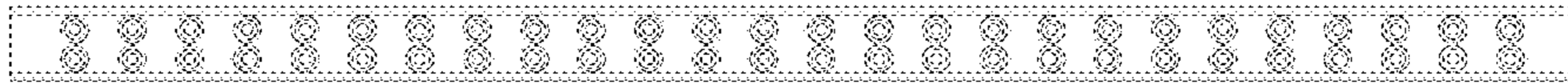


FIGURE 6

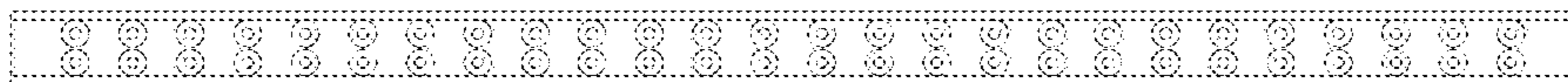


FIGURE 7