



US00D846154S

(12) **United States Design Patent**  
**Coe**

(10) **Patent No.:** **US D846,154 S**

(45) **Date of Patent:** **\*\* Apr. 16, 2019**

(54) **STEP LADDER UNIVERSAL DEVICE**

(71) Applicant: **James Coe**, Virginia Beach, VA (US)

(72) Inventor: **James Coe**, Virginia Beach, VA (US)

(\*\*) Term: **15 Years**

(21) Appl. No.: **29/597,242**

(22) Filed: **Mar. 15, 2017**

(51) **LOC (11) Cl.** ..... **25-04**

(52) **U.S. Cl.**  
USPC ..... **D25/68**

(58) **Field of Classification Search**  
USPC ..... D25/62-65, 68; 182/111, 206, 107, 129,  
182/115; D8/330, 349, 394, 72; 248/65,  
248/674, 313, 229.12, 210; D24/128;  
224/410

CPC ..... F16B 2/065; F16B 12/32; F16B 5/06  
See application file for complete search history.

(56) **References Cited**

**U.S. PATENT DOCUMENTS**

- 4,025,016 A \* 5/1977 Brothers ..... E06C 7/14  
248/210
- D393,998 S \* 5/1998 Anderson ..... D8/394
- 6,471,171 B1 \* 10/2002 VanderVelde ..... H02G 3/32  
248/229.12
- D616,276 S \* 5/2010 Friegang ..... D8/72

- D631,979 S \* 2/2011 Kennedy ..... D25/68
- 7,967,264 B1 \* 6/2011 Peterson ..... E06C 7/143  
182/115
- 8,960,512 B2 \* 2/2015 Maenle ..... A01B 23/02  
224/410
- 9,334,690 B2 \* 5/2016 Colon ..... E06C 7/14
- 9,810,022 B1 \* 11/2017 Ayala ..... E06C 7/14
- D826,023 S \* 8/2018 Chun ..... D8/72
- D827,405 S \* 9/2018 Chun ..... D8/72

\* cited by examiner

*Primary Examiner* — Cynthia Ramirez

*Assistant Examiner* — Gino Colan

(74) *Attorney, Agent, or Firm* — William G. Sykes

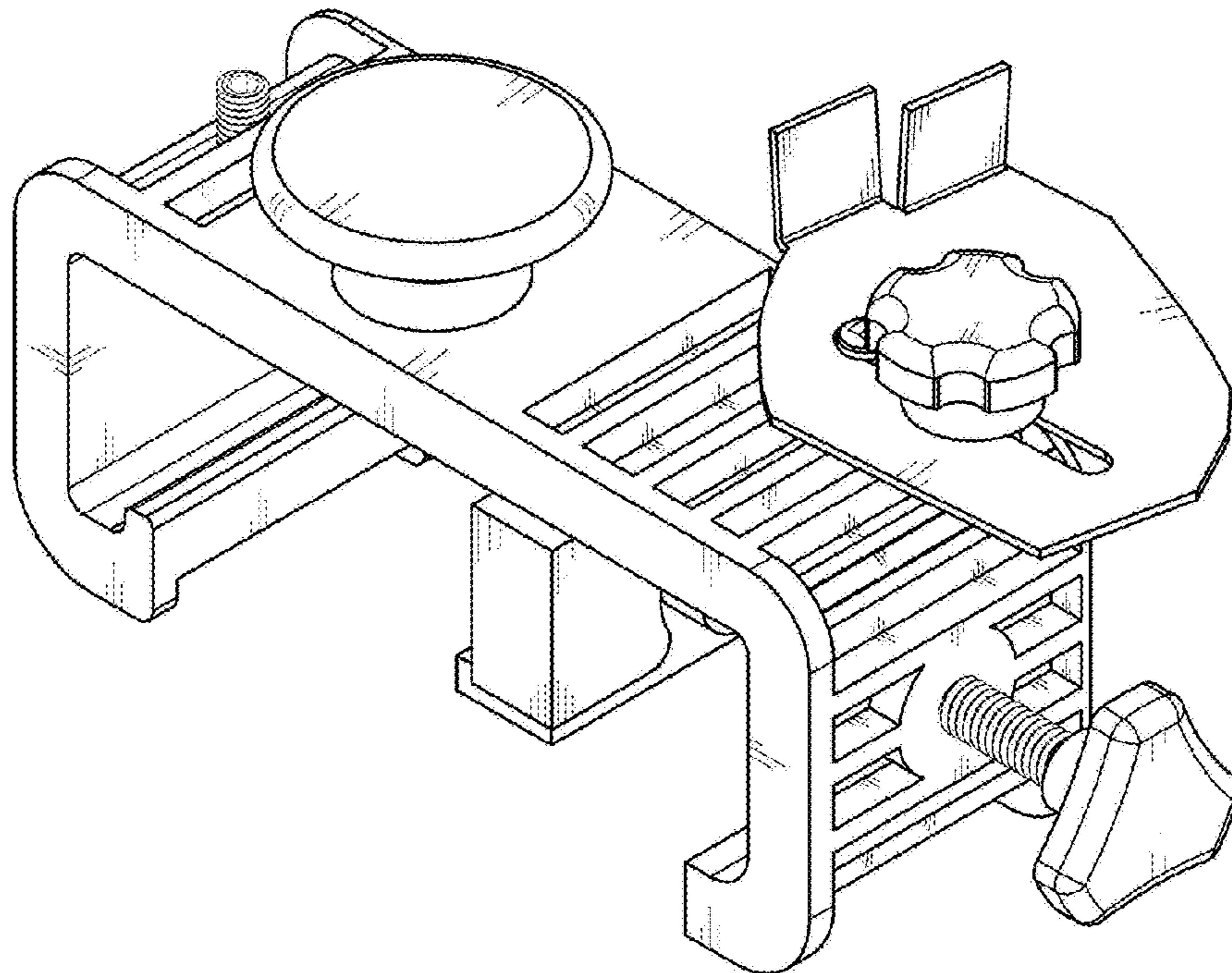
(57) **CLAIM**

The ornamental design for a step ladder universal device, as shown.

**DESCRIPTION**

FIG. 1 is a back left isometric view of a step ladder universal device showing my new design;  
 FIG. 2 is a left side view thereof;  
 FIG. 3 is a top view thereof;  
 FIG. 4 is a bottom view thereof;  
 FIG. 5 is a front view thereof;  
 FIG. 6 is a rear view thereof; and,  
 FIG. 7 is a right side view.

**1 Claim, 7 Drawing Sheets**



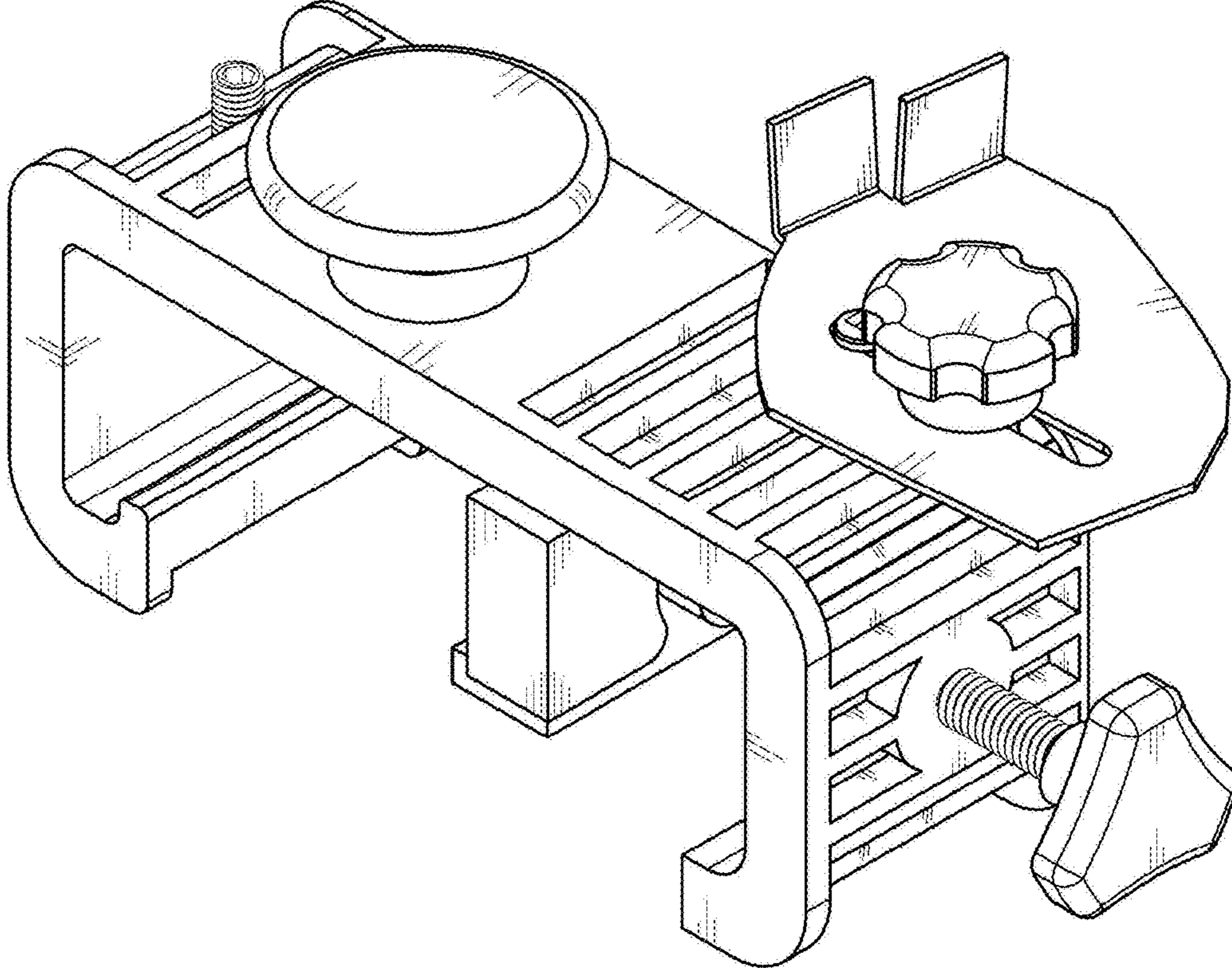


Fig. 1

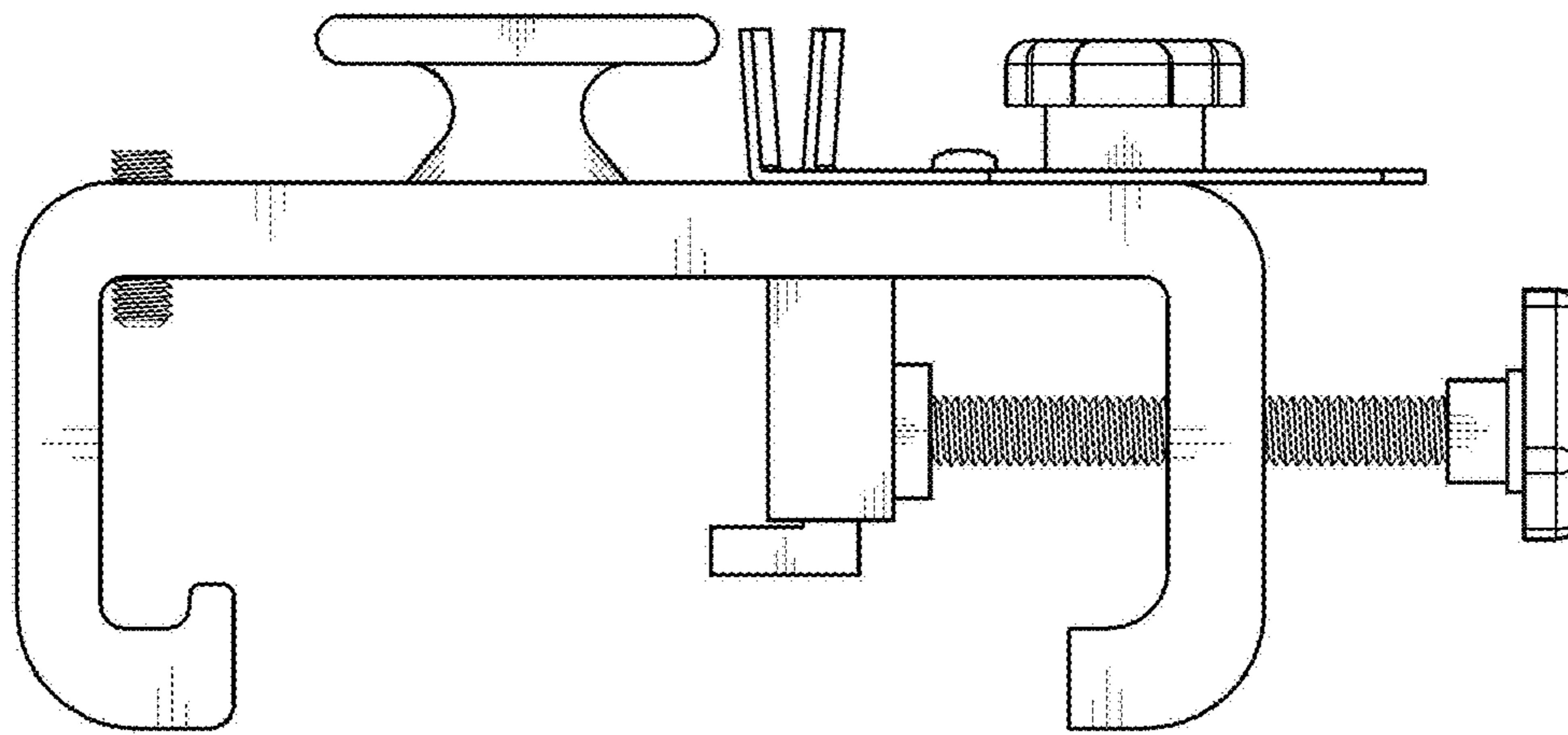


Fig. 2

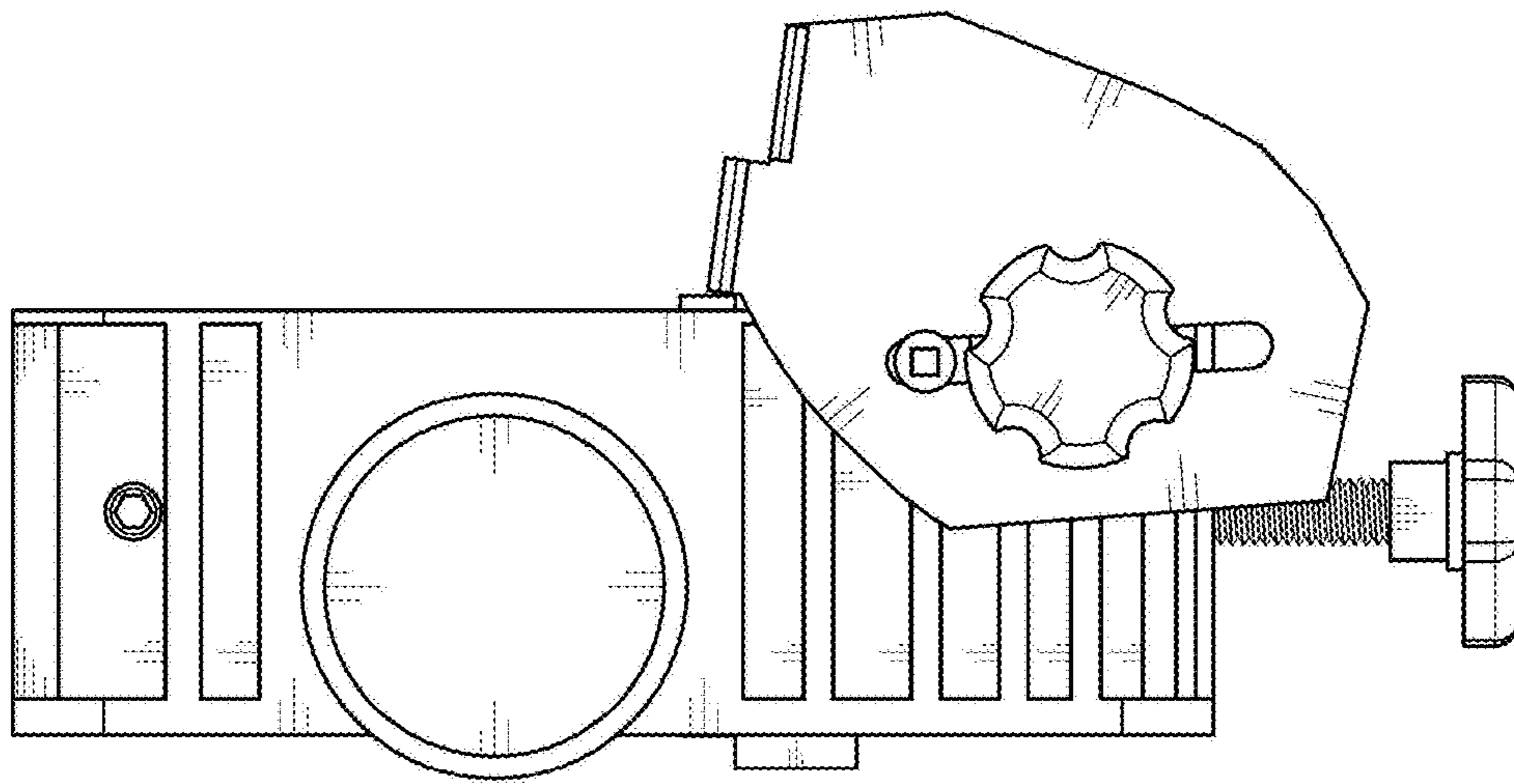


Fig. 3

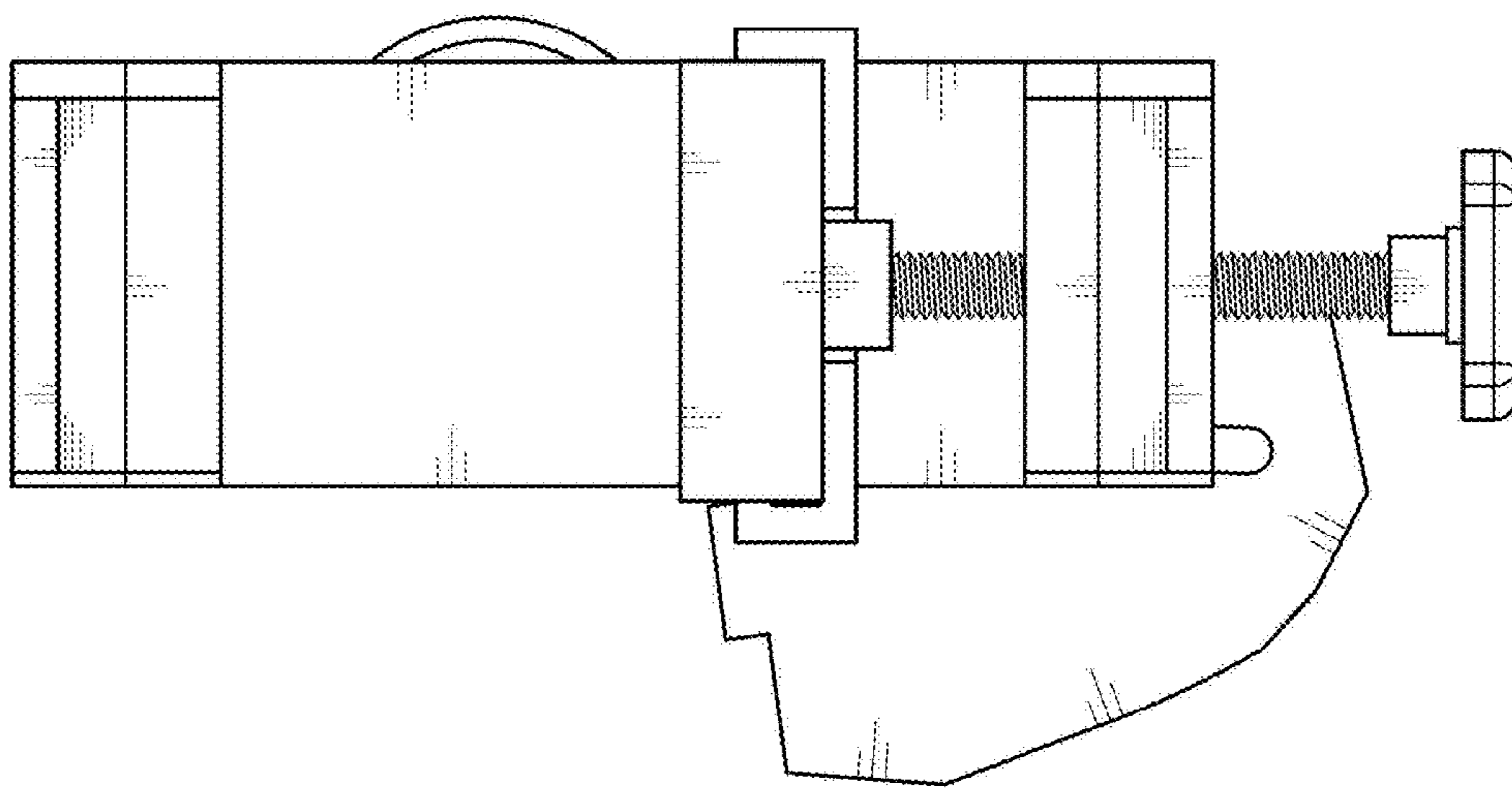


Fig. 4

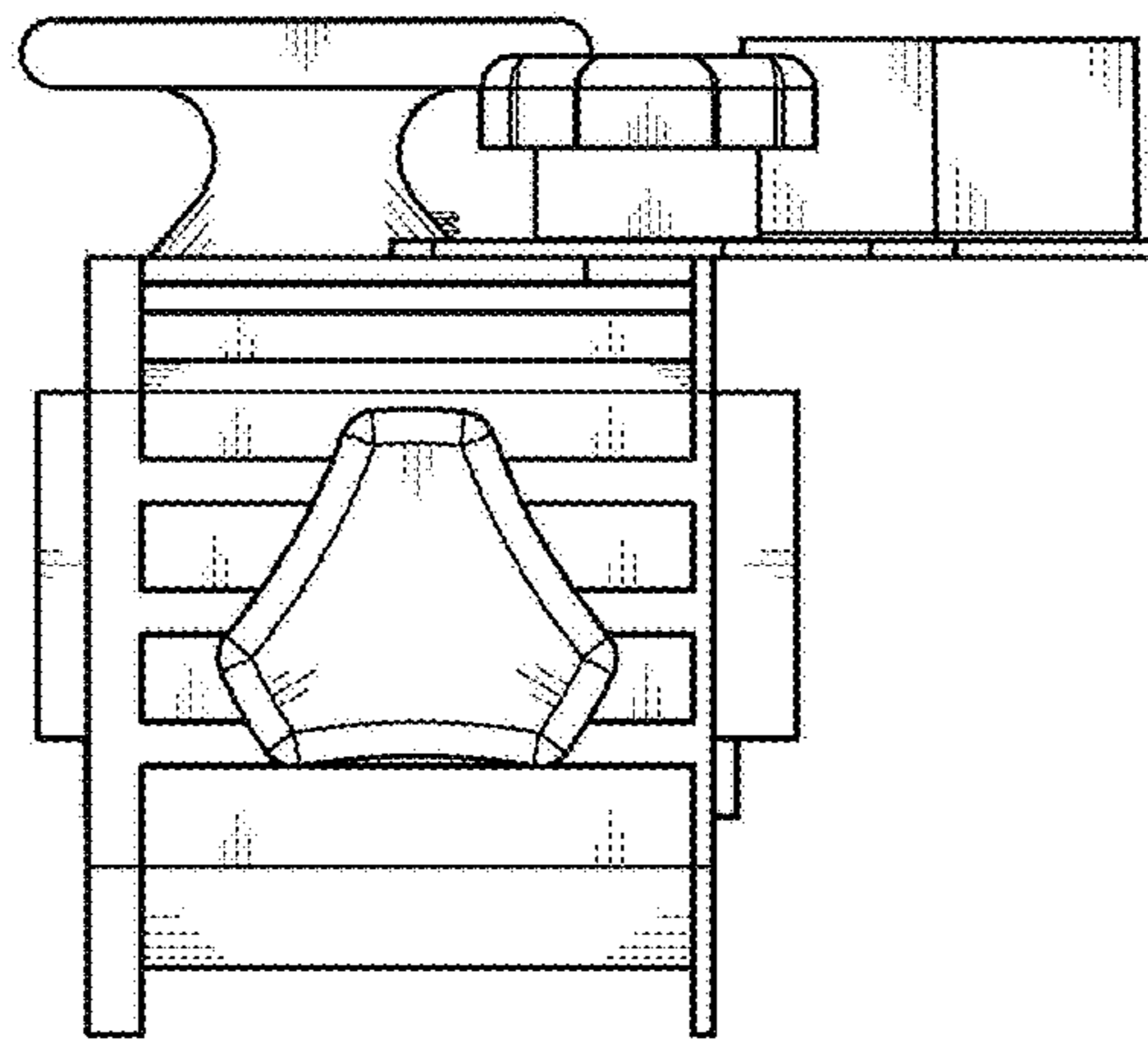


Fig. 5

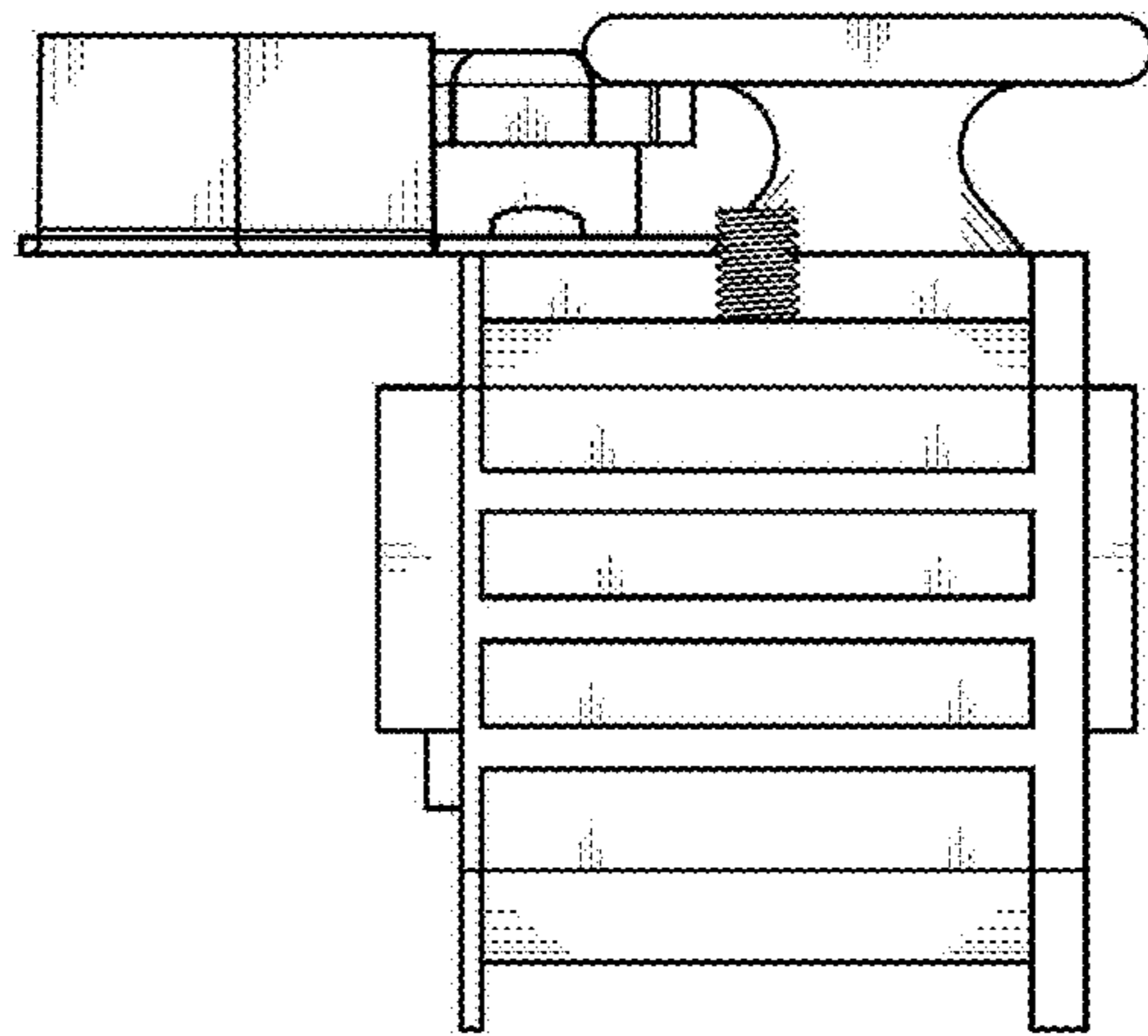


Fig. 6

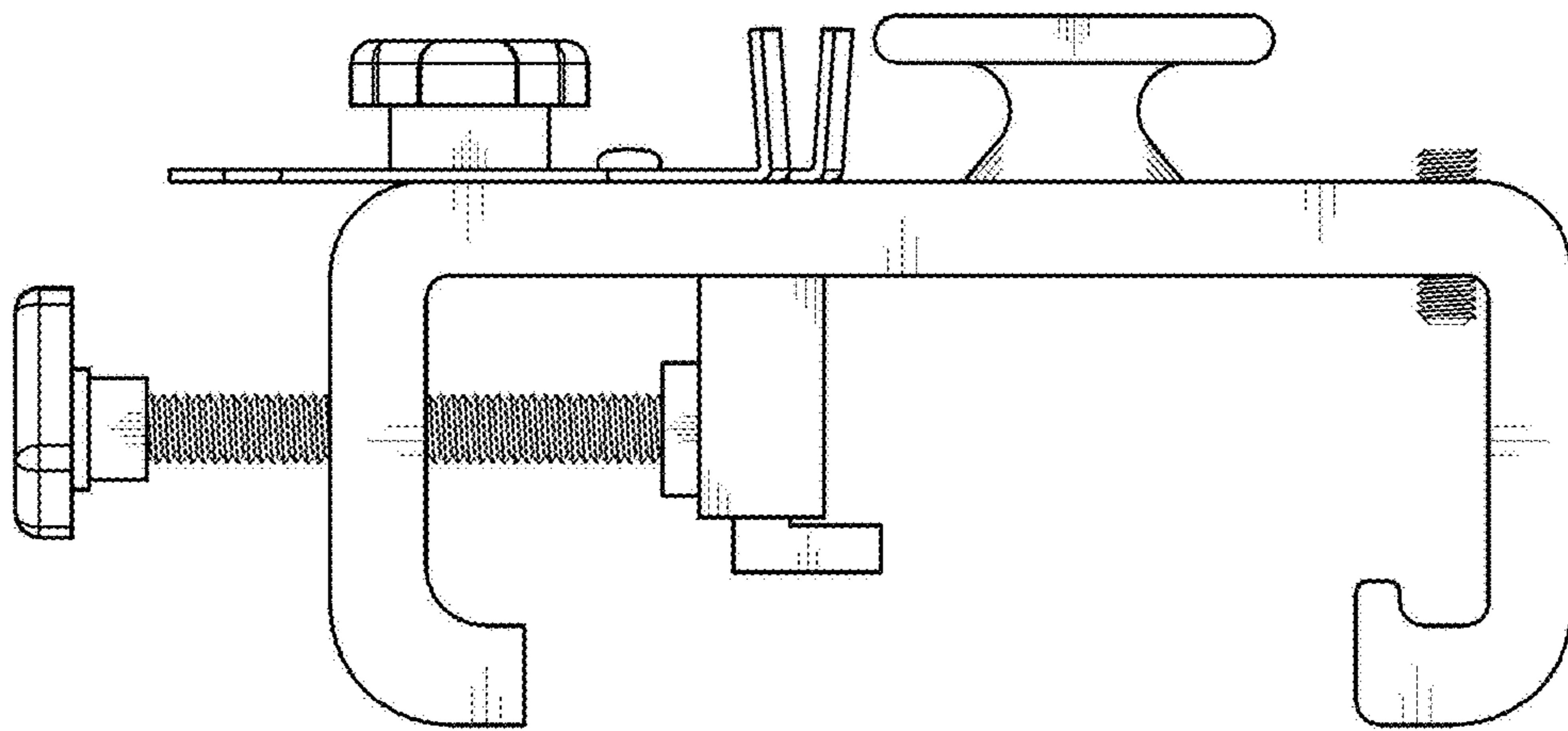


Fig. 7