

US00D846153S

(12) **United States Design Patent**  
**de Deugd et al.**

(10) **Patent No.:** **US D846,153 S**

(45) **Date of Patent:** **\*\* Apr. 16, 2019**

(54) **TRUSS**  
(71) Applicant: **PROLYTE GROUP B.V.**, Leek (NL)  
(72) Inventors: **Ruud de Deugd**, Assen (NL); **Bart Roelen**, Prinsenbeek (NL); **Gerrit de Beuze**, Zoetermeer (NL)

8,789,335 B2 \* 7/2014 Davis ..... E04H 3/24  
52/645  
D745,703 S \* 12/2015 Ivanov ..... D25/61  
9,297,159 B2 \* 3/2016 Darden ..... E04H 3/24  
9,382,714 B2 \* 7/2016 Richardson ..... E04C 3/08  
9,637,922 B1 \* 5/2017 Cook ..... E04C 3/08  
D805,656 S \* 12/2017 Huizinga ..... D25/61  
9,909,299 B2 \* 3/2018 Christie ..... E04C 3/08

(\*\*) Term: **15 Years**

**OTHER PUBLICATIONS**

(21) Appl. No.: **35/503,425**

BGR70 Rectangular Truss Length, undated; 8 pages. Found online May 16, 2018 at <https://www.prolyte.com/en/products/aluminium-truss/rectangular-truss/bgr70/length>. (Year: 2018).\*

(22) Filed: **Mar. 24, 2017**

S36R Rectangular Truss Length, undated; 5 pages. Found online May 16, 2018 at <https://www.prolyte.com/en/products/aluminium-truss/rectangular-truss/s36r-1100-rectangle-36-length-100-cm> (Year: 2018).\*

(80) **Hague Agreement Data**

Int. Filing Date: **Mar. 24, 2017**  
Int. Reg. No.: **DM/096903**  
Int. Reg. Date: **Mar. 24, 2017**  
Int. Reg. Pub. Date: **Jul. 28, 2017**

\* cited by examiner

(51) **LOC (11) Cl.** ..... **25-02**

*Primary Examiner* — Robert M. Spear  
(74) *Attorney, Agent, or Firm* — Porzio Bromberg & Newman P.C.

(52) **U.S. Cl.**  
USPC ..... **D25/61**

(58) **Field of Classification Search**  
USPC ..... D25/61; D8/354  
CPC ..... E04B 1/1903; E04B 3/08; E04B 1/18  
See application file for complete search history.

(57) **CLAIM**

The ornamental design for a truss, as shown and described.

(56) **References Cited**

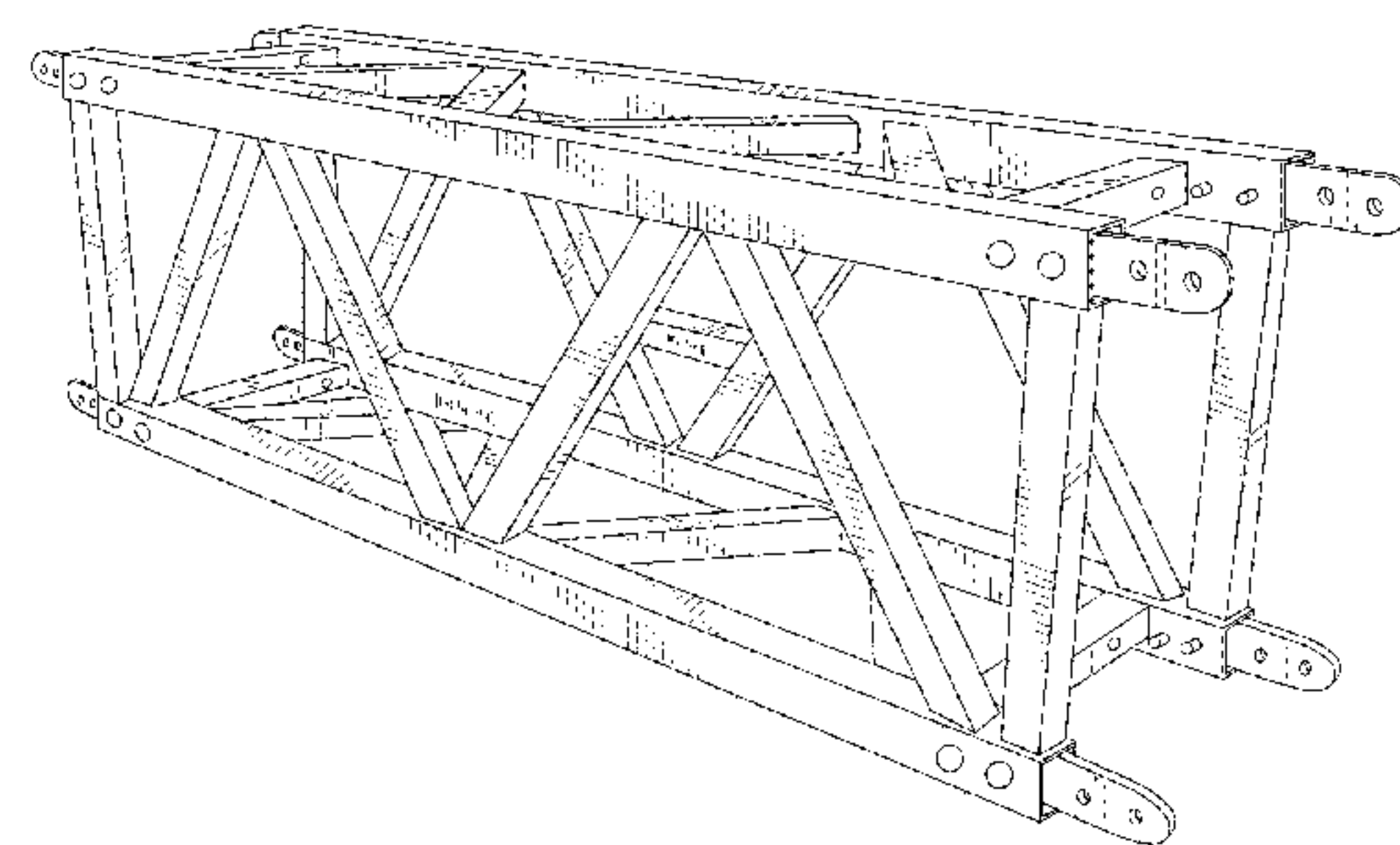
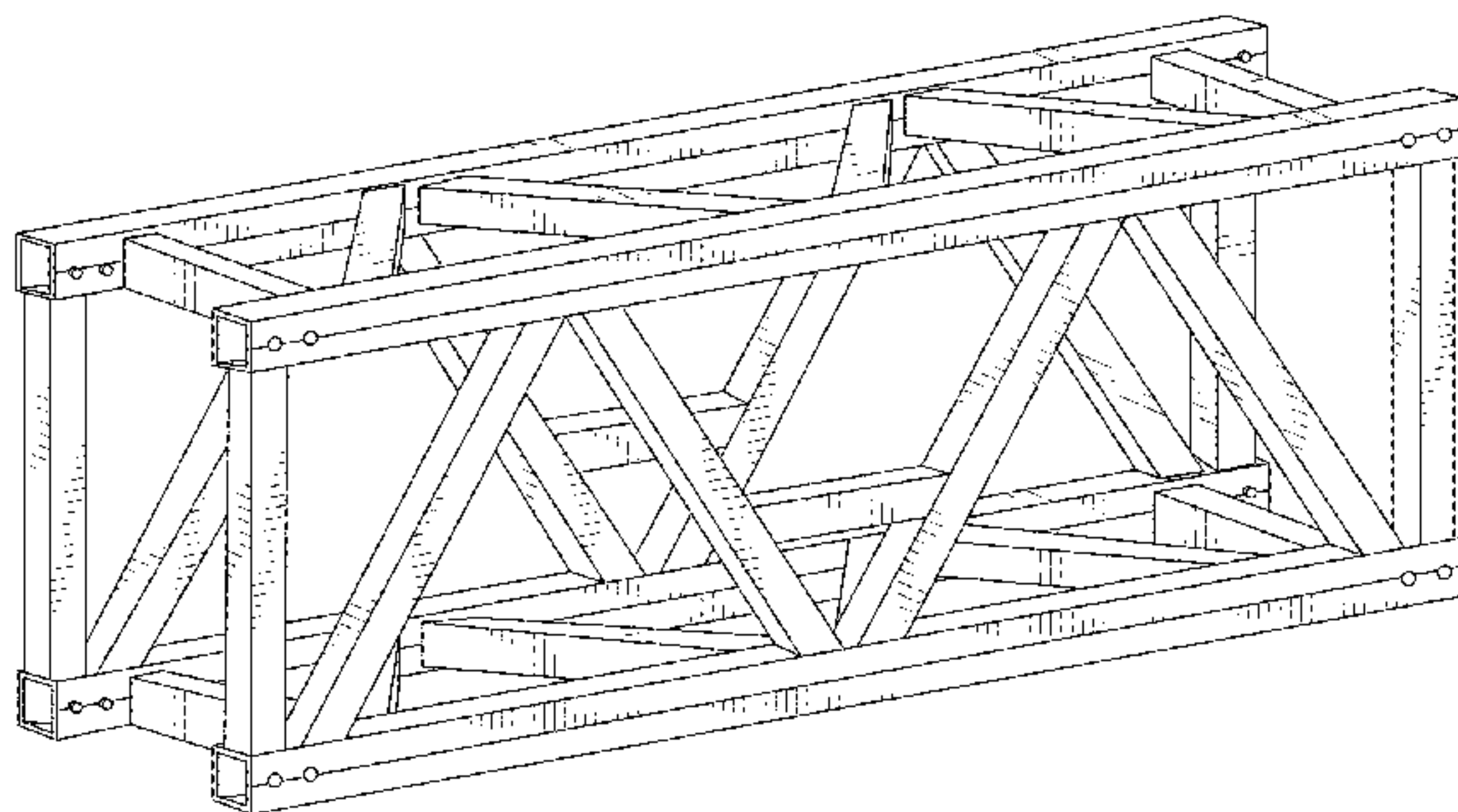
**U.S. PATENT DOCUMENTS**

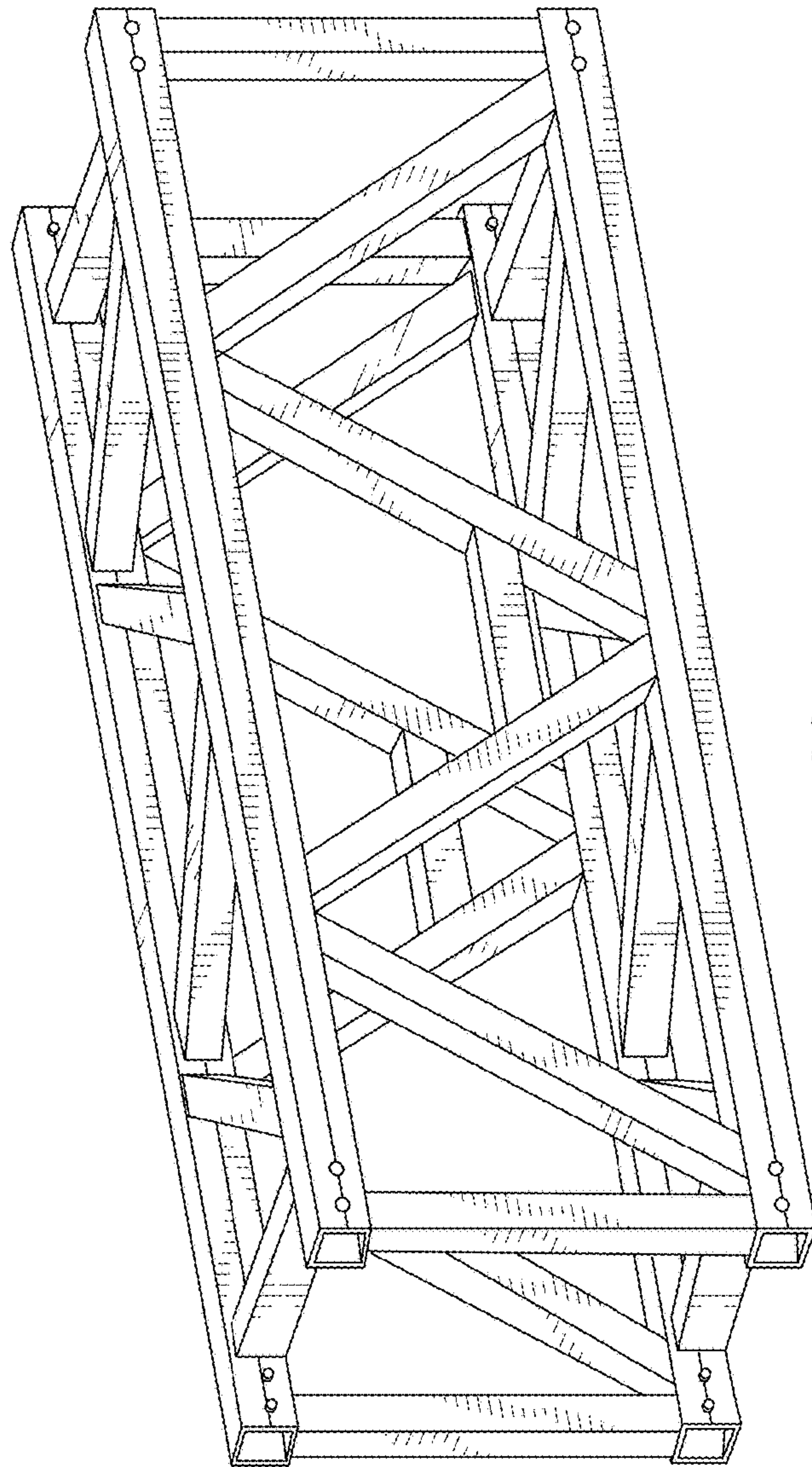
D460,565 S \* 7/2002 Darracott ..... D25/61  
D462,783 S \* 9/2002 Darracott ..... D25/61

**DESCRIPTION**

1.0-2.0 Truss  
**1.0** : Perspective  
**2.0** : Perspective

**1 Claim, 2 Drawing Sheets**





1.0

