

US00D846152S

(12) **United States Design Patent** (10) **Patent No.:** **US D846,152 S**
Cicos et al. (45) **Date of Patent:** **** Apr. 16, 2019**

- (54) **DOOR EDGE**
- (71) Applicants: **Emrah Cicos**, Sterling, VA (US);
Kubulay Avci, Sterling, VA (US)
- (72) Inventors: **Emrah Cicos**, Sterling, VA (US);
Kubulay Avci, Sterling, VA (US)
- (**) Term: **15 Years**
- (21) Appl. No.: **29/629,154**
- (22) Filed: **Dec. 12, 2017**
- (51) **LOC (11) Cl.** **25-01**
- (52) **U.S. Cl.**
USPC **D25/48.3**
- (58) **Field of Classification Search**
USPC D25/48.1, 48.3, 55, 60, 61
CPC ... F25D 23/02; E06B 1/20; E06B 1/32; E06B
9/24; E06B 9/52; E06B 9/54; E06B 9/58;
E06B 9/78
See application file for complete search history.

D757,300 S *	5/2016	Haberland	D25/48.1
D796,690 S *	9/2017	Cicos	D25/48.3
D821,608 S *	6/2018	Ray, II	D25/48.3
2015/0361718 A1 *	12/2015	Hummel	E06B 9/54 160/189

FOREIGN PATENT DOCUMENTS

CN 304067119 * 3/2017

* cited by examiner

Primary Examiner — Leanne Was-Englehart

(74) *Attorney, Agent, or Firm* — Maier & Maier, PLLC

(57) **CLAIM**

The ornamental design for a door edge, as shown and described.

DESCRIPTION

FIG. 1 is a front-right isometric view of a door edge, showing our design;
FIG. 2 is a front-left isometric view thereof;
FIG. 3 is a front elevational view thereof;
FIG. 4 is a right side elevational view thereof;
FIG. 5 is a left side elevational view thereof;
FIG. 6 is a top plan view thereof;
FIG. 7 is a bottom plan view thereof; and,
FIG. 8 is a rear elevational view thereof.

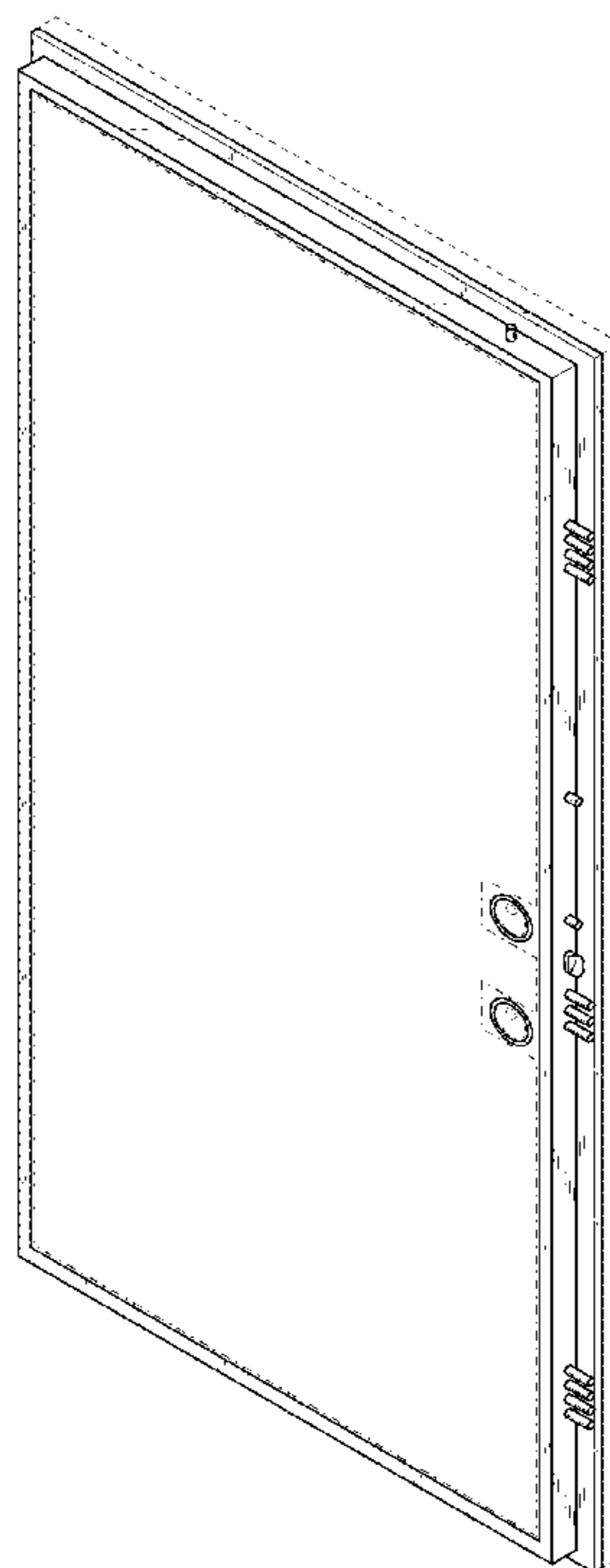
The dash-dash-dash broken line showing in the Figures illustrates the environment of the door edge and forms no part of the claimed design. The dash-dot-dash broken line showing in the Figures represents the boundaries of the claim and forms no part of the claimed design.

1 Claim, 6 Drawing Sheets

(56) **References Cited**

U.S. PATENT DOCUMENTS

D188,180 S *	6/1960	Grayboff	D25/58
3,271,919 A *	9/1966	Olton	E06B 3/88 52/717.01
3,520,085 A *	7/1970	Pond	E06B 1/20 49/505
5,161,329 A *	11/1992	Brown	E06B 1/32 49/380
D437,943 S *	2/2001	Velidedeoglu	D25/48.3
D602,169 S *	10/2009	Cooper	D25/48.3



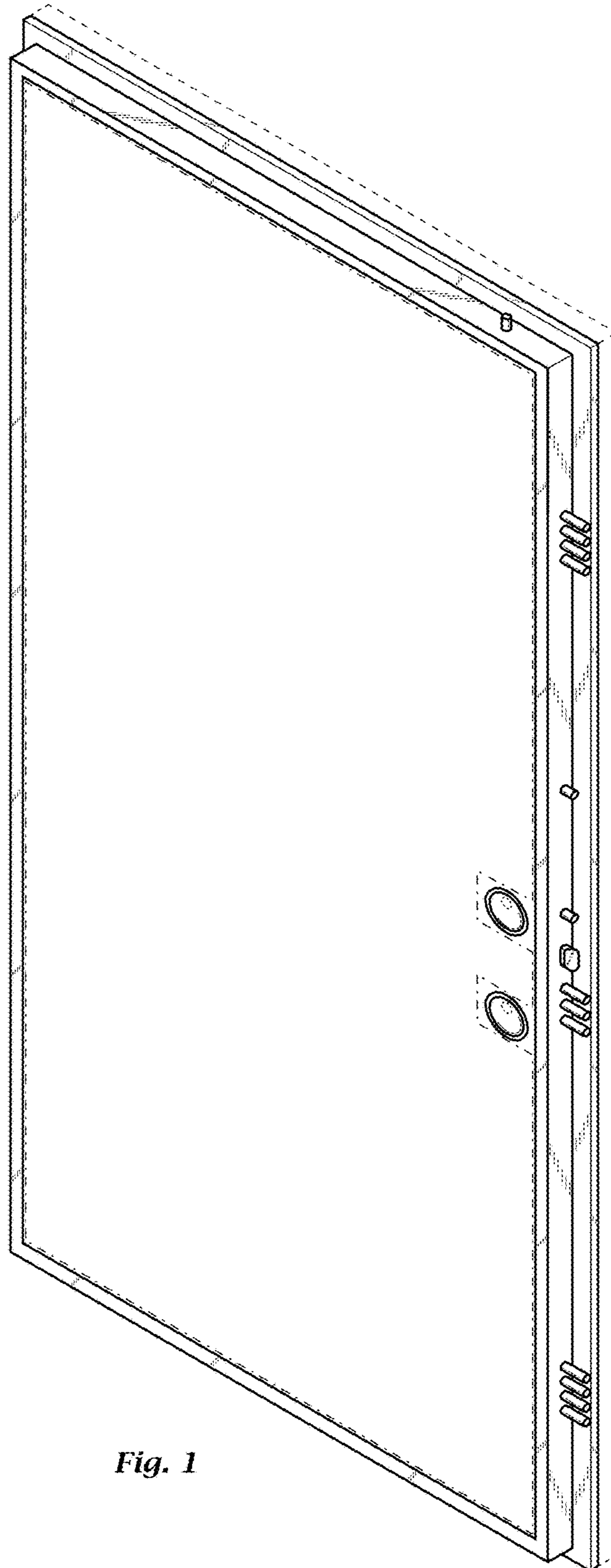


Fig. 1

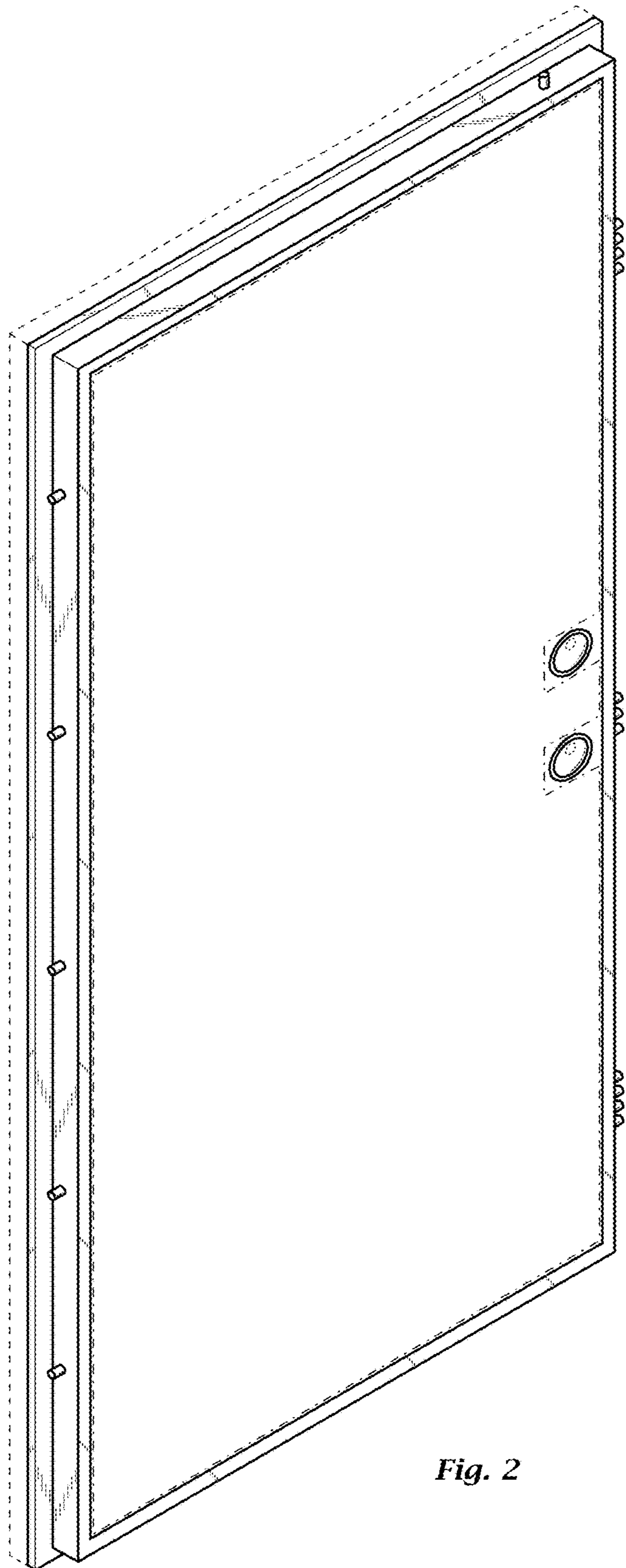


Fig. 2

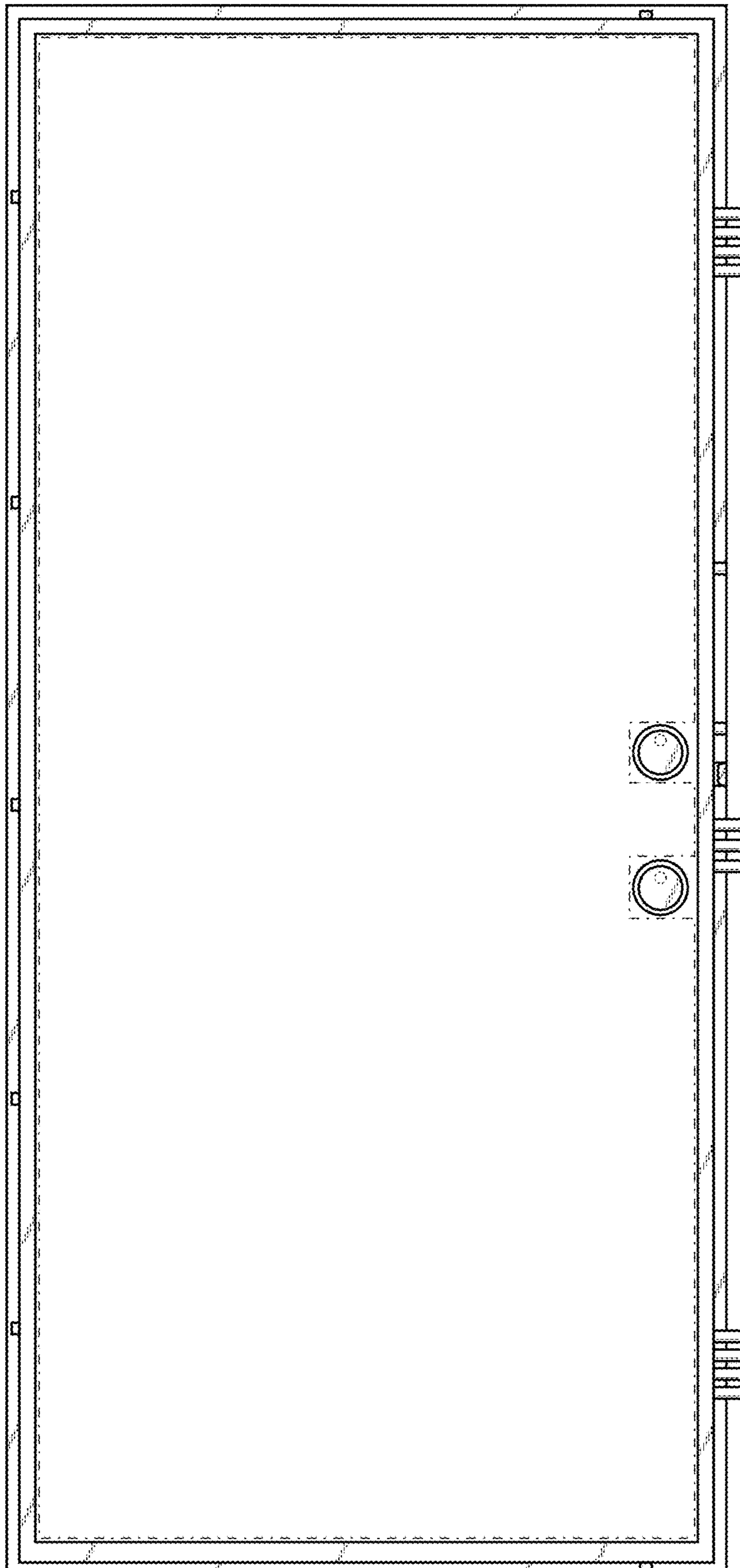


Fig. 3

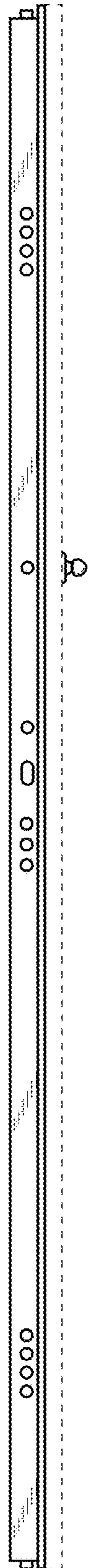


Fig. 4

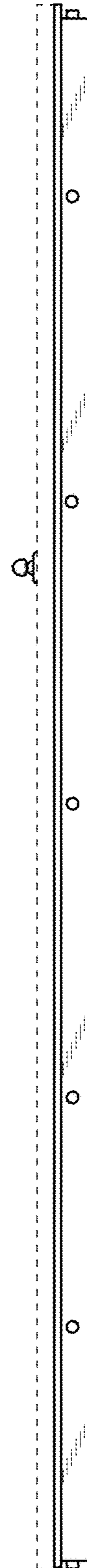


Fig. 5

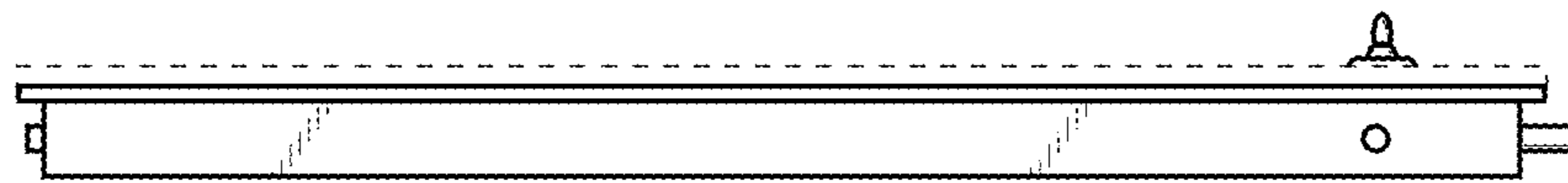


Fig. 6



Fig. 7

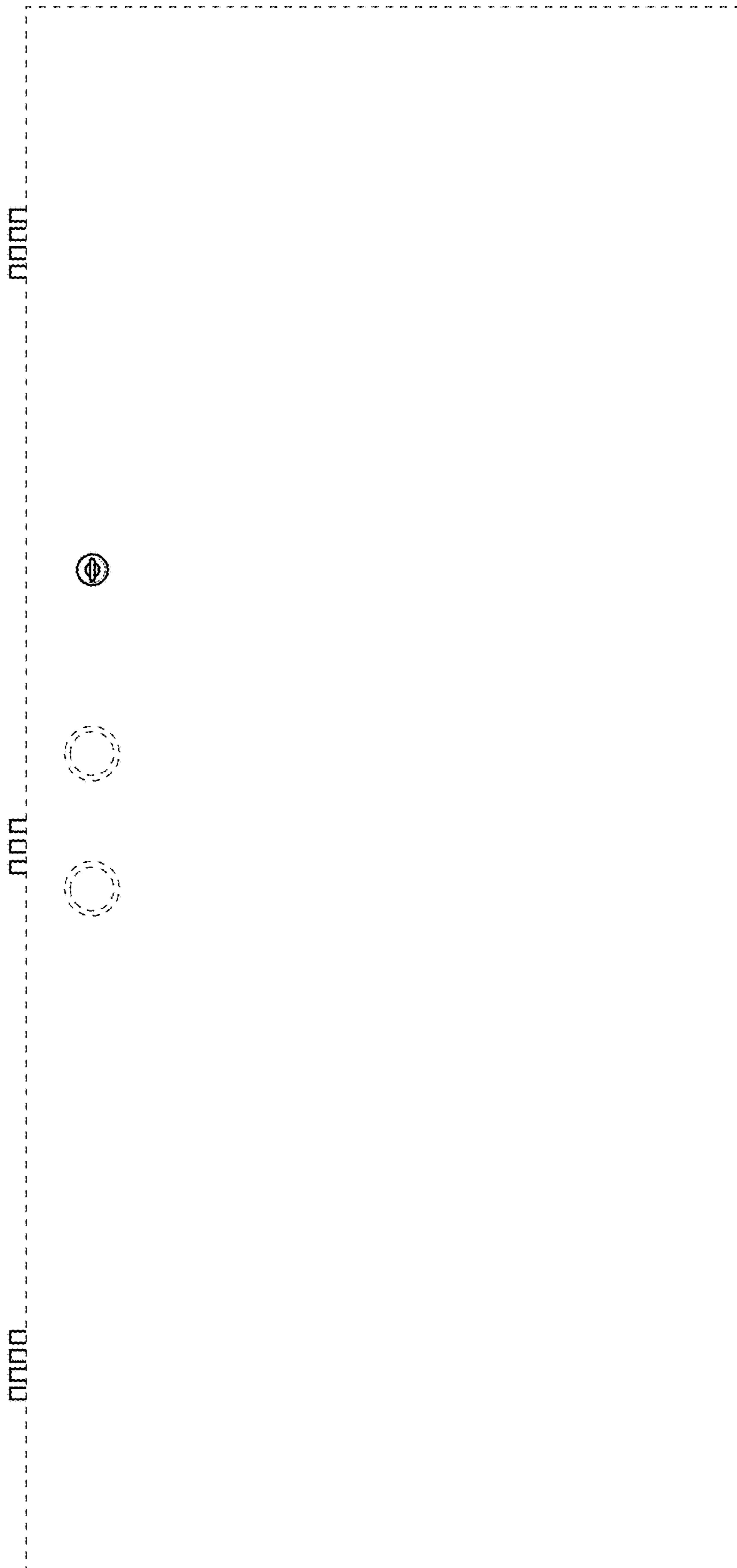


Fig. 8