

US00D846151S

(12) **United States Design Patent** (10) **Patent No.:** **US D846,151 S**
Cicos et al. (45) **Date of Patent:** **** Apr. 16, 2019**

(54) **DOOR EDGE**

FOREIGN PATENT DOCUMENTS

(71) Applicants: **Emrah Cicos**, Sterling, VA (US);
Kubulay Avci, Sterling, VA (US)

CN 304067119 * 3/2017

* cited by examiner

(72) Inventors: **Emrah Cicos**, Sterling, VA (US);
Kubulay Avci, Sterling, VA (US)

Primary Examiner — Leanne Was-Englehart

(74) *Attorney, Agent, or Firm* — Maier & Maier, PLLC

(**) Term: **15 Years**

(57) **CLAIM**

(21) Appl. No.: **29/629,153**

The ornamental design for a door edge, as shown and described.

(22) Filed: **Dec. 12, 2017**

DESCRIPTION

(51) **LOC (11) Cl.** **25-01**

(52) **U.S. Cl.**

USPC **D25/48.3**

(58) **Field of Classification Search**

USPC D25/48.1, 48.3, 55, 60, 61
CPC ... F25D 23/02; E06B 1/20; E06B 1/32; E06B
9/24; E06B 9/52; E06B 9/54; E06B 9/58;
E06B 9/78

See application file for complete search history.

FIG. 1 is a front-right isometric view of a first embodiment of a door edge, showing our design; FIG. 2 is a front-left isometric view thereof; FIG. 3 is a front elevational view thereof; FIG. 4 is a right side elevational view thereof; FIG. 5 is a left side elevational view thereof; FIG. 6 is a top plan view thereof; FIG. 7 is a bottom plan view thereof; FIG. 8 is a rear elevational view thereof; FIG. 9 is a front-right isometric view of a second embodiment of a door edge; FIG. 10 is a front-left isometric view thereof; FIG. 11 is a front elevational view thereof; FIG. 12 is a right side elevational view thereof; FIG. 13 is a left side elevational view thereof; FIG. 14 is a top plan view thereof; FIG. 15 is a bottom plan view thereof; and, FIG. 16 is a rear elevational view thereof.

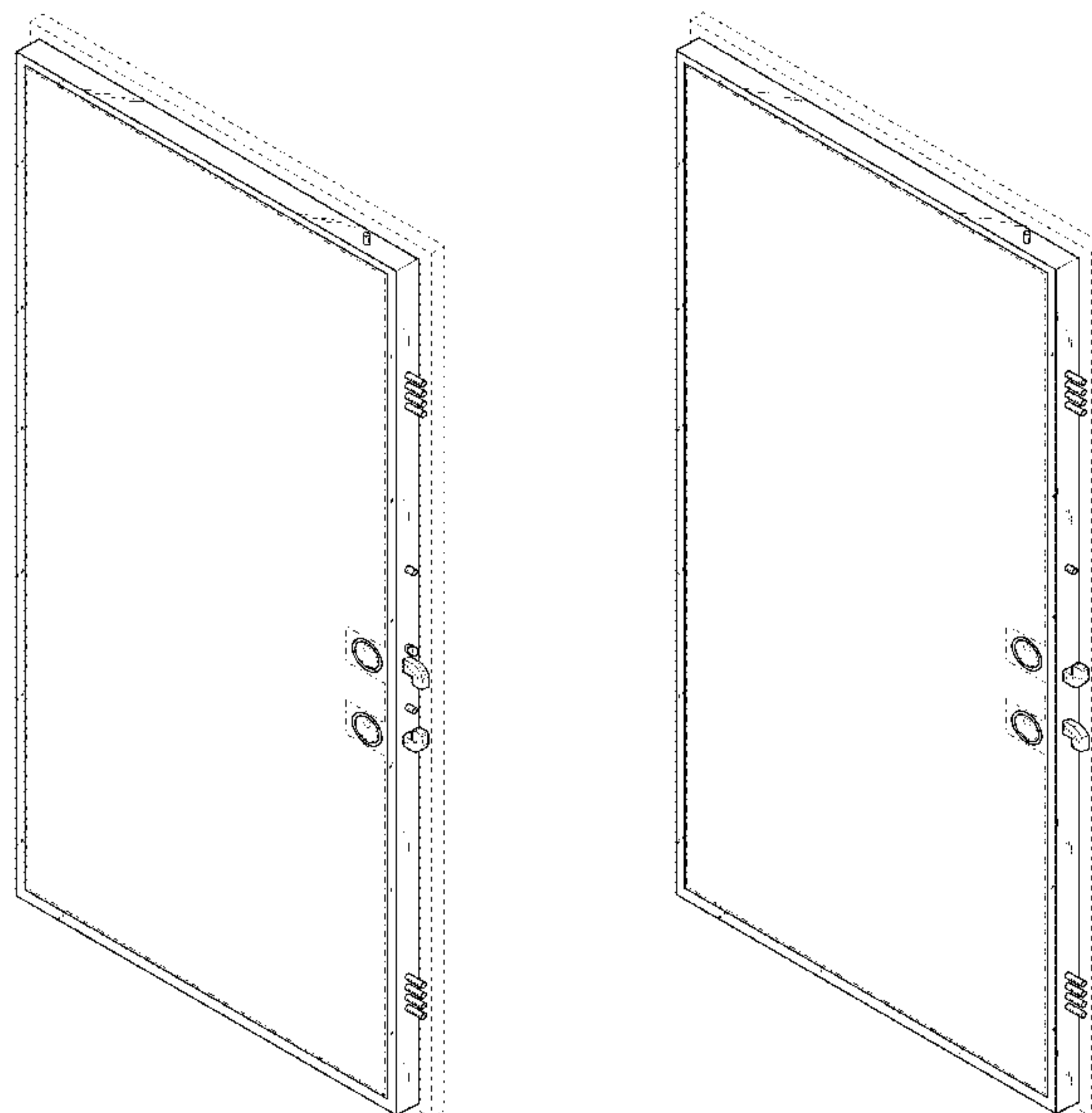
(56) **References Cited**

U.S. PATENT DOCUMENTS

D188,180 S * 6/1960 Grayboff D25/58
3,271,919 A * 9/1966 Olton E06B 3/88
52/717.01
3,520,085 A * 7/1970 Pond E06B 1/20
49/505
5,161,329 A * 11/1992 Brown E06B 1/32
49/380
D437,943 S * 2/2001 Velidedeoglu D25/48.3
D602,169 S * 10/2009 Cooper D25/48.3
D757,300 S * 5/2016 Haberland D25/48.1
D796,690 S * 9/2017 Cicos D25/48.3
D821,608 S * 6/2018 Ray, II D25/48.3
2015/0361718 A1 * 12/2015 Hummel E06B 9/54
160/189

The dash-dash-dash broken line showing in the Figures illustrates the environment of the door edge and forms no part of the claimed design. The dash-dot-dash broken line showing in the Figures represents the boundaries of the claim and forms no part of the claimed design.

1 Claim, 12 Drawing Sheets



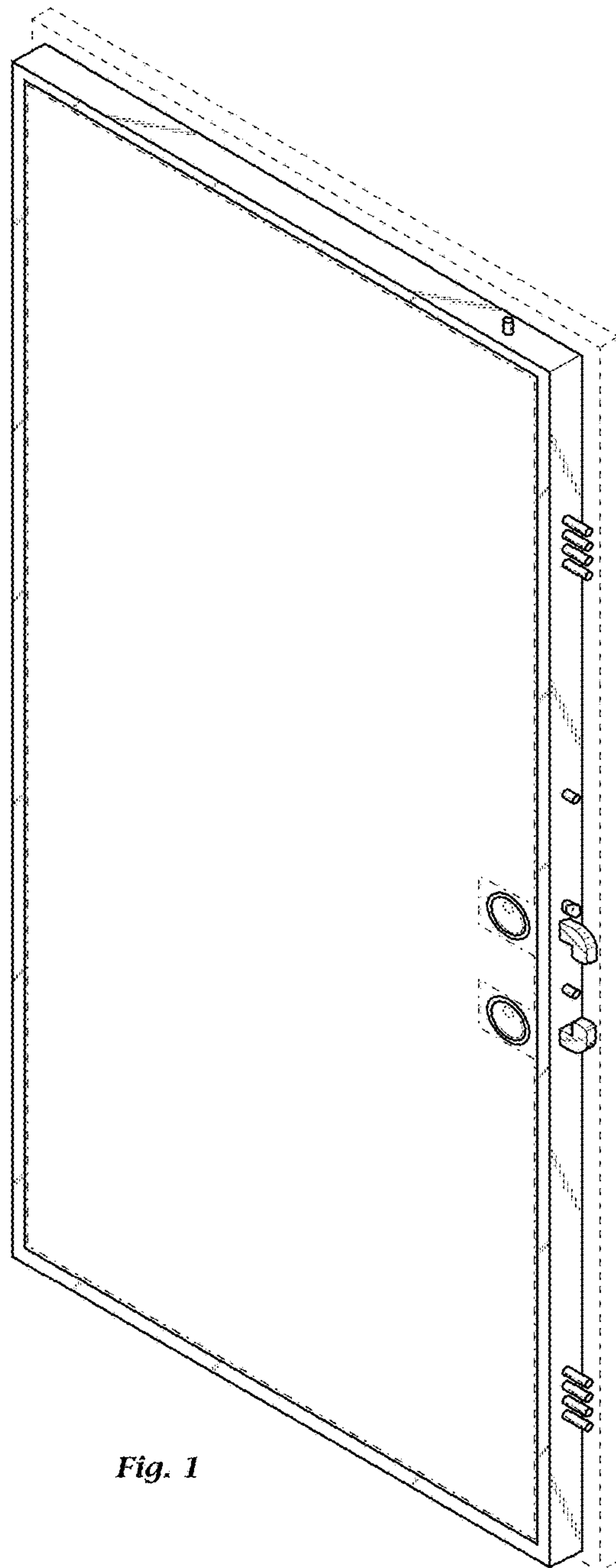


Fig. 1

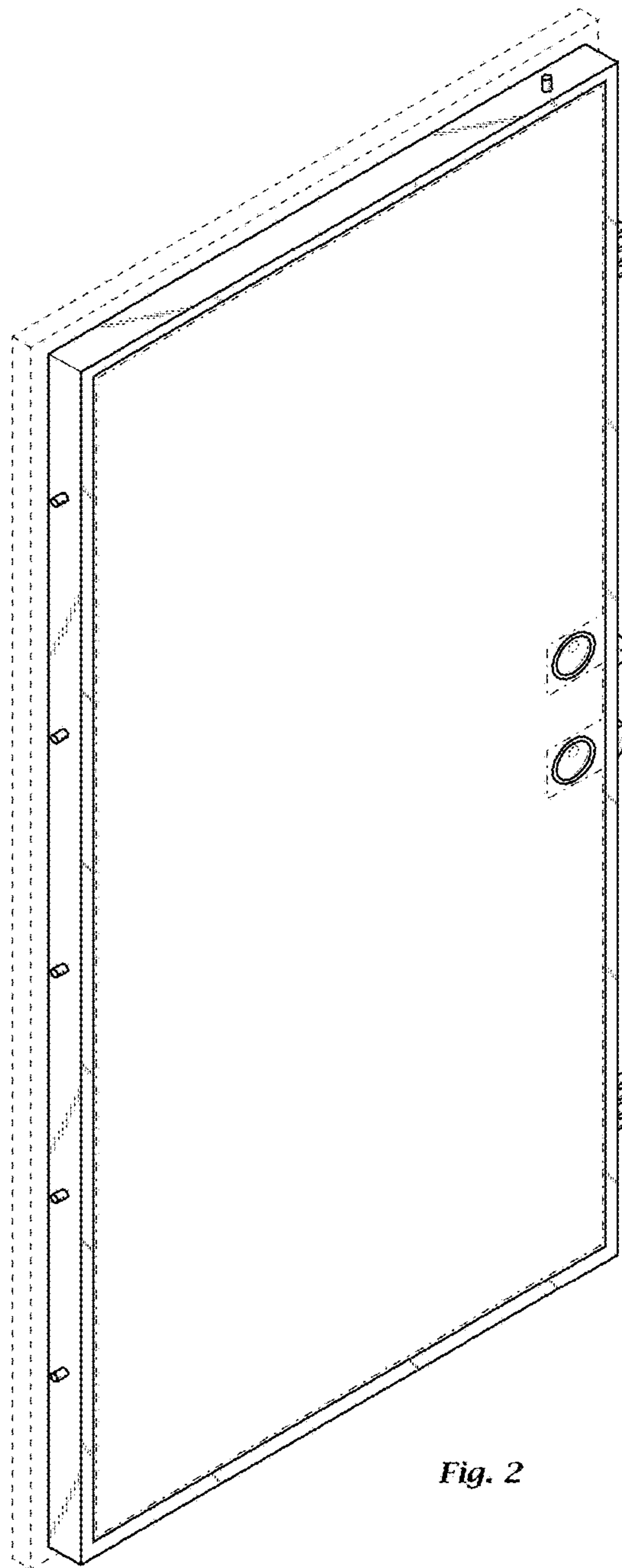


Fig. 2

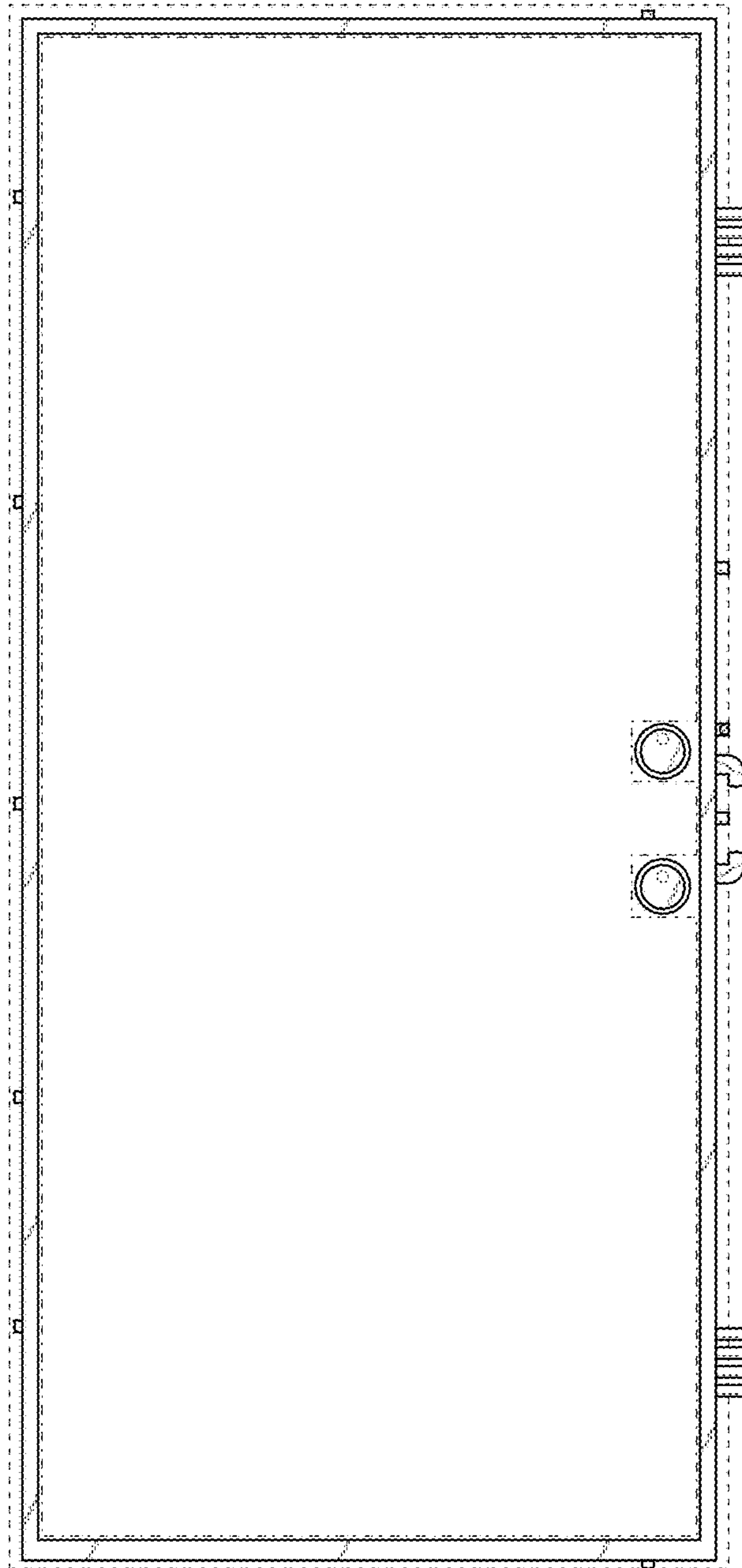


Fig. 3

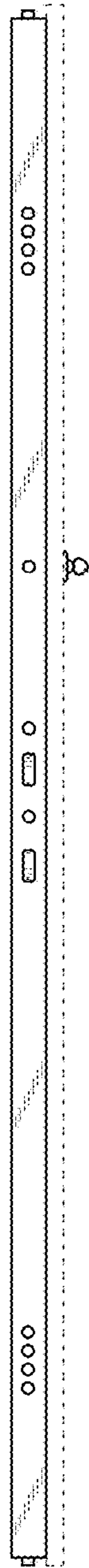


Fig. 4

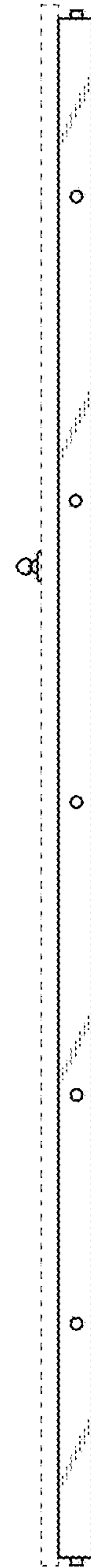


Fig. 5

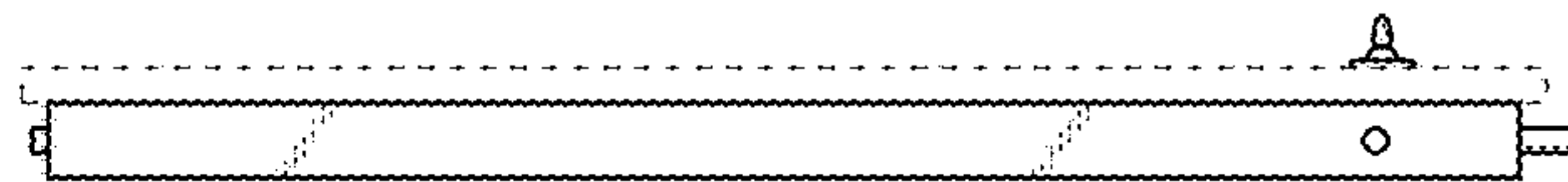


Fig. 6

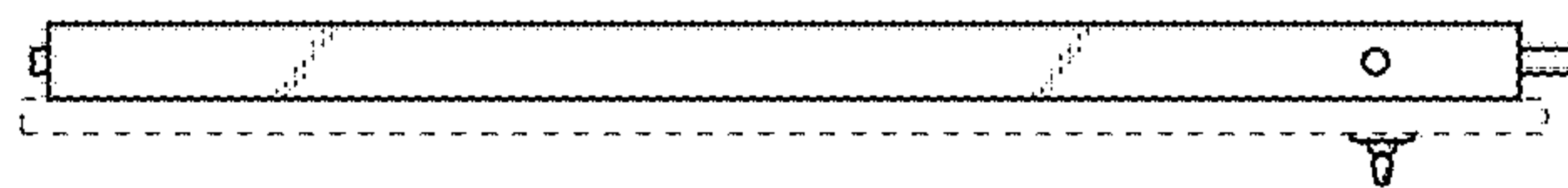


Fig. 7

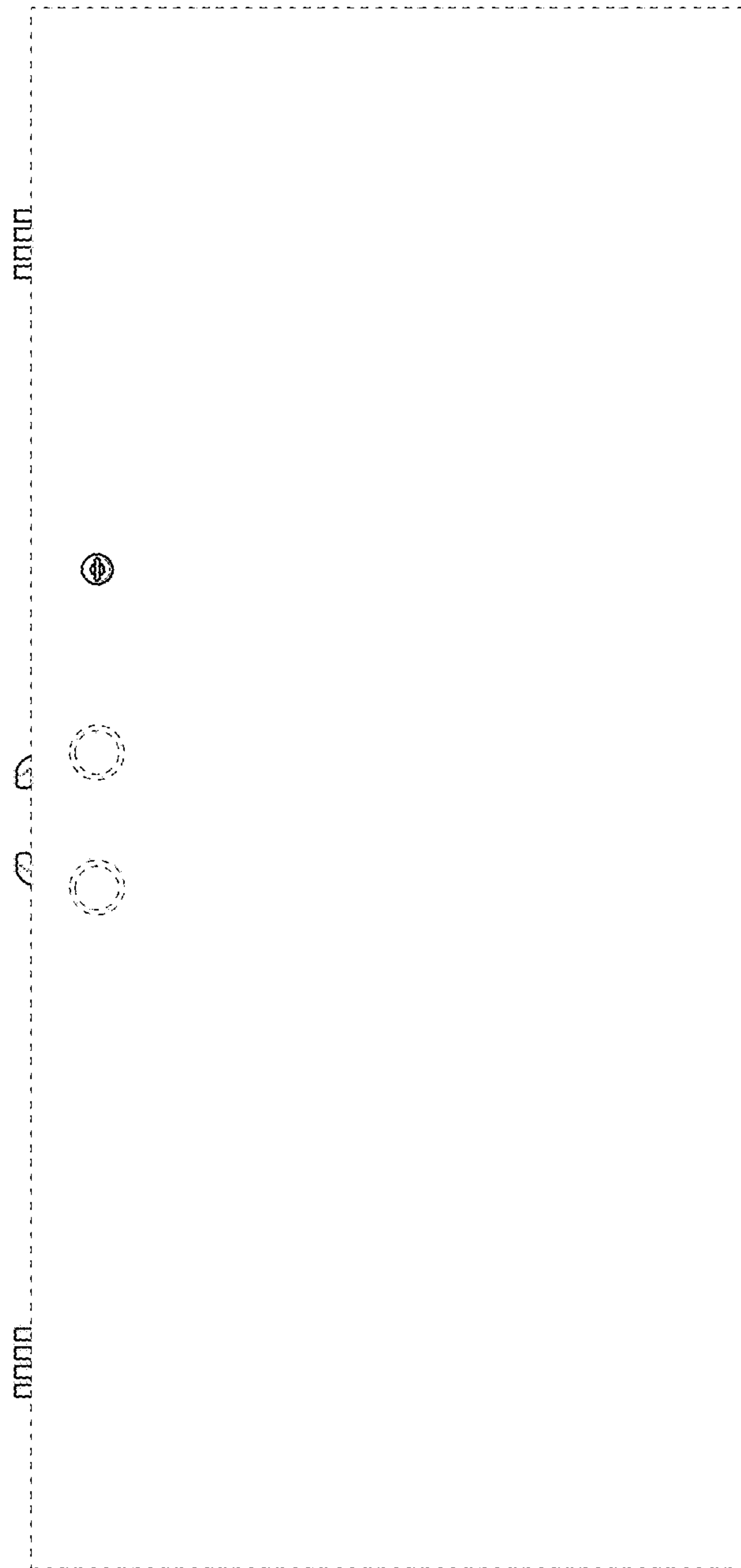


Fig. 8

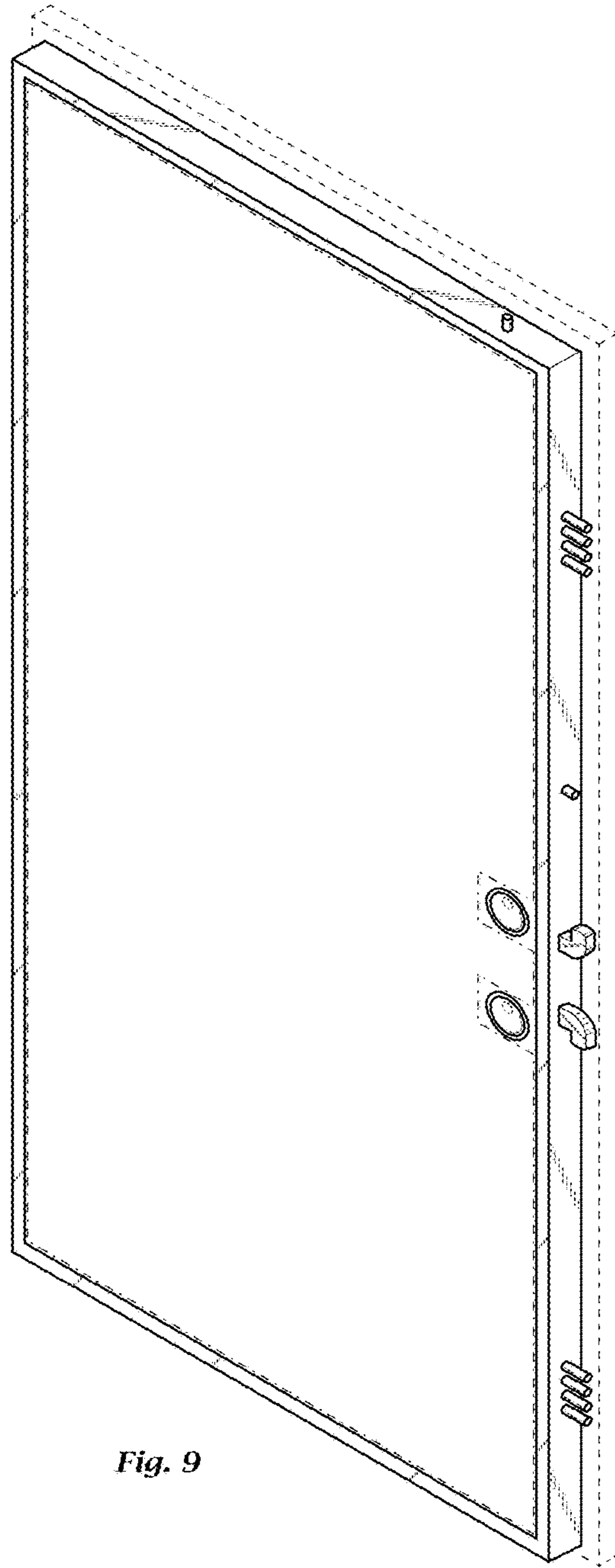


Fig. 9

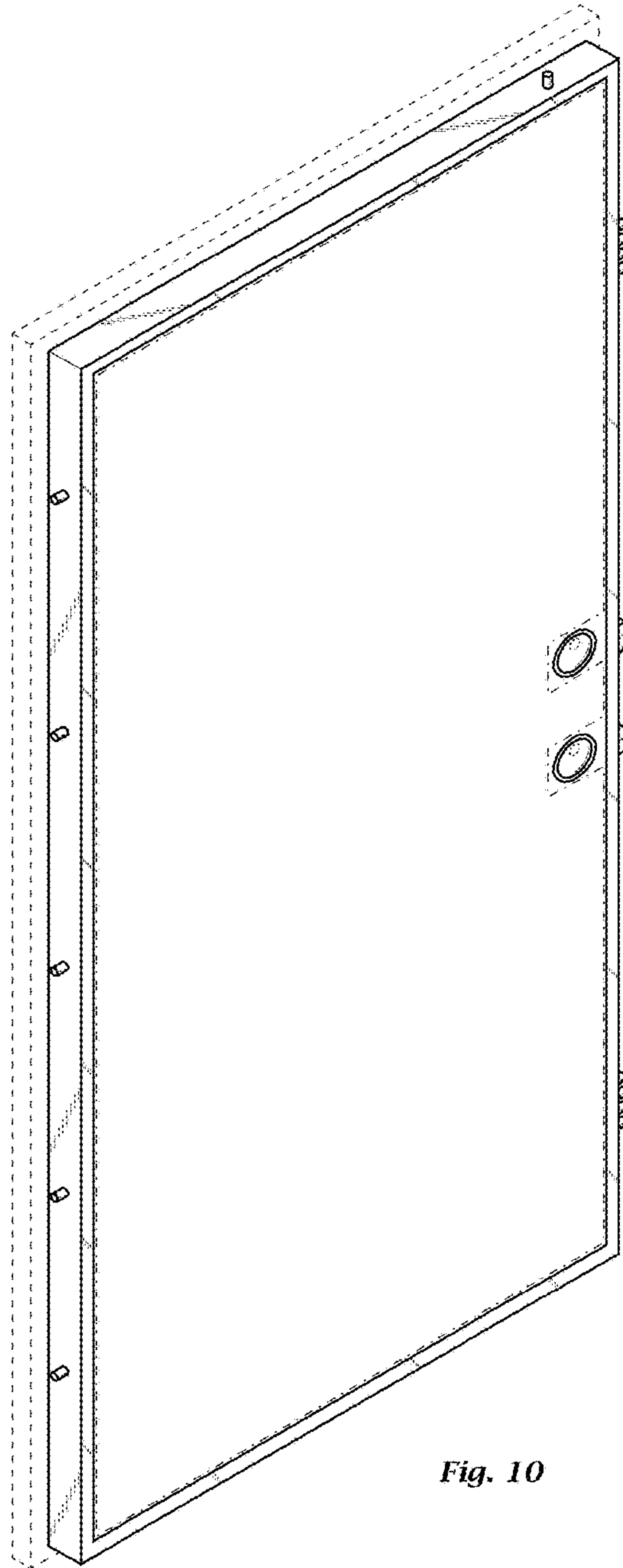


Fig. 10

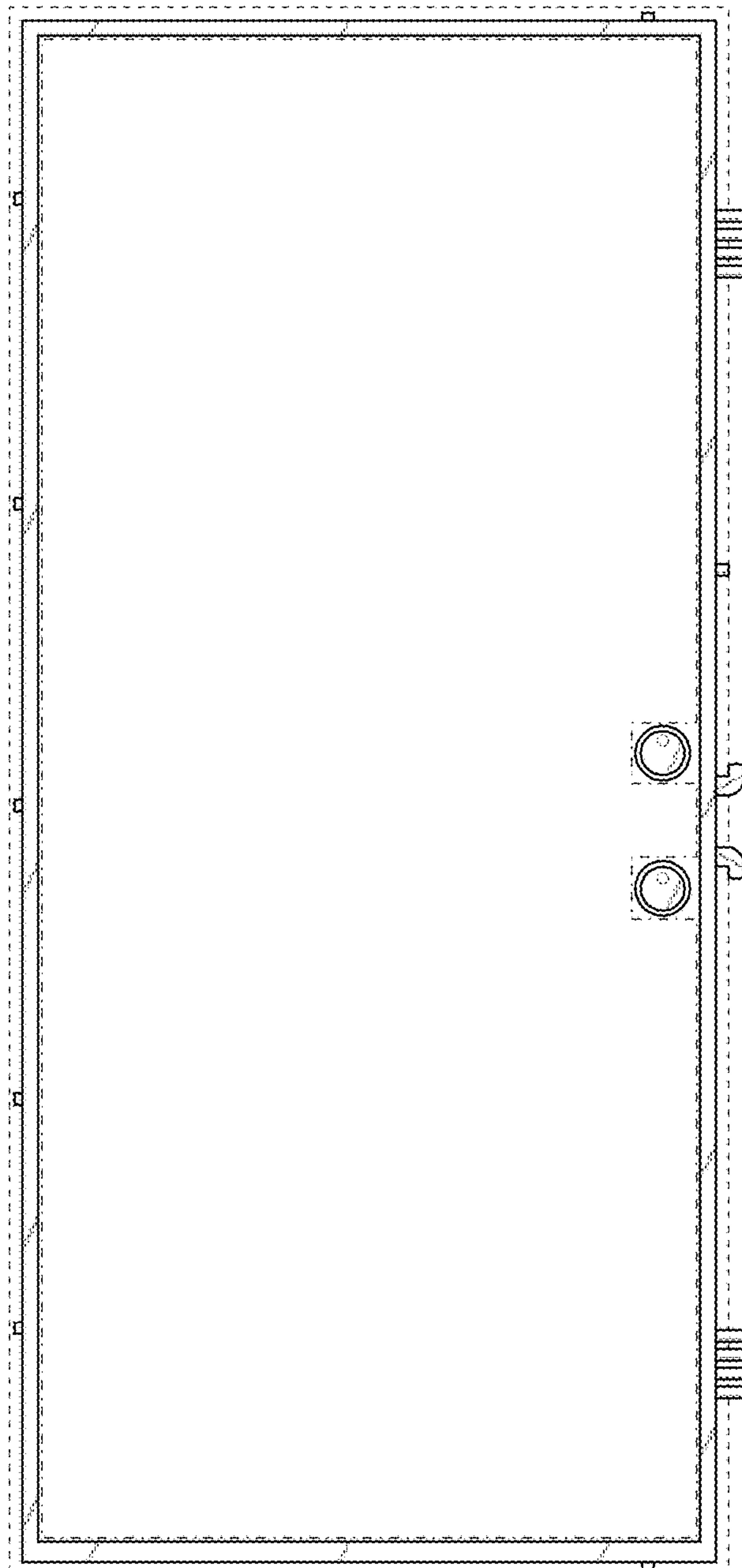


Fig. 11

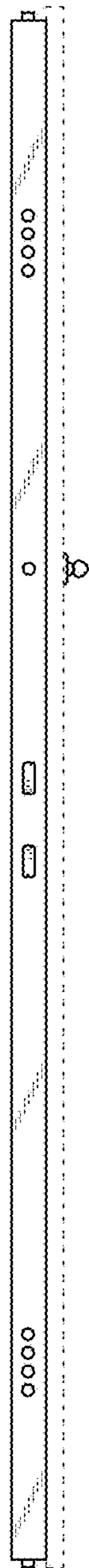


Fig. 12

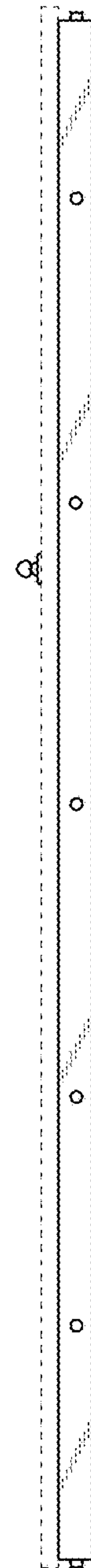


Fig. 13

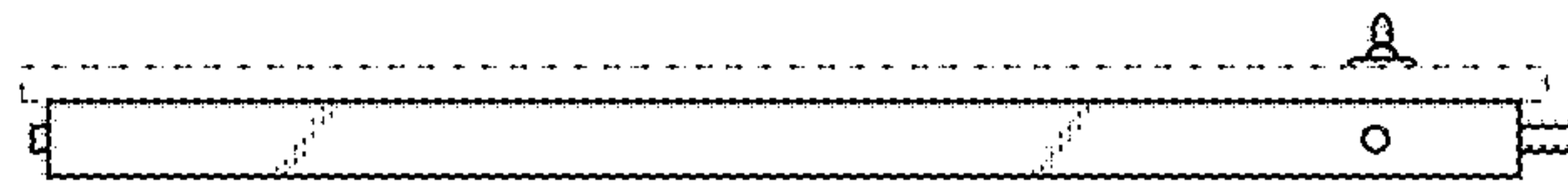


Fig. 14

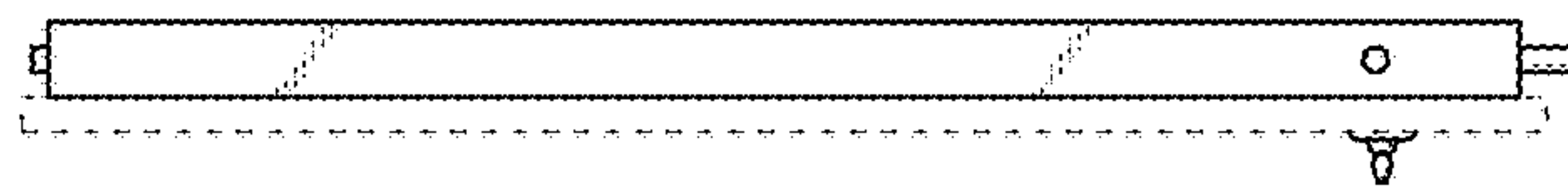


Fig. 15

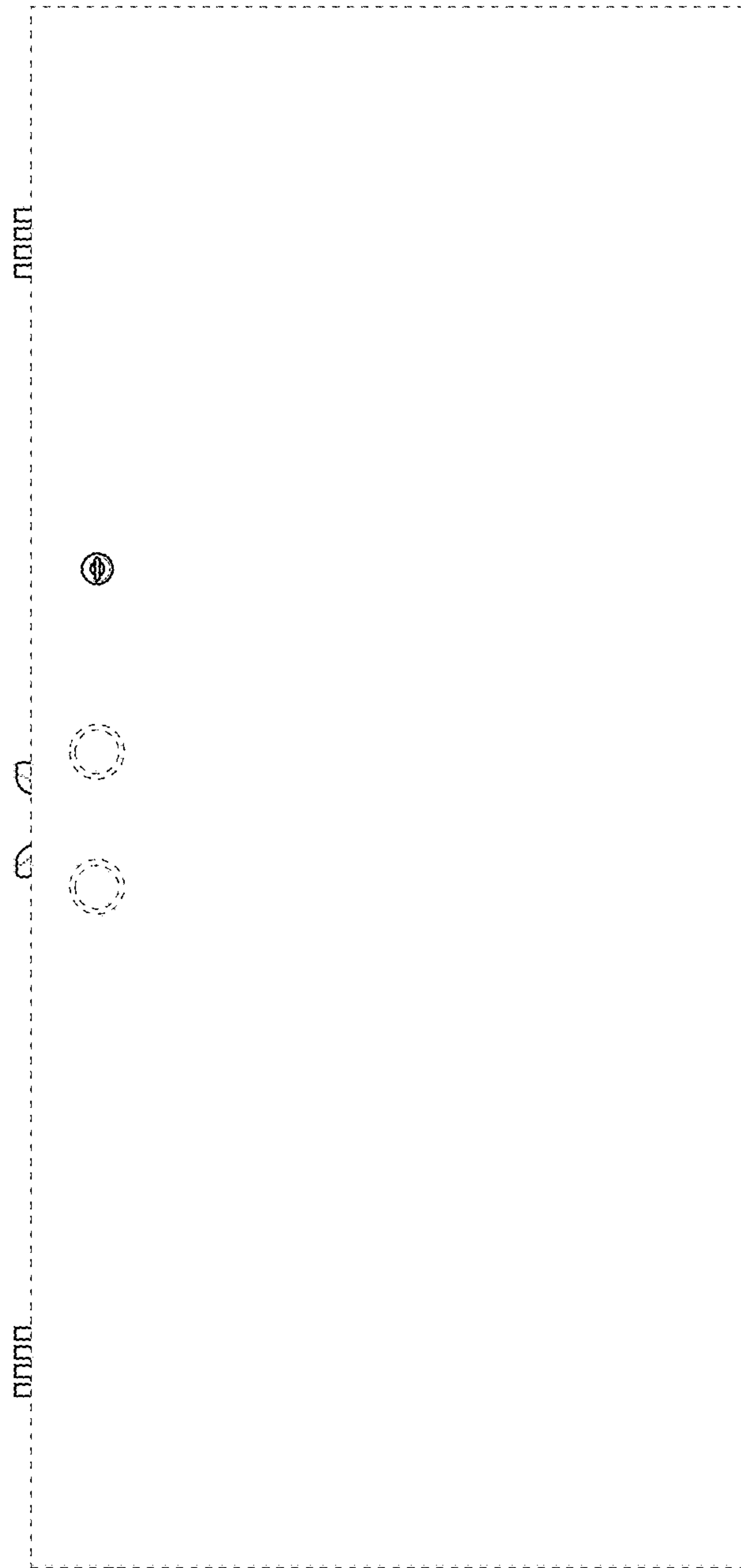


Fig. 16