



US00D846144S

(12) **United States Design Patent**  
**Fawdington et al.**

(10) **Patent No.:** **US D846,144 S**  
(45) **Date of Patent:** **\*\* Apr. 16, 2019**

(54) **TRAY FOR SYRINGES AND AMPOULES**

**DESCRIPTION**

(71) Applicant: **Uvamed Ltd.**, Loughborough OT (GB)

(72) Inventors: **Keith Fawdington**, Loughborough (GB); **Shashi Gupta**, Loughborough (GB)

(73) Assignee: **Uvamed Inc.**, Davenport, FL (US)

(\*\*) Term: **15 Years**

(21) Appl. No.: **29/543,711**

(22) Filed: **Oct. 27, 2015**

(51) **LOC (11) Cl.** ..... **24-02**

(52) **U.S. Cl.**  
USPC ..... **D24/224**

(58) **Field of Classification Search**  
USPC ..... D24/216, 224–227, 229, 231–233;  
D3/203.1–203.8, 304, 313; D7/553.3;  
D9/425, 431, 432, 456, 520, 732  
CPC . A61L 2/00; A61L 2/0011; A61L 2/06; A61L  
2/10; A61L 2/26; A61M 1/3693; A61M  
25/002; B01F 11/0022; B01F 11/0266;  
B01J 19/0046; B01L 3/0275; B01L 3/50;  
B01L 3/52; B01L 3/502; B01L  
(Continued)

(56) **References Cited**

**U.S. PATENT DOCUMENTS**

2,900,120 A \* 8/1959 Wichman ..... B65D 5/4804  
229/120.24  
3,013,656 A \* 12/1961 Murphy, Jr. .... A61J 7/0069  
206/223

(Continued)

*Primary Examiner* — Ian Simmons  
*Assistant Examiner* — Samantha Q. Lawrence

(74) *Attorney, Agent, or Firm* — Hoffmann & Baron, LLP

(57) **CLAIM**

The ornamental design for the tray for syringes and ampoules, as shown and described.

FIG. 1 is a perspective view of a transparent outer tray of the tray for syringes and ampoules, showing a pair of curved partition walls;

FIG. 2 is a front elevational view of the outer tray shown in FIG. 1, with a rear elevational view being a mirror image thereof;

FIG. 3 is a left side elevational view of the outer tray shown in FIG. 1;

FIG. 4 is a right side elevational view of the outer tray shown in FIG. 1;

FIG. 5 is a top plan view of the outer tray shown in FIG. 1;

FIG. 6 is a bottom plan view of the outer tray shown in FIG. 1;

FIG. 7 is a perspective view of a transparent inner tray of the tray for syringes and ampoules;

FIG. 8 is a front elevational view of an inner tray shown in FIG. 7, with a rear elevational view being a mirror image thereof;

FIG. 9 is a left side elevational view of the inner tray shown in FIG. 7;

FIG. 10 is a right side elevational view of the inner tray shown in FIG. 7;

FIG. 11 is a top plan view of the inner tray shown in FIG. 7;

FIG. 12 is a bottom plan view of the inner tray shown in FIG. 7;

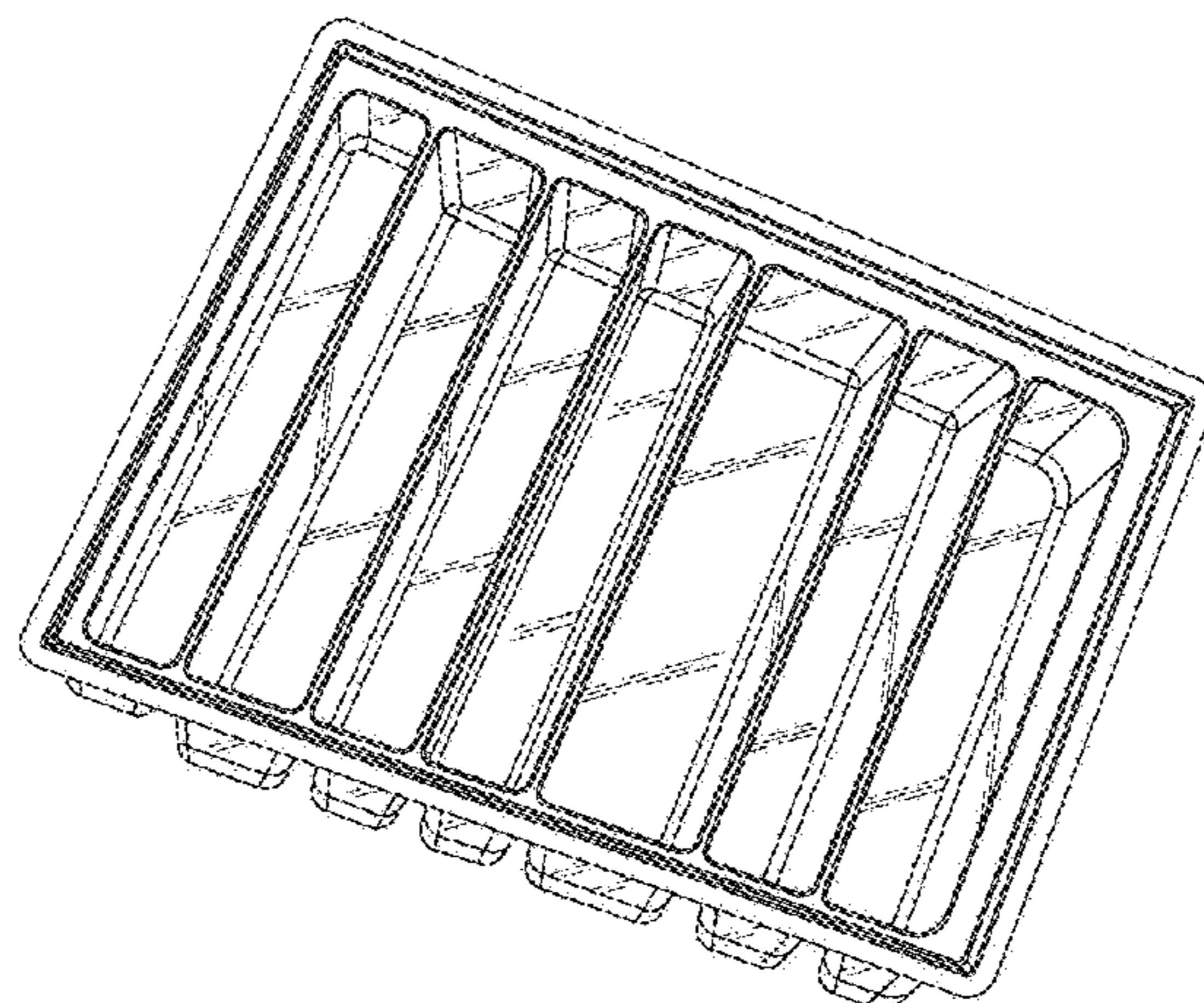
FIG. 13 is a perspective view of the tray for syringes and ampoules, showing the inner tray positioned within the outer tray;

FIG. 14 is a top plan view of the tray for syringes and ampoules shown in FIG. 13;

FIG. 15 is a side cross-sectional view of the inner tray shown in FIGS. 7-12; and,

FIG. 16 is a side cross-sectional view of the tray for syringes and ampoules shown in FIGS. 13 and 14.

**1 Claim, 16 Drawing Sheets**



(58) **Field of Classification Search**

CPC ..... 3/5021; B01L 3/5025; B01L 3/502715;  
 B01L 3/505; B01L 3/508; B01L 3/5023;  
 B01L 3/50255; B01L 3/502761; B01L  
 3/502707; B01L 3/5082; B01L 3/50825;  
 B01L 3/5085; B01L 3/50851; B01L  
 3/50855; B01L 3/50853; B01L 3/523;  
 B01L 3/527; B01L 3/545; B01L 7/00;  
 B01L 7/52; B01L 9/06; B01L 9/52; B05C  
 3/109; B65D 81/3484; G01N 21/03;  
 G01N 21/07; G01N 27/00; G01N  
 27/44756; G01N 27/447; G01N  
 27/44704; G01N 27/4473; G01N  
 27/4475; G01N 27/61; G01N 27/84;  
 G01N 33/08524; G01N 33/383; G01N  
 33/5032; G01N 33/54326; G01N 33/543;  
 G01N 33/5431; G01N 33/5436; G01N  
 33/558; G01N 35/00029; G01N 35/02;  
 G01N 35/025; G01N 35/026; G01N  
 35/04; G01N 35/1002; G03C 8/34

See application file for complete search history.

(56)

**References Cited**

U.S. PATENT DOCUMENTS

D223,145 S \* 3/1972 Blotch ..... D9/456  
 3,707,227 A \* 12/1972 Britt ..... B01L 9/06  
 206/443  
 4,149,635 A \* 4/1979 Stevens ..... A61B 50/33  
 206/370  
 4,266,669 A \* 5/1981 Watson ..... A61B 50/33  
 206/370  
 D280,933 S \* 10/1985 McLaughlin ..... D24/229

4,753,345 A \* 6/1988 Goodsir ..... A61M 5/008  
 206/365  
 5,007,535 A \* 4/1991 Meseke ..... A61M 5/008  
 206/363  
 D360,264 S \* 7/1995 Wolff ..... D24/224  
 D363,192 S \* 10/1995 Reeves ..... D7/553.3  
 D387,874 S \* 12/1997 Vila ..... D24/227  
 5,779,053 A \* 7/1998 Partika ..... A61B 50/33  
 206/370  
 D417,146 S \* 11/1999 St. Pierre ..... D9/732  
 D428,657 S \* 7/2000 Ward ..... D24/229  
 D431,110 S \* 9/2000 Dembicks ..... D3/313  
 D455,032 S \* 4/2002 Quinn ..... D3/304  
 6,405,863 B1 \* 6/2002 Dhindsa ..... A61B 50/33  
 206/370  
 6,426,041 B1 \* 7/2002 Smith ..... A61L 2/26  
 206/223  
 6,814,236 B2 \* 11/2004 Roshdy ..... A61B 50/33  
 206/363  
 D591,175 S \* 4/2009 Larson ..... D9/425  
 D616,250 S \* 5/2010 Peyton ..... D7/553.3  
 D650,912 S \* 12/2011 Tomes ..... D24/227  
 8,177,064 B2 \* 5/2012 McCormick ..... A61B 50/33  
 206/370  
 8,656,929 B2 \* 2/2014 Miller ..... A61B 10/025  
 128/898  
 D767,783 S \* 9/2016 McClelland ..... D24/227  
 D779,082 S \* 2/2017 Andre ..... D24/229  
 D791,965 S \* 7/2017 Ochraneck ..... D24/229  
 D802,159 S \* 11/2017 Fawdington ..... D24/227  
 2004/0195131 A1 \* 10/2004 Spolidoro ..... A61B 50/30  
 206/438  
 2007/0246471 A1 \* 10/2007 Hrovat ..... A61J 7/0069  
 220/533  
 2015/0060462 A1 \* 3/2015 Colbert ..... A61M 5/002  
 220/553  
 2017/0028400 A1 \* 2/2017 Gaynor ..... B01L 3/52

\* cited by examiner

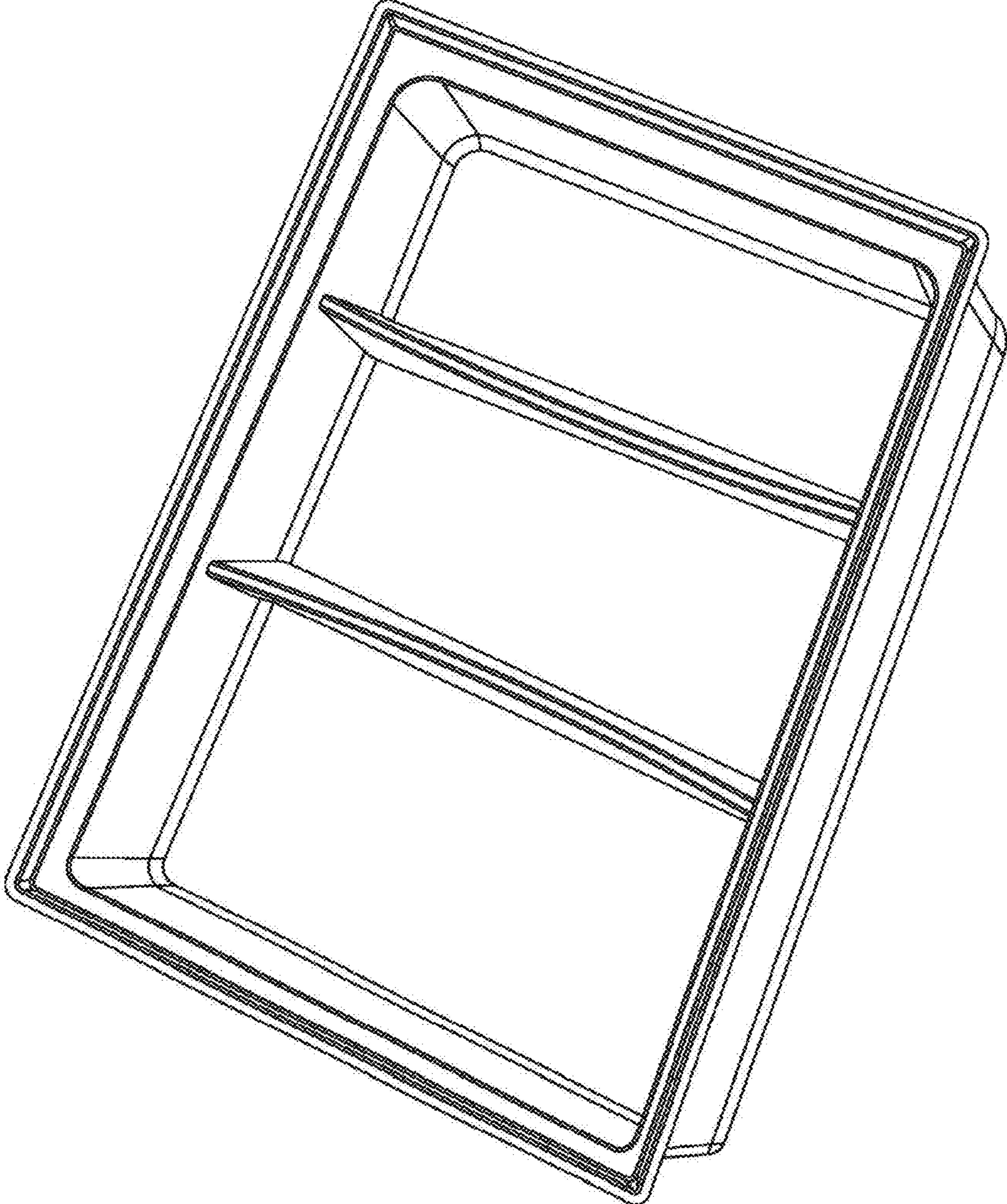


FIG. 1

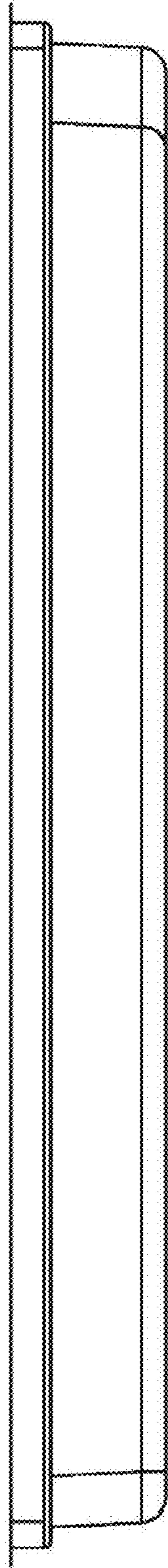


FIG. 2

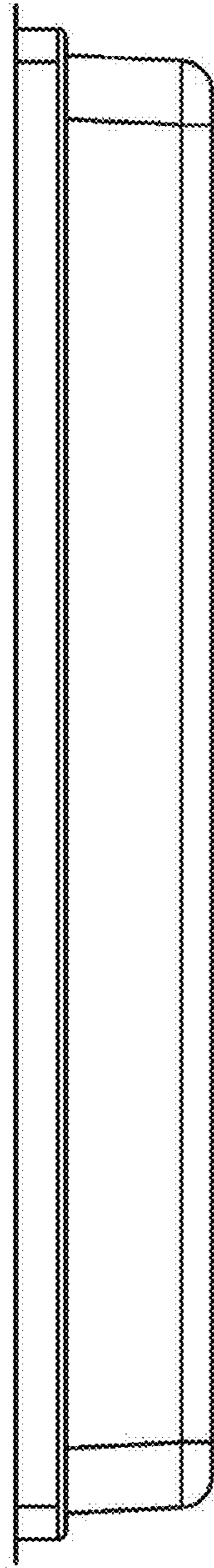


FIG. 3

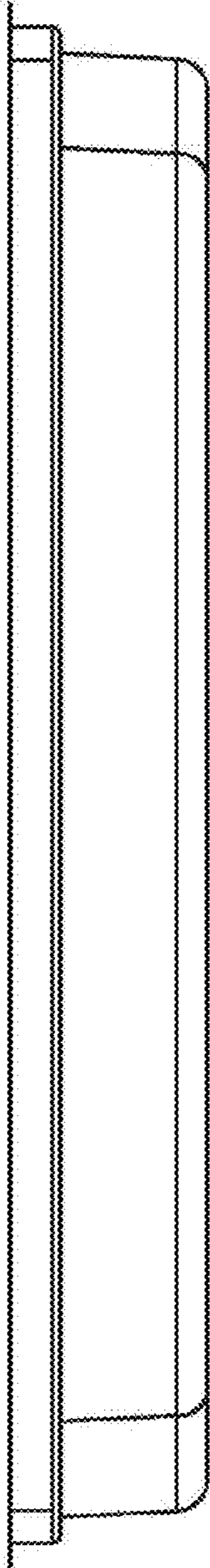


FIG. 4

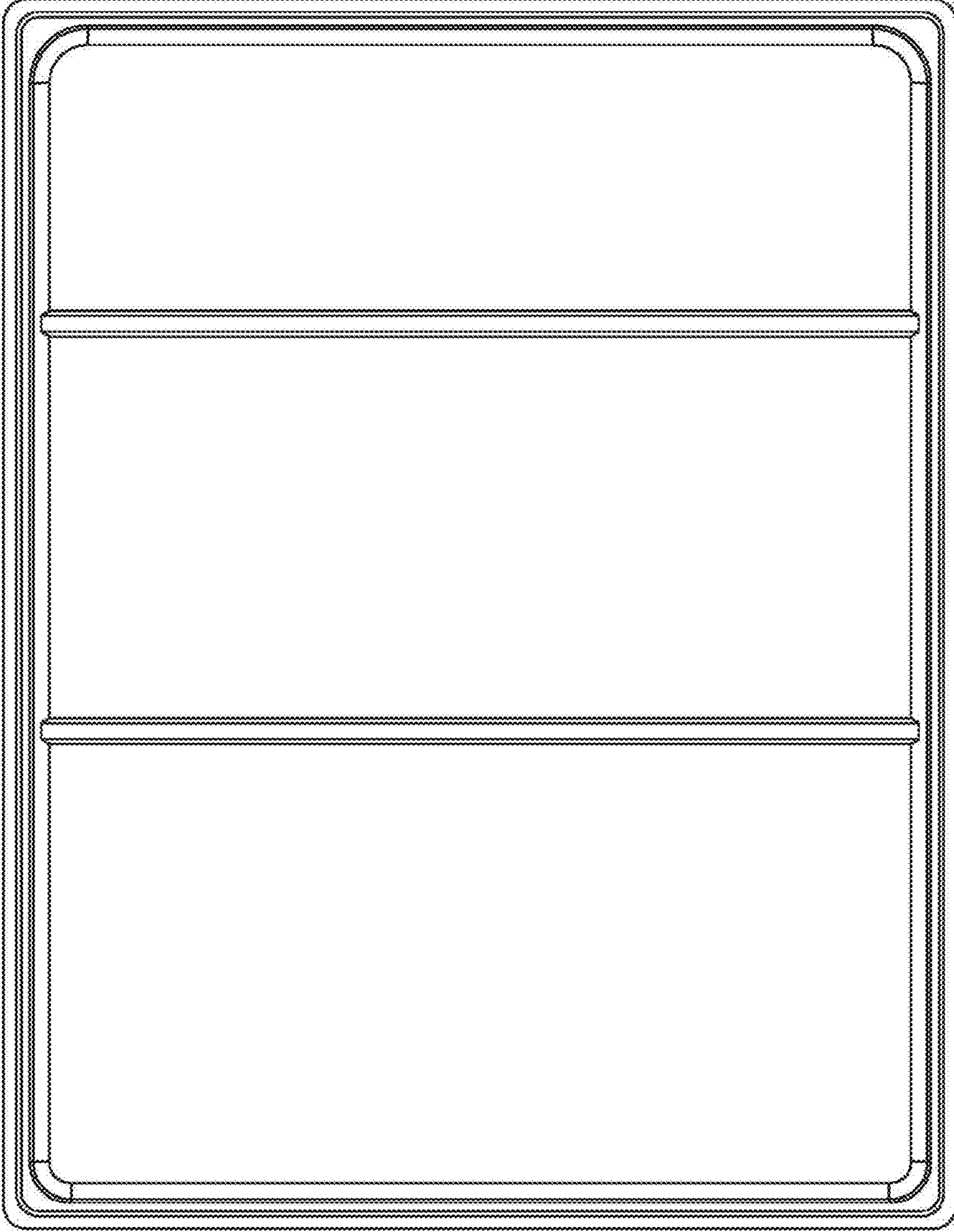


FIG. 5

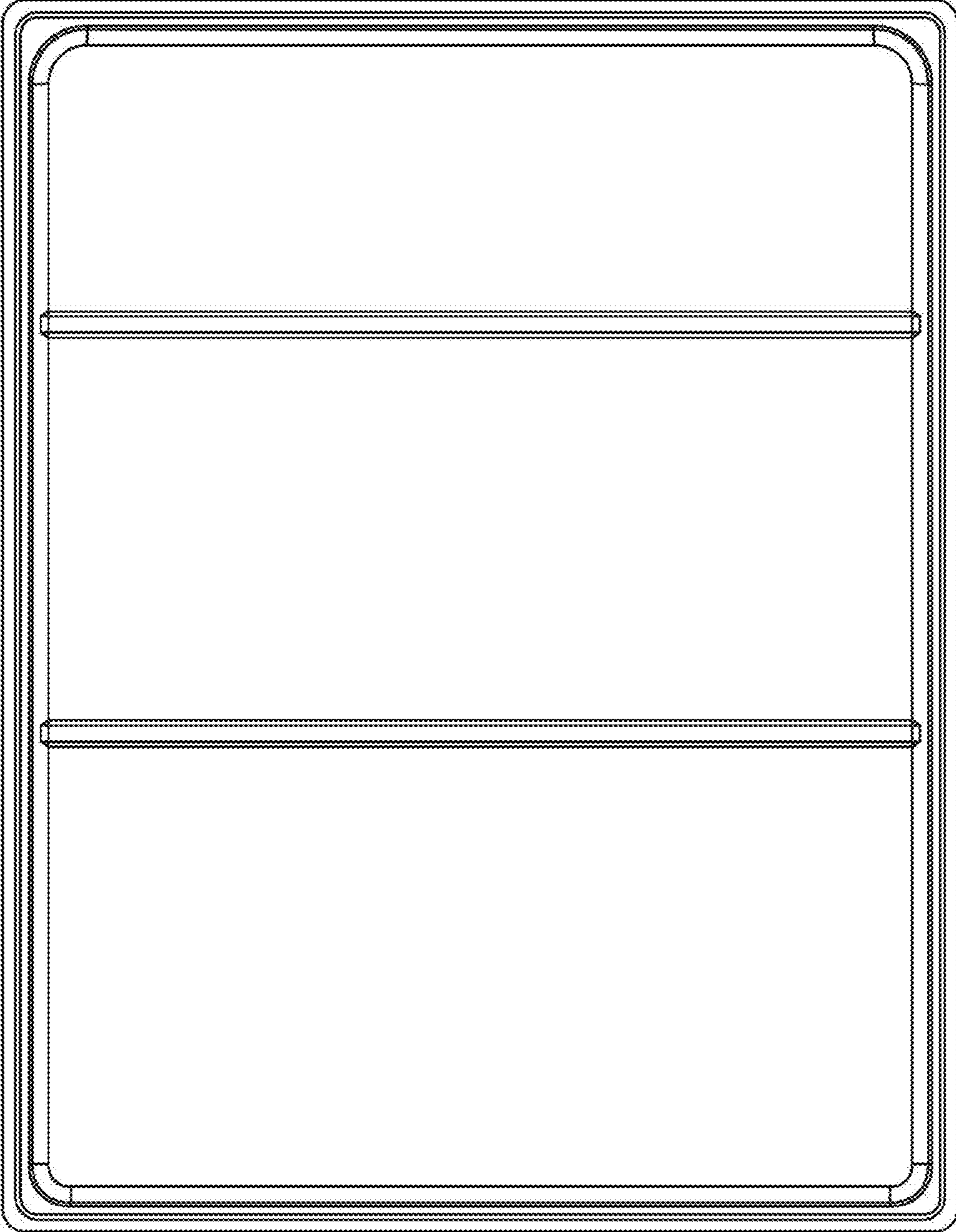


FIG. 6



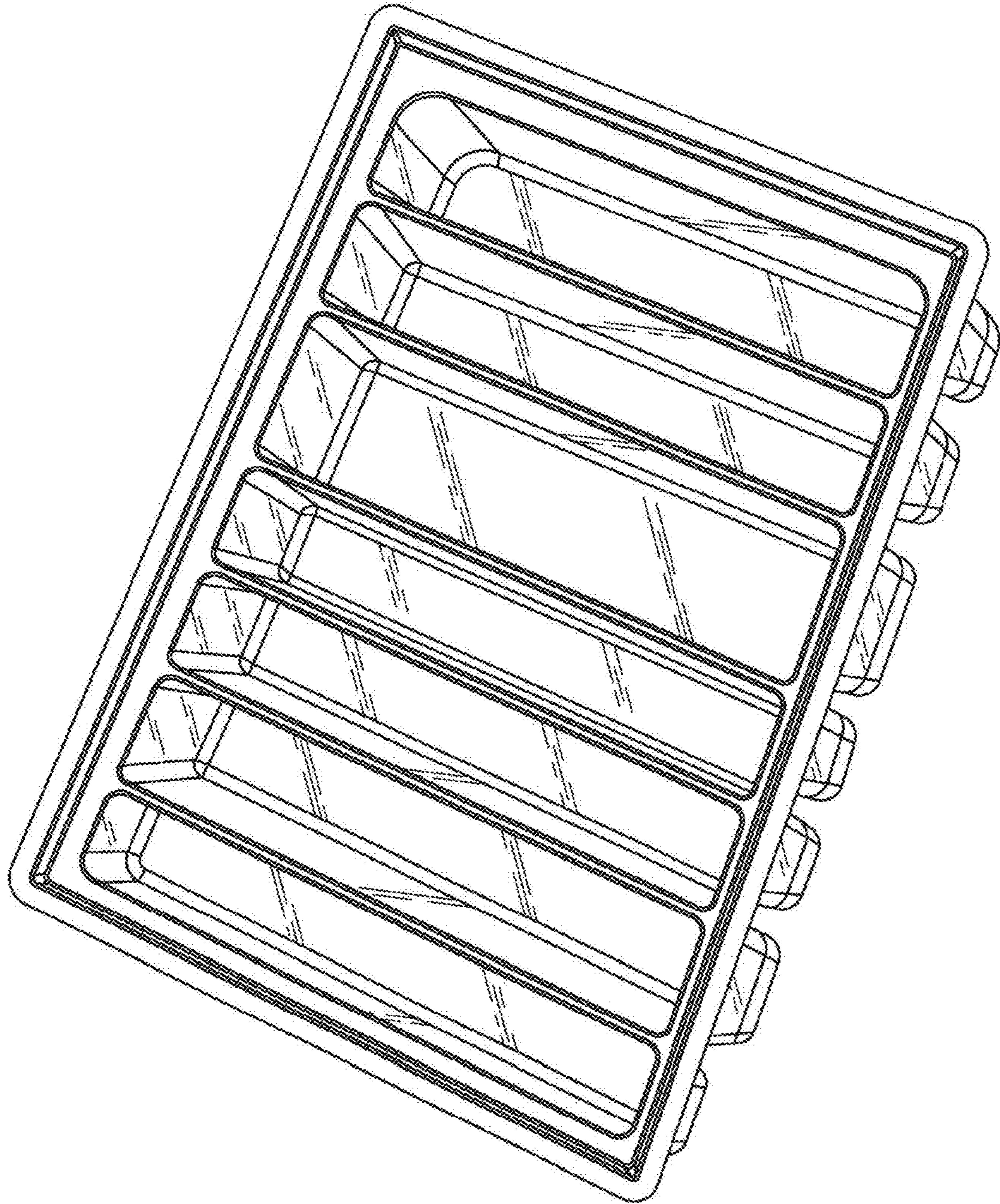


FIG. 7

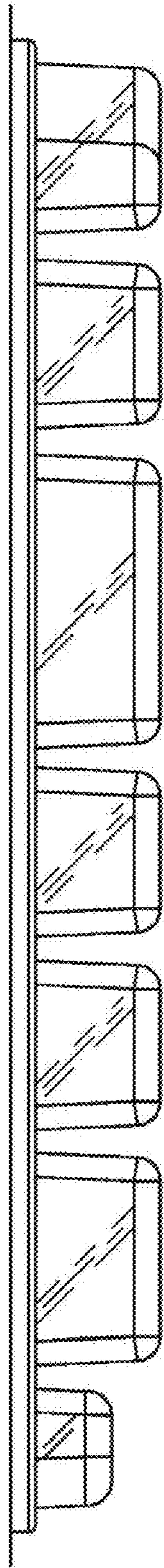


FIG. 8

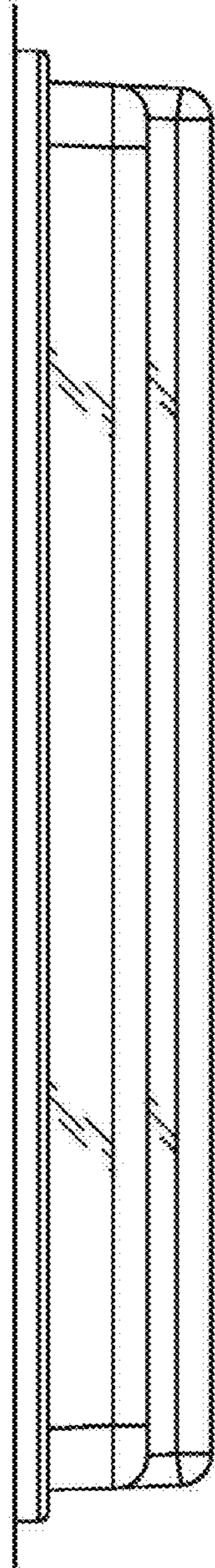


FIG. 9

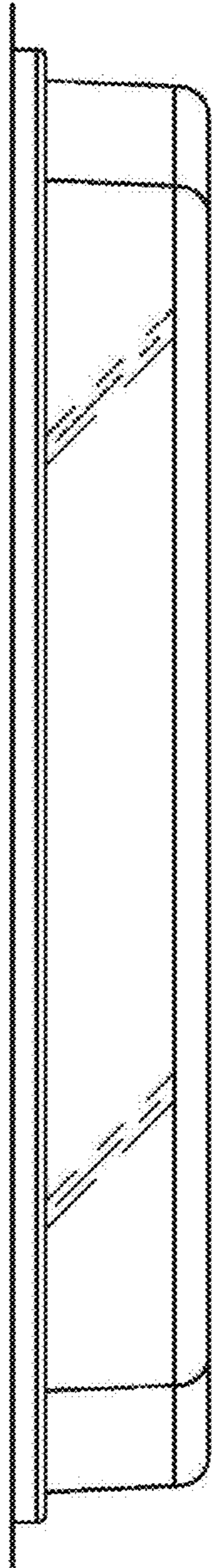


FIG. 10

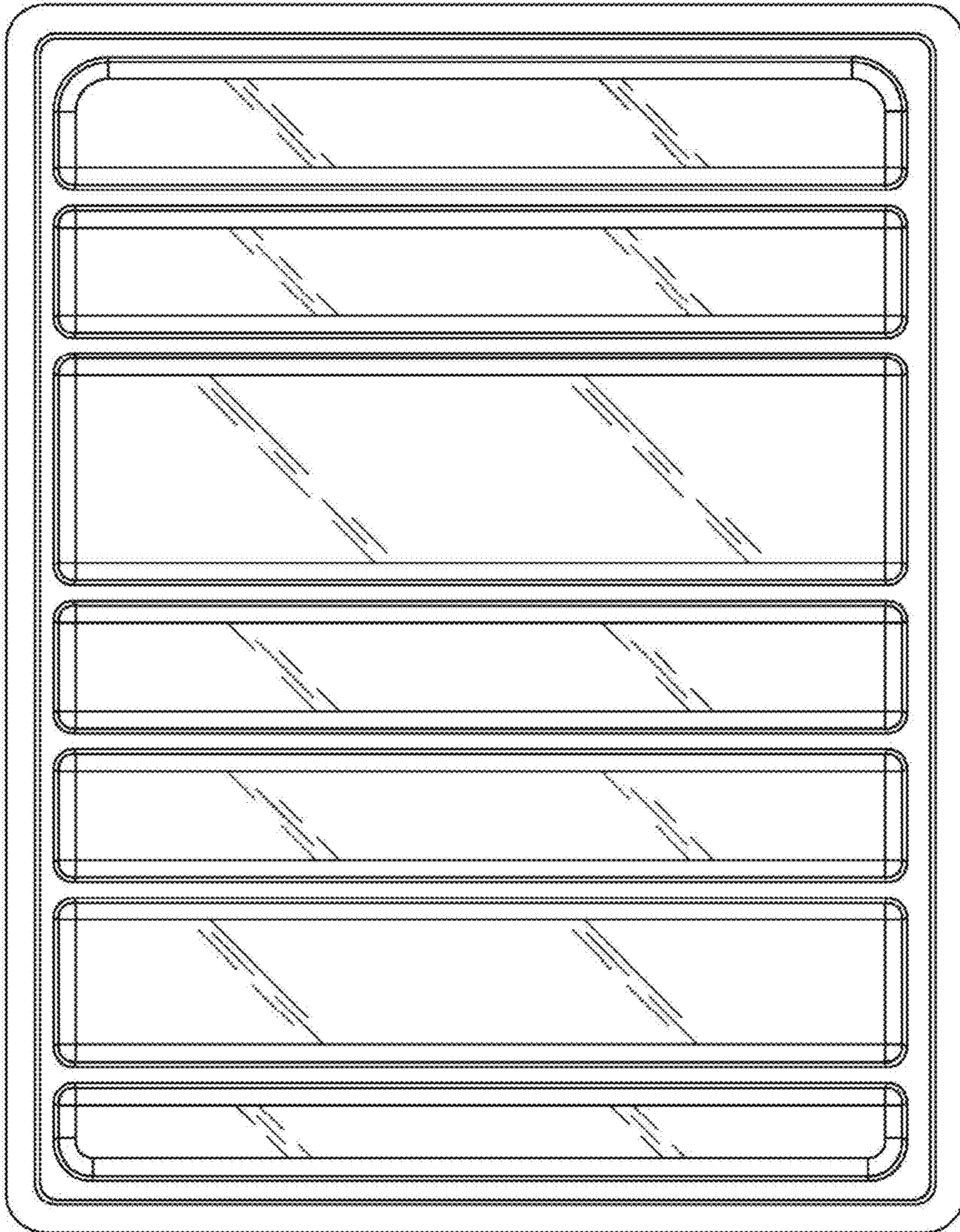


FIG. 11

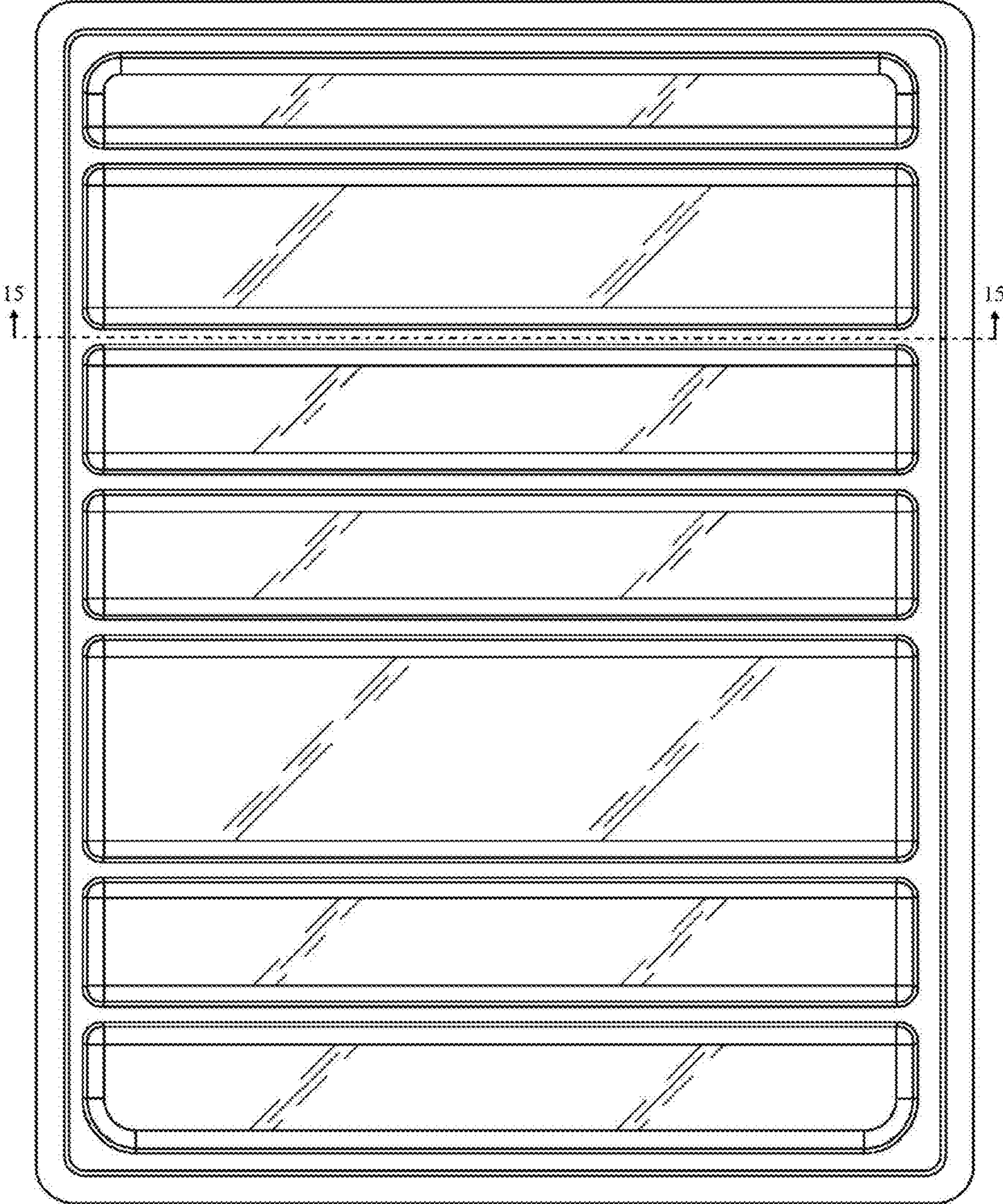


FIG. 12

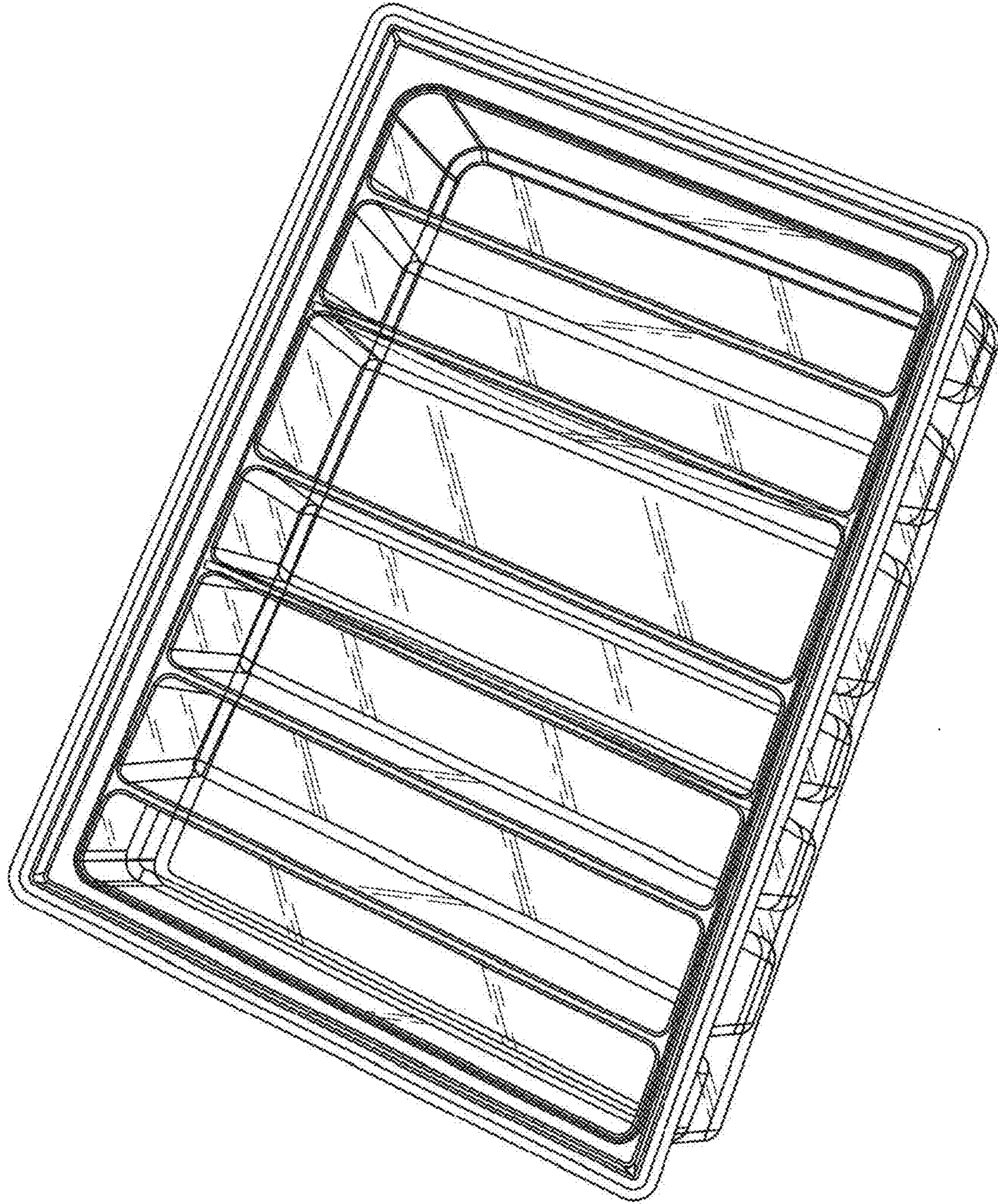


FIG. 13

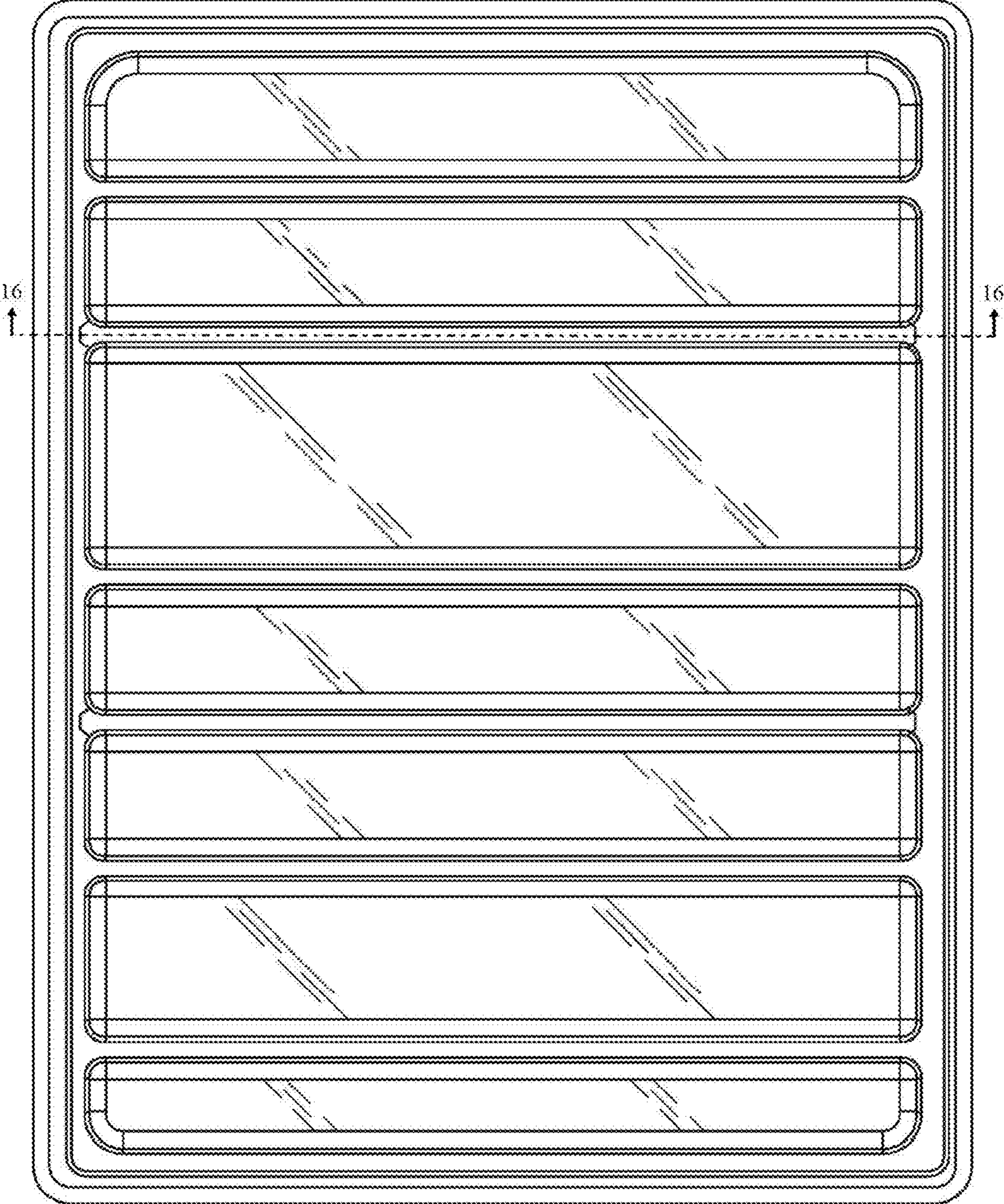


FIG. 14





FIG. 15

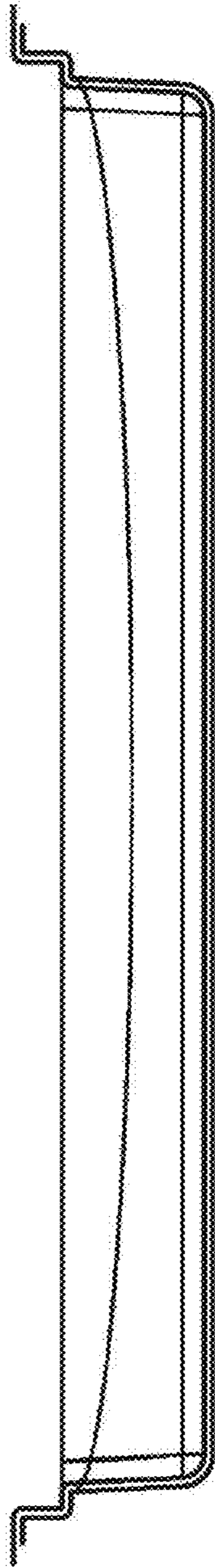


FIG. 16

UNITED STATES PATENT AND TRADEMARK OFFICE  
**CERTIFICATE OF CORRECTION**

PATENT NO. : D846,144 S  
APPLICATION NO. : 29/543711  
DATED : April 16, 2019  
INVENTOR(S) : Fawdington et al.

Page 1 of 1

It is certified that error appears in the above-identified patent and that said Letters Patent is hereby corrected as shown below:

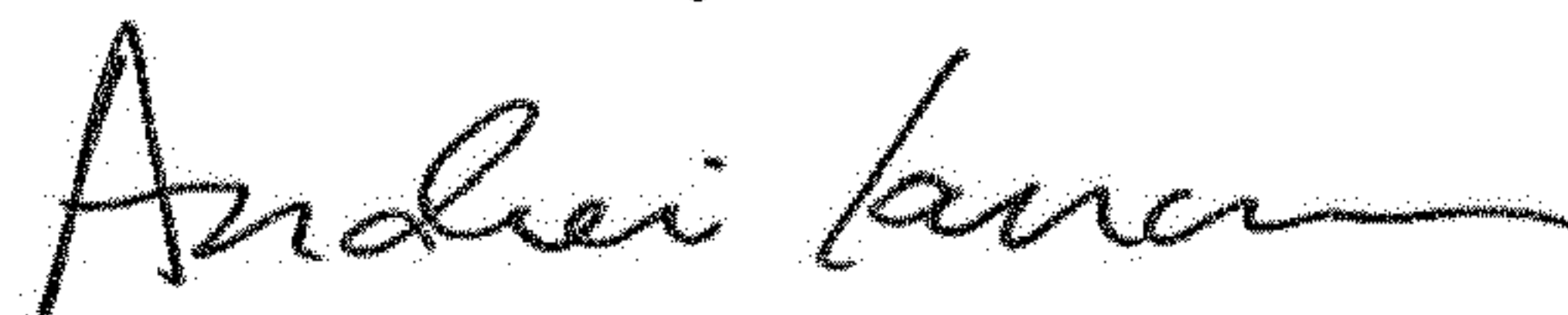
On the Title Page

Item (30), should read:

**(30) Foreign Application Priority Data**

October 20, 2015 (EM).....002829408

Signed and Sealed this  
Fourth Day of June, 2019



Andrei Iancu  
*Director of the United States Patent and Trademark Office*