



US00D846140S

(12) **United States Design Patent**  
**Masuda et al.**

(10) **Patent No.:** **US D846,140 S**  
(45) **Date of Patent:** **\*\* Apr. 16, 2019**

(54) **CLINICAL ANALYZER**

(74) *Attorney, Agent, or Firm* — Crowell & Moring LLP

(71) Applicant: **Hitachi High-Technologies Corporation**, Minato-ku, Tokyo (JP)

(57) **CLAIM**

The ornamental design for a clinical analyzer, as shown and described.

(72) Inventors: **Ai Masuda**, Tokyo (JP); **Hiroyuki Noda**, Tokyo (JP); **Mitsuru Oonuma**, Tokyo (JP); **Tetsuji Kawahara**, Tokyo (JP); **Yuichi Koiso**, Tokyo (JP)

**DESCRIPTION**

This application contains subject matter related to the following co-pending U.S. design patent applications: Application Ser. No. 29/627,767, filed herewith and entitled "Clinical Analyzer"; Application Ser. No. 29/627,777, filed herewith and entitled "Clinical Analyzer"; Application Ser. No. 29/627,780, filed herewith and entitled "Clinical Analyzer"; Application Ser. No. 29/627,764, filed herewith and entitled "Clinical Analyzer"; Application Ser. No. 29/627,774, filed herewith and entitled "Clinical Analyzer with Graphical User Interface"; and Application Ser. No. 29/627,781, filed herewith and entitled "Clinical Analyzer with Graphical User Interface".

(73) Assignee: **Hitachi High-Technologies Corporation**, Tokyo (JP)

(\*\*) Term: **15 Years**

(21) Appl. No.: **29/627,778**

(22) Filed: **Nov. 29, 2017**

(30) **Foreign Application Priority Data**

May 31, 2017 (JP) ..... 2017-011785

(51) **LOC (11) Cl.** ..... **24-01**

(52) **U.S. Cl.**  
USPC ..... **D24/216**

(58) **Field of Classification Search**  
USPC ..... D24/107, 169, 185, 186, 216-219,  
D24/231-234; D10/81

(Continued)

(56) **References Cited**

**U.S. PATENT DOCUMENTS**

D643,936 S \* 8/2011 Oonuma ..... D24/232  
D653,765 S \* 2/2012 Oonuma ..... D24/216

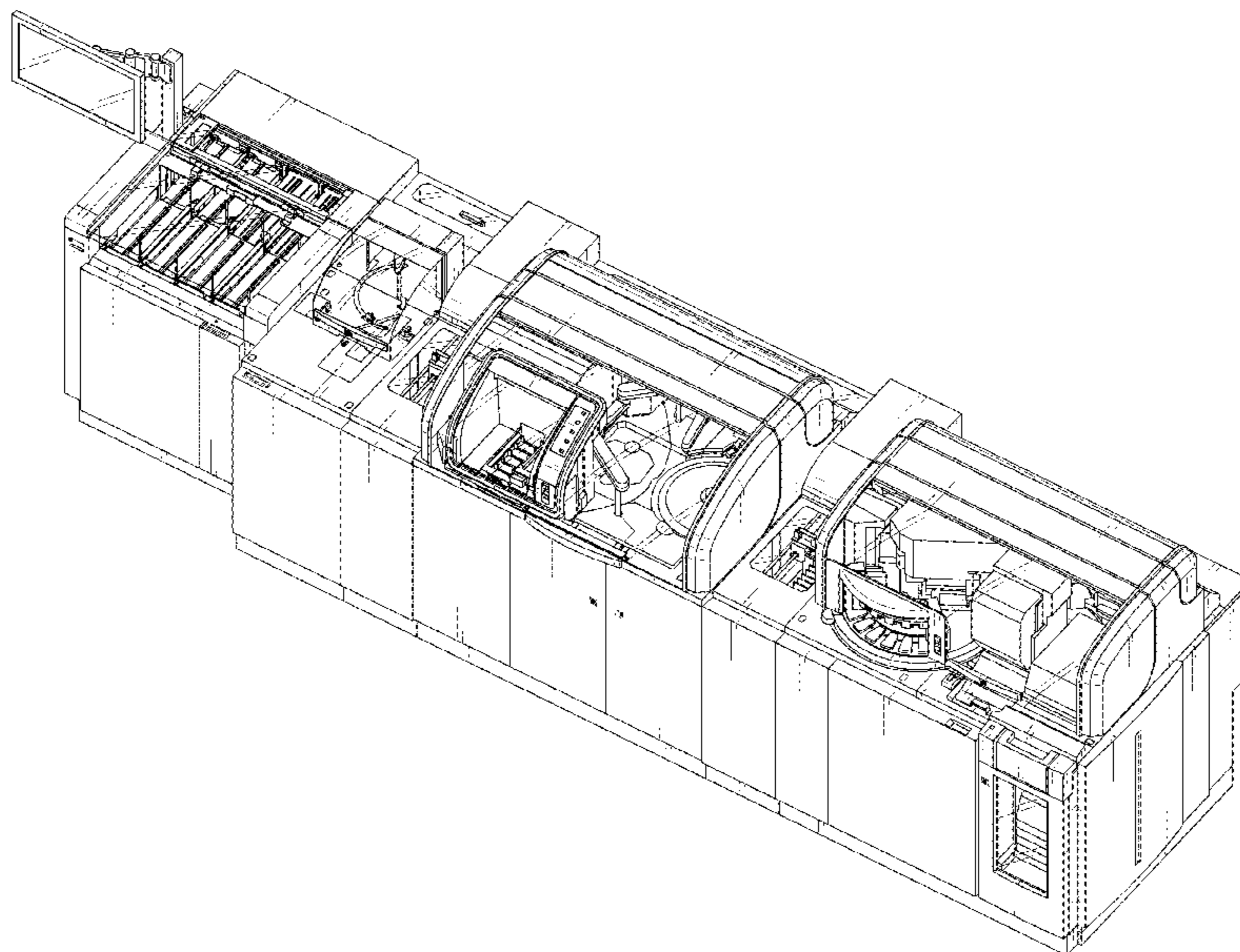
(Continued)

FIG. 1 is a front, top and right side perspective view of a clinical analyzer according to the design; FIG. 2 is a front elevational view thereof; FIG. 3 is a left side elevational view thereof; FIG. 4 is a right side elevational view thereof; FIG. 5 is a top plan view thereof; FIG. 6 is a bottom plan view thereof; FIG. 7 is a rear elevational view thereof; FIG. 8 is enlarged cross-sectional view taken in the direction of line 8-8 of FIG. 2; FIG. 9 is an enlarged cross-sectional view taken in the direction of line 9-9 of FIG. 2; FIG. 10 is an enlarged cross-sectional view taken in the direction of line 10-10 of FIG. 2; FIG. 11 is an enlarged cross-sectional view taken in the direction of line 11-11 of FIG. 2; and, FIG. 12 is a front, top and right side perspective view thereof shown in an opened position.

The broken lines illustrate portions of the clinical analyzer that form no part of the claimed design.

*Primary Examiner* — Anhdao Doan

**1 Claim, 10 Drawing Sheets**



(58) **Field of Classification Search**

CPC ..... G01N 2035/00306; G01N 2035/00326;  
G01N 2035/00336; G01N 2030/027;  
G01N 21/76

See application file for complete search history.

(56) **References Cited**

U.S. PATENT DOCUMENTS

D740,435 S \* 10/2015 Oonuma ..... D24/216  
D740,956 S 10/2015 Oonuma et al.  
D740,957 S \* 10/2015 Oonuma ..... D24/216  
D810,956 S \* 2/2018 LiCalzi ..... D24/216  
D812,241 S \* 3/2018 LiCalzi ..... D24/216  
2014/0329270 A1 \* 11/2014 Favaloro ..... G01N 1/312  
435/30  
2014/0342358 A1 \* 11/2014 Dockrill ..... G01N 1/312  
435/6.11  
2017/0234898 A1 \* 8/2017 Luoma, II ..... G01N 35/0095  
436/48  
2017/0269114 A1 \* 9/2017 Bryant ..... G01N 35/04

\* cited by examiner



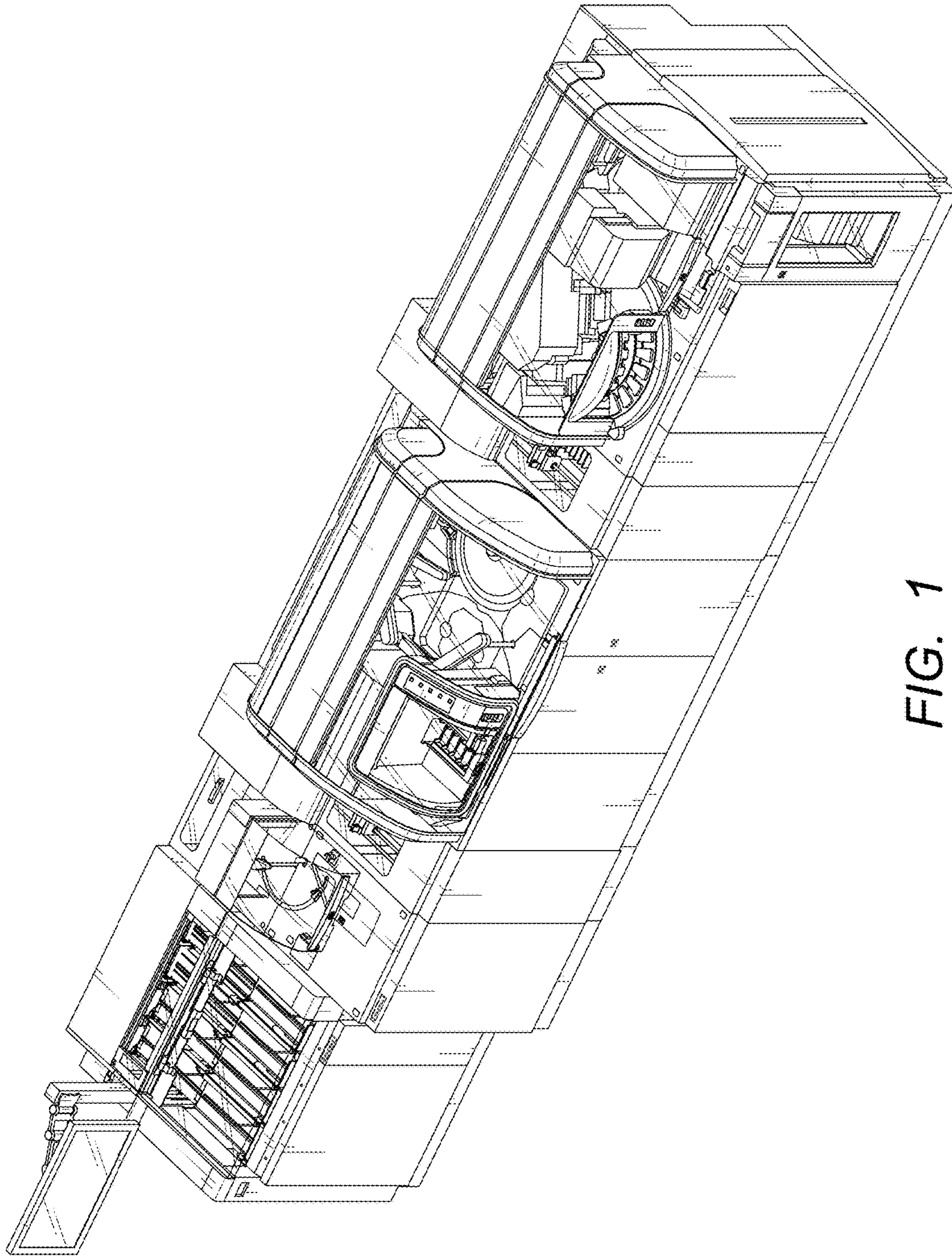


FIG. 1

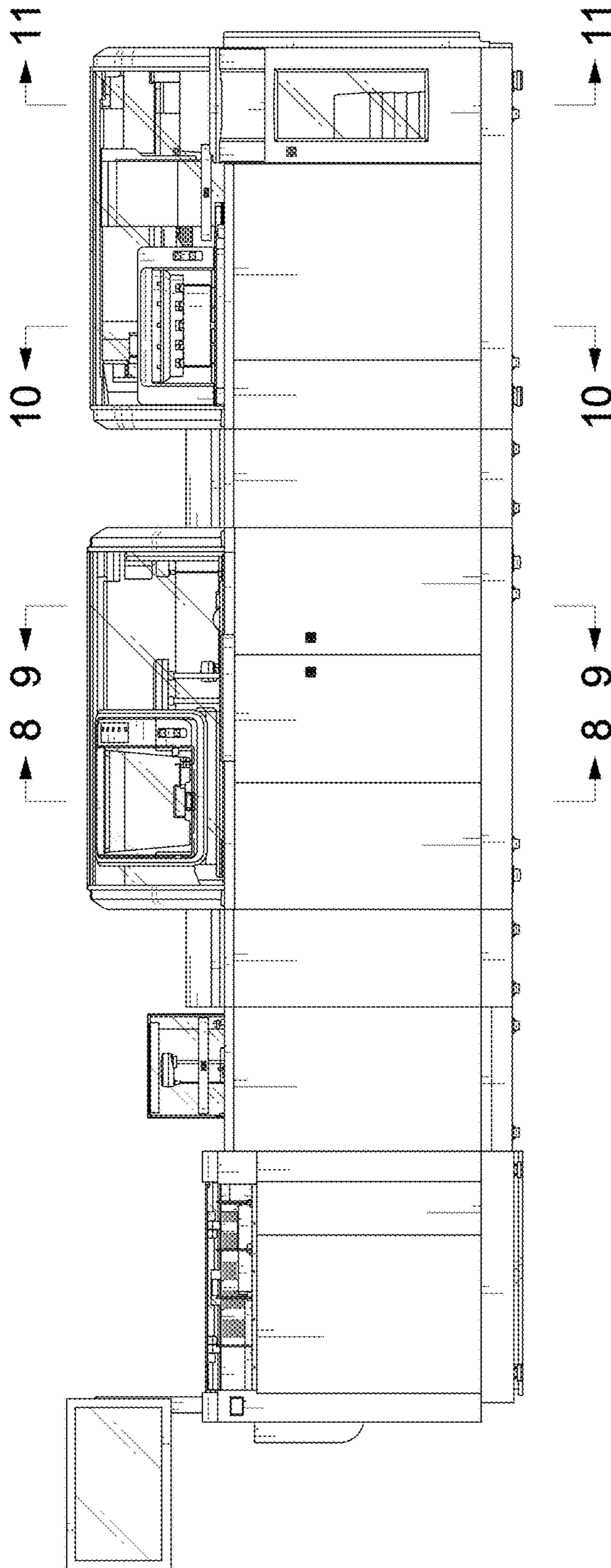


FIG. 2

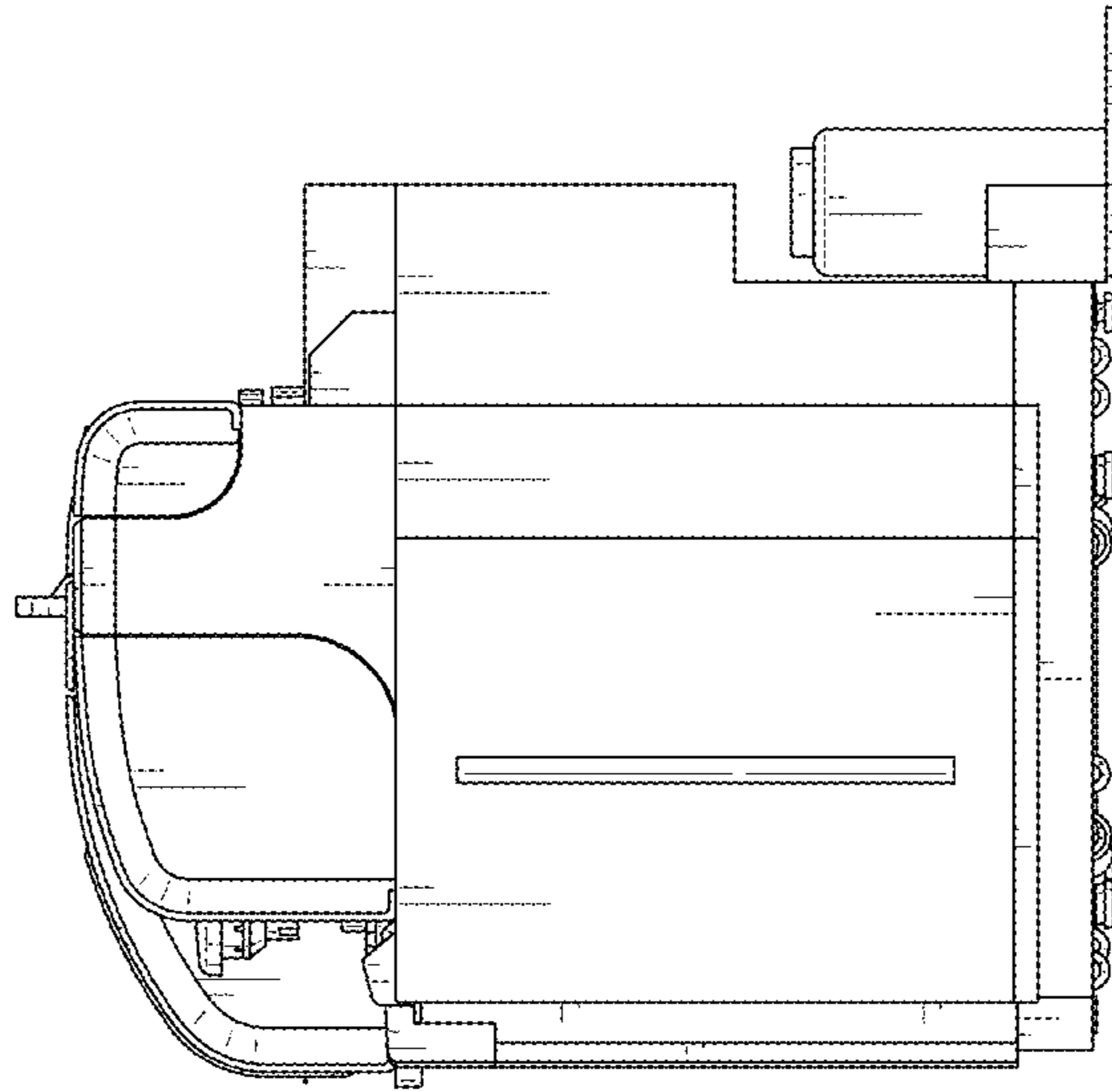


FIG. 4

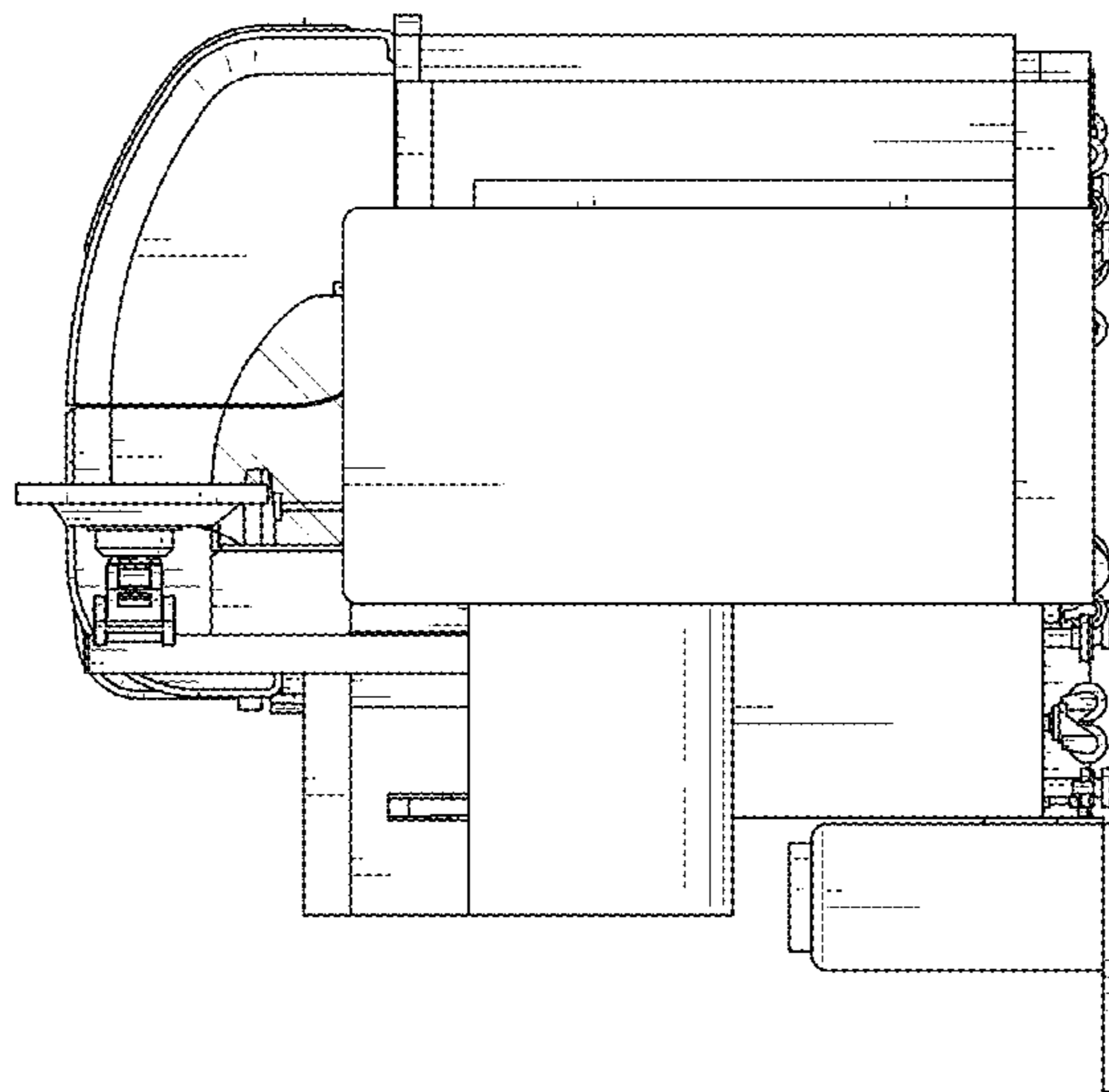


FIG. 3



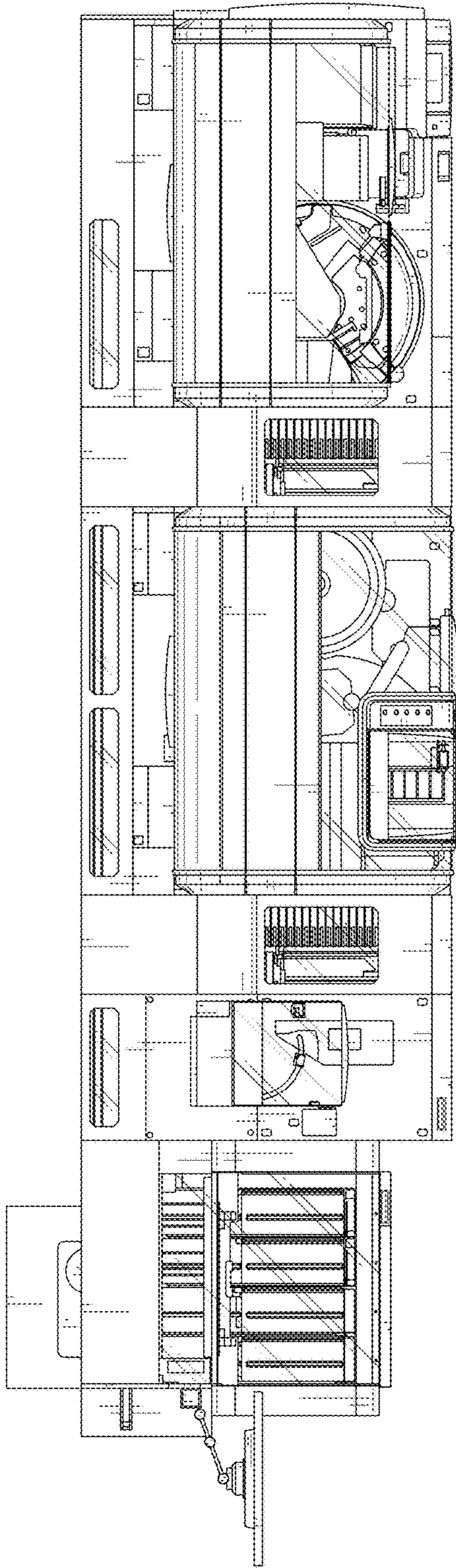


FIG. 5

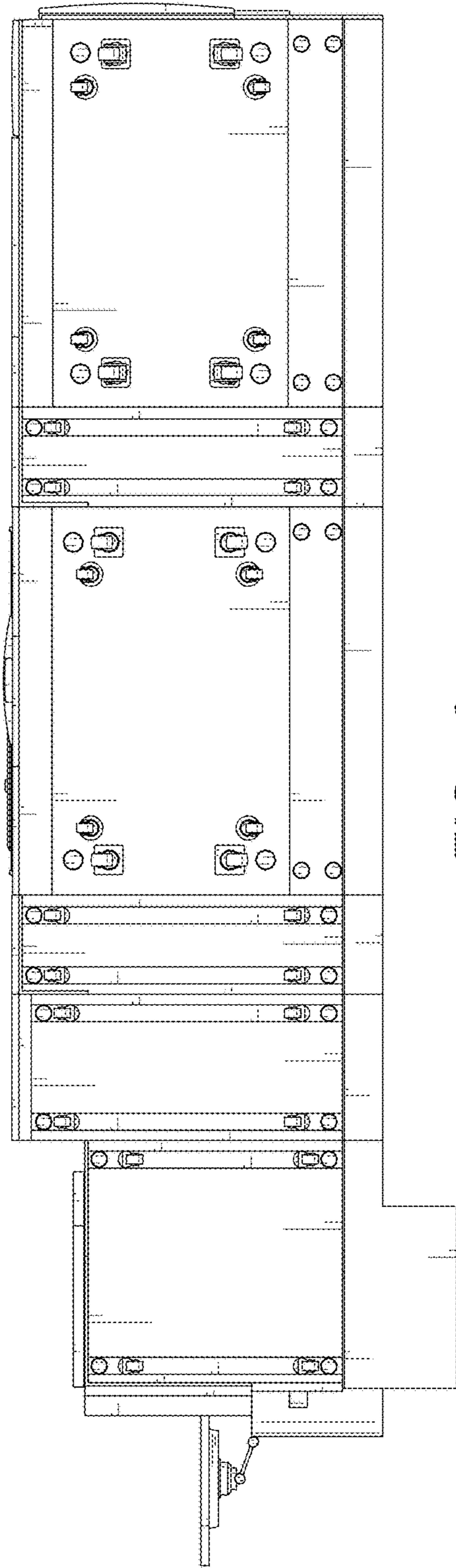


FIG. 6

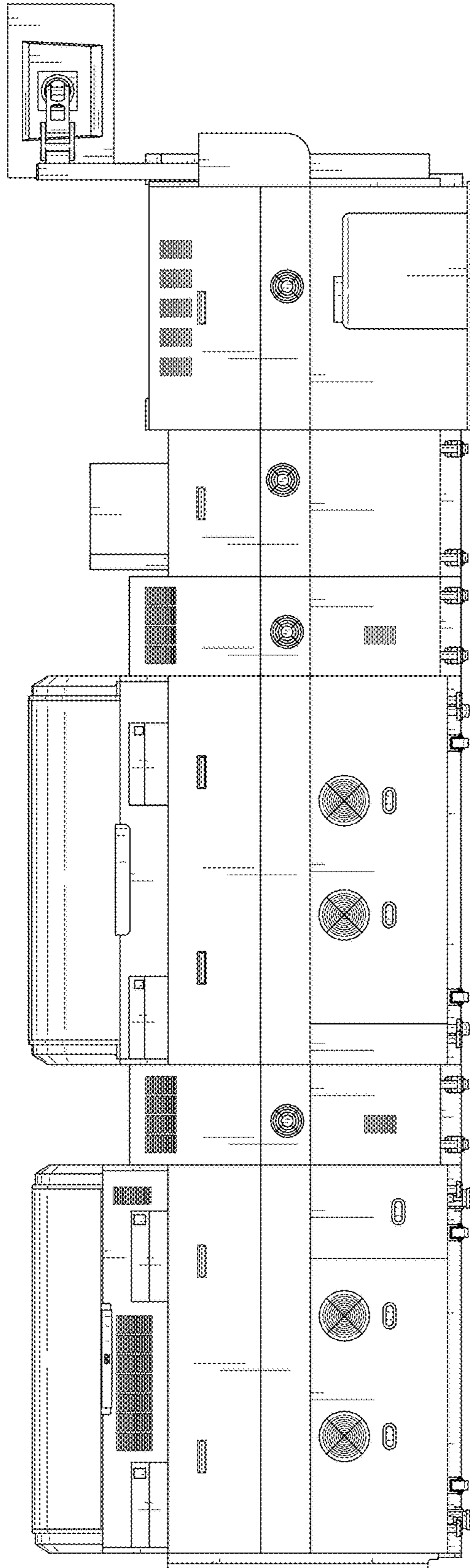


FIG. 7

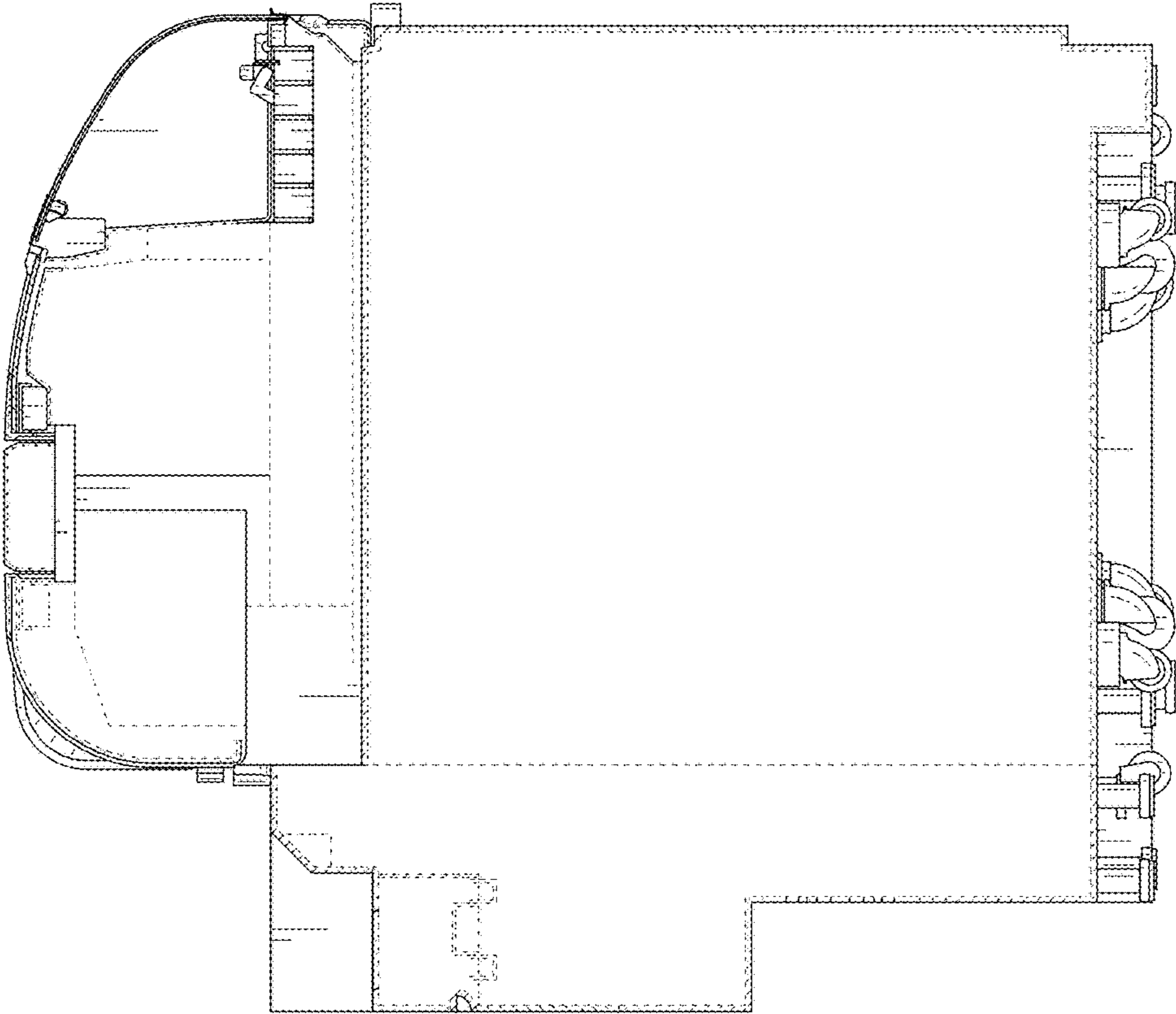


FIG. 8



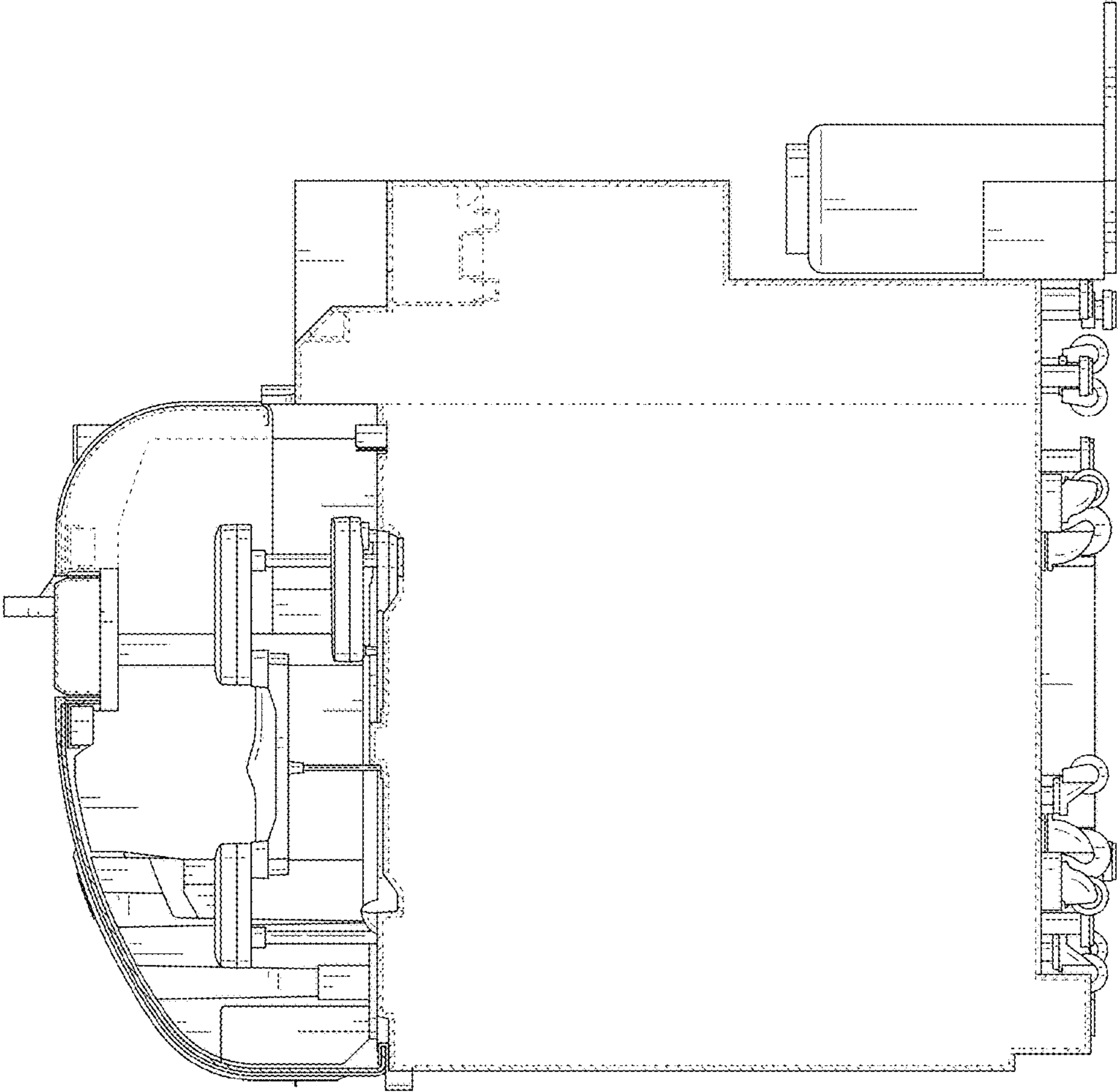


FIG. 9

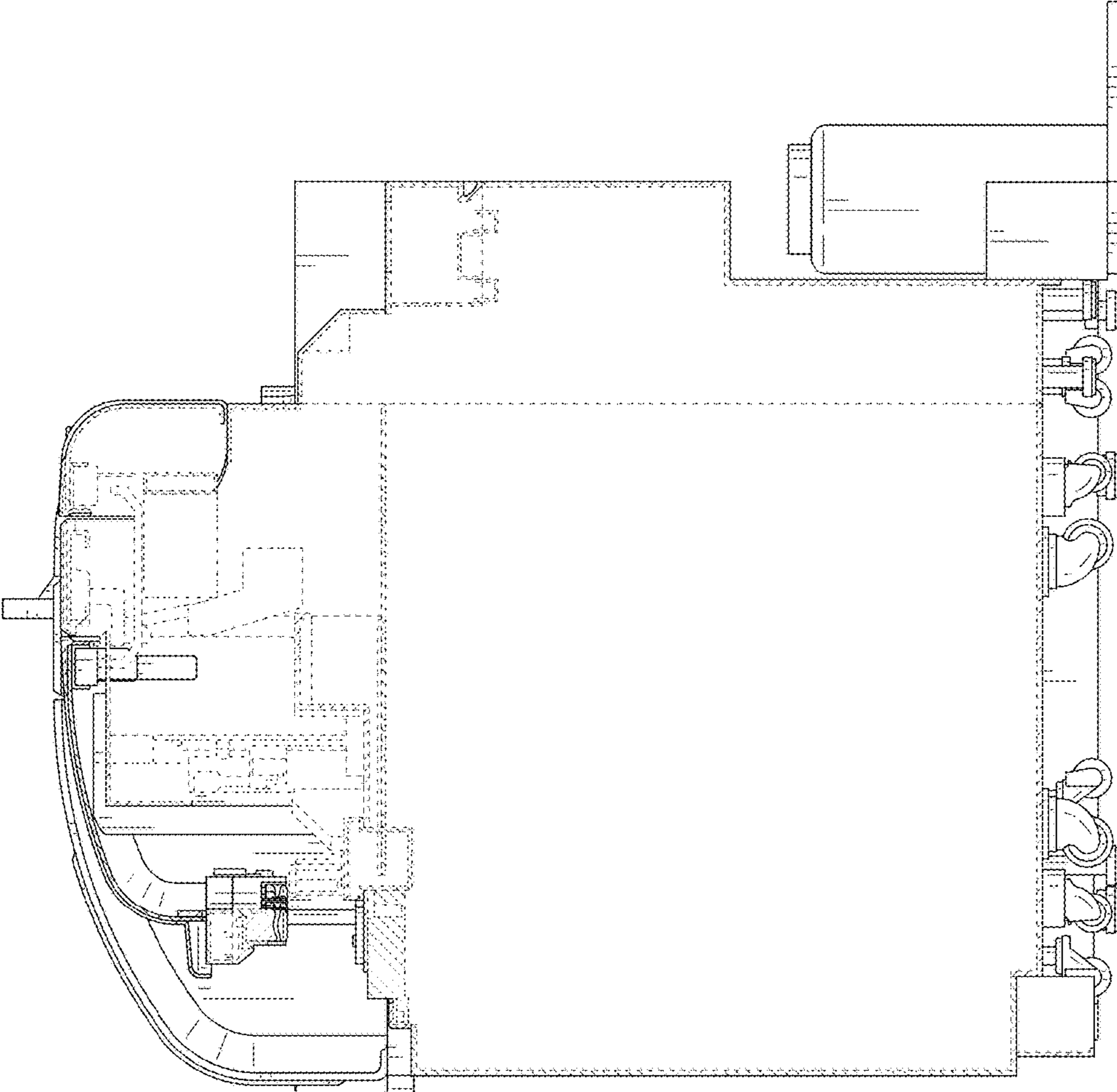


FIG. 10

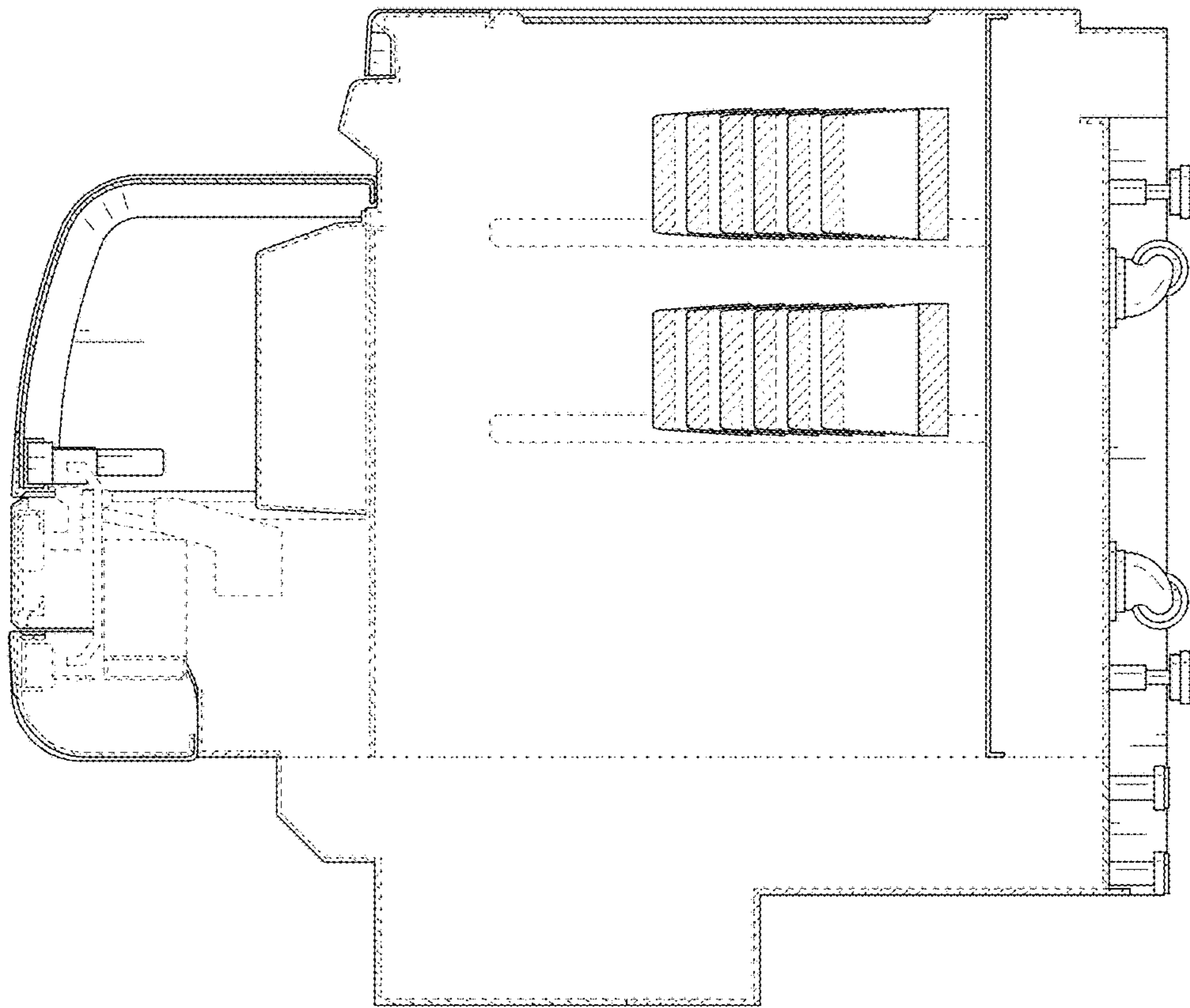


FIG. 11



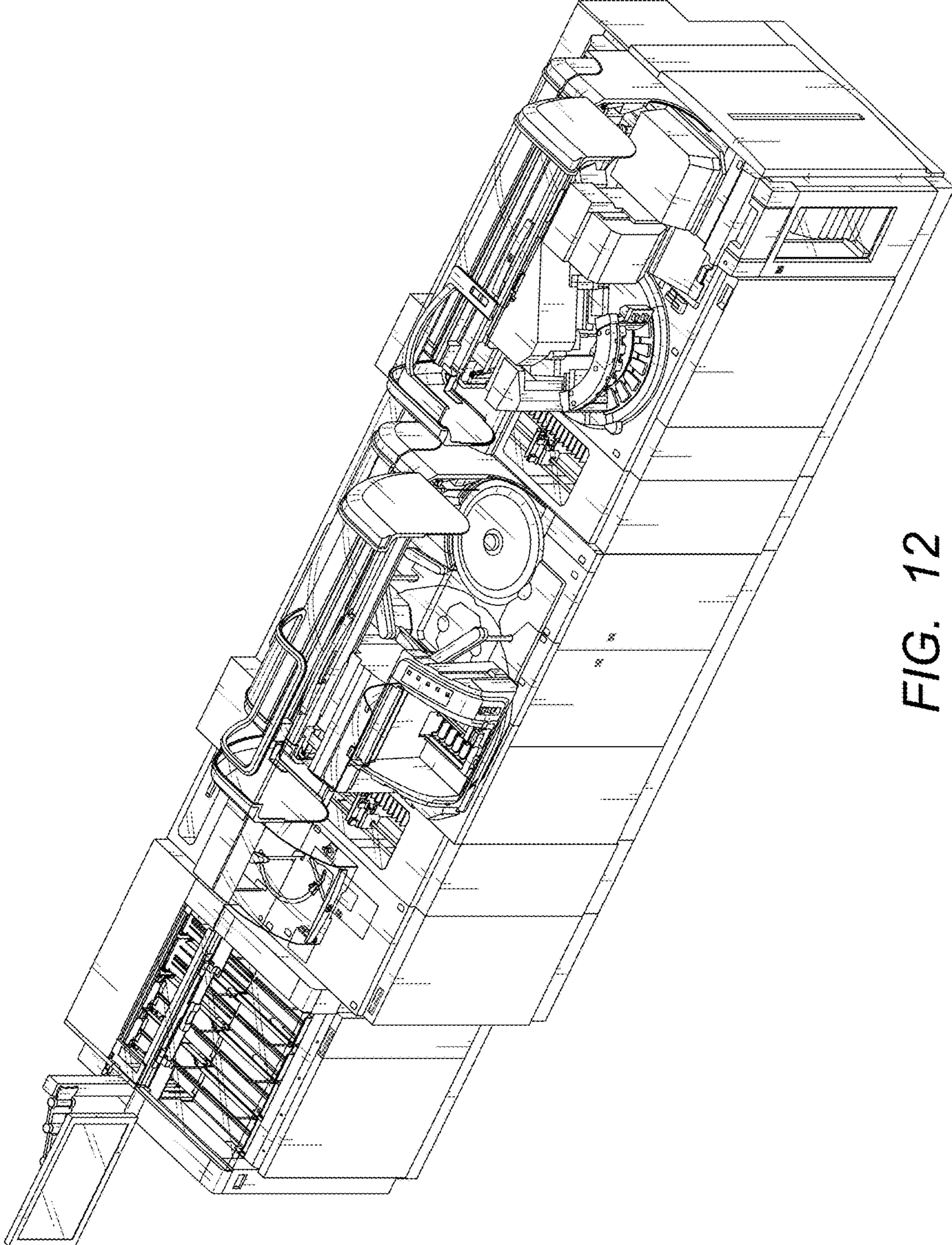


FIG. 12