



US00D846138S

(12) **United States Design Patent** (10) **Patent No.:** **US D846,138 S**
Masuda et al. (45) **Date of Patent:** **** Apr. 16, 2019**

(54) **CLINICAL ANALYZER**

Primary Examiner — Anhdao Doan

(71) Applicant: **Hitachi High-Technologies Corporation**, Minato-ku, Tokyo (JP)

(74) *Attorney, Agent, or Firm* — Crowell & Moring LLP

(72) Inventors: **Ai Masuda**, Tokyo (JP); **Hiroyuki Noda**, Tokyo (JP); **Mitsuru Oonuma**, Tokyo (JP); **Tetsuji Kawahara**, Tokyo (JP); **Takamichi Mori**, Tokyo (JP)

(57) **CLAIM**

The ornamental design for a clinical analyzer, as shown and described.

(73) Assignee: **Hitachi High-Technologies Corporation**, Tokyo (JP)

DESCRIPTION

(**) Term: **15 Years**

This application contains subject matter related to the following co-pending U.S. design patent applications: Application Ser. No. 29/627,777, filed herewith and entitled “Clinical Analyzer”; Application Ser. No. 29/627,778, filed herewith and entitled “Clinical Analyzer”; Application Ser. No. 29/627,780, filed herewith and entitled “Clinical Analyzer”; Application Ser. No. 29/627,764, filed herewith and entitled “Clinical Analyzer”; Application Ser. No. 29/627,774, filed herewith and entitled “Clinical Analyzer With Graphical User Interface”; and Application Ser. No. 29/627,781, filed herewith and entitled “Clinical Analyzer With Graphical User Interface”.

(21) Appl. No.: **29/627,767**

(22) Filed: **Nov. 29, 2017**

(30) **Foreign Application Priority Data**

May 31, 2017 (JP) 2017-011783

(51) **LOC (11) Cl.** **24-01**

(52) **U.S. Cl.**
USPC **D24/216**

(58) **Field of Classification Search**
USPC D24/107, 169, 185, 186, 216–219, D24/231–234; D10/81
CPC G01N 2035/00306; G01N 2035/00326; G01N 2035/00336; G01N 2030/027; G01N 21/76

See application file for complete search history.

(56) **References Cited**

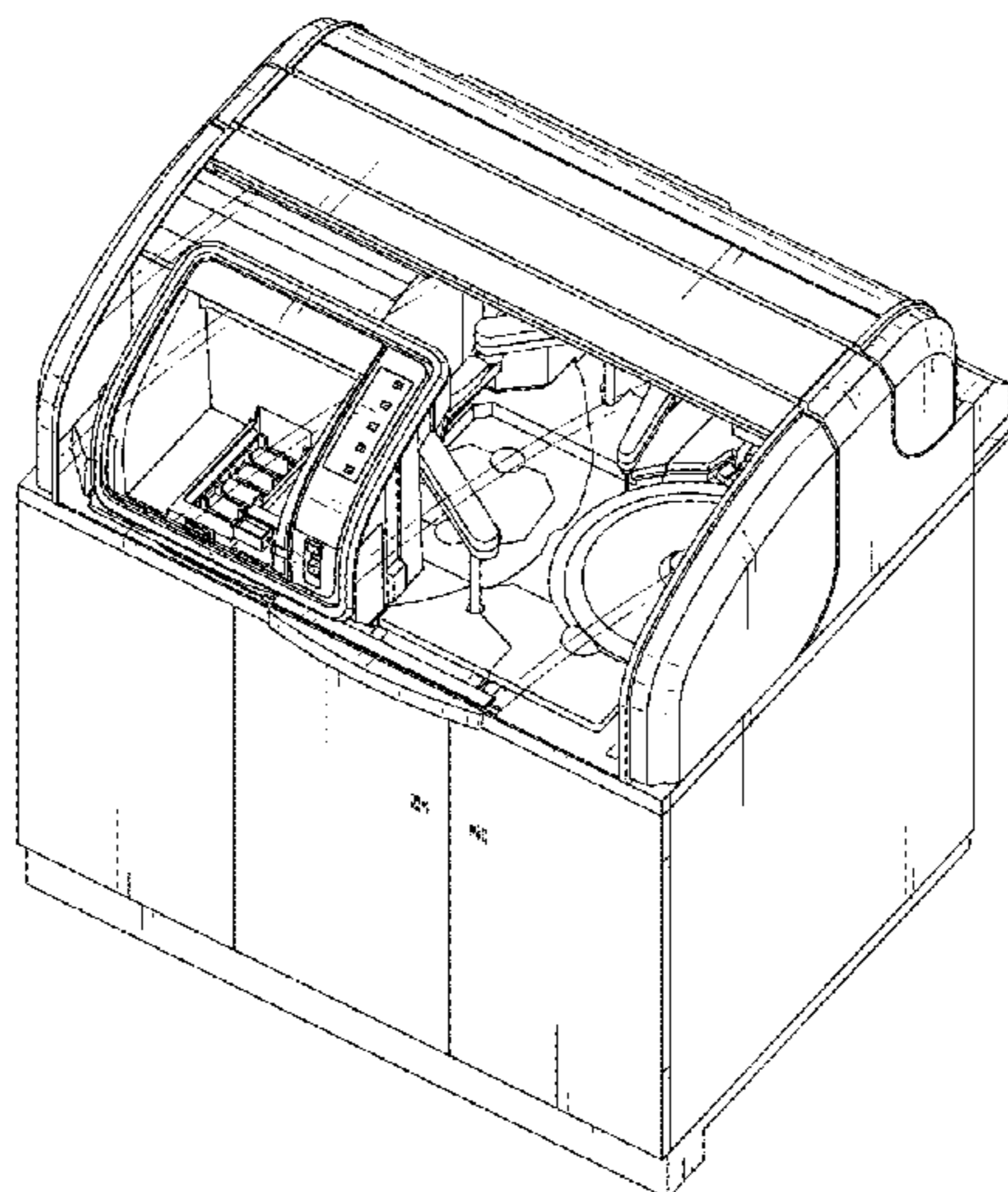
U.S. PATENT DOCUMENTS

D643,936 S *	8/2011	Oonuma	D24/232
D653,765 S *	2/2012	Oonuma	D24/216
D740,435 S *	10/2015	Oonuma	D24/216
D740,956 S	10/2015	Oonuma et al.		
D740,957 S *	10/2015	Oonuma	D24/216

(Continued)

FIG. 1 is a front, top and right side perspective view of a clinical analyzer according to the design; FIG. 2 is a front elevational view thereof; FIG. 3 is a right side elevational view thereof; FIG. 4 is a left side elevational view thereof; FIG. 5 is a top plan view thereof; FIG. 6 is a bottom plan view thereof; FIG. 7 is a rear elevational view thereof; FIG. 8 is a front, top and right side perspective view thereof shown in an opened position; FIG. 9 is an enlarged cross-sectional view taken in the direction of line 9-9 of FIG. 2; and, FIG. 10 is an enlarged cross-sectional view taken in the direction of line 10-10 of FIG. 2. The broken lines illustrate portions of the clinical analyzer that form no part of the claimed design.

1 Claim, 6 Drawing Sheets



(56)

References Cited

U.S. PATENT DOCUMENTS

D810,956 S * 2/2018 LiCalzi D24/216
D812,241 S * 3/2018 LiCalzi D24/216
2014/0329270 A1* 11/2014 Favaloro G01N 1/312
435/30
2014/0342358 A1* 11/2014 Dockrill G01N 1/312
435/6.11
2017/0234898 A1* 8/2017 Luoma, II G01N 35/0095
436/48
2017/0269114 A1* 9/2017 Bryant G01N 35/04

* cited by examiner

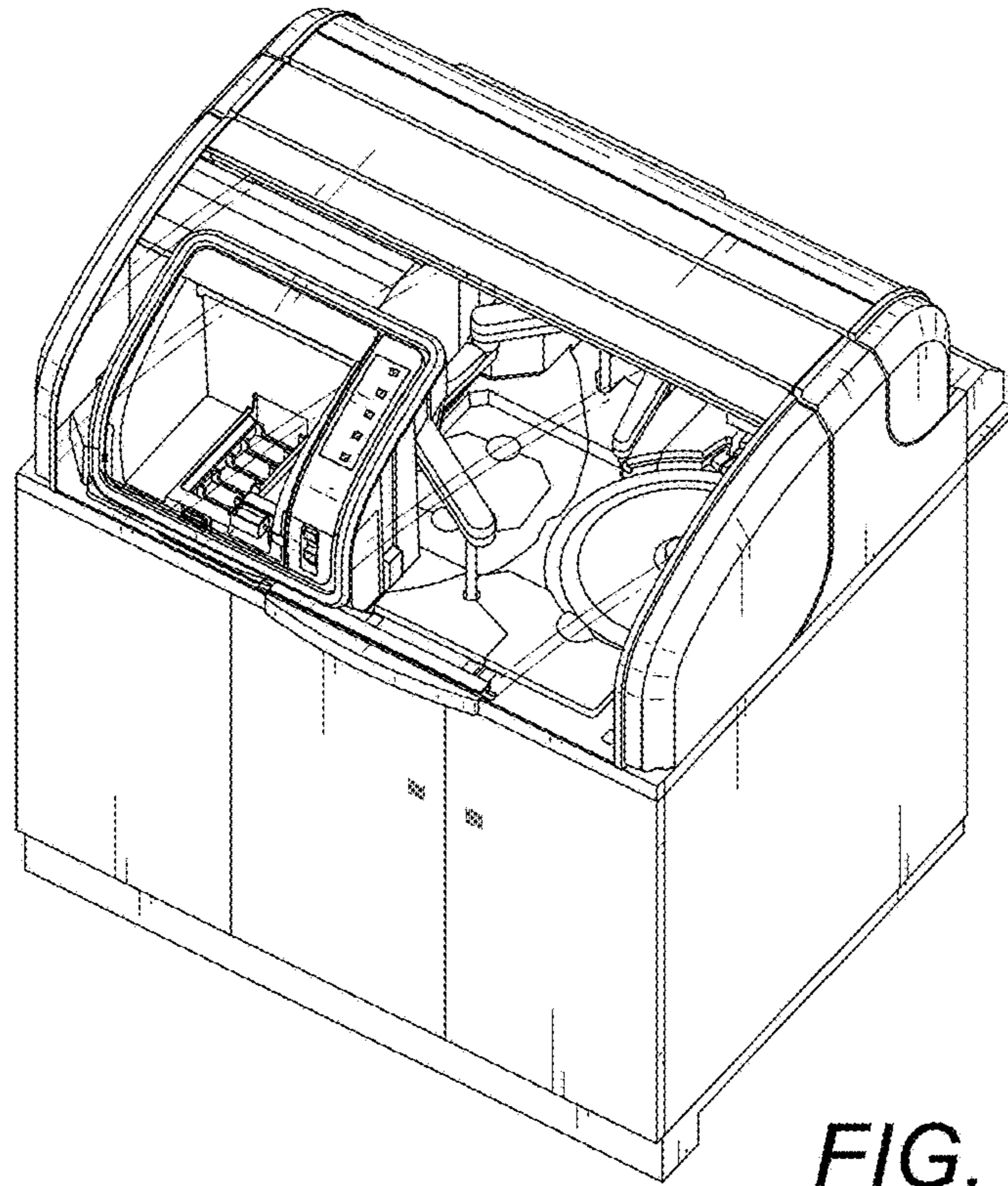


FIG. 1

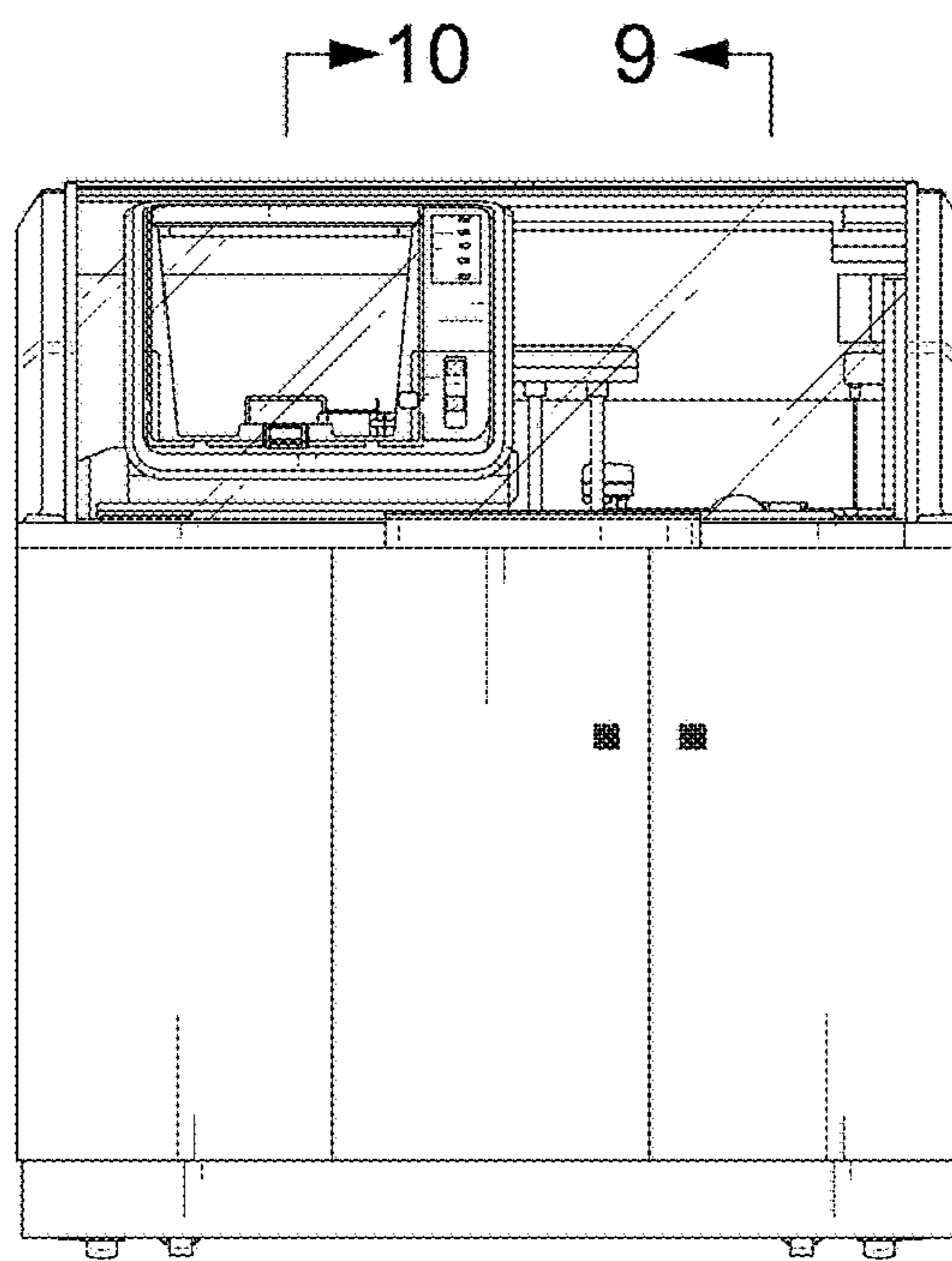


FIG. 2

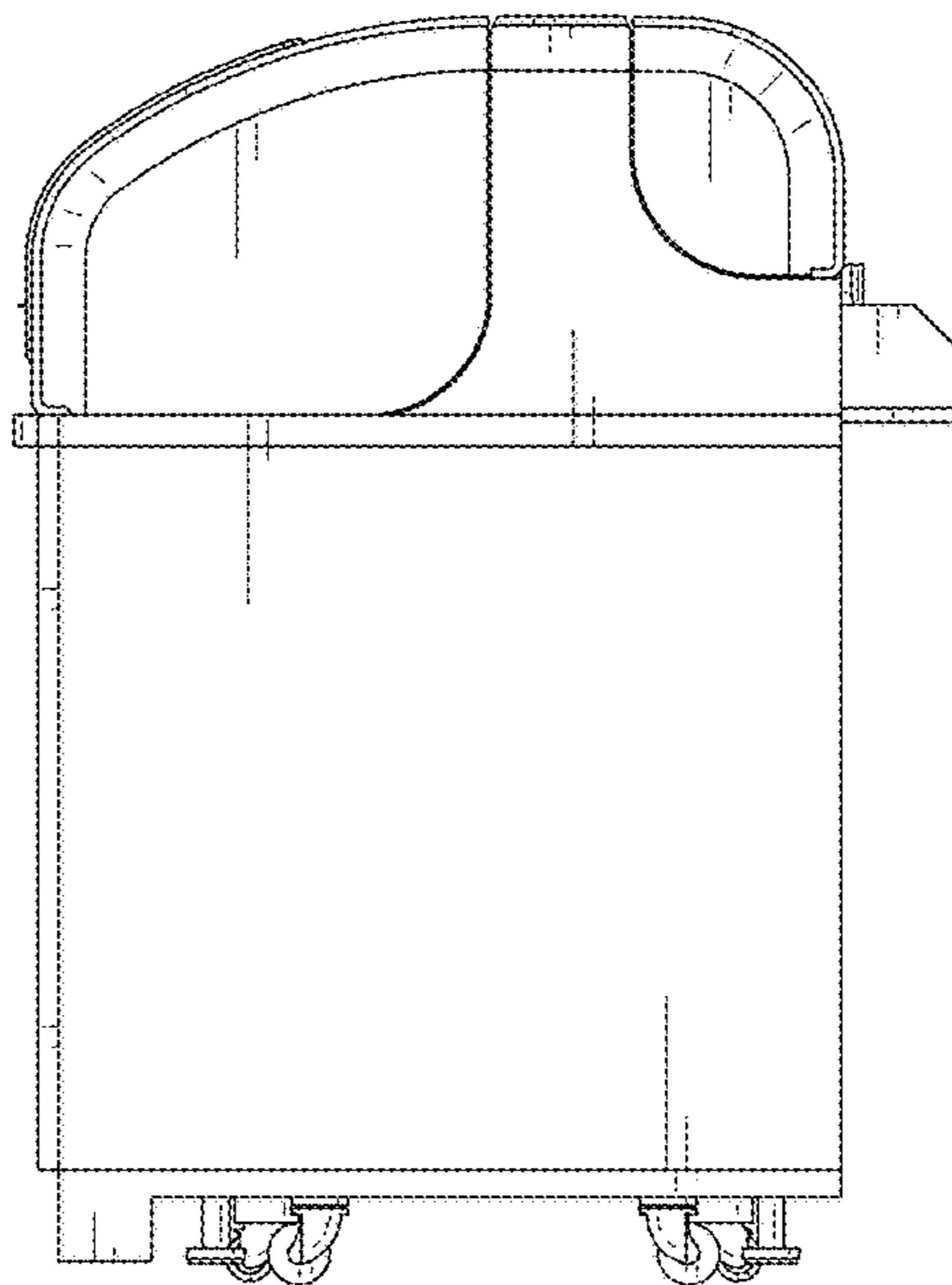


FIG. 3

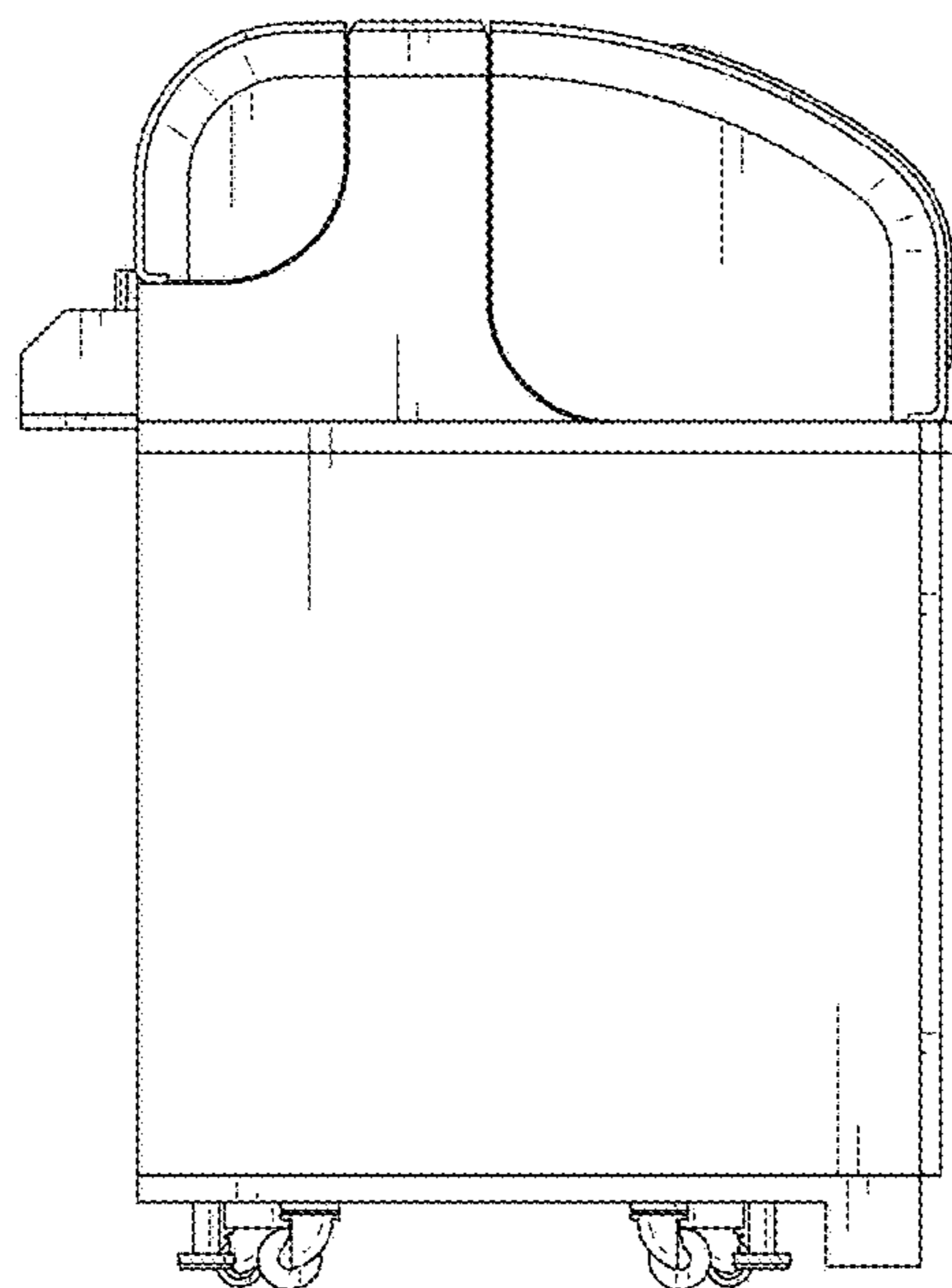


FIG. 4

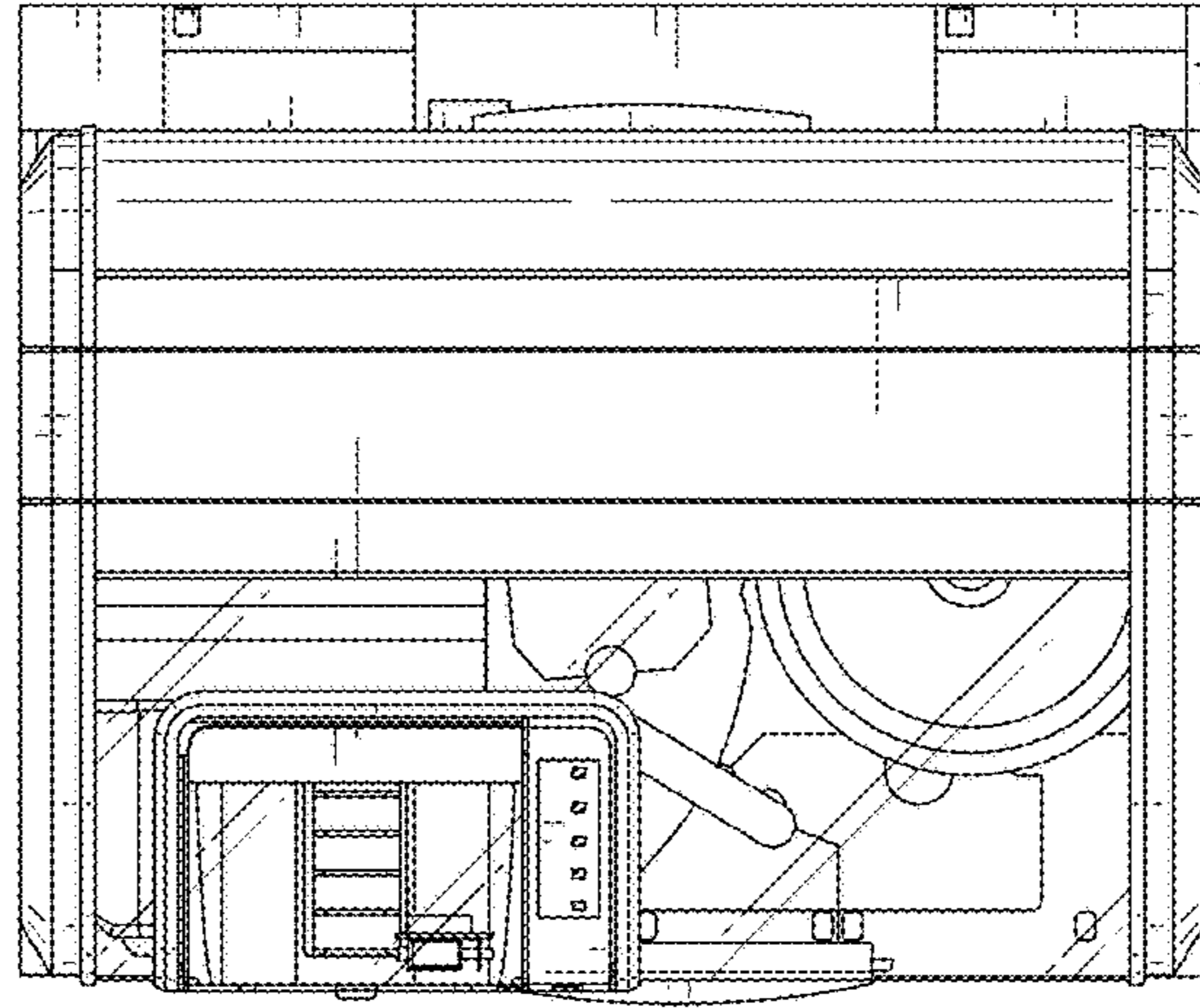


FIG. 5

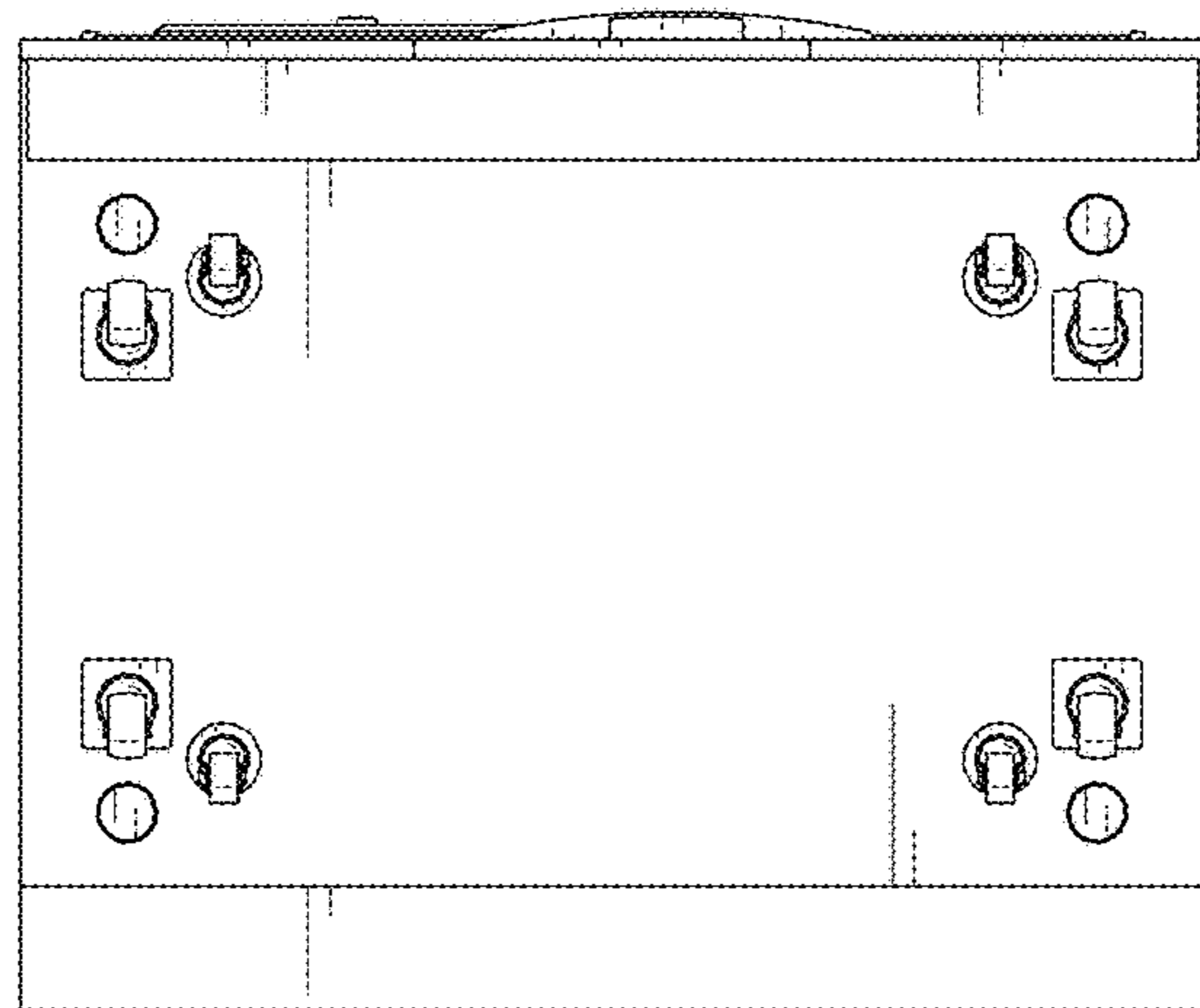


FIG. 6

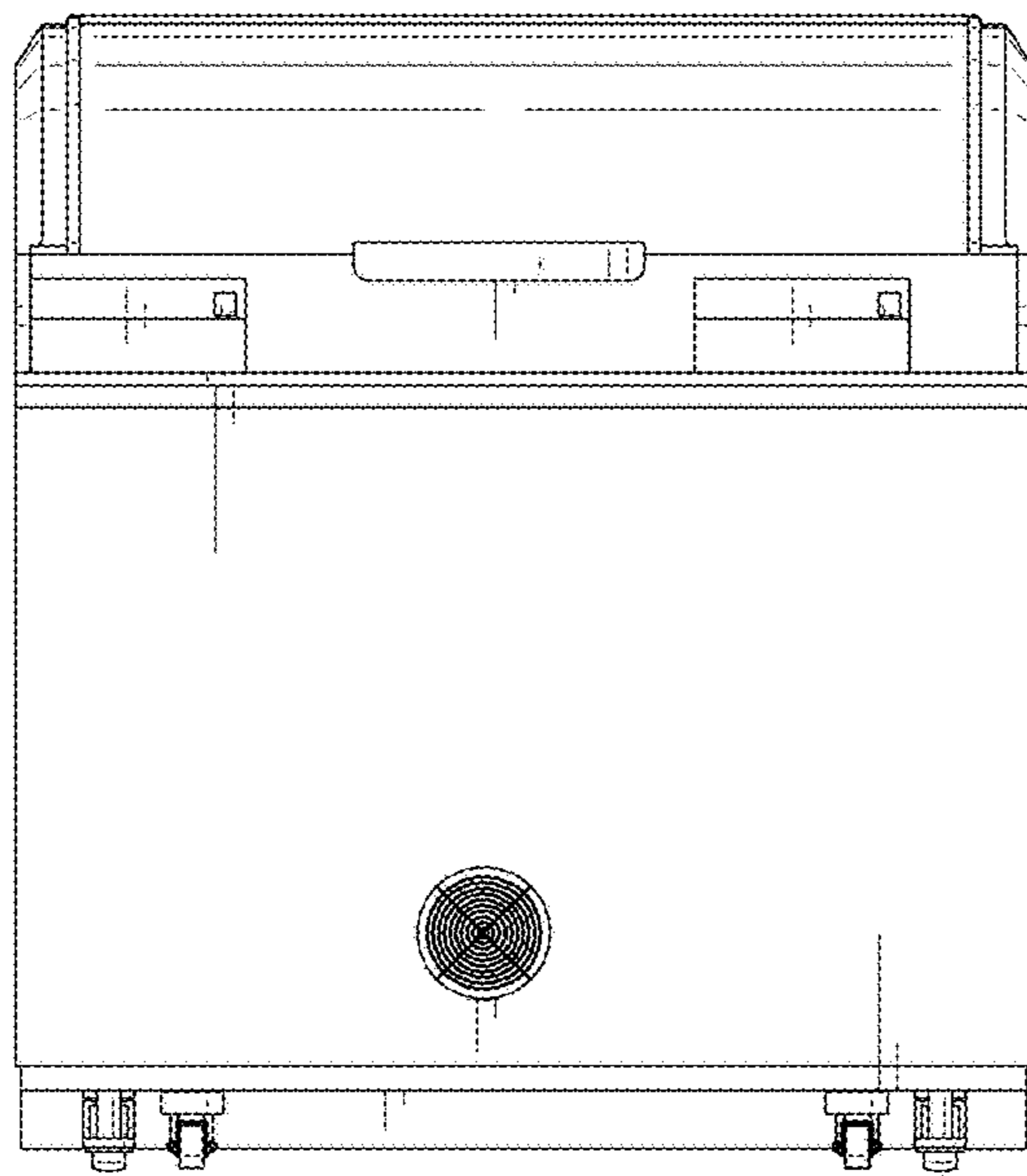


FIG. 7

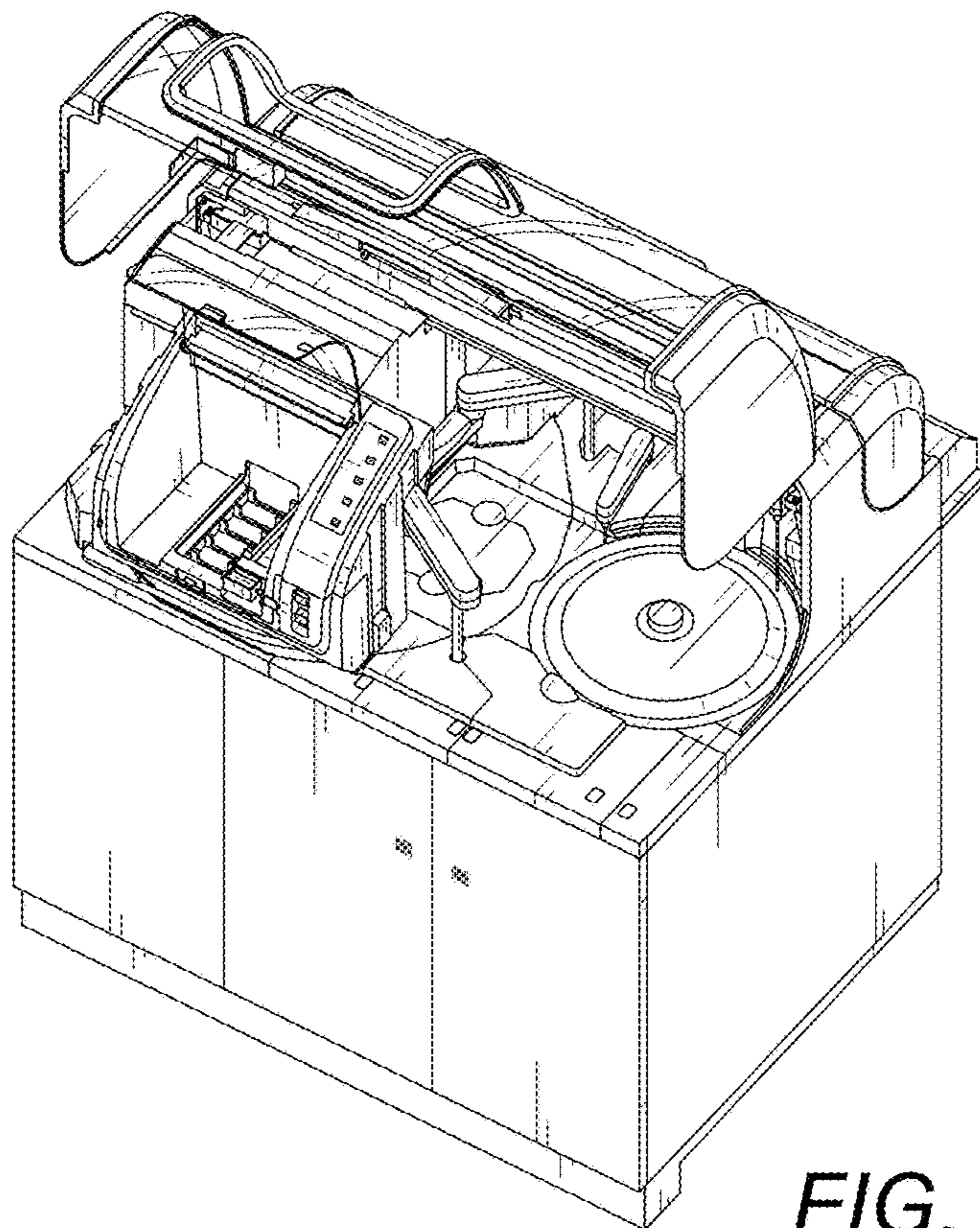


FIG. 8

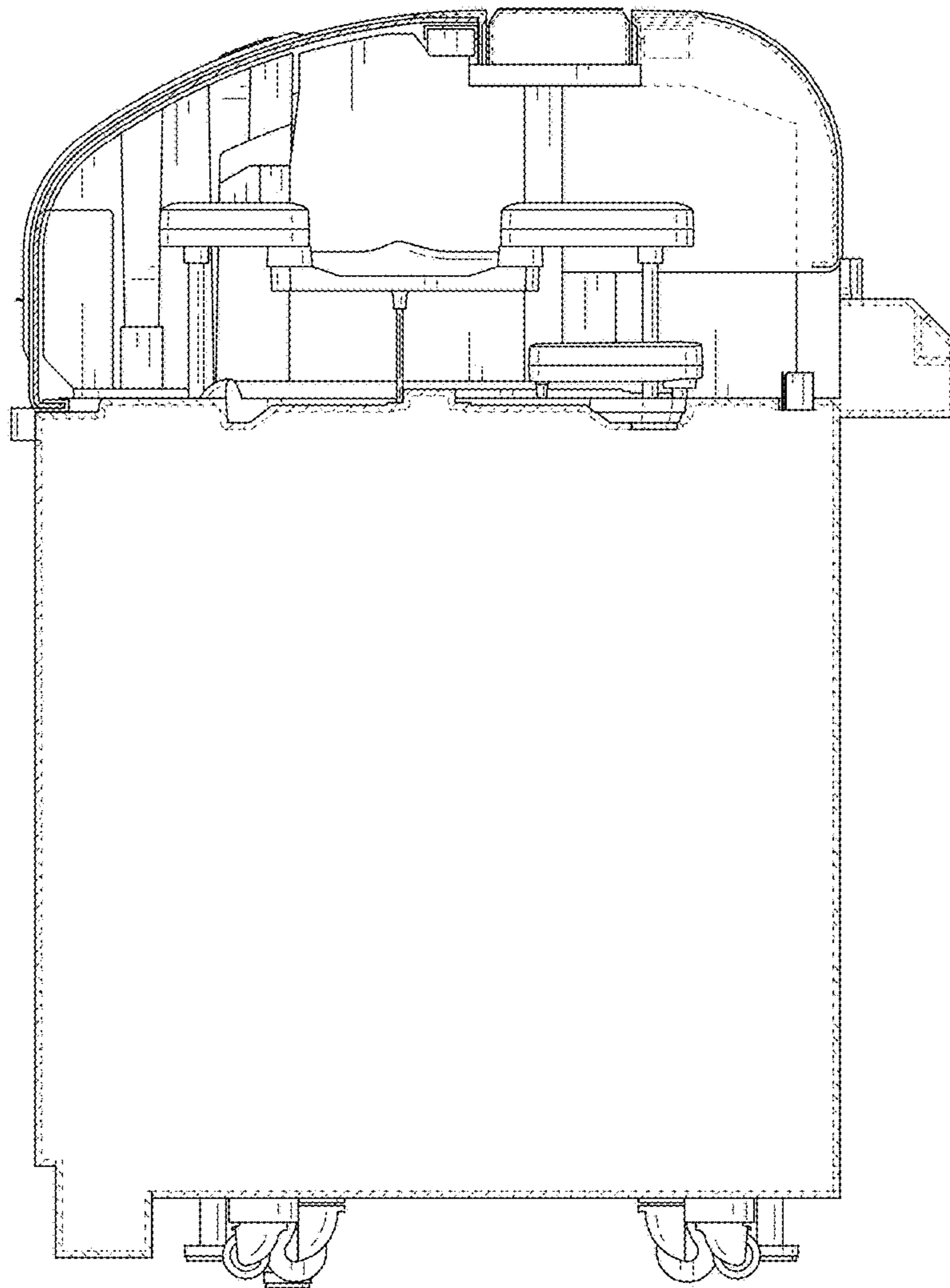


FIG. 9

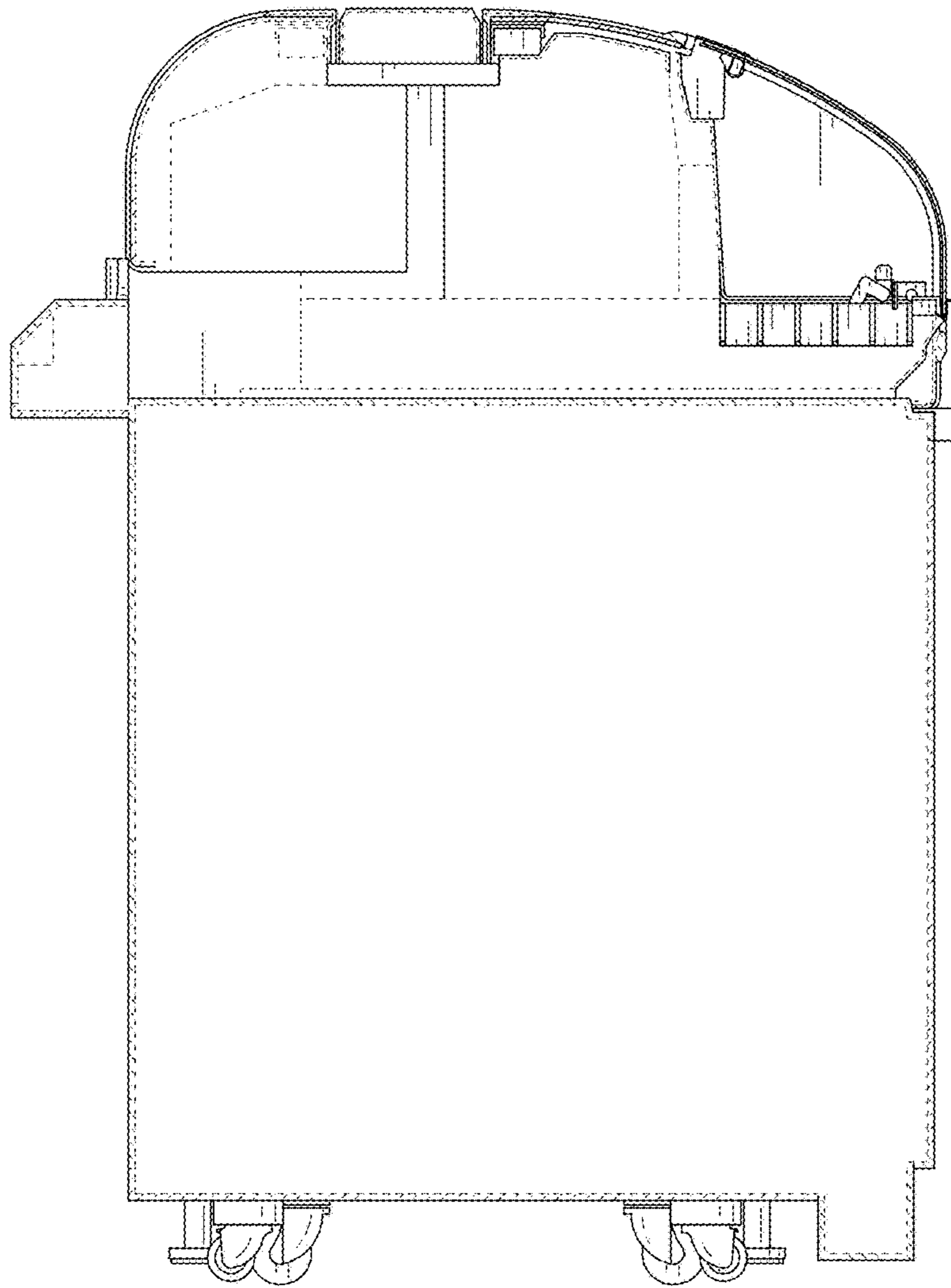


FIG. 10