

US00D846135S

(12) **United States Design Patent** (10) **Patent No.:** **US D846,135 S**  
**Pham et al.** (45) **Date of Patent:** **\*\* Apr. 16, 2019**

(54) **PEDICURE SPA**  
(71) Applicants: **Tri Huu Pham**, Sugar Land, TX (US);  
**Tony Thuy Mai**, Pearland, TX (US)  
(72) Inventors: **Tri Huu Pham**, Sugar Land, TX (US);  
**Tony Thuy Mai**, Pearland, TX (US)  
(\*\*) Term: **15 Years**

D685,103 S \* 6/2013 Ton ..... D24/204  
D701,968 S \* 4/2014 Le ..... D24/204  
D702,843 S \* 4/2014 Mai ..... D24/204  
D757,283 S \* 5/2016 Ton ..... D24/204  
D760,910 S \* 7/2016 Jan ..... D24/204  
D762,995 S 8/2016 Galati et al.  
D780,320 S \* 2/2017 Ton ..... D24/204  
2005/0204466 A1 9/2005 Luong  
2014/0259375 A1\* 9/2014 Ton ..... A61H 35/006  
4/622

(21) Appl. No.: **29/612,239**  
(22) Filed: **Jul. 31, 2017**  
(51) **LOC (11) Cl.** ..... **23-02**  
(52) **U.S. Cl.**  
USPC ..... **D24/204**  
(58) **Field of Classification Search**  
USPC ..... D24/201-205, 213; D23/284;  
D6/708.17, 708.18; D28/56  
CPC ..... A61H 33/6005; A61H 33/6021; A61H  
33/6089; A61H 33/6094; A61H 2035/004;  
A61H 35/006; A47K 3/022; A47K 3/062  
See application file for complete search history.

**OTHER PUBLICATIONS**

T4 Concepts & Designs, LLC, Product Catalog, 2007, T4 Concepts & Designs, LLC, Baton Rouge, LA, USA.

\* cited by examiner

*Primary Examiner* — Anhdao Doan  
(74) *Attorney, Agent, or Firm* — Buche & Associates, P.C.; John K. Buche; Scott D. Compton

(57) **CLAIM**

The ornamental design for a pedicure spa, as shown and described.

(56) **References Cited**

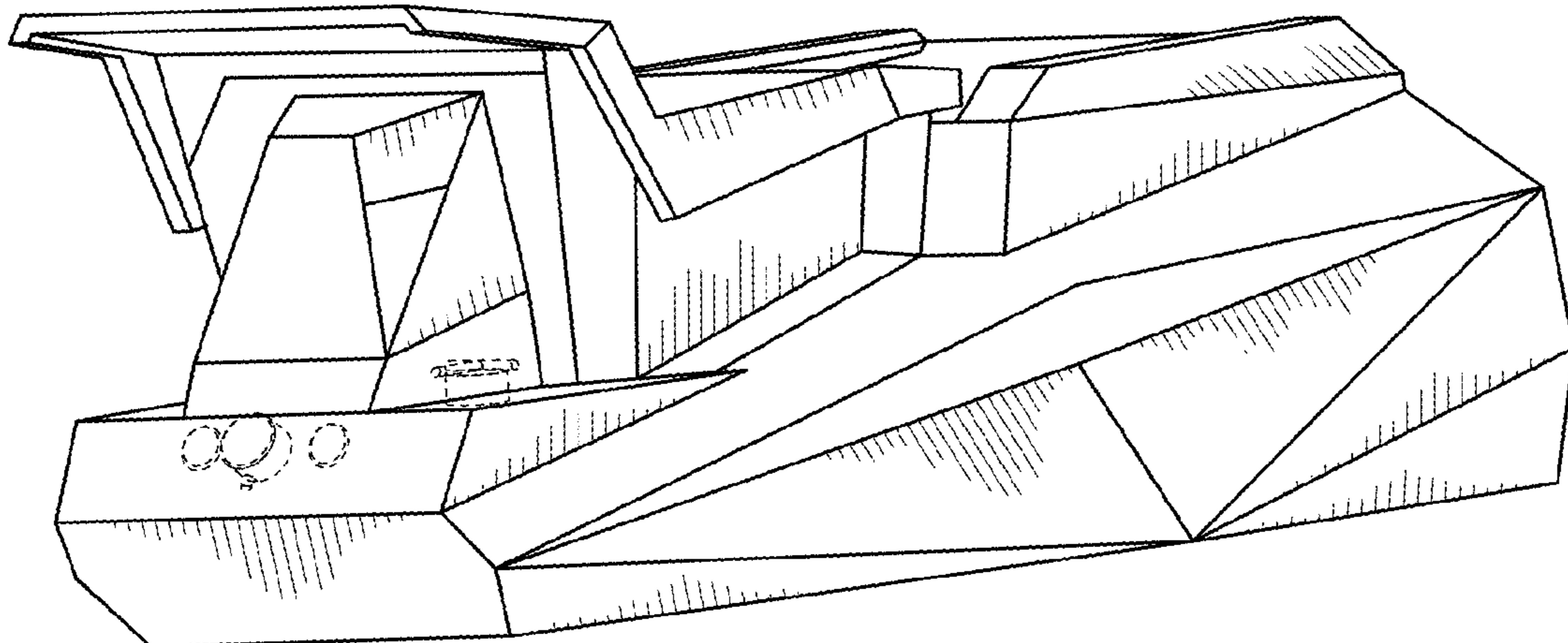
**U.S. PATENT DOCUMENTS**

D457,018 S 5/2002 Park  
D561,903 S 2/2008 Ton  
D571,961 S 2/2008 Nguyen  
D571,018 S 6/2008 Ton  
D574,502 S 8/2008 Ton  
D588,707 S 3/2009 Mai et al.  
D592,312 S \* 5/2009 Cheng ..... D24/204  
D598,120 S 8/2009 Mai et al.  
D608,454 S 1/2010 Mai et al.  
D614,306 S 4/2010 Mai  
D616,560 S \* 5/2010 Cong ..... D24/204  
D627,075 S 11/2010 Galati et al.  
D638,548 S 5/2011 Le et al.  
D641,485 S 7/2011 Mai  
D647,625 S 10/2011 Le et al.  
D664,664 S \* 7/2012 Mai ..... D24/204  
8,296,874 B2 10/2012 Galati et al.

**DESCRIPTION**

FIG. 1 is a front perspective view of a pedicure spa showing our new design;  
FIG. 2 is a front view of the pedicure spa;  
FIG. 3 is a rear view of the pedicure spa;  
FIG. 4 is a right side view of the pedicure spa;  
FIG. 5 is a left side view of the pedicure spa;  
FIG. 6 is a top view of the pedicure spa; and,  
FIG. 7 is a bottom view of the pedicure spa.  
The broken lines immediately adjacent the shaded areas represent the bounds of the claim, while all other broken lines are directed to environment and are for illustrative purposes only; the broken lines form no part of the claimed design.

**1 Claim, 3 Drawing Sheets**



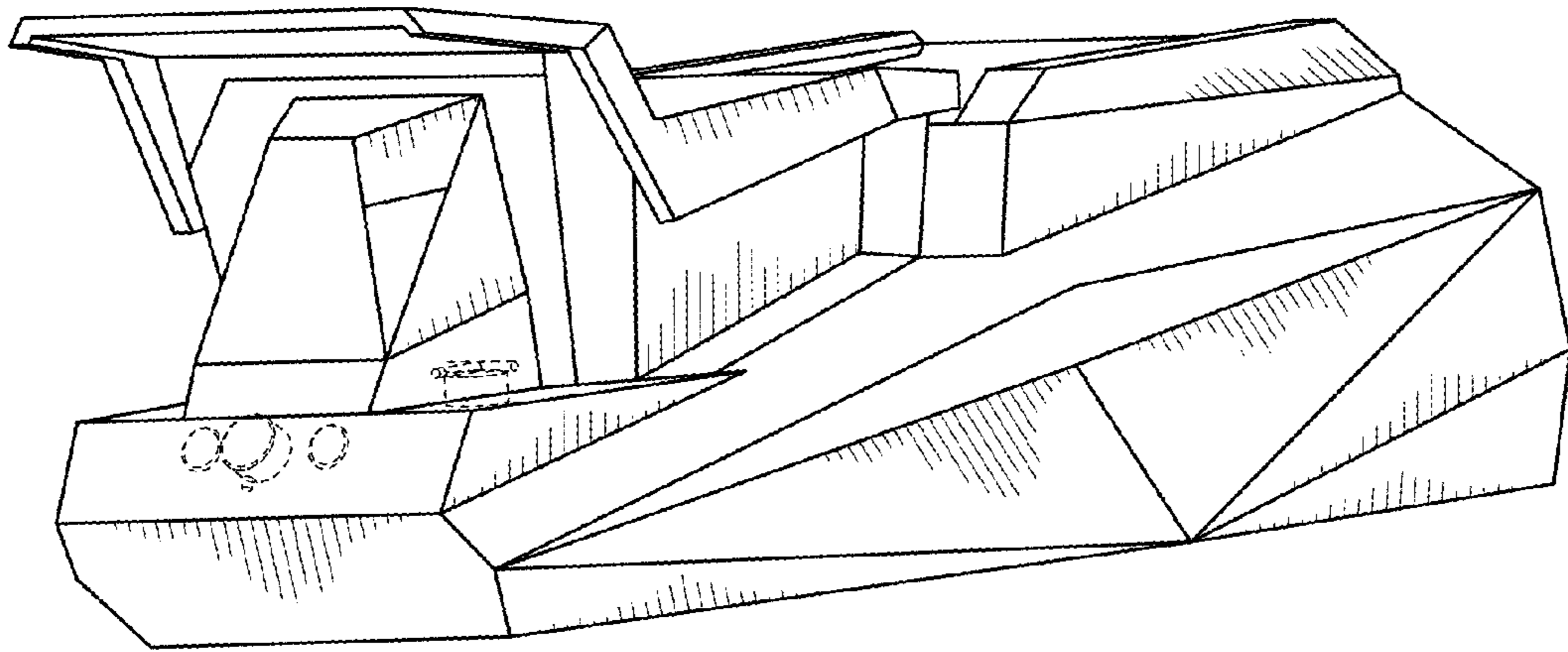


FIG. 1

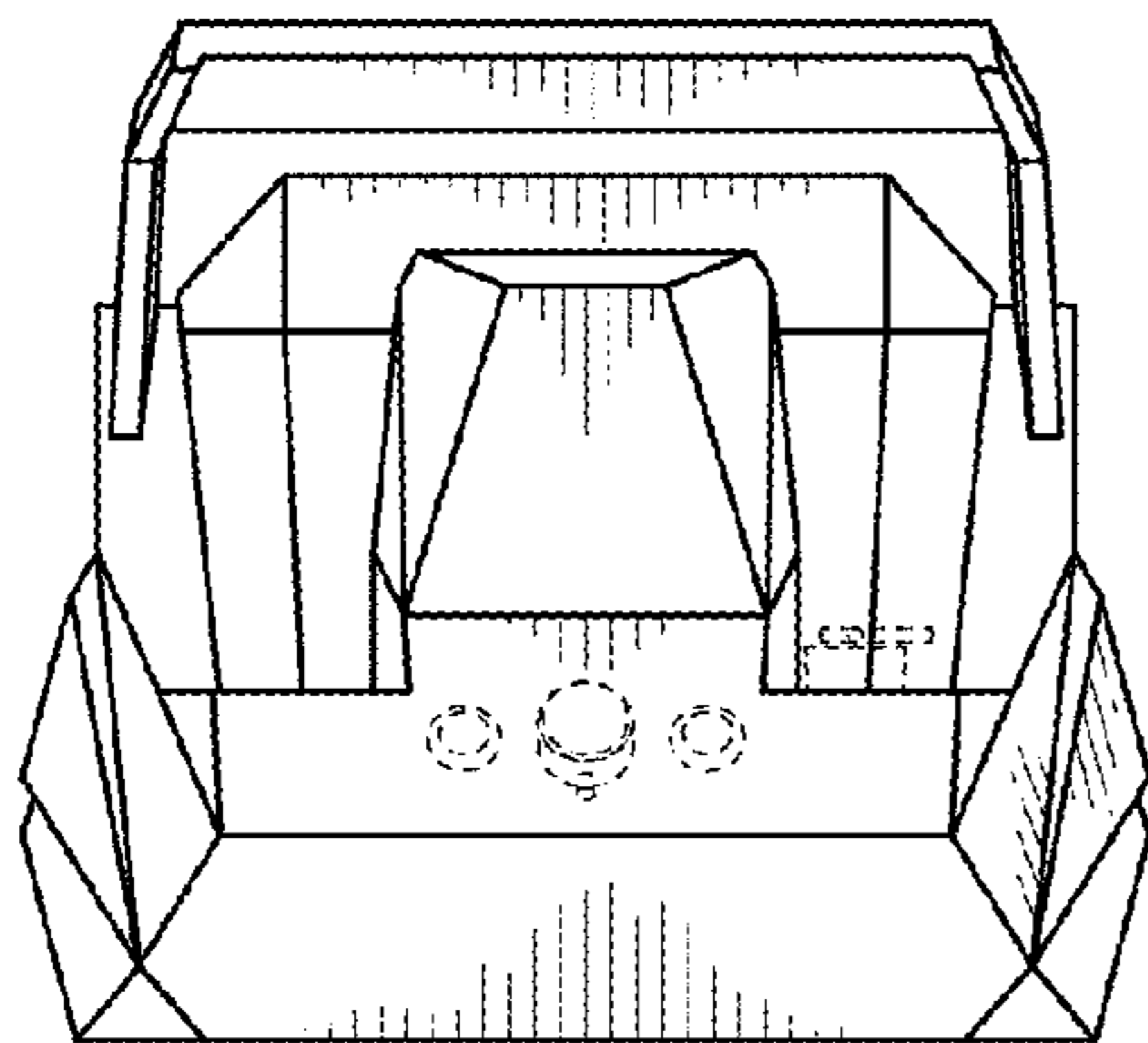


FIG. 2

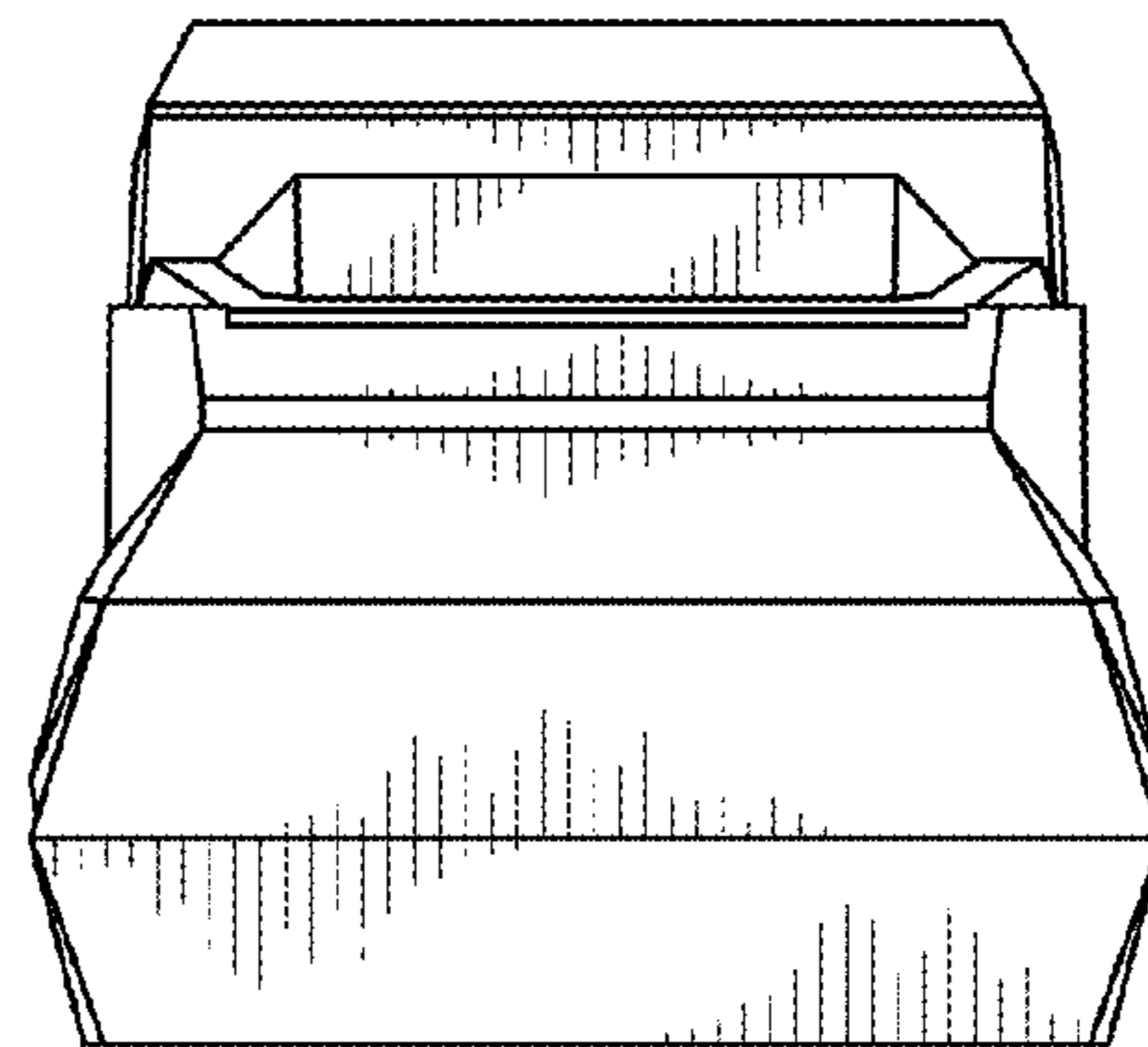


FIG. 3

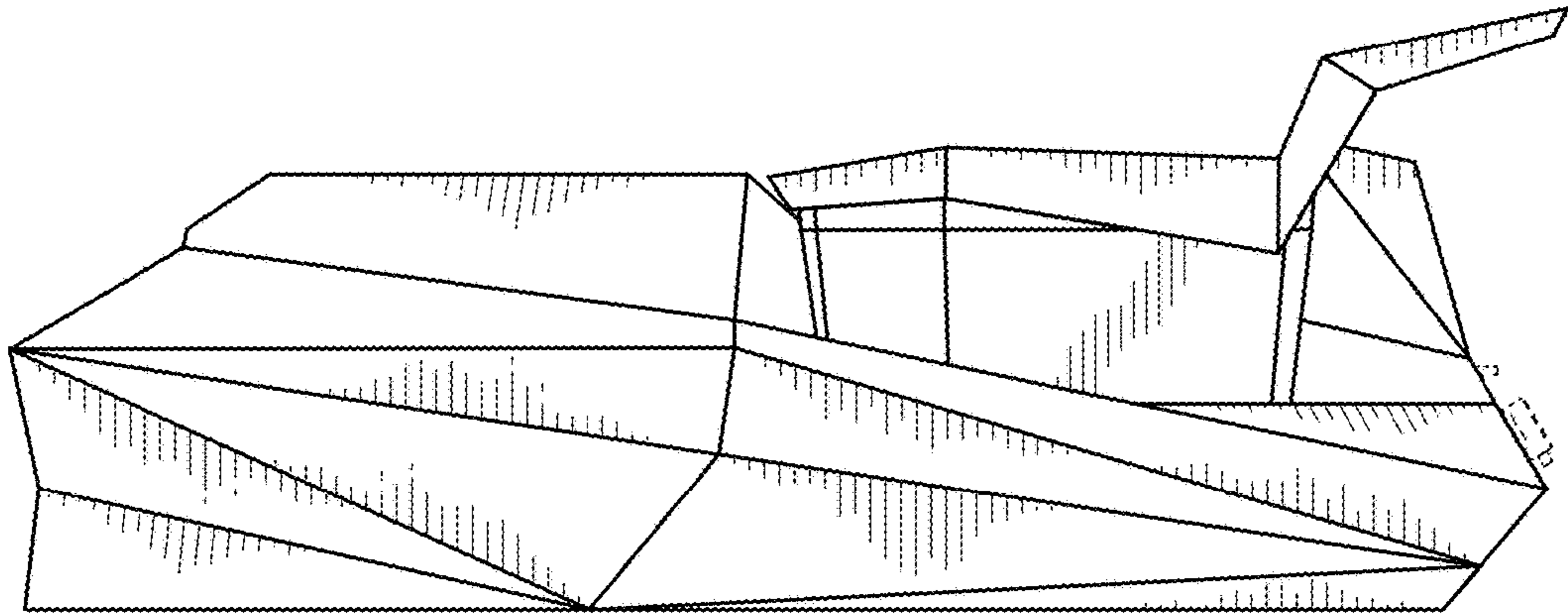


FIG. 4

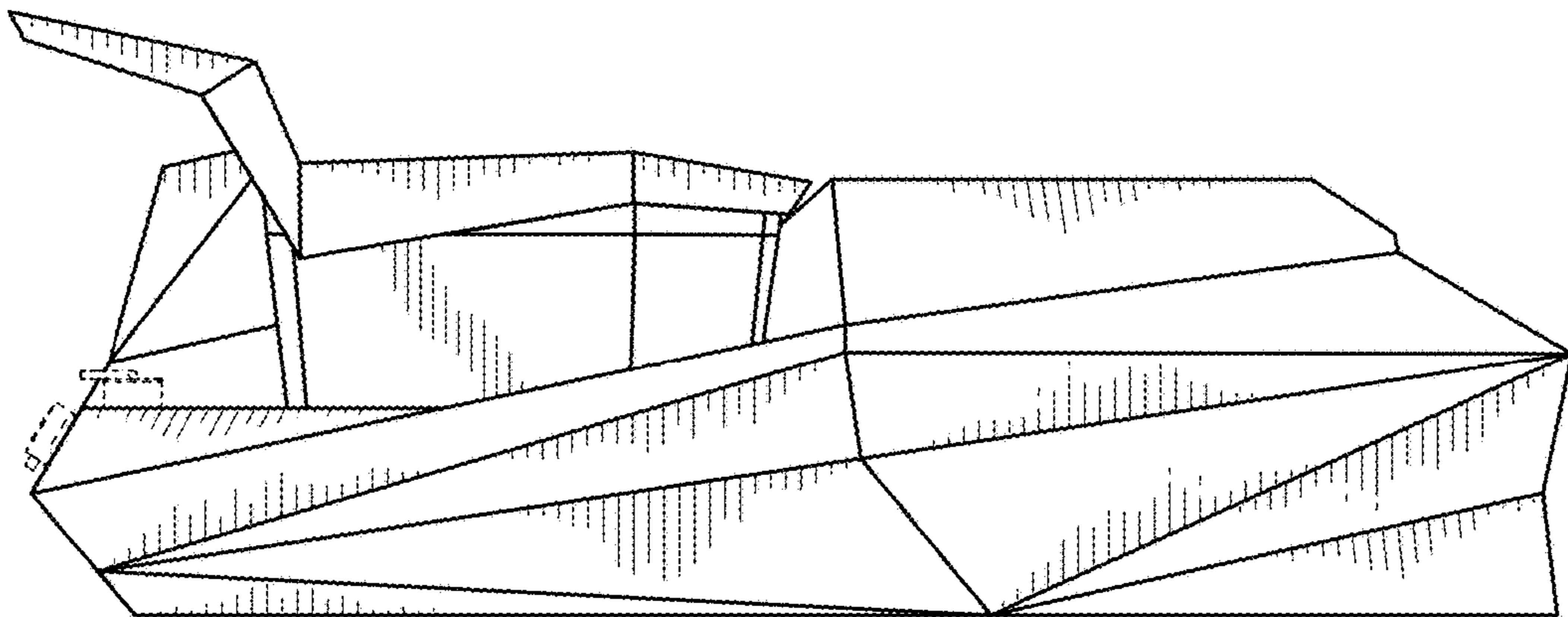


FIG. 5



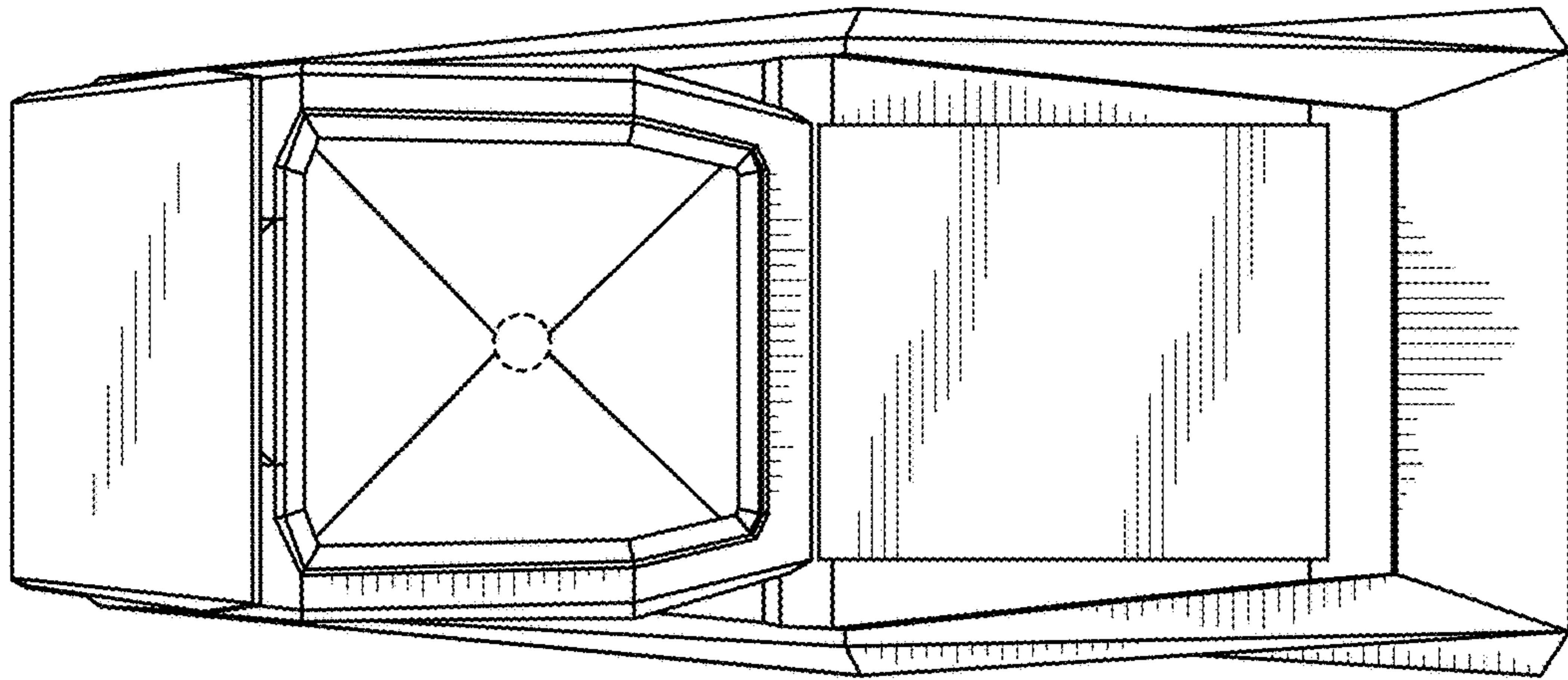


FIG. 6

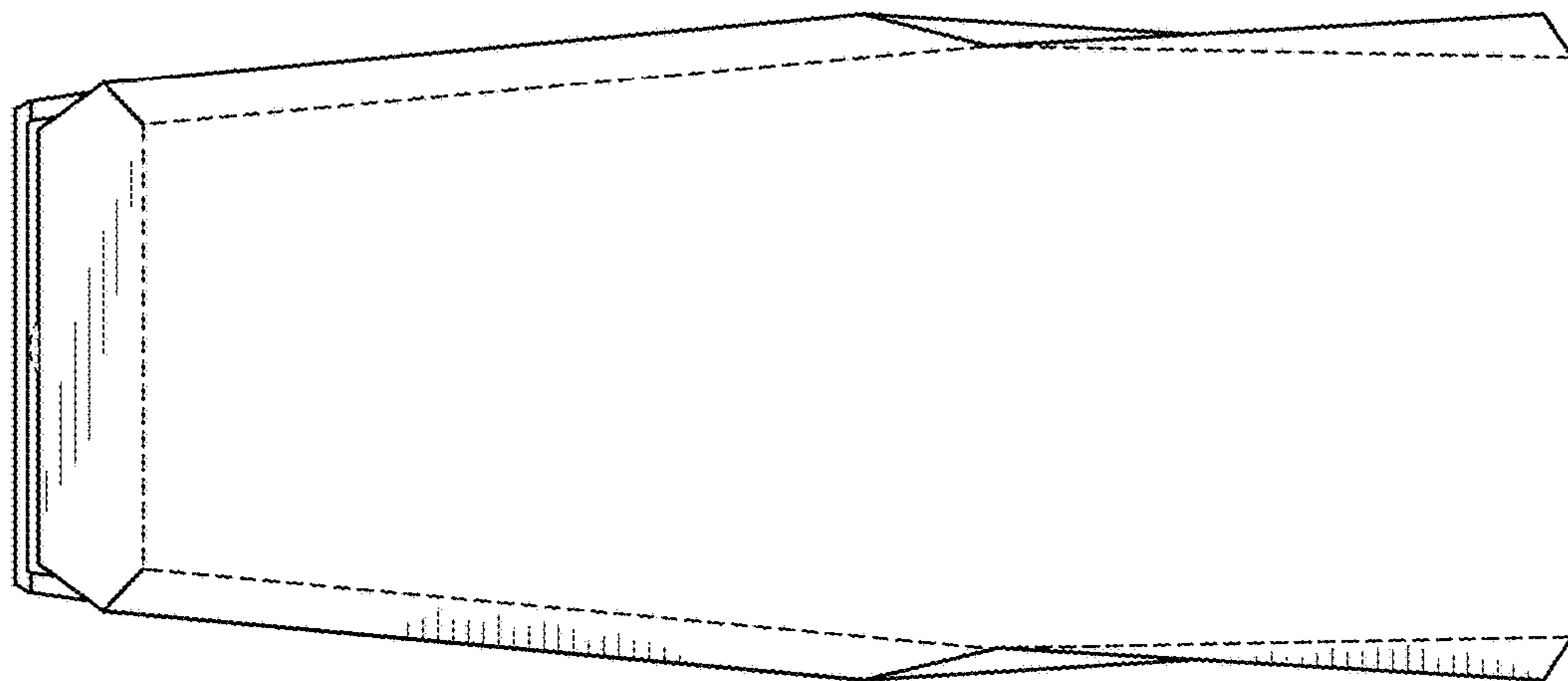


FIG. 7