



US00D846134S

(12) **United States Design Patent** (10) **Patent No.:** **US D846,134 S**
Pham (45) **Date of Patent:** **** Apr. 16, 2019**

(54) **PEDICURE SPA BODY**
(71) Applicant: **Tri Huu Pham**, Sugar Land, TX (US)
(72) Inventor: **Tri Huu Pham**, Sugar Land, TX (US)
(**) Term: **15 Years**
(21) Appl. No.: **29/612,053**
(22) Filed: **Jul. 27, 2017**
(51) **LOC (11) Cl.** **23-02**
(52) **U.S. Cl.**
USPC **D24/204**
(58) **Field of Classification Search**
USPC D24/201-205, 213; D23/284;
D6/708.17, 708.18; D28/56
CPC A61H 33/6005; A61H 33/6021; A61H
33/6089; A61H 33/6094; A61H 2035/004;
A61H 35/006; A47K 3/022; A47K 3/062
See application file for complete search history.

D701,967 S * 4/2014 Mai D24/204
D702,844 S * 4/2014 Mai D24/204
D727,516 S * 4/2015 Le D24/204
D757,284 S * 5/2016 Le D24/204
D762,995 S 8/2016 Galati et al.
D782,688 S * 3/2017 Tran D24/204
2005/0204466 A1 9/2005 Luong
2014/0259375 A1* 9/2014 Ton A61H 35/006
4/622

(56) **References Cited**
U.S. PATENT DOCUMENTS
D457,018 S 5/2002 Park
D549,876 S * 8/2007 Le D24/205
D561,903 S 2/2008 Ton
D571,961 S 2/2008 Nguyen
D571,018 S 6/2008 Ton
D574,502 S 8/2008 Ton
D588,707 S 3/2009 Mai et al.
D588,844 S * 3/2009 Tran D6/708.18
D590,188 S * 4/2009 Tran D6/708.18
D598,120 S 8/2009 Mai et al.
D608,454 S 1/2010 Mai et al.
D614,306 S 4/2010 Mai
D627,075 S 11/2010 Galati et al.
D638,548 S 5/2011 Le et al.
D641,485 S 7/2011 Mai
D647,625 S 10/2011 Le et al.
8,296,874 B2 10/2012 Galati et al.

OTHER PUBLICATIONS

T4 Concepts & Designs, LLC, Product Catalog, 2007, T4 Concepts & Designs, LLC, Baton Rouge, LA, USA.

* cited by examiner

Primary Examiner — Anhdao Doan
(74) *Attorney, Agent, or Firm* — Buche & Associates, P.C.; John K. Buche; Scott D. Compton

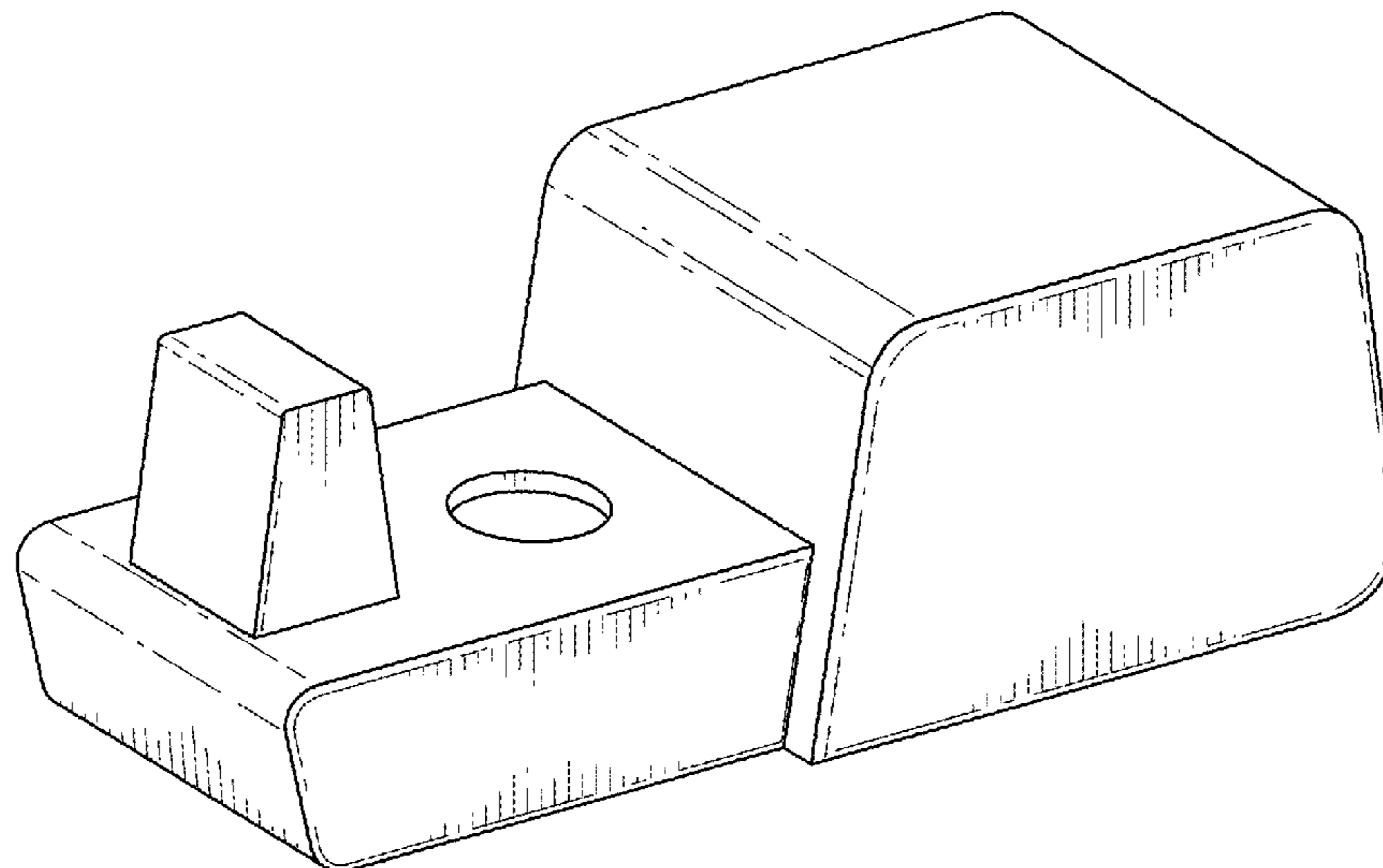
(57) **CLAIM**

The ornamental design for a pedicure spa body, as shown and described.

DESCRIPTION

FIG. 1 is a front, top perspective view of a pedicure spa body showing my new design;
FIG. 2 is a front view of the pedicure spa body;
FIG. 3 is a rear view of the pedicure spa body;
FIG. 4 is a left side view of the pedicure spa body;
FIG. 5 is a right side view of the pedicure spa body;
FIG. 6 is a top view of the pedicure spa body;
FIG. 7 is a bottom view of the pedicure spa body; and,
FIG. 8 is a front, top perspective view of the pedicure spa body.
The broken lines are directed to environment and are for illustrative purposes only. The broken lines form no part of the claimed design.

1 Claim, 4 Drawing Sheets



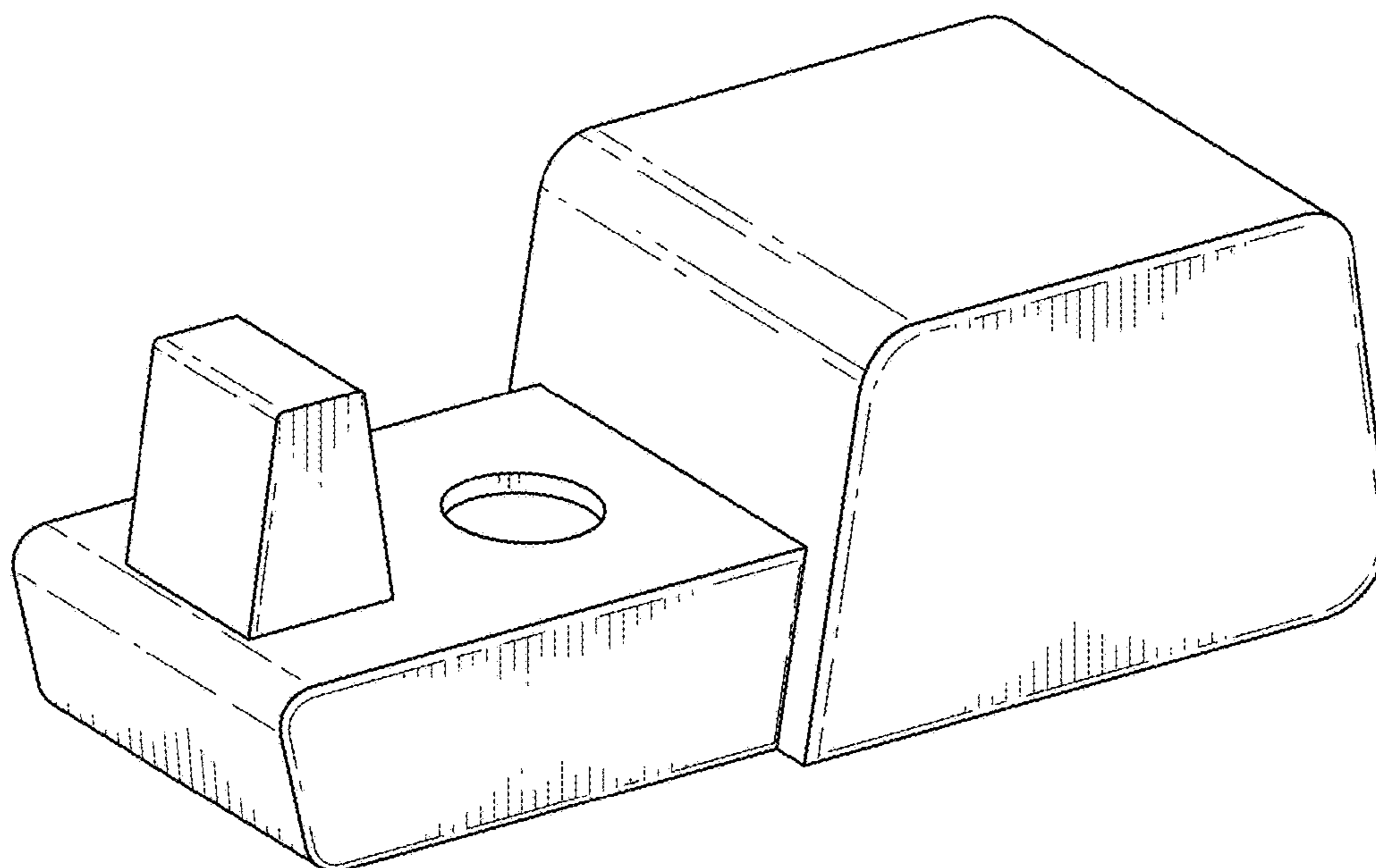


FIG. 1

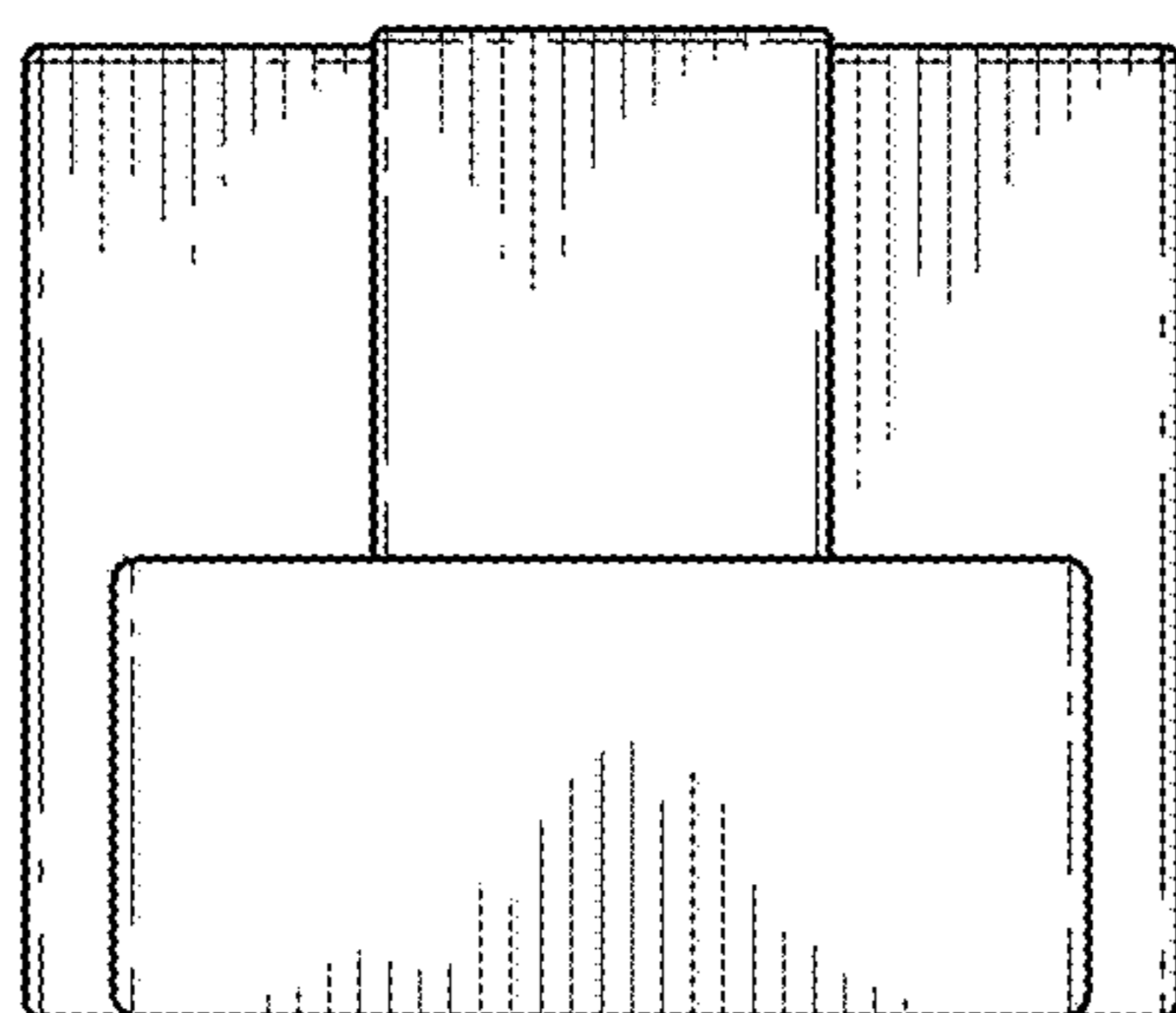


FIG. 2

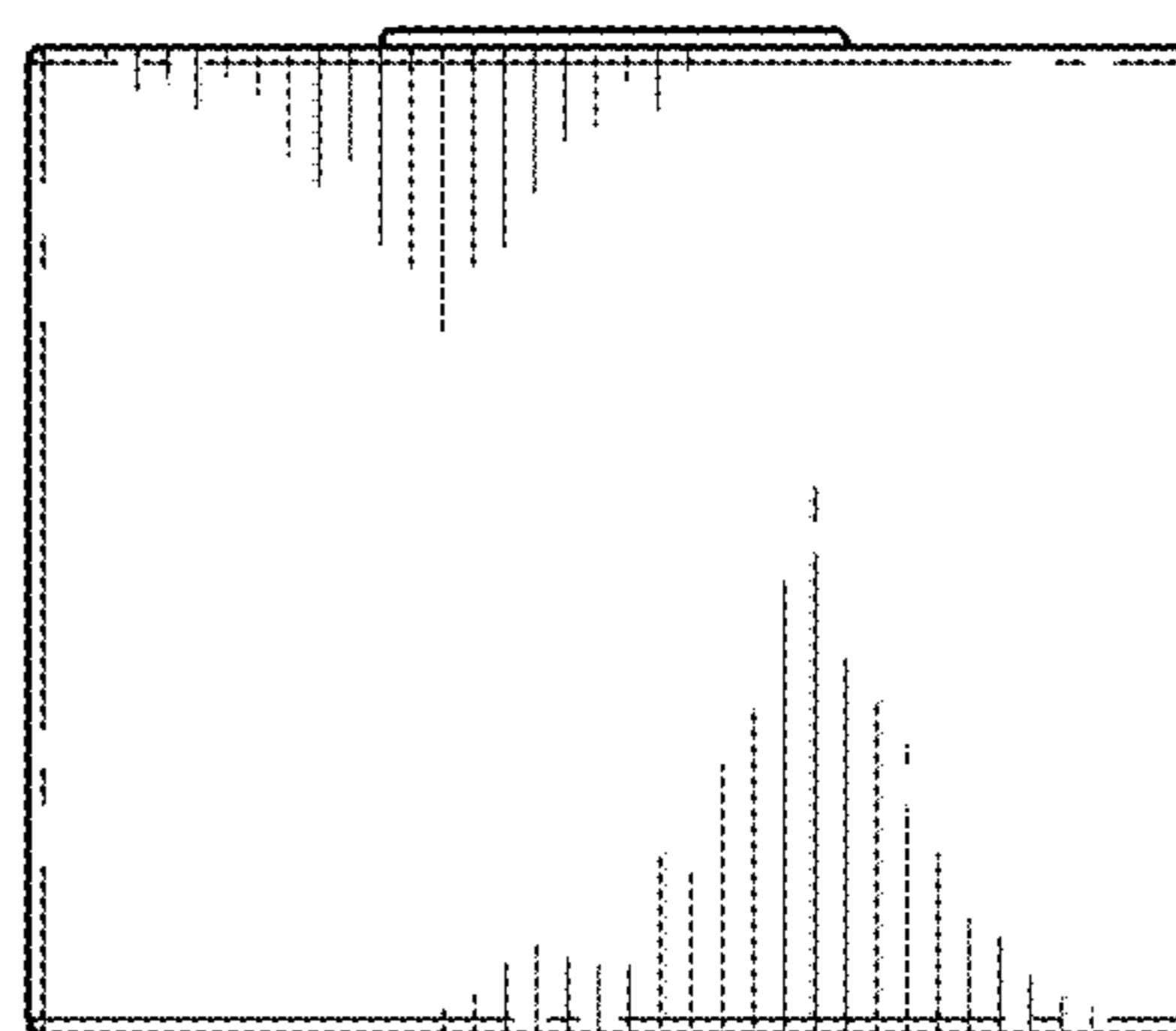


FIG. 3

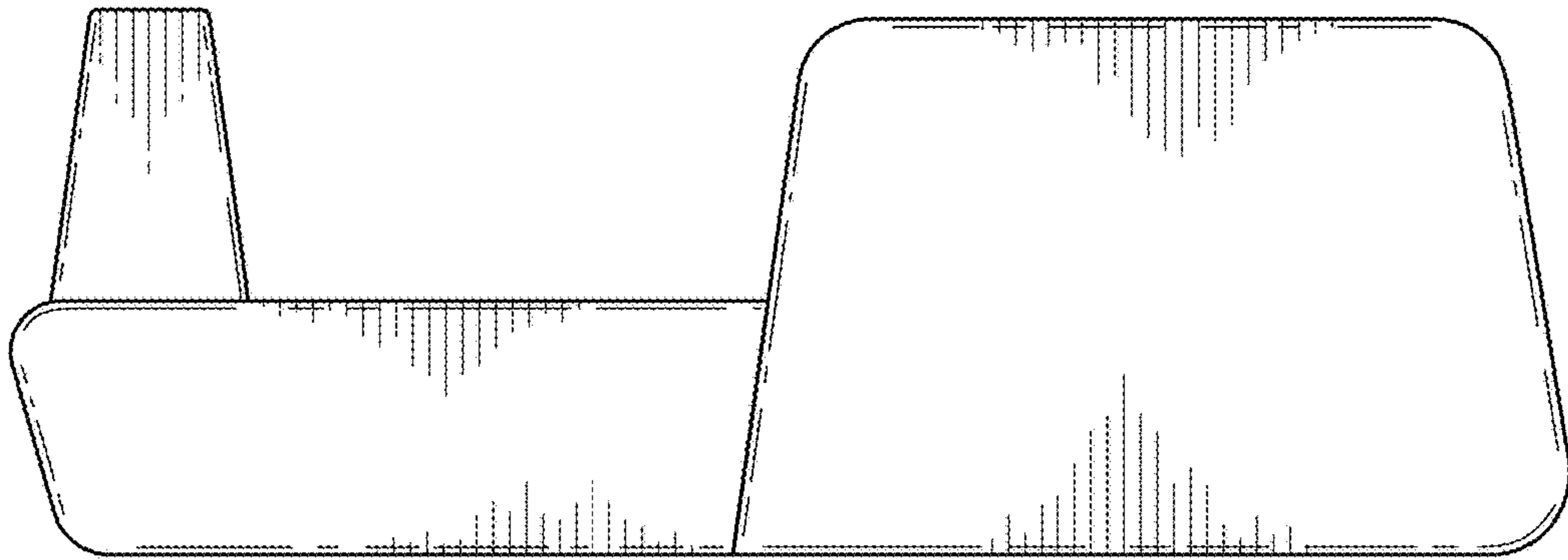


FIG. 4

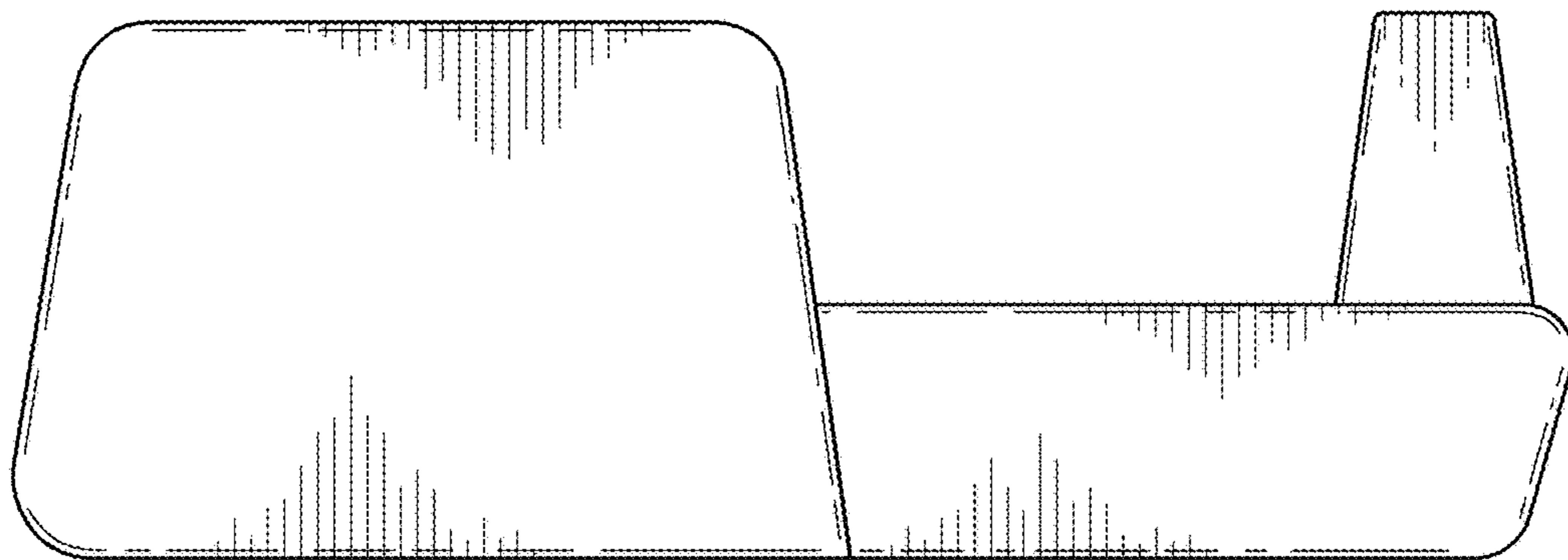


FIG. 5

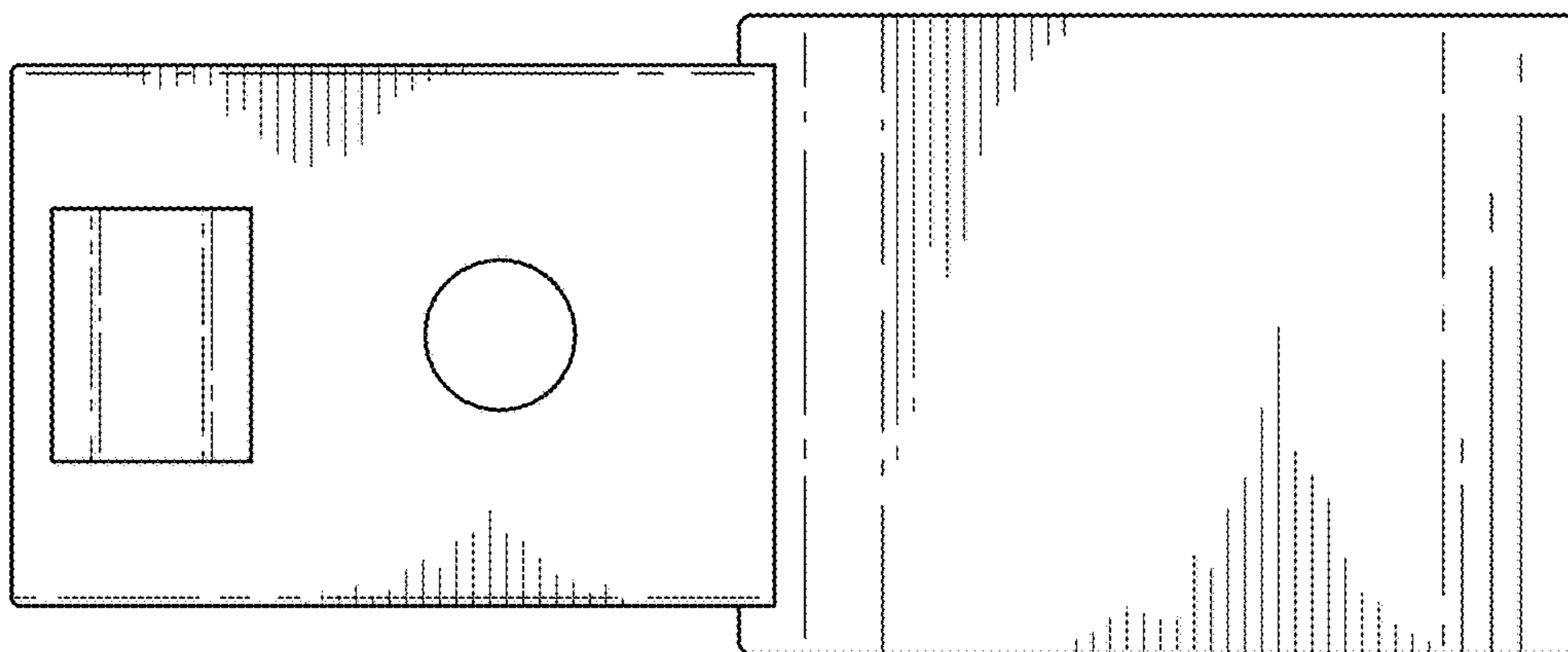


FIG. 6

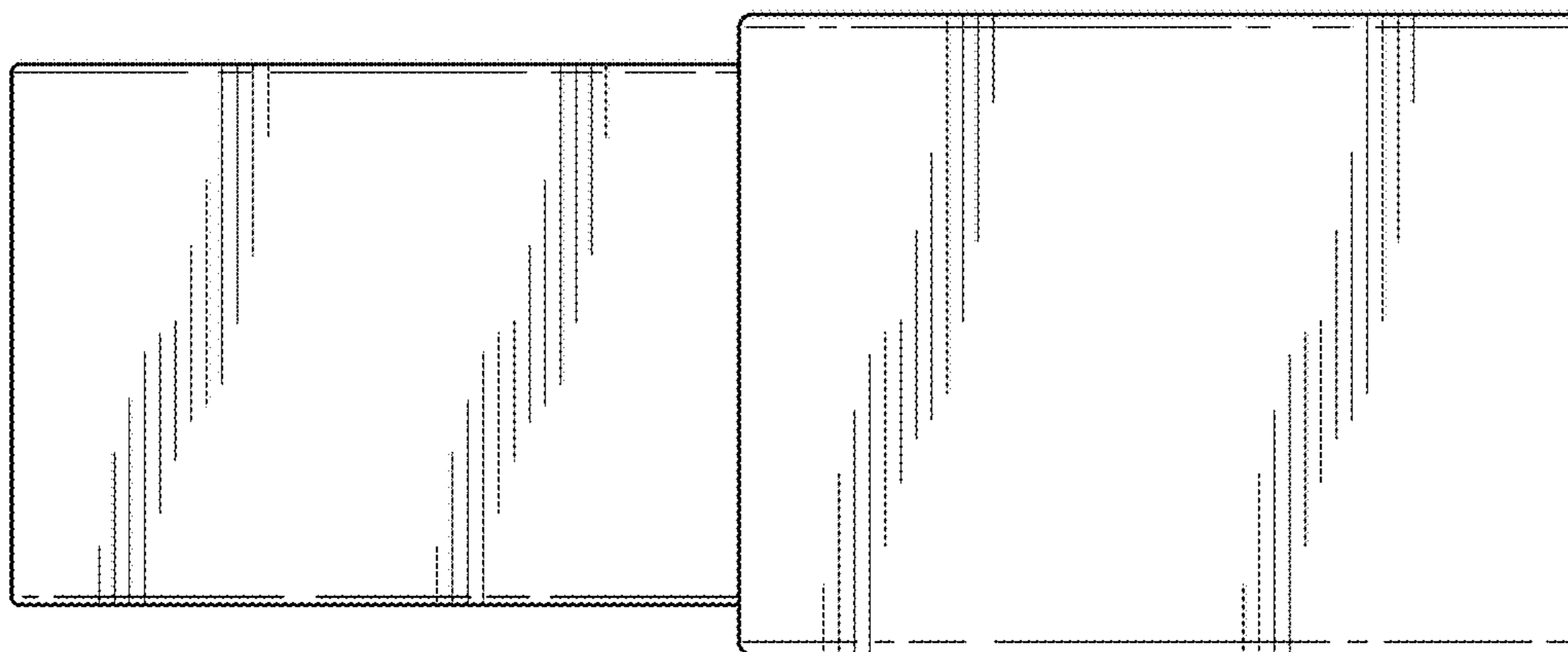


FIG. 7

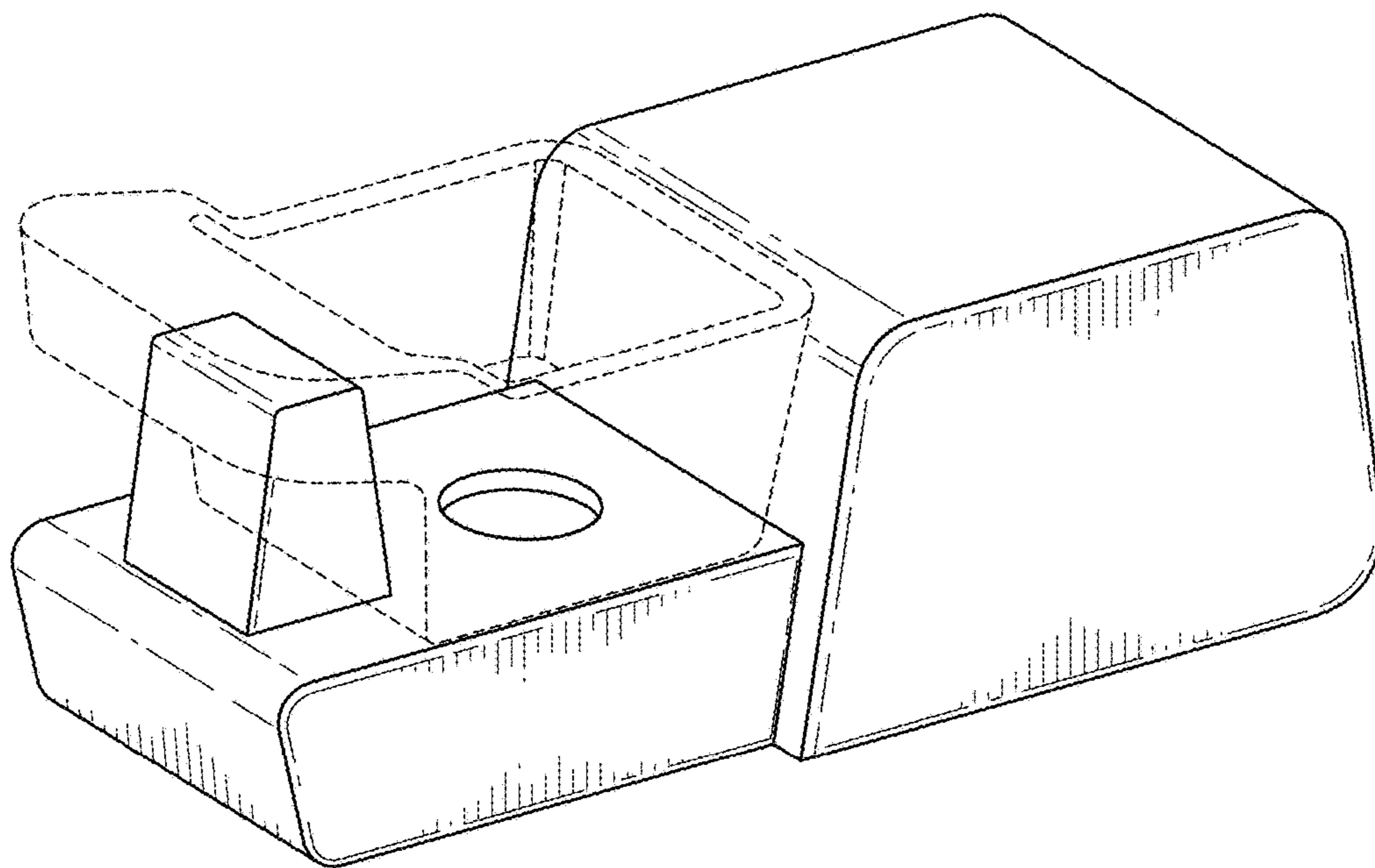


FIG. 8