

US00D846132S

(12) **United States Design Patent** (10) **Patent No.:** **US D846,132 S**
Clores (45) **Date of Patent:** **** Apr. 16, 2019**

- (54) **BABY BOTTLE NIPPLE**
- (71) Applicant: **Edgardo Clores**, Las Vegas, NV (US)
- (72) Inventor: **Edgardo Clores**, Las Vegas, NV (US)
- (73) Assignee: **MACE CORPORATION**, Las Vegas, NV (US)
- (**) Term: **15 Years**
- (21) Appl. No.: **29/573,337**
- (22) Filed: **Aug. 4, 2016**
- (51) **LOC (11) Cl.** **24-04**
- (52) **U.S. Cl.**
USPC **D24/196**
- (58) **Field of Classification Search**
USPC D24/193, 194, 195, 196, 197, 198, 199;
215/11.1, 11.2, 11.3, 11.4, 11.5, 11.6;
606/236
CPC A61J 11/00; A61J 11/0035; A61J 11/002
See application file for complete search history.

(56) **References Cited**

U.S. PATENT DOCUMENTS

2,960,088	A *	11/1960	Witz	A61J 11/0085
					137/846
D262,576	S *	1/1982	Anderson-Shanklin	D24/196
D288,241	S *	2/1987	Fuller	D24/196
D315,409	S *	3/1991	Baarber	D7/510
D444,239	S *	6/2001	Kobayashi	D24/196
D520,142	S *	5/2006	Mallet	D24/196
D666,731	S *	9/2012	Mustecaplioğlu	D24/197
D714,950	S *	10/2014	Lo	D7/602
D724,747	S *	3/2015	Lo	D24/194
D734,476	S *	7/2015	Chaitanarit	D24/196

2003/0093121	A1 *	5/2003	Randolph	A61J 11/0035
					606/236
2011/0054527	A1 *	3/2011	Murphy Matro	A61J 17/001
					606/236
2015/0164748	A1 *	6/2015	Brown	A61J 11/0015
					215/11.5

OTHER PUBLICATIONS

“Mace Corporation: New Generation Baby Bottle”. Found online Mar. 2, 2018 at macebaby.blogspot.com. Page dated Nov. 17, 2016. Retrieved from <http://macebaby.blogspot.com/2016/11/new-generation-baby-bottle-by-mace.html>.*

“NUK Simply Natural Fast Flow Nipple”. Found online May 23, 2018 at amazon.in. Page dated Mar. 16, 2017. Retrieved from https://www.amazon.in/NUK-Simply-Natural-Fast-Nipple/dp/B01LZYZL97/ref=sr_1_14?ie=UTF8&qid=1527108913&sr=8-14&keywords=nuk+nipple.*

(Continued)

Primary Examiner — George D. Kirschbaum
Assistant Examiner — Kendra Leslie Hamilton
 (74) *Attorney, Agent, or Firm* — Weiss & Moy, P.C.;
 Jeffrey D. Moy

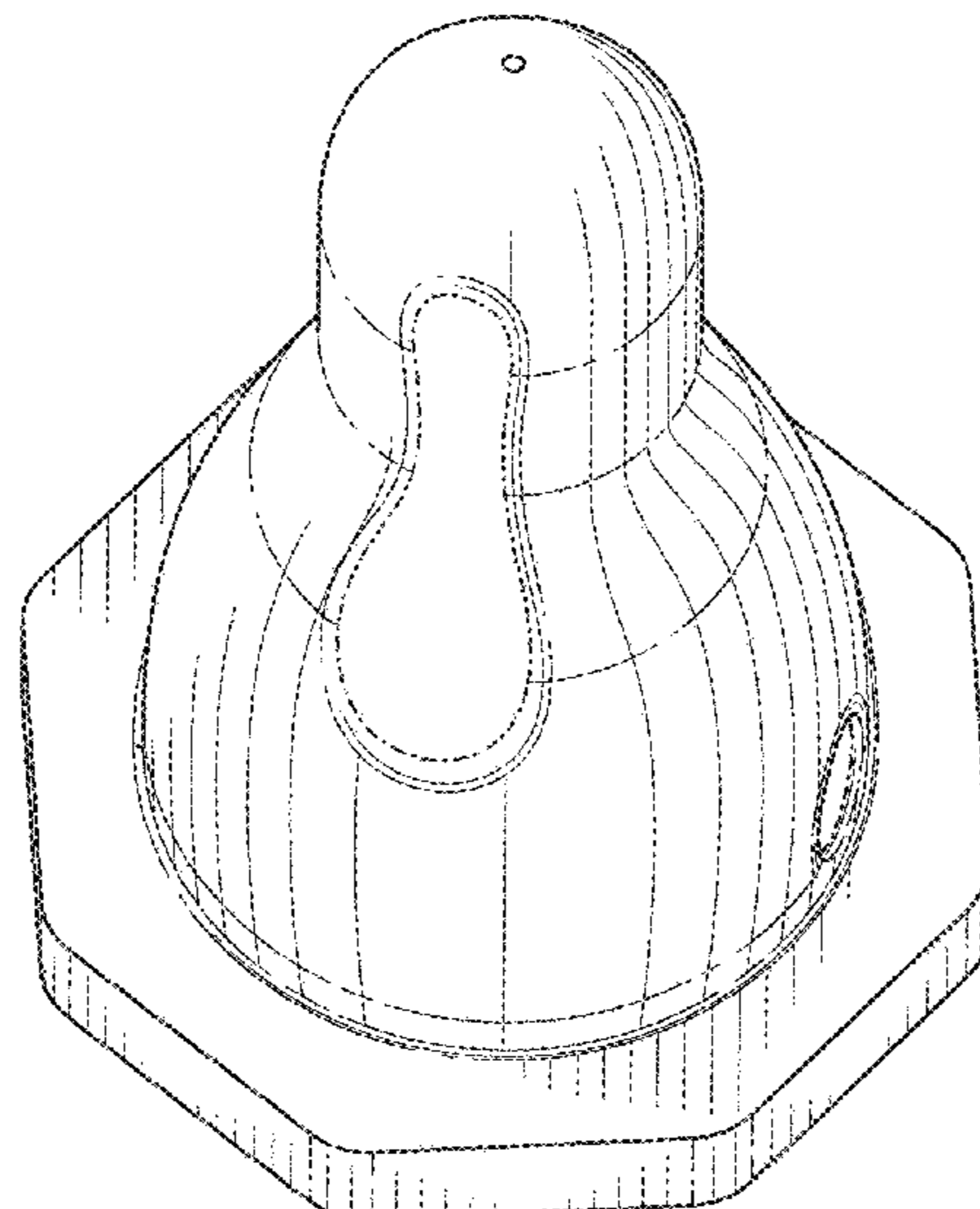
(57) **CLAIM**

The ornamental design for a baby bottle nipple, as shown and described.

DESCRIPTION

FIG. 1 is a top front right perspective view of a baby bottle nipple, showing my new design;
 FIG. 2 is a front elevation view thereof;
 FIG. 3 is a rear elevation view thereof;
 FIG. 4 is a left side elevation view thereof;
 FIG. 5 is a right side elevation view thereof;
 FIG. 6 is a top plan view thereof; and,
 FIG. 7 is a bottom plan view thereof.
 The evenly-spaced broken lines in FIG. 7 depict portions of the baby bottle nipple that form no part of the claimed design. The dash-dot-dash broken lines in all of the views depict the boundaries of the claimed design.

1 Claim, 4 Drawing Sheets



(56)

References Cited

OTHER PUBLICATIONS

“NUK Ready to Feed Latex Orthodontic Nipples”. Found online May 23, 2018 at amazon.co.uk. Page dated Aug. 8, 2015. Retrieved from https://www.amazon.co.uk/NUK-Ready-Latex-Orthodontic-Nipples/dp/B006JF1KGS/ref=sr_1_2_a_it?ie=UTF8&qid=1527108851&sr=8-2&keywords=nuk+ready+to+feed.*

“Dr. Brown’s Silicone Nipple”. Found online Aug. 17, 2016 at diapers.com. Page dated Nov. 1, 2006. Retrieved from <https://www.diapers.com/p/dr-browns-silicone-nipple-level-1-4941>.*

* cited by examiner

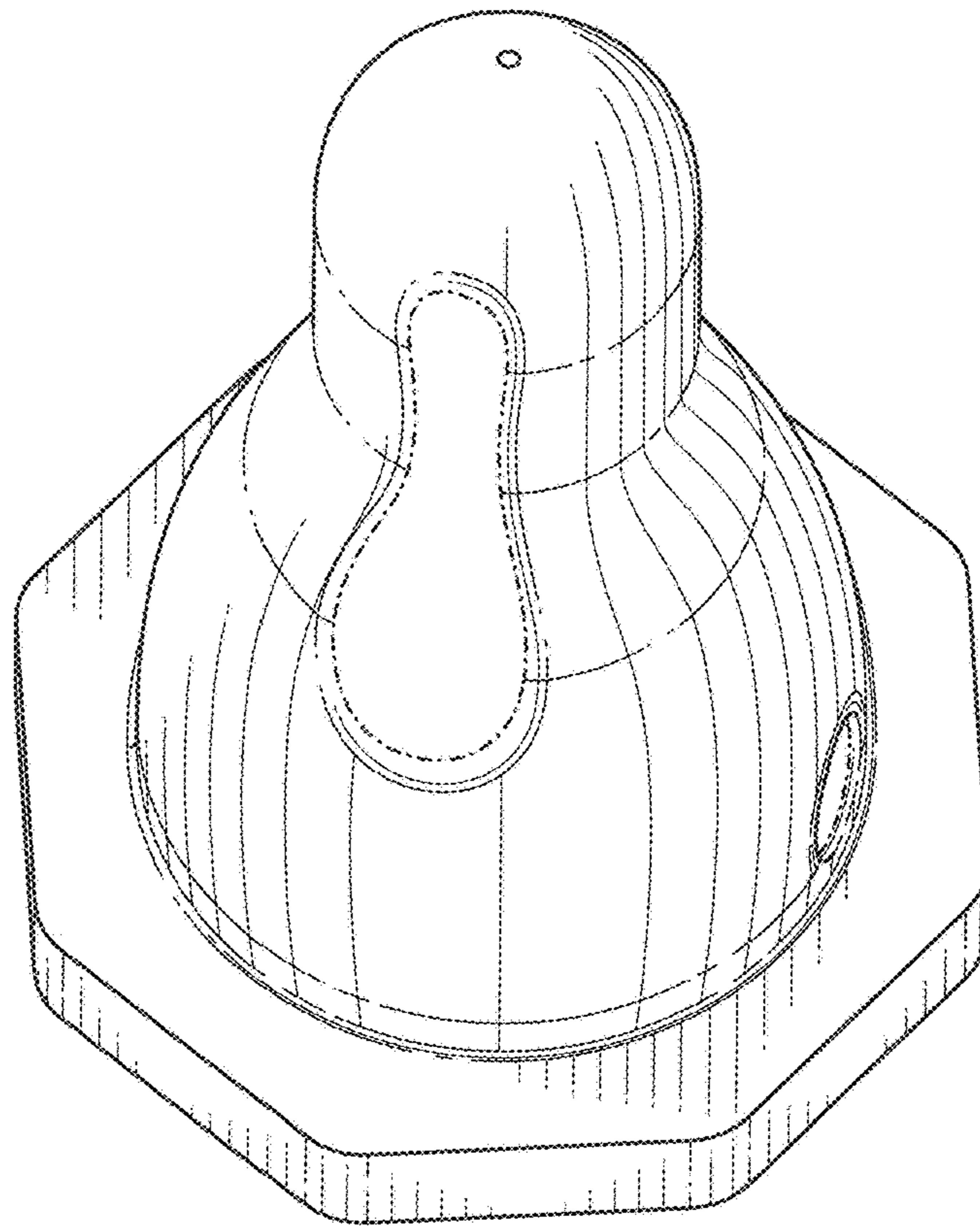


FIG. 1

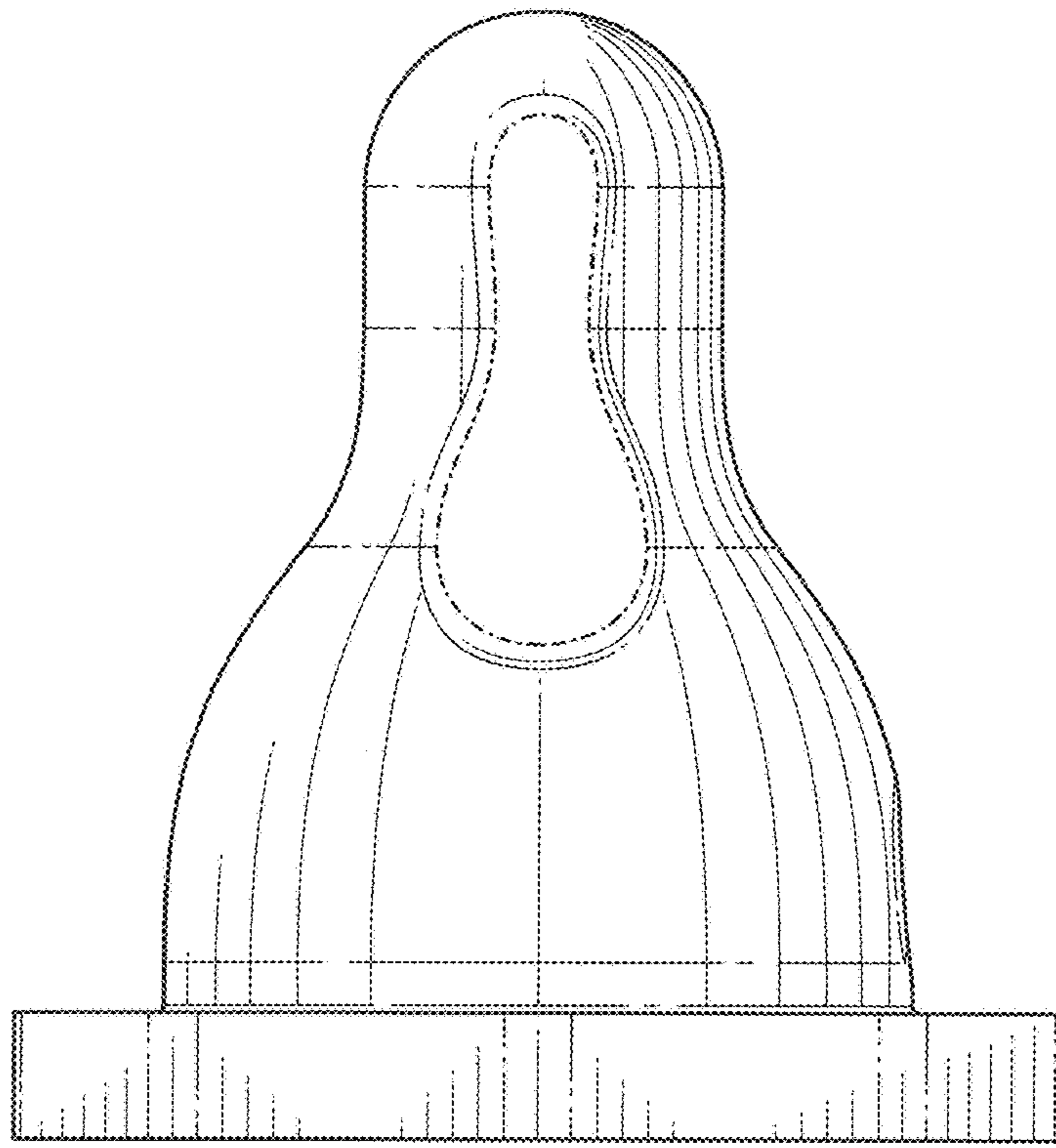


FIG. 2

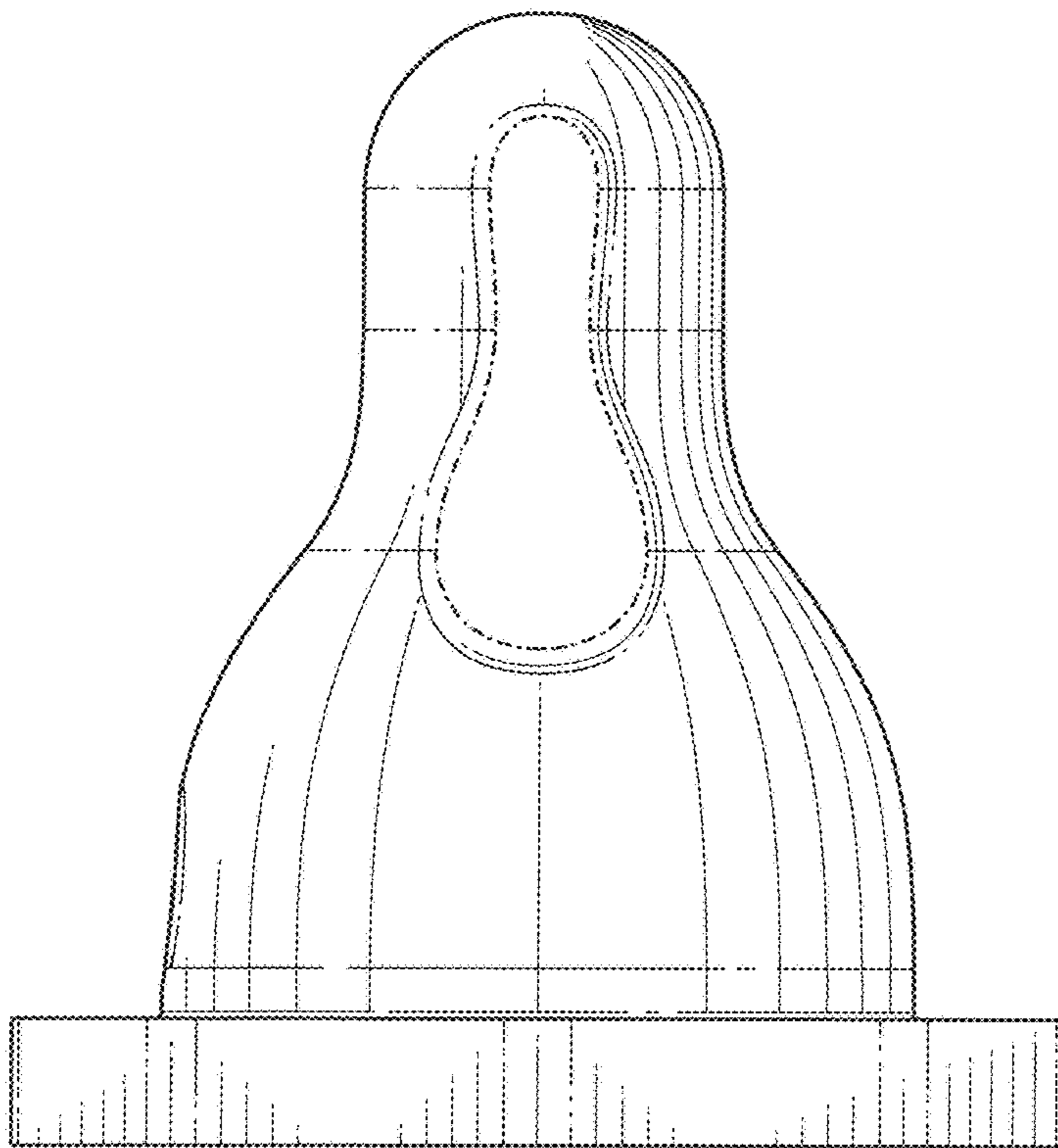


FIG. 3

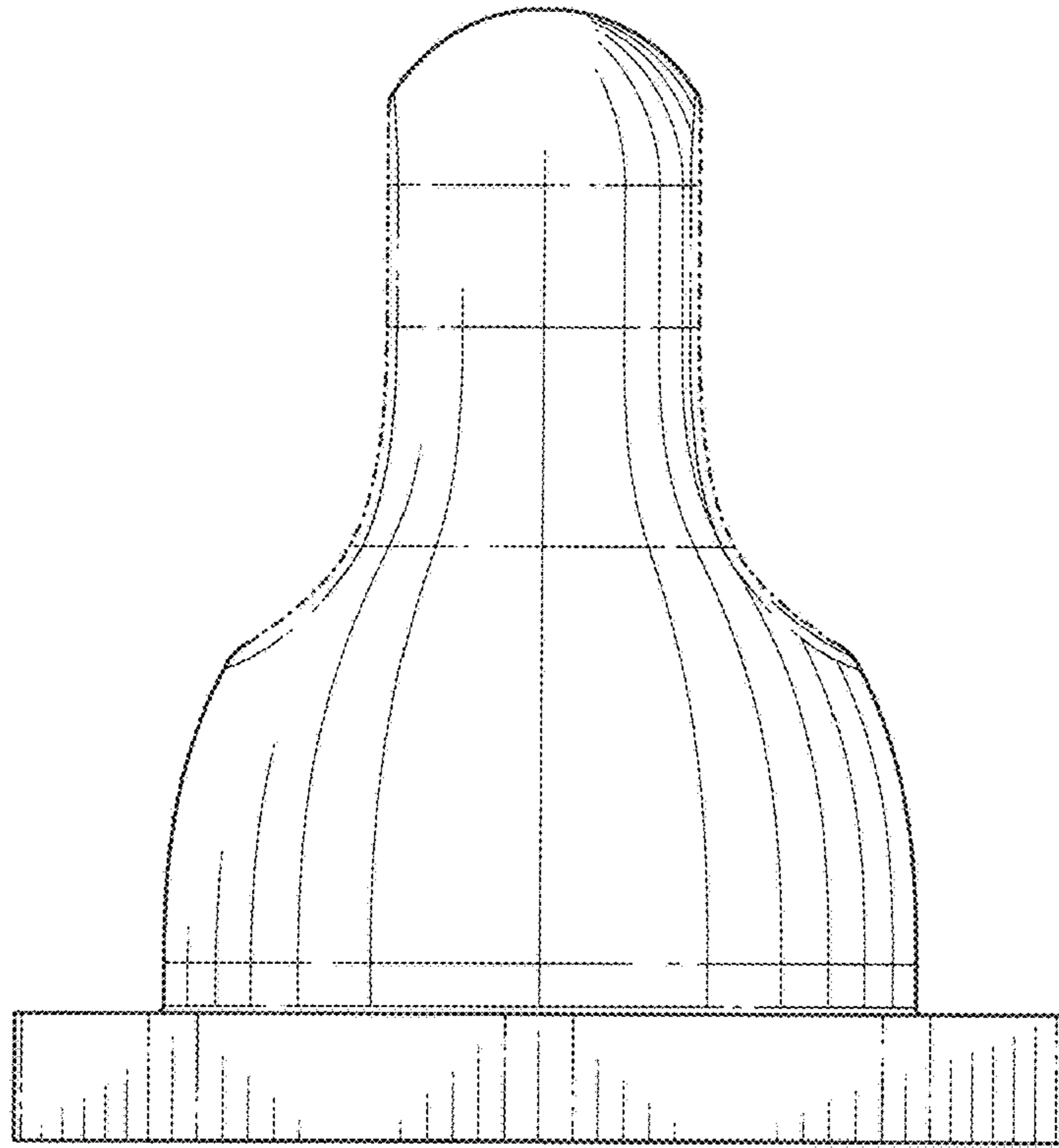


FIG. 4

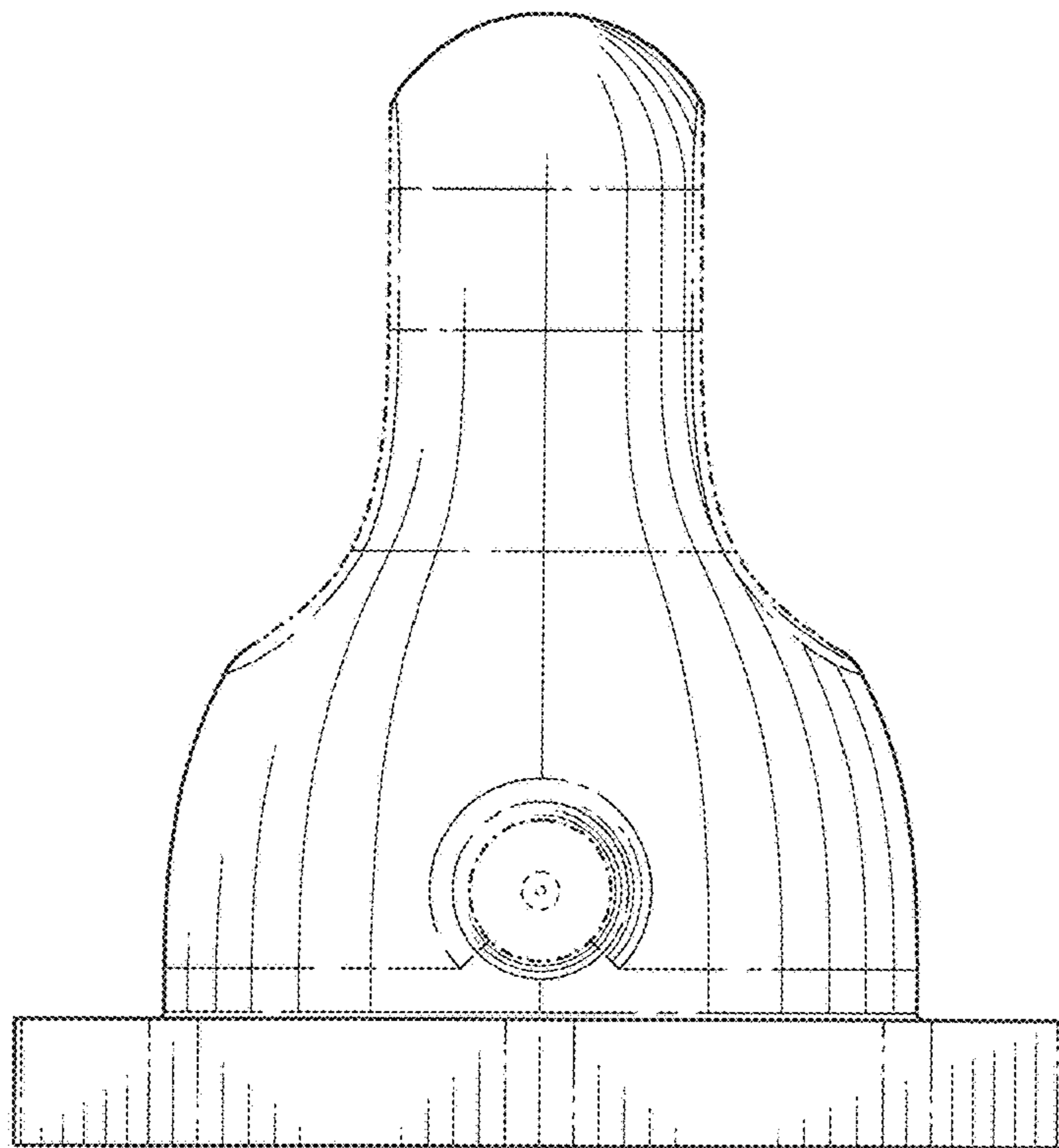


FIG. 5

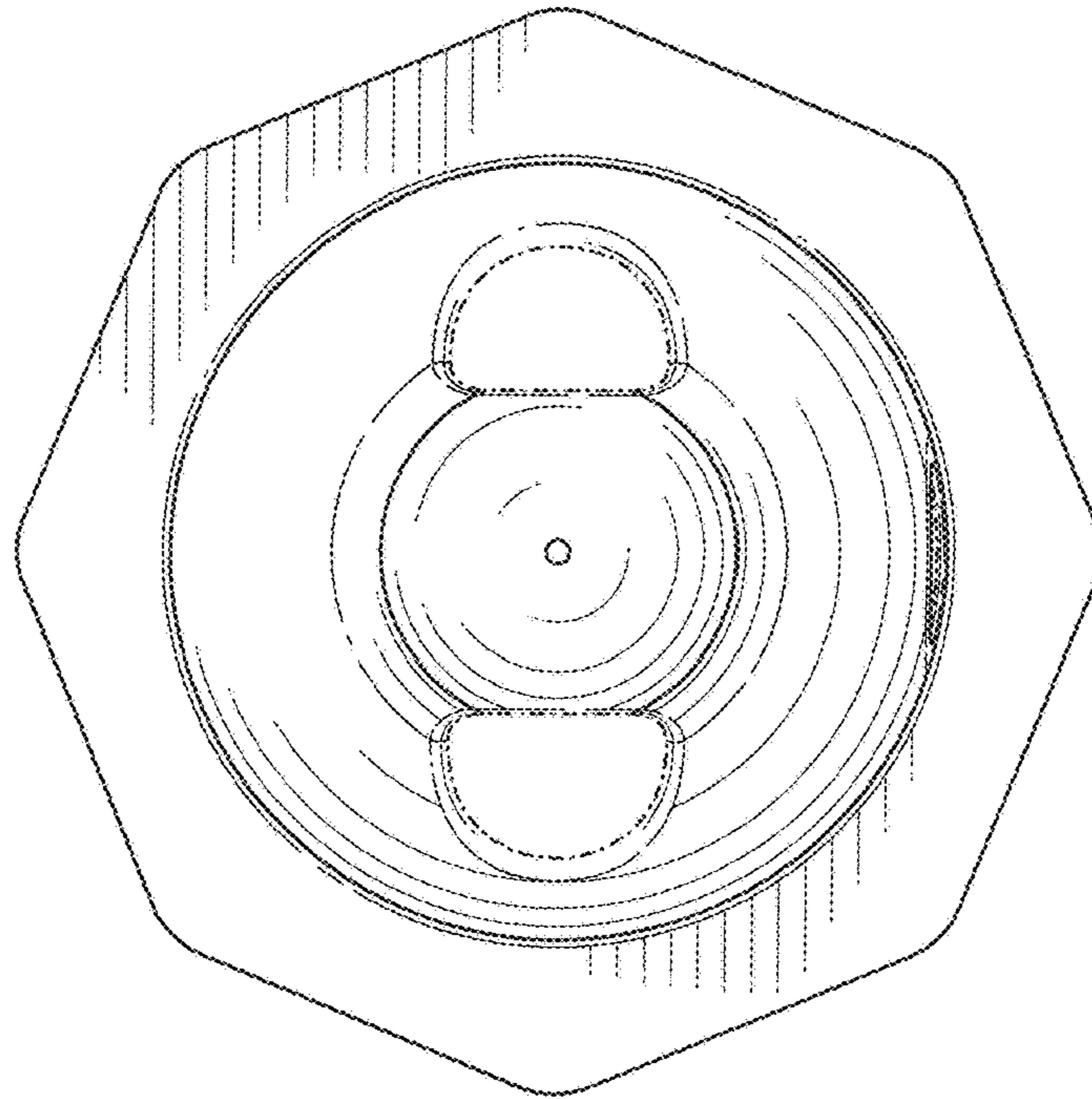


FIG. 6

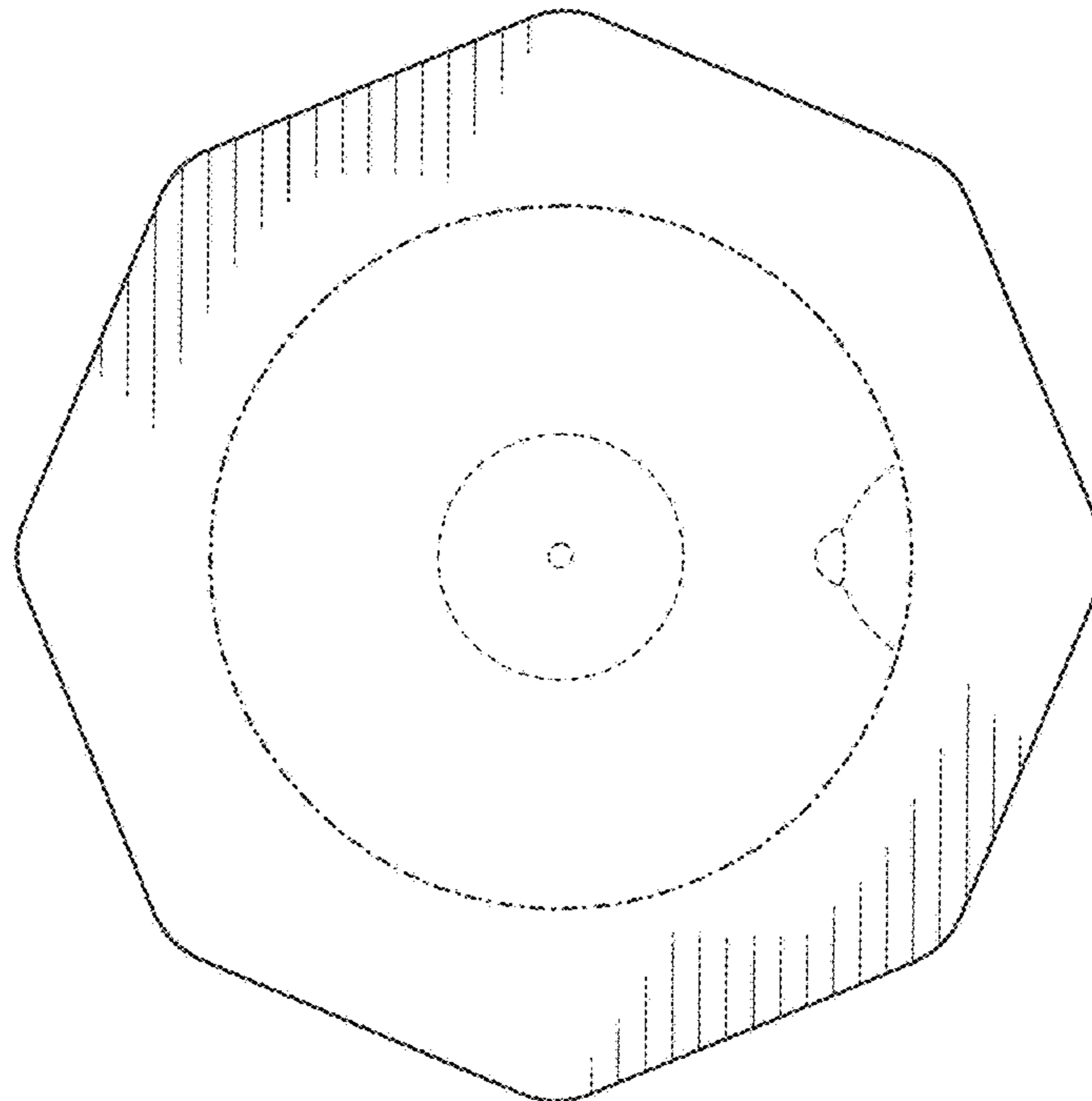


FIG. 7