



US00D846126S

(12) **United States Design Patent** (10) **Patent No.:** **US D846,126 S**
Bouchet (45) **Date of Patent:** **** Apr. 16, 2019**

(54) **EXTENSION TABLE**

A61G 15/02; A61G 15/10; A61G 15/125;
A61G 15/16; A61G 15/18; A61G
(Continued)

(71) Applicant: **Antoine Bouchet**, Charleville-Mezieres
(FR)

(72) Inventor: **Antoine Bouchet**, Charleville-Mezieres
(FR)

(73) Assignee: **SAS Bodyfeed**, Charleville Mezieres
(FR)

(**) Term: **15 Years**

(21) Appl. No.: **29/594,995**

(22) Filed: **Feb. 24, 2017**

(51) **LOC (11) Cl.** **24-02**

(52) **U.S. Cl.**
USPC **D24/183**

(58) **Field of Classification Search**
USPC D24/183-184, 158-159; D6/367, 601
CPC A61B 5/05; A61B 5/055; A61B 5/0555;
A61B 6/032; A61B 6/035; A61B 6/037;
A61B 6/04; A61B 6/0407; A61B 6/0414;
A61B 6/0421; A61B 6/0442; A61B
6/0457; A61B 6/0464; A61B 6/102; A61B
6/12; A61B 6/14; A61B 6/4258; A61B
6/4417; A61B 6/4476; A61B 6/4494;
A61B 6/487; A61B 6/501; A61B 6/502;
A61B 6/5241; A61B 6/5264; A61B
6/5276; A61B 6/547; A61G 12/00; A61G
12/002; A61G 13/00; A61G 13/0009;
A61G 13/0018; A61G 13/0036; A61G
13/0045; A61G 13/0054; A61G 13/0063;
A61G 13/0072; A61G 13/009; A61G
13/02; A61G 13/04; A61G 13/06; A61G
13/08; A61G 13/10; A61G 13/101; A61G
13/104; A61G 3/105; A61G 3/12; A61G
3/1205; A61G 3/121; A61G 3/122; A61G
3/123; A61G 3/1245; A61G 3/125; A61G
3/127; A61G 3/129; A61G 3/1295; A61G
15/00; A61G 15/005; A61G 15/007;

(56) **References Cited**

U.S. PATENT DOCUMENTS

3,194,232 A * 7/1965 Rickenbach A61H 1/0222
606/243
3,596,982 A * 8/1971 Grams A61G 15/02
297/330

(Continued)

Primary Examiner — Ian Simmons

Assistant Examiner — Samantha Q Lawrence

(74) *Attorney, Agent, or Firm* — Veritay Group, IP; Susan
B. Fentress

(57) **CLAIM**

The ornamental design for an extension table, as shown and
described.

DESCRIPTION

FIG. 1 is a top isometric view of an extension table of my
new design.

FIG. 2 is a bottom isometric view of an extension table
shown in FIG. 1.

FIG. 3 is a left side view of an extension table shown in FIG.
1.

FIG. 4 is a front view of an extension table shown in FIG.
1.

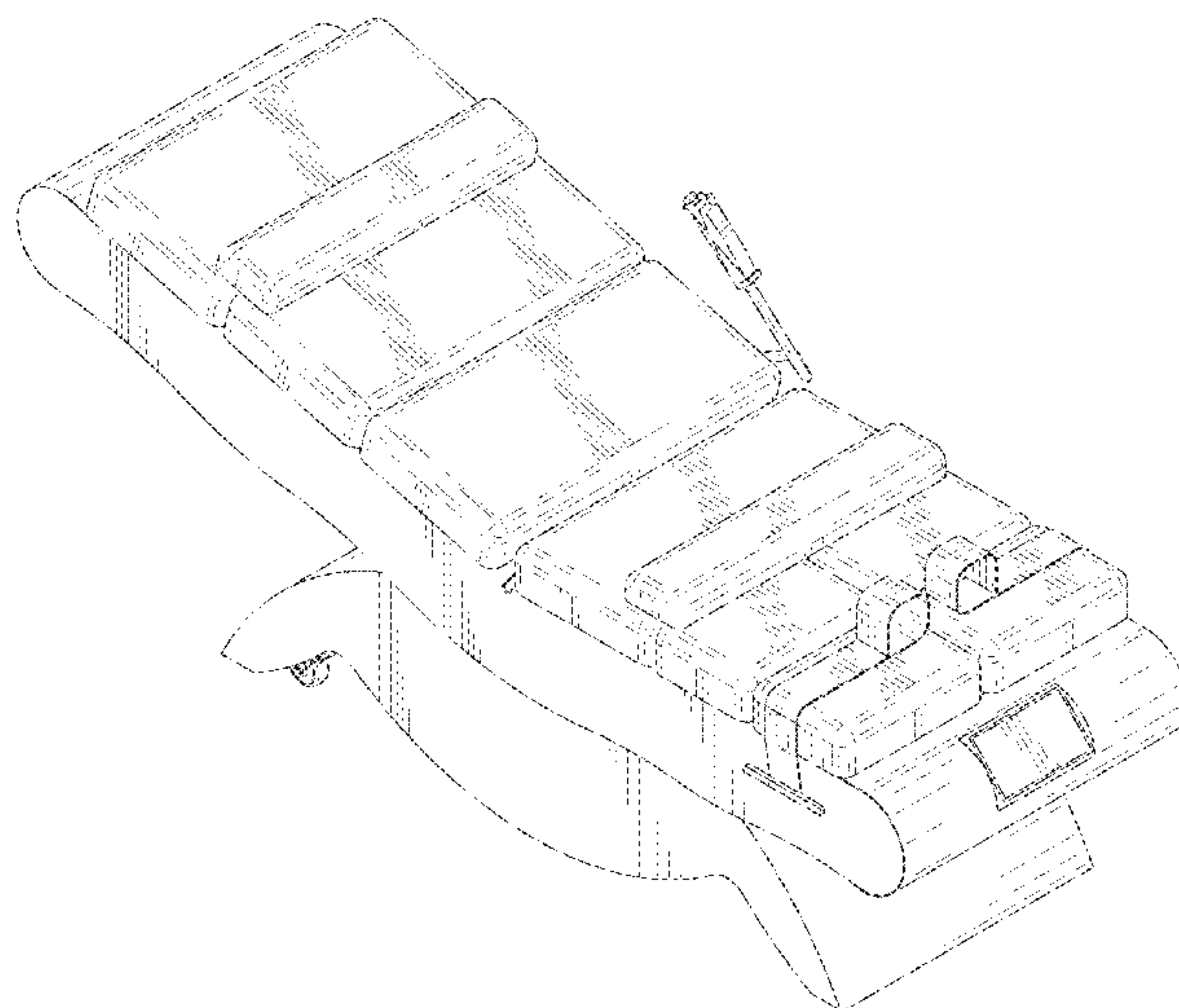
FIG. 5 is a right side view of an extension table shown in
FIG. 1.

FIG. 6 is a rear view of an extension table shown in FIG. 1.

FIG. 7 is a top view an extension table shown in FIG. 1; and,
FIG. 8 is a bottom view an extension table shown in FIG. 1.

The broken lines are included for the purpose of illustrating
portions of the extension table that form no part of the
claimed design.

1 Claim, 7 Drawing Sheets



(58) **Field of Classification Search**

CPC 5/00; A61G 5/006; A61G 5/0833; A61G
 5/1005; A61G 5/101; A61G 5/1091;
 A61G 5/12; A61G 5/121; A61G 5/127;
 A61G 5/128; A61G 5/14; A61G 7/1017;
 A61G 7/1019; A61G 7/103; A61G
 7/1034; A61G 7/1046; A61G 7/1057;
 A61H 19/34; A61H 19/44; A61H 19/50
 See application file for complete search history.

(56) **References Cited**

U.S. PATENT DOCUMENTS

3,837,635 A * 9/1974 Long A61G 15/02
 297/330
 4,109,958 A * 8/1978 Grupelli A61G 15/10
 297/217.3
 D267,987 S * 2/1983 Leffler D6/361
 5,437,607 A 8/1995 Taylor
 6,178,577 B1 1/2001 Chien-Chuan
 D461,899 S * 8/2002 Siepmann D24/183
 6,499,163 B1 * 12/2002 Stensby A61G 5/006
 280/250.1
 6,507,964 B1 * 1/2003 Lewandowski A61G 13/04
 5/600
 6,716,167 B1 * 4/2004 Henderson A61B 8/00
 600/437
 D496,462 S * 9/2004 Walters D24/183

6,802,564 B2 * 10/2004 Brockway A61G 15/02
 297/300.1
 D517,821 S * 3/2006 Racoosin D6/367
 7,273,255 B2 * 9/2007 Nylander A61G 5/14
 297/330
 7,386,899 B2 * 6/2008 Smith A61G 13/10
 5/507.1
 D574,959 S * 8/2008 DeBaal D24/183
 D583,953 S * 12/2008 Genelli D24/183
 D583,954 S * 12/2008 Genelli D24/183
 7,496,979 B2 * 3/2009 Hempker A61G 15/00
 297/423.28
 7,513,000 B2 * 4/2009 Debaal A61G 13/0018
 297/188.11
 7,640,608 B2 * 1/2010 Smith A61G 13/06
 5/611
 7,648,473 B1 * 1/2010 Peruvungal A61F 5/3776
 5/613
 7,914,471 B2 * 3/2011 Chen A61H 23/0263
 297/284.9
 D636,493 S * 4/2011 Teufel D24/183
 D750,912 S * 3/2016 Zhuo D6/367
 2007/0056103 A1 * 3/2007 Magoteaux A61G 13/0018
 5/600
 2008/0139979 A1 6/2008 Talish et al.
 2012/0062011 A1 * 3/2012 Jones A61G 15/02
 297/362.11
 2014/0018712 A1 1/2014 Bouchet et al.
 2016/0022039 A1 * 1/2016 Paul A61G 5/14
 297/88

* cited by examiner

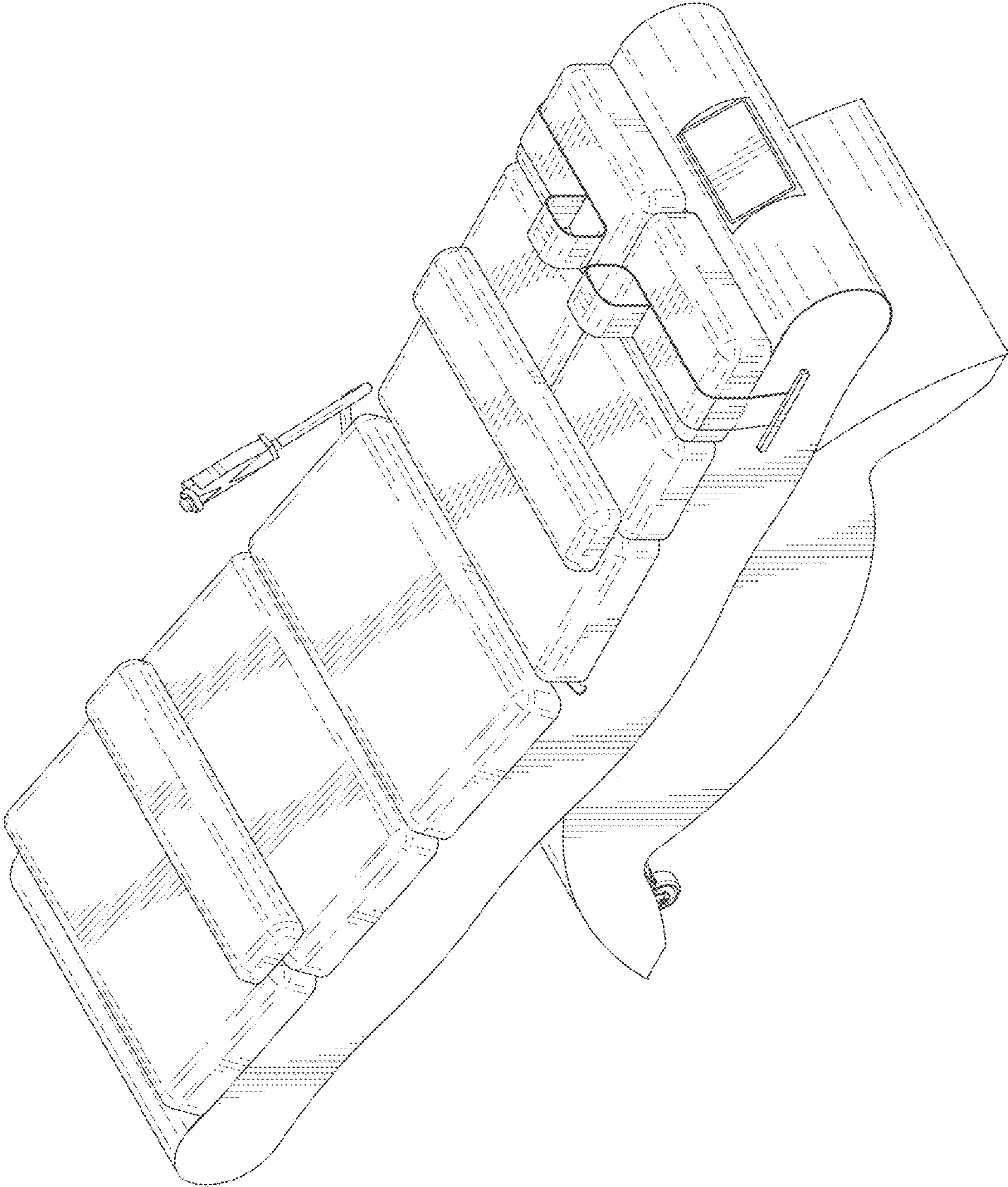


FIG. 1

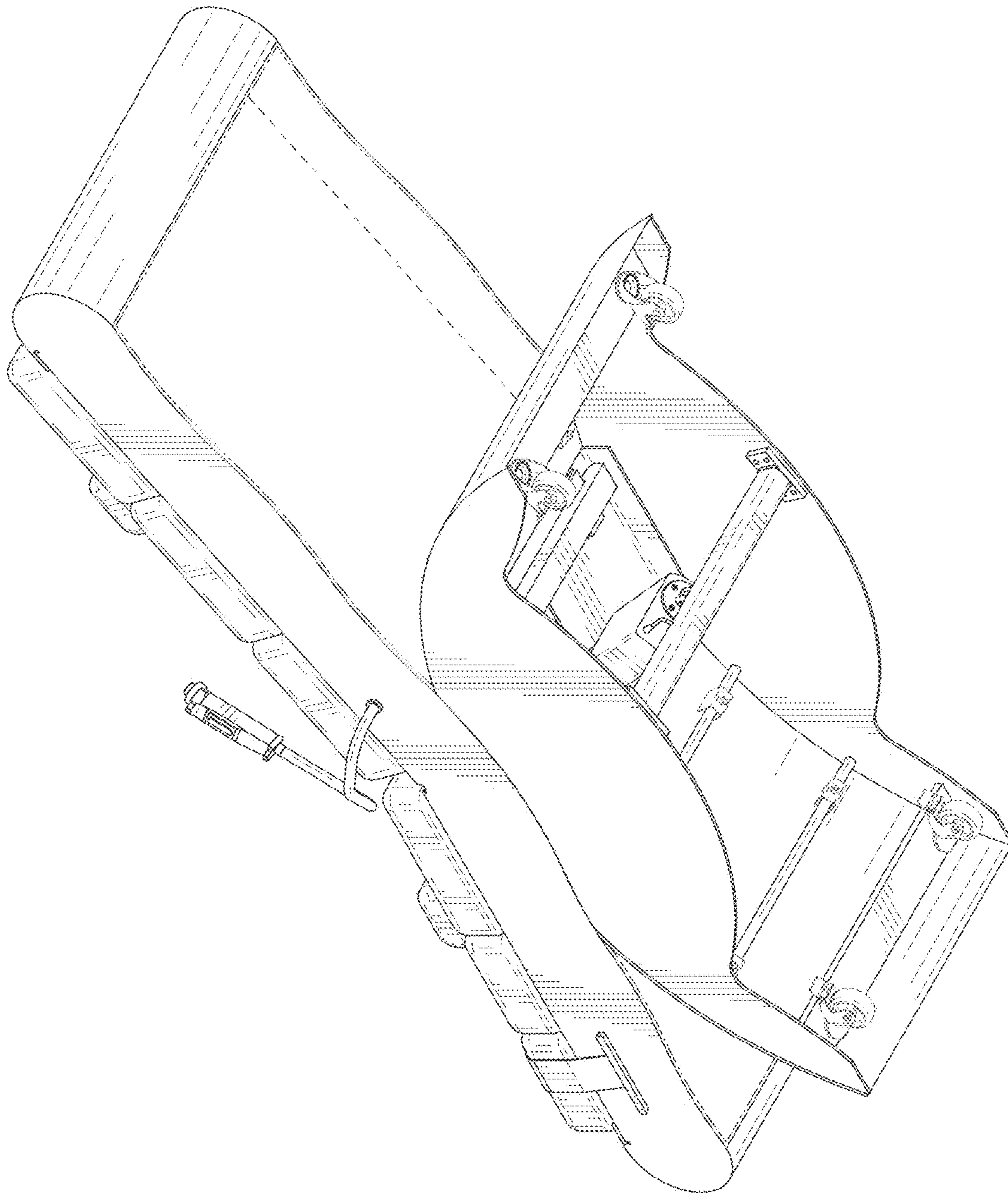


FIG. 2

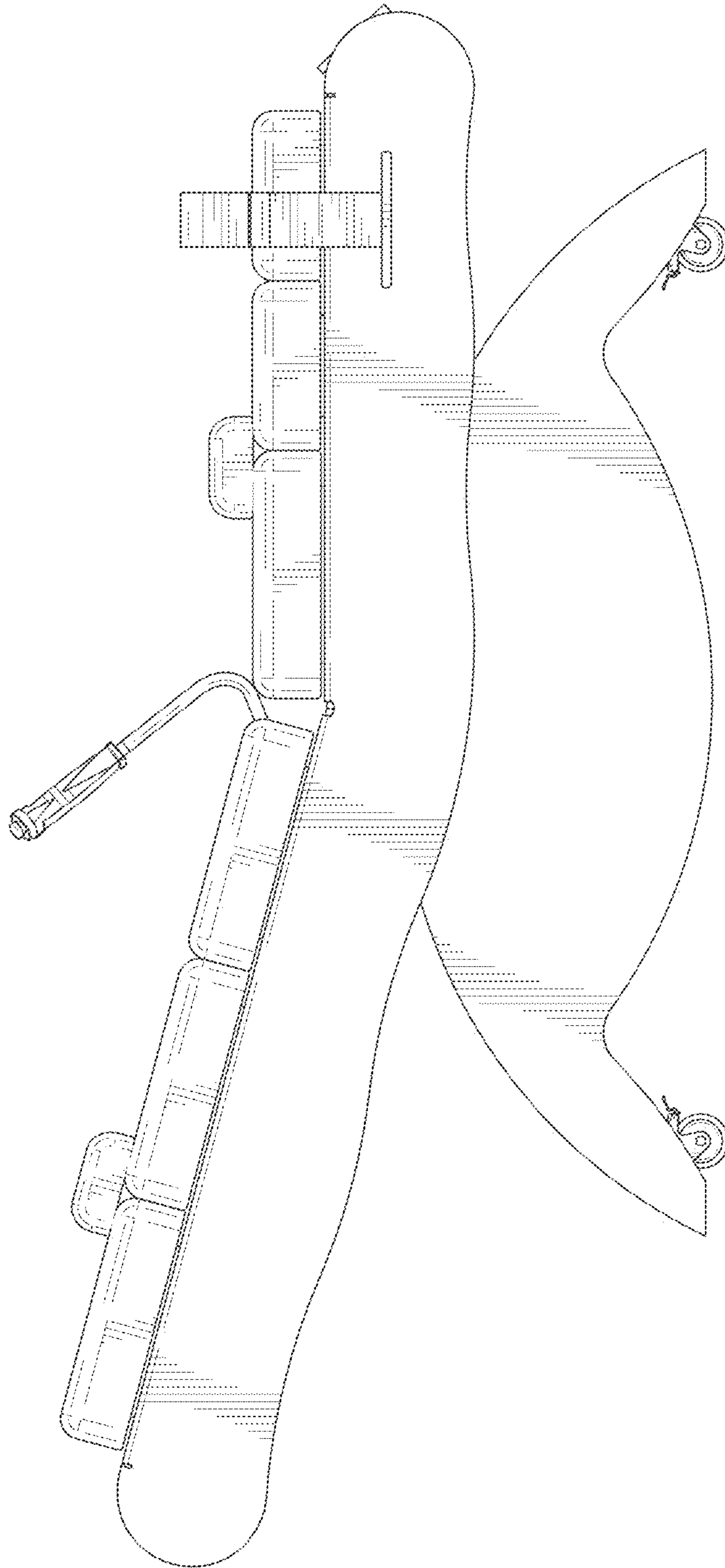


FIG. 3

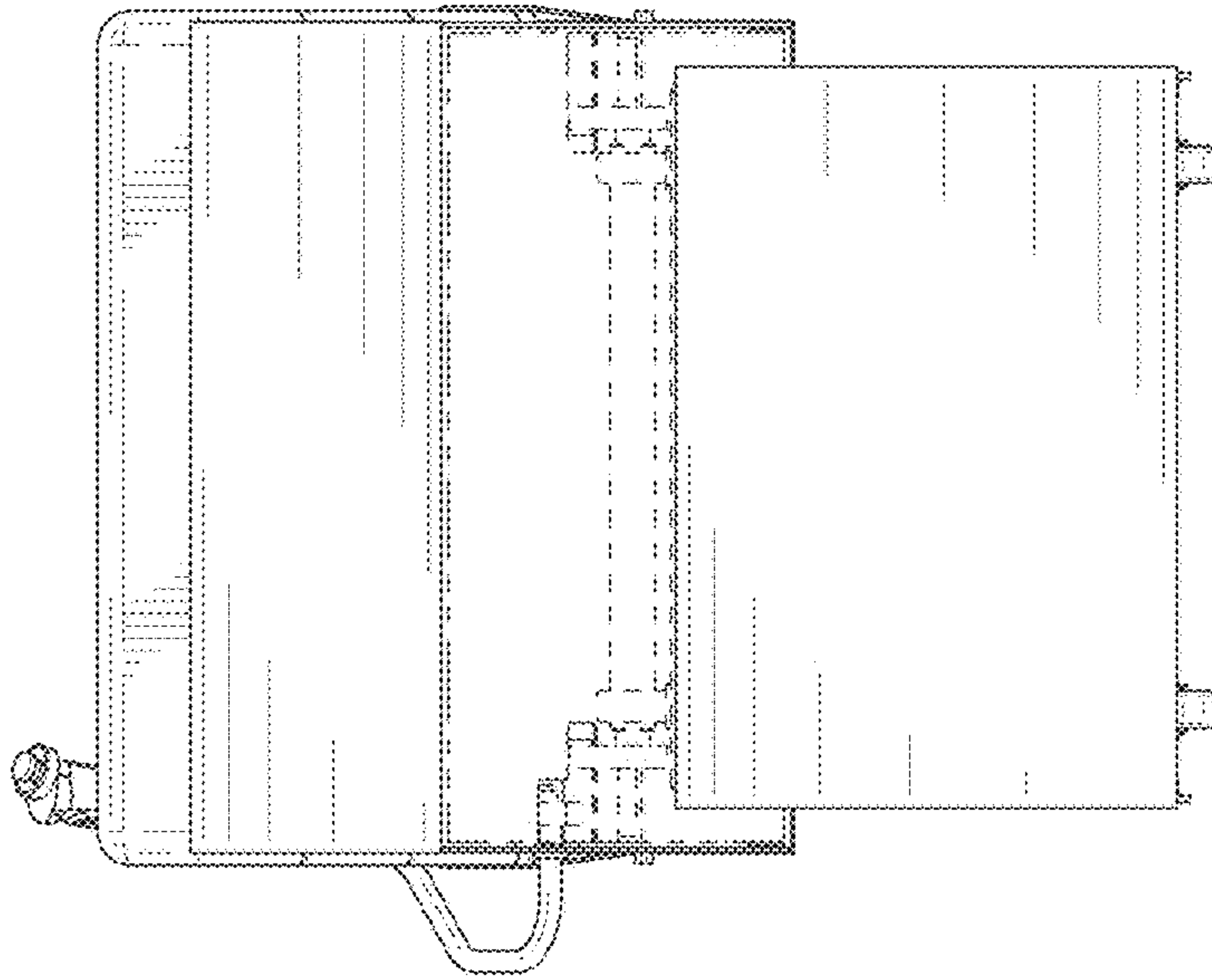


FIG. 4

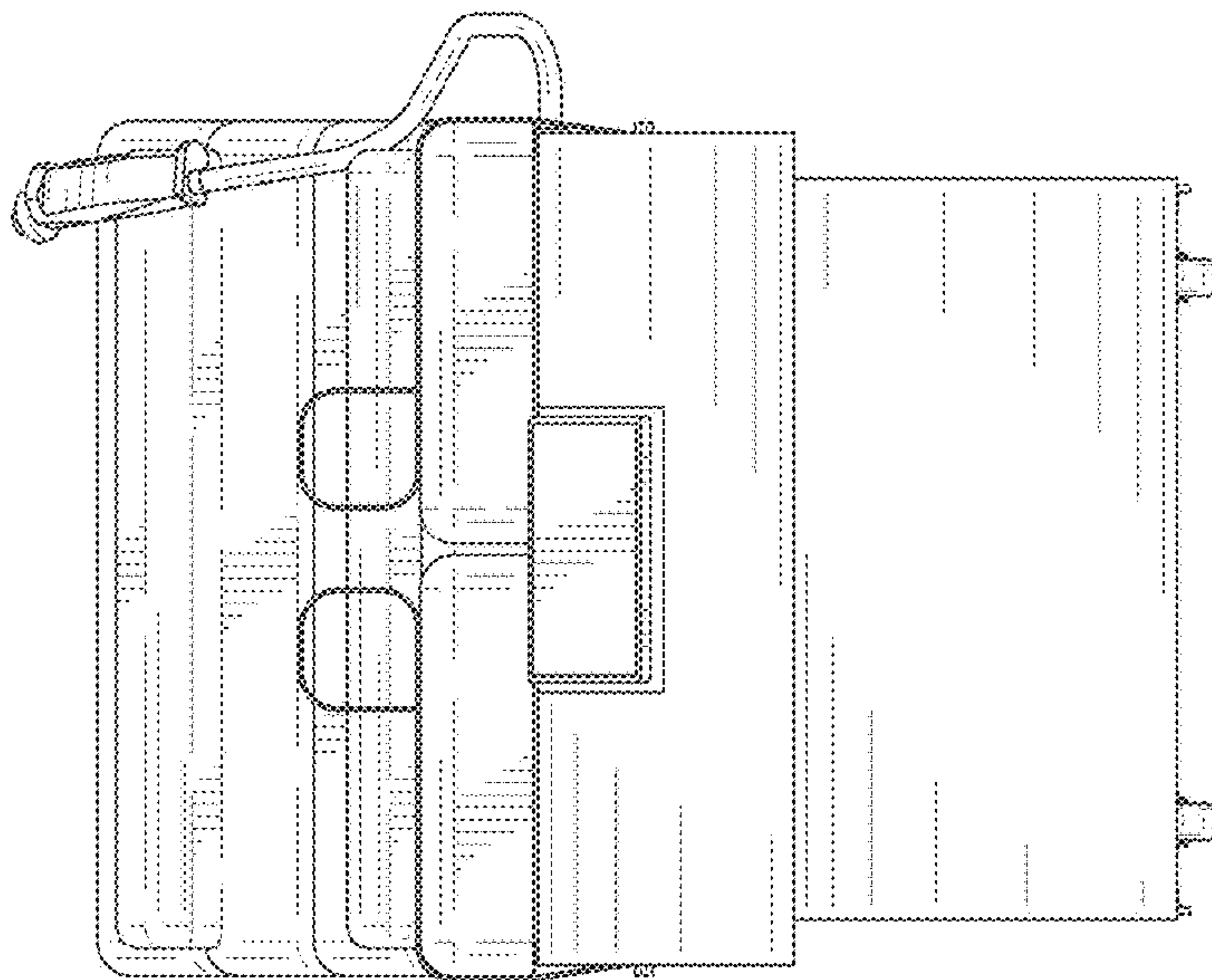


FIG. 6

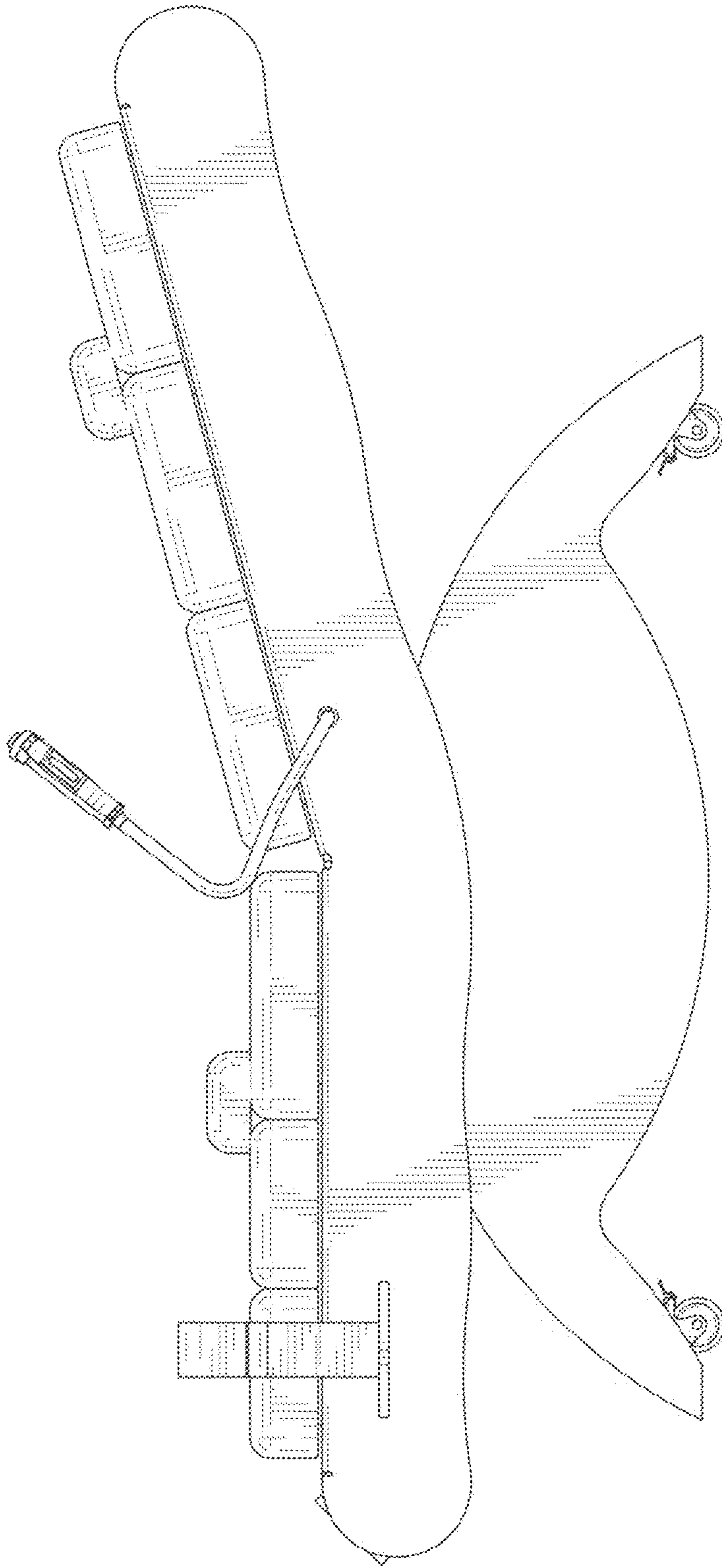


FIG. 5

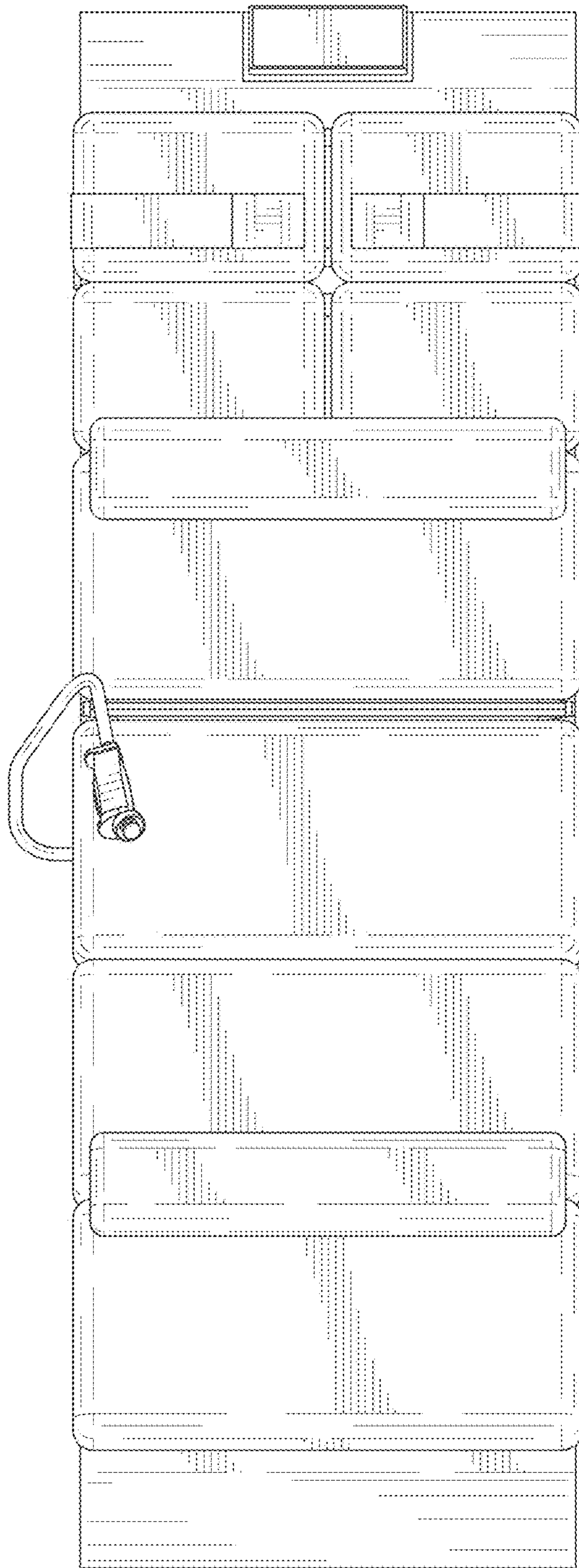


FIG. 7

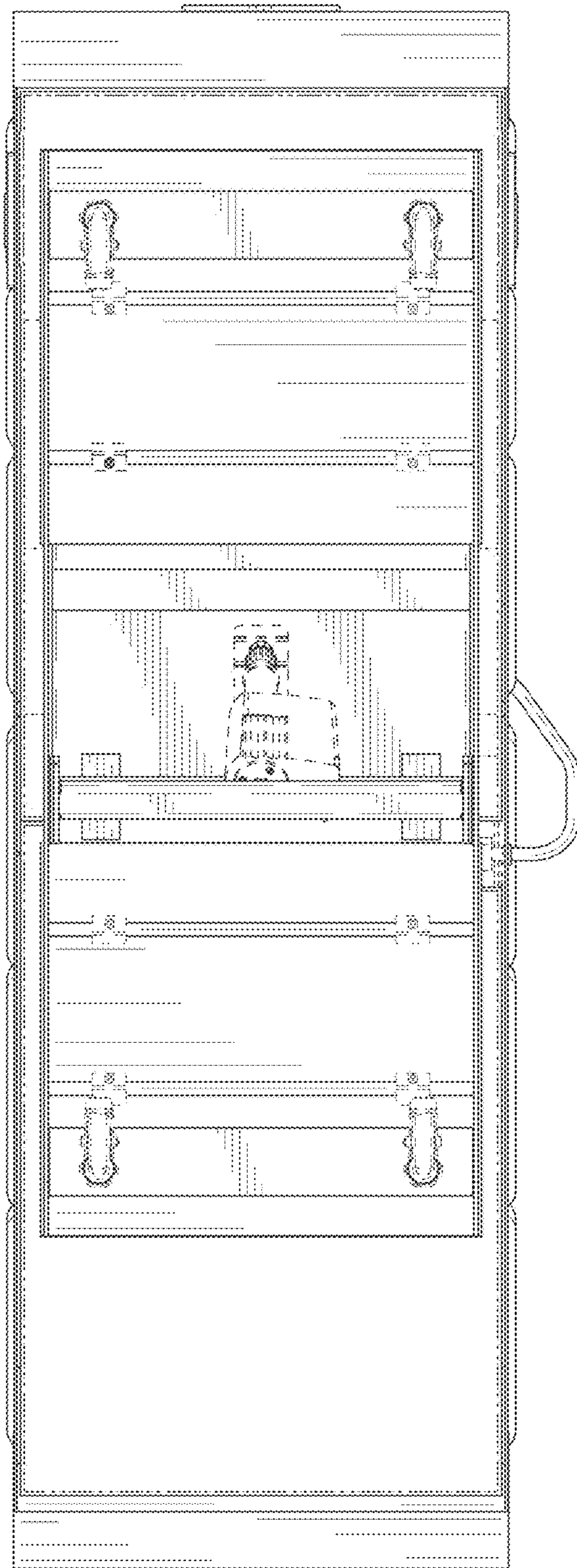


FIG. 8