



US00D846125S

(12) **United States Design Patent**  
**Wilkinson**

(10) **Patent No.:** **US D846,125 S**  
(45) **Date of Patent:** **\*\* Apr. 16, 2019**

(54) **HOLDER AND INSERTS FOR DENTAL INSTRUMENTS**

(71) Applicant: **DENTSPLY SIRONA Inc.**, York, PA (US)

(72) Inventor: **Kevin Wilkinson**, Bixby, OK (US)

(73) Assignee: **DENTSPLY SIRONA Inc.**, York, PA (US)

(\*\*) Term: **15 Years**

(21) Appl. No.: **29/632,998**

(22) Filed: **Jan. 11, 2018**

**Related U.S. Application Data**

(62) Division of application No. 29/590,038, filed on Jan. 6, 2017, now Pat. No. Des. 810,937, which is a division of application No. 29/530,758, filed on Jun. 19, 2015, now Pat. No. Des. 812,753.

(51) **LOC (11) Cl.** ..... **24-02**

(52) **U.S. Cl.**  
USPC ..... **D24/176**

(58) **Field of Classification Search**  
USPC ..... D24/152, 176-177, 224, 227; 433/49, 433/53, 59, 77; 206/368-370  
CPC .. A61C 19/02; A61C 1/14; A61C 3/04; A61C 2202/00; A61C 5/42; A61C 5/44; A61B 50/20; A61B 50/30; A61B 2050/3008  
See application file for complete search history.

(56) **References Cited**

**U.S. PATENT DOCUMENTS**

1,907,187 A \* 5/1933 Pierce ..... A61C 19/02  
206/803  
4,886,165 A \* 12/1989 Annett ..... A61B 50/20  
206/370

6,328,565 B1 \* 12/2001 Rose ..... A61C 3/04  
206/369  
7,195,485 B2 \* 3/2007 Fischer ..... A61C 5/42  
206/369  
7,278,852 B2 \* 10/2007 Fischer ..... A61C 5/42  
206/63.5  
8,342,841 B2 \* 1/2013 Vogel ..... A61C 19/02  
206/362  
9,314,315 B2 \* 4/2016 Wong ..... A61C 3/04  
D783,833 S \* 4/2017 Wong ..... A61C 3/04  
D24/176

\* cited by examiner

*Primary Examiner* — Wan Laymon

(74) *Attorney, Agent, or Firm* — DENTSPLY SIRONA Inc.

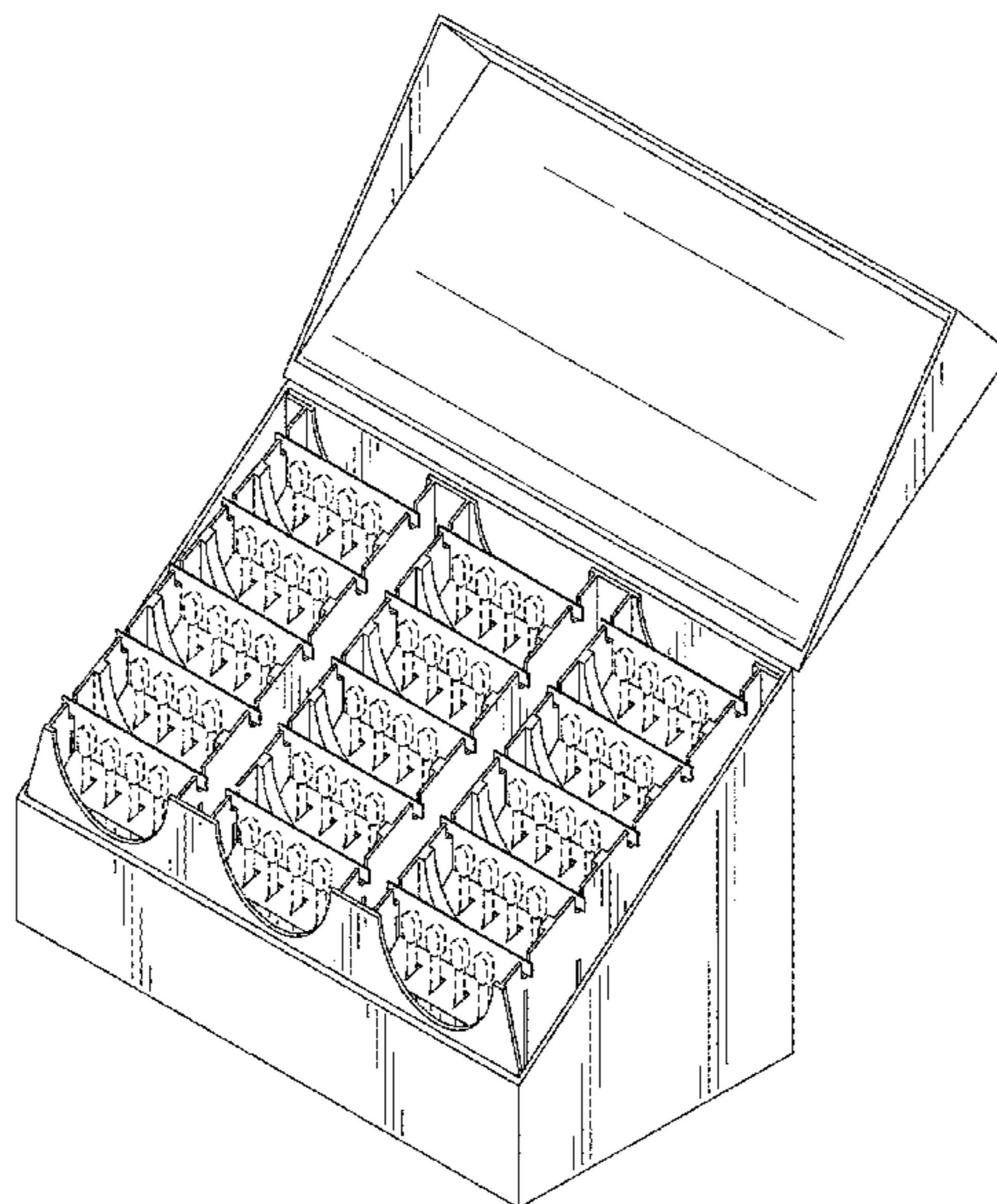
(57) **CLAIM**

The ornamental design for a holder and inserts for dental instruments, as shown and described is claimed.

**DESCRIPTION**

FIG. 1 is a top perspective view of a holder and inserts for dental instruments of the present invention; FIG. 2 is a bottom perspective view of the holder shown in FIG. 1; FIG. 3 is a front view of the holder shown in FIG. 1; FIG. 4 is a right side view of the holder shown in FIG. 1; FIG. 5 is a left side view of the holder shown in FIG. 1; FIG. 6 is a top view of the holder shown in FIG. 1; and, FIG. 7 is a bottom view of the holder shown in FIG. 1. The broken lines shown in the drawings illustrate portions of the holder and inserts for dental instruments that form no part of the claimed design.

**1 Claim, 7 Drawing Sheets**



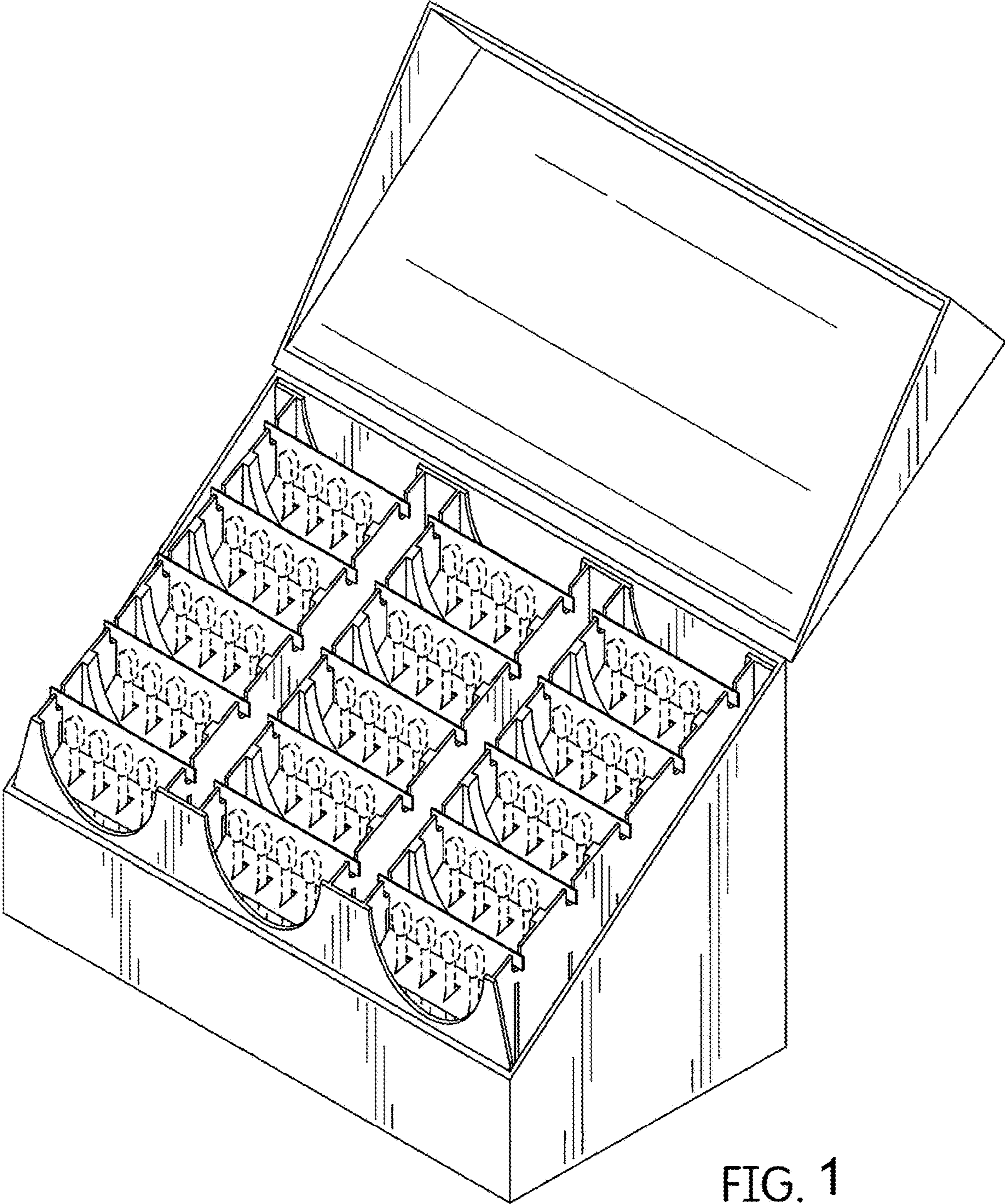


FIG. 1



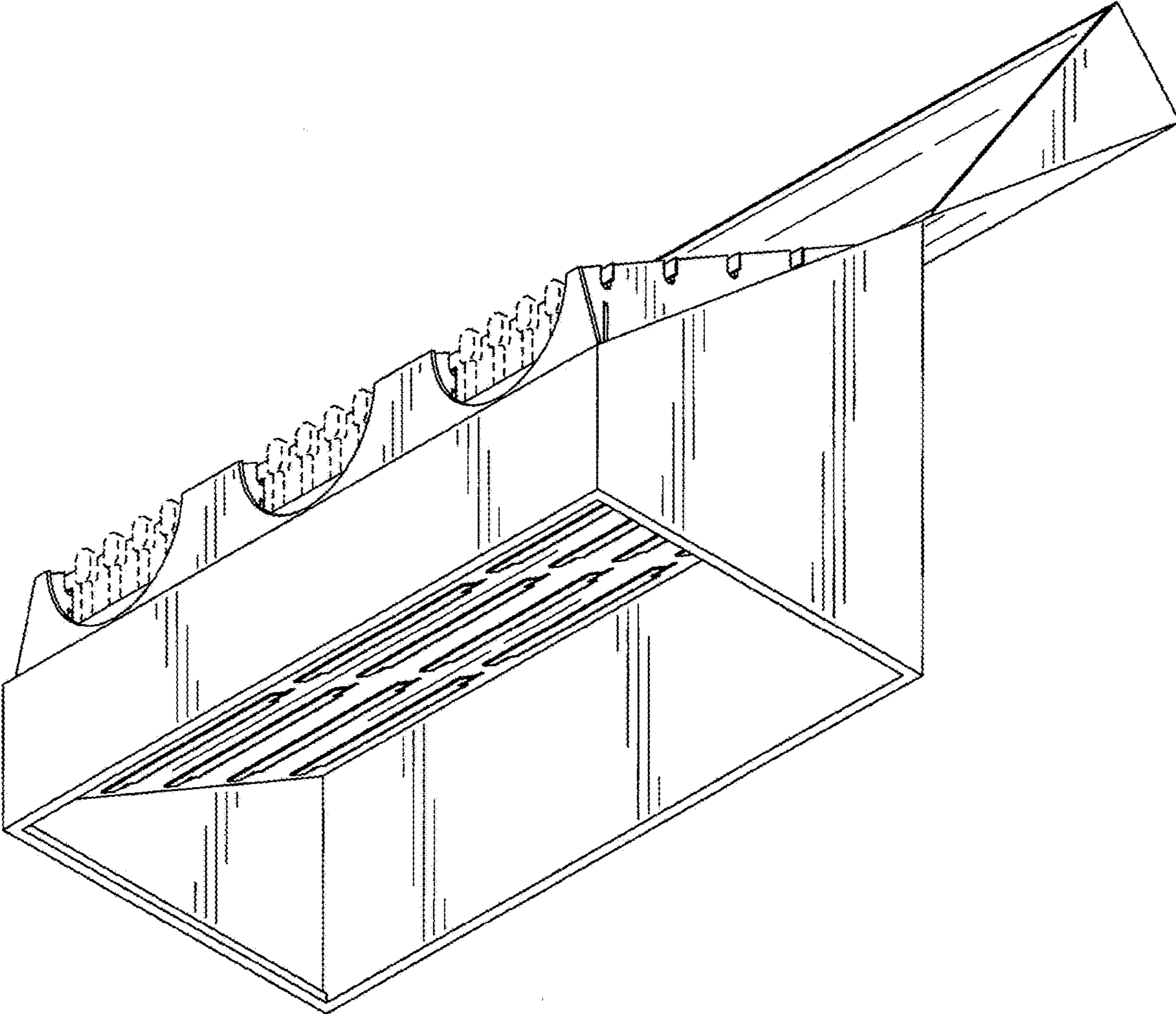


FIG. 2

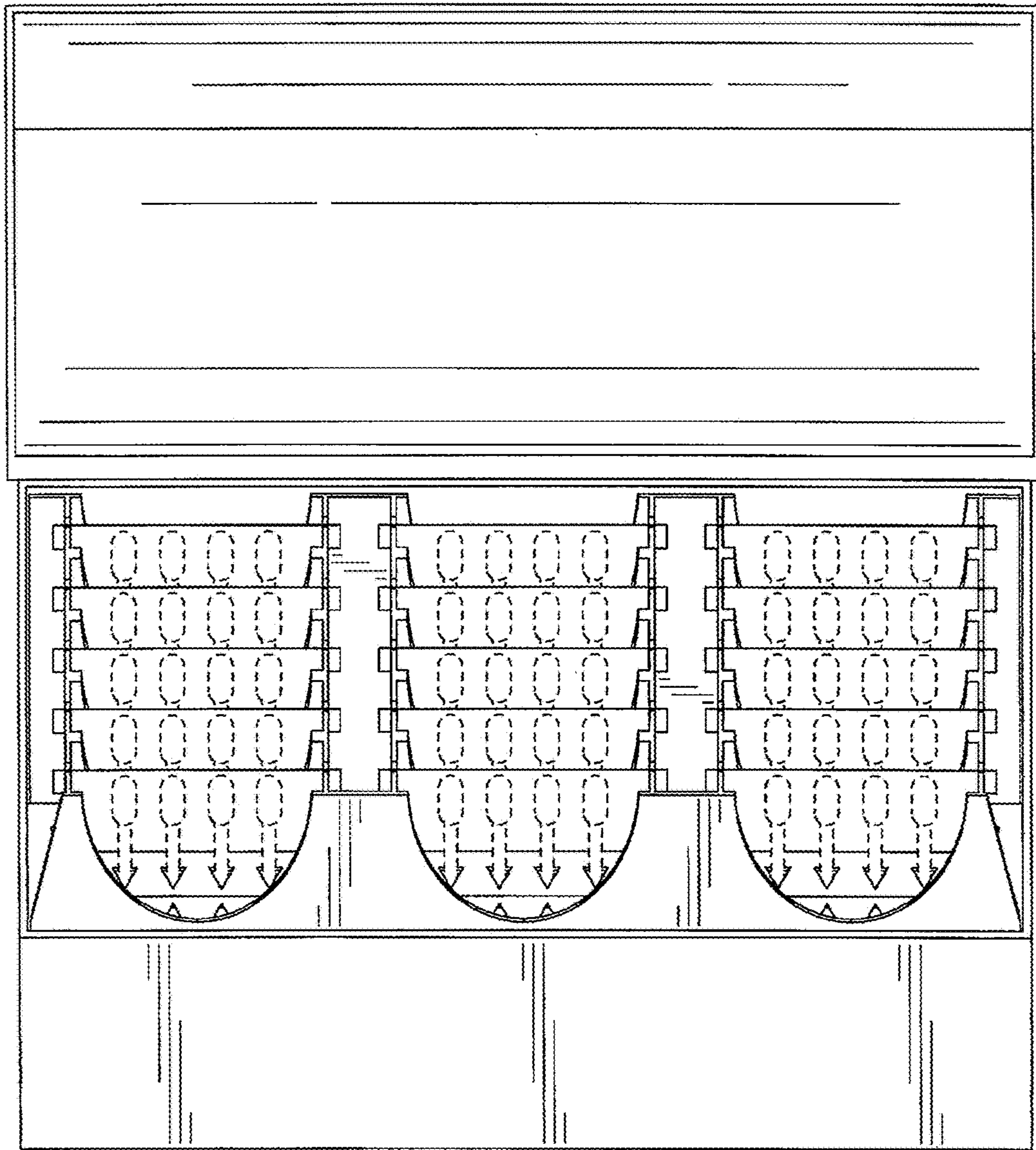


FIG. 3

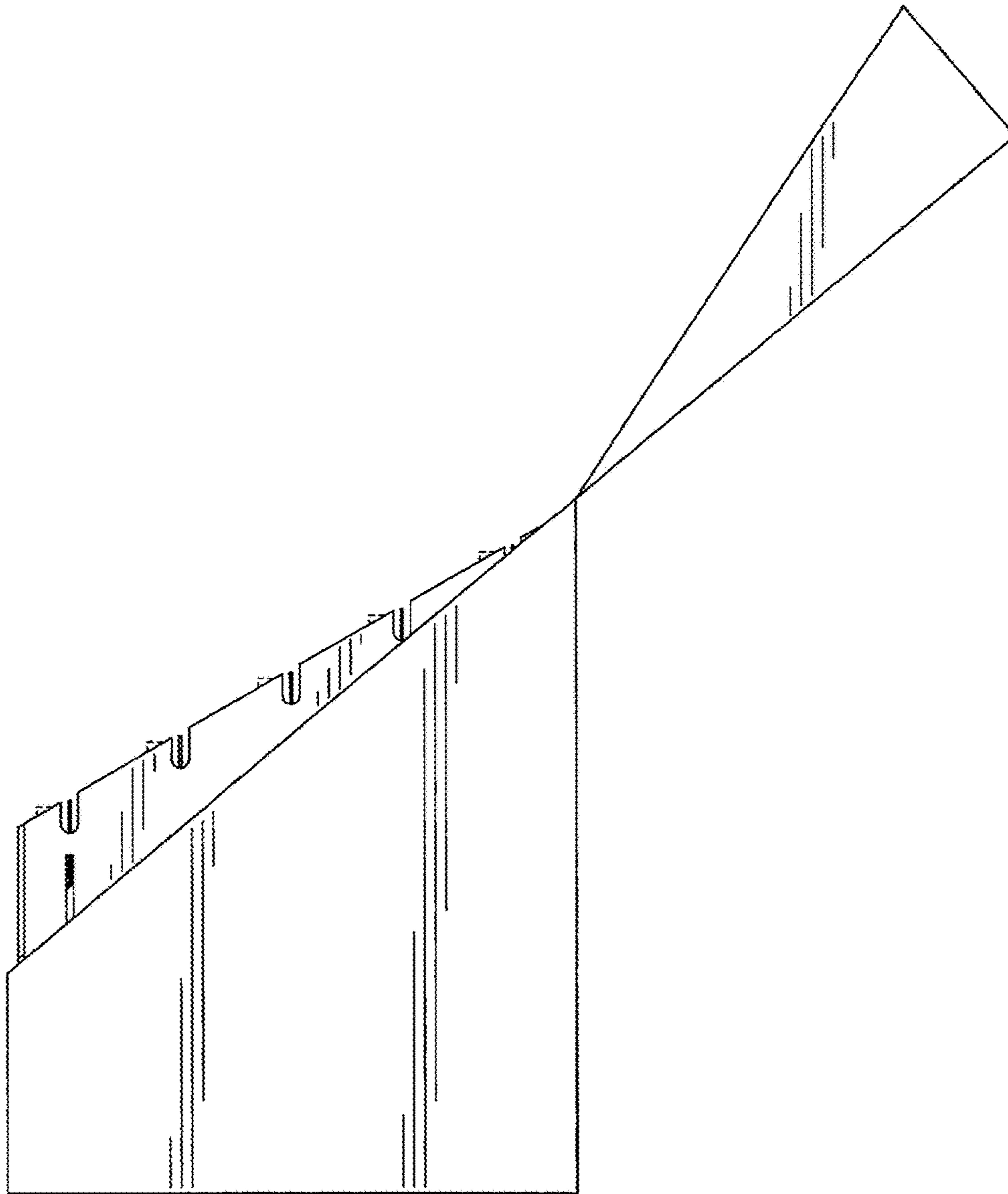


FIG. 4

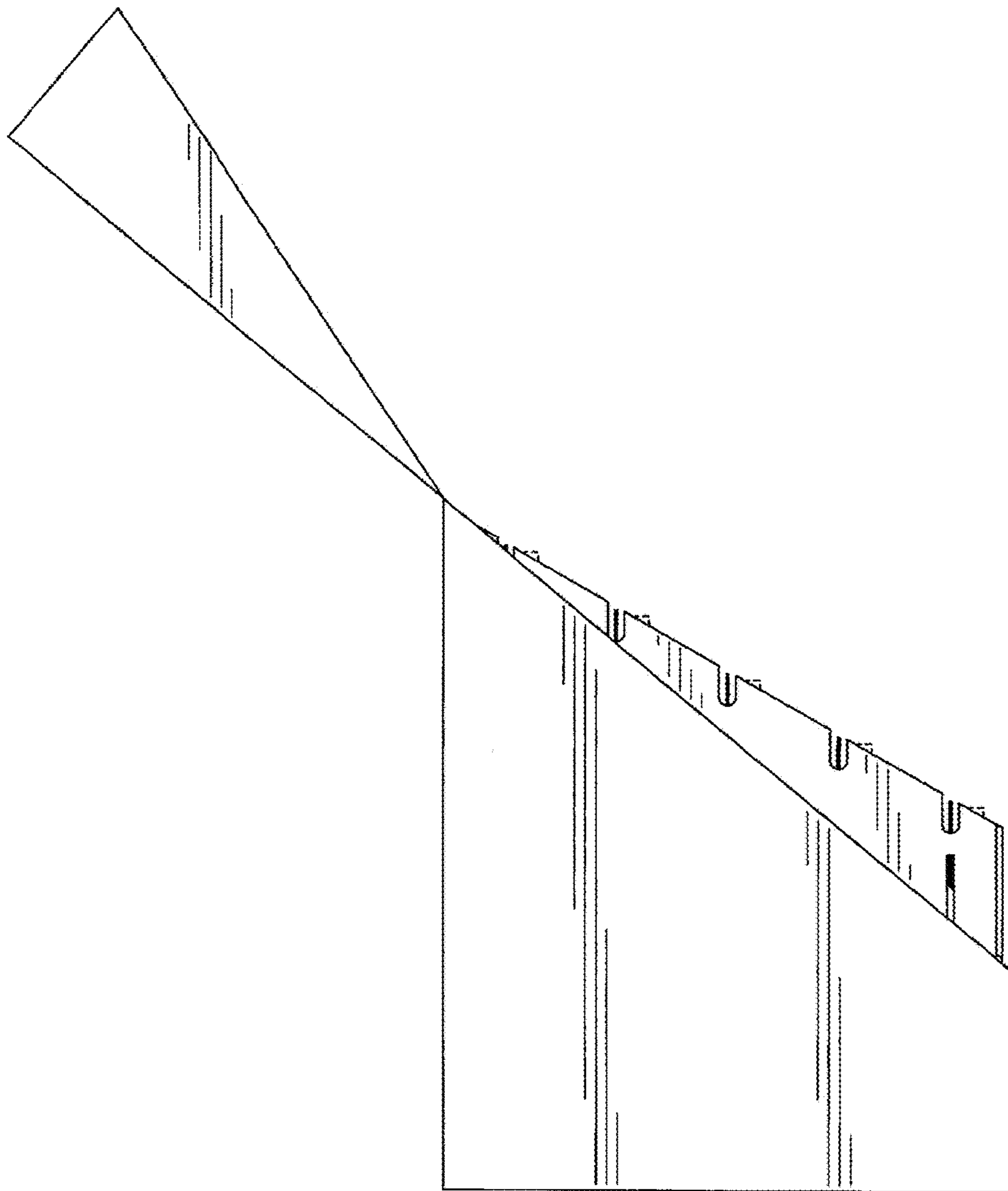


FIG. 5



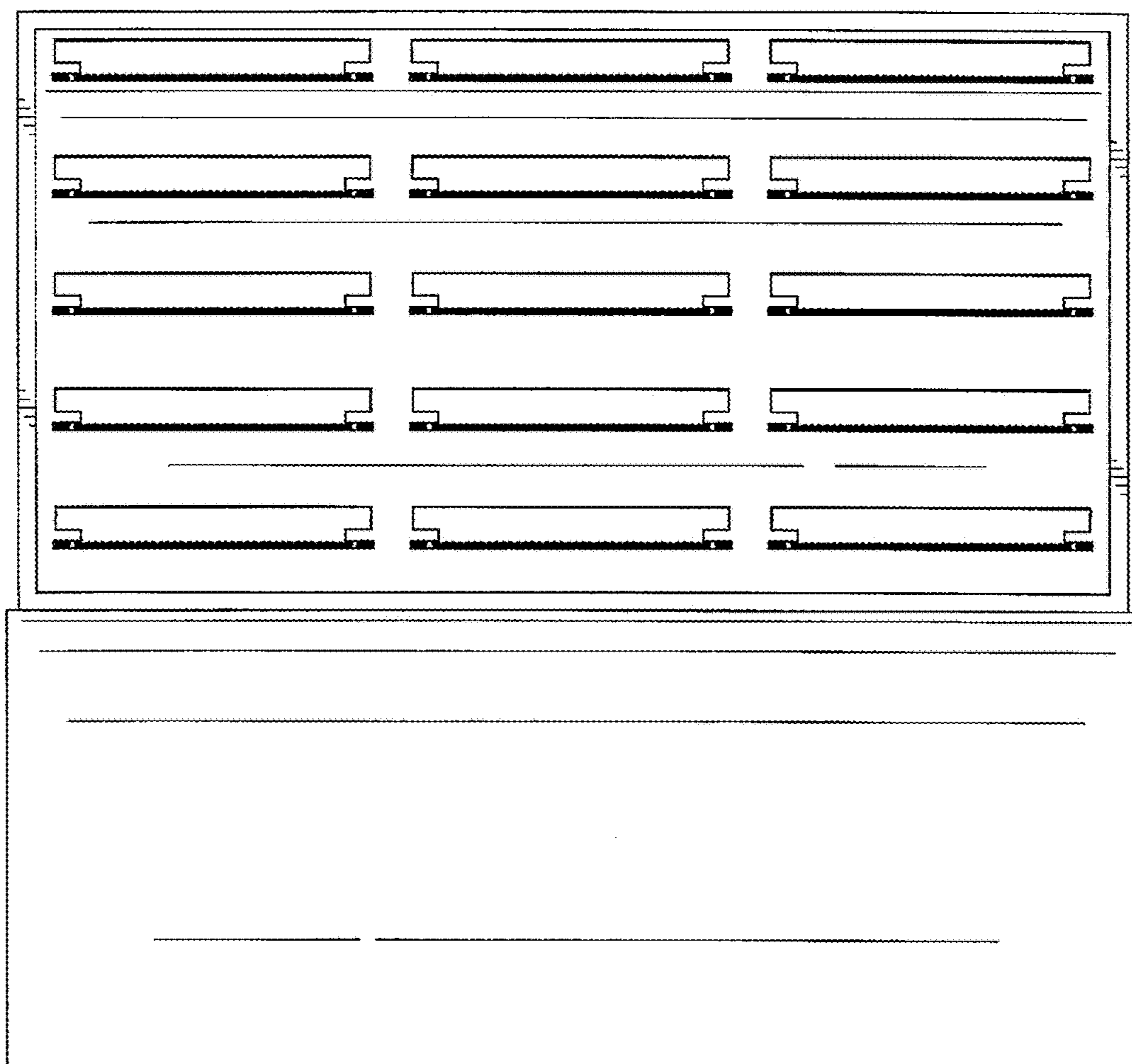


FIG. 7