



US00D846121S

(12) **United States Design Patent** (10) **Patent No.:** **US D846,121 S**  
**Kuwae et al.** (45) **Date of Patent:** **\*\* Apr. 16, 2019**

(54) **ENDOSCOPE**

(71) Applicant: **FUJIFILM Corporation**, Tokyo (JP)

(72) Inventors: **Toshiharu Kuwae**, Ashigarakami-gun (JP); **Yuta Kawamoto**, Ashigarakami-gun (JP); **Takeshi Yukiiri**, Ashigarakami-gun (JP)

(73) Assignee: **FUJIFILM Corporation**, Tokyo (JP)

(\*\*) Term: **15 Years**

(21) Appl. No.: **29/543,440**

(22) Filed: **Oct. 23, 2015**

(30) **Foreign Application Priority Data**

Apr. 24, 2015 (JP) ..... 2015-009329

(51) **LOC (11) Cl.** ..... **24-02**

(52) **U.S. Cl.**  
USPC ..... **D24/138**

(58) **Field of Classification Search**  
USPC ..... D24/133, 137, 138, 146; D9/454, 551, D9/686, 445, 449

(Continued)

(56) **References Cited**

**U.S. PATENT DOCUMENTS**

6,311,878 B1 \* 11/2001 Kimble ..... B65D 47/0814  
222/494  
6,454,702 B1 \* 9/2002 Smith ..... A61B 1/015  
600/104

(Continued)

**FOREIGN PATENT DOCUMENTS**

JP D1236464 S 4/2005  
JP 2010-11918 A 1/2010

(Continued)

**OTHER PUBLICATIONS**

FUJIFILM Corporation, "HJ25045034," available at [http://www.fujifilm.co.jp/corporate/news/articleffnr\\_0813.html](http://www.fujifilm.co.jp/corporate/news/articleffnr_0813.html), Oct. 9, 2013, 4 pages.

(Continued)

*Primary Examiner* — Eliza Z Bennett-Hattan  
(74) *Attorney, Agent, or Firm* — Birch, Stewart, Kolasch & Birch, LLP

(57) **CLAIM**

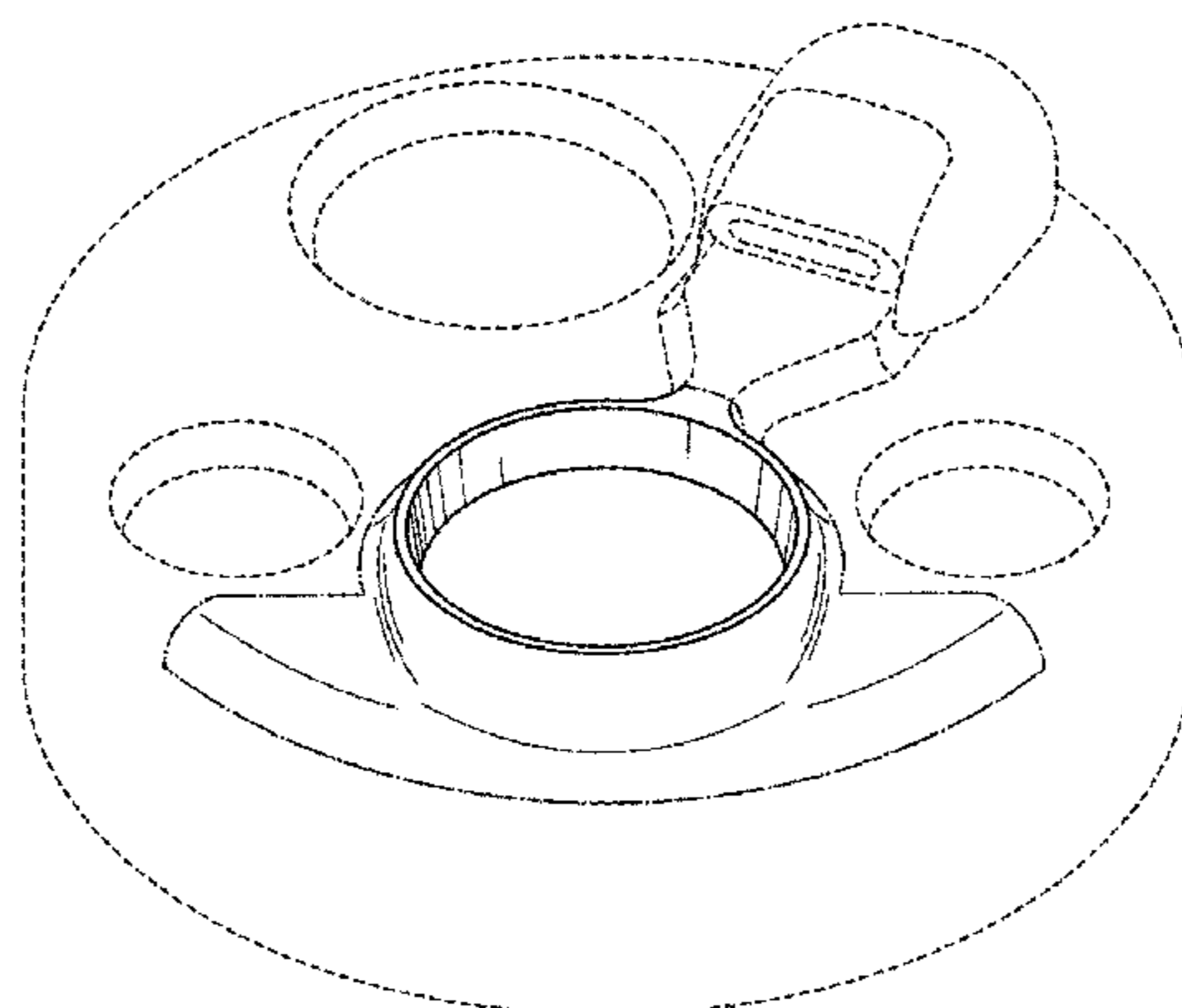
The ornamental design for an endoscope, as shown and described.

**DESCRIPTION**

FIG. 1 is a perspective view;  
FIG. 2 is an enlarged partial perspective view;  
FIG. 3 is a front view of an endoscope showing our new design;  
FIG. 4 is a rear view thereof;  
FIG. 5 is a plan view thereof;  
FIG. 6 is a bottom view thereof;  
FIG. 7 is a right side view thereof;  
FIG. 8 is a left side view thereof;  
FIG. 9 is an enlarged partial left side view of 11-11 section of FIG. 3;  
FIG. 10 is an enlarged partial view taken along line 11-11 of FIG. 3;  
FIG. 11 is an enlarged partial view taken along line 12-12 of FIG. 4;  
FIG. 12 is an enlarged partial view taken along line 13-13 of FIG. 5;  
FIG. 13 is an enlarged partial view taken along line 14-14 of FIG. 6;  
FIG. 14 is a view from line 15-15 of FIG. 10;  
FIG. 15 is a sectional view which is omitted internal mechanism and is taken along line 16-16 of FIG. 14;  
FIG. 16 is a sectional view which is omitted internal mechanism and is taken along line 17-17 of FIG. 14; and,  
FIG. 17 is a sectional view which omits internal mechanism and is taken along line 18-18 of FIG. 14.

The details outlined in dashed broken lines depict unclaimed portions of the endoscope and form no part of the claim. The dash-dot-dash lines disclose the boundary of the claim and

(Continued)



forms no part of the claimed design. The appearance of any portion of the article between the intermediate omitted portion forms no part of the claimed design.

**1 Claim, 12 Drawing Sheets**

**(58) Field of Classification Search**

CPC ..... A61B 1/00096; A61B 1/018  
See application file for complete search history.

**(56)**

**References Cited**

U.S. PATENT DOCUMENTS

D475,925	S	*	6/2003	Sturk	.....	D9/435
D477,222	S	*	7/2003	Pitassi	.....	D9/435
D549,332	S	*	8/2007	Matsumoto	.....	D24/138
D664,654	S	*	7/2012	Cuschieri	.....	D24/135
D666,717	S	*	9/2012	Hermle	.....	D24/138
D720,068	S	*	12/2014	Oberlaender	.....	D24/133
D756,512	S	*	5/2016	Oberlaender	.....	D24/133
D810,935	S	*	2/2018	Bresco Torras	.....	D24/138
D811,878	S	*	3/2018	Hamilton	.....	D9/445

2005/0205589	A1*	9/2005	Davis	.....	A47G 19/2272 220/714
2008/0214895	A1*	9/2008	Campos	.....	A61B 1/0008 600/129
2009/0306475	A1	12/2009	Yamamoto et al.		
2010/0228091	A1*	9/2010	Widenhouse	.....	A61B 17/3423 600/203
2011/0112363	A1	5/2011	Koga et al.		
2011/0166425	A1*	7/2011	Edelman	.....	A61B 17/3421 600/208
2016/0309994	A1*	10/2016	Kuwae	.....	A61B 1/00091
2017/0007105	A1*	1/2017	Dejima	.....	A61B 17/3421
2017/0007109	A1*	1/2017	Dejima	.....	A61B 17/3421

FOREIGN PATENT DOCUMENTS

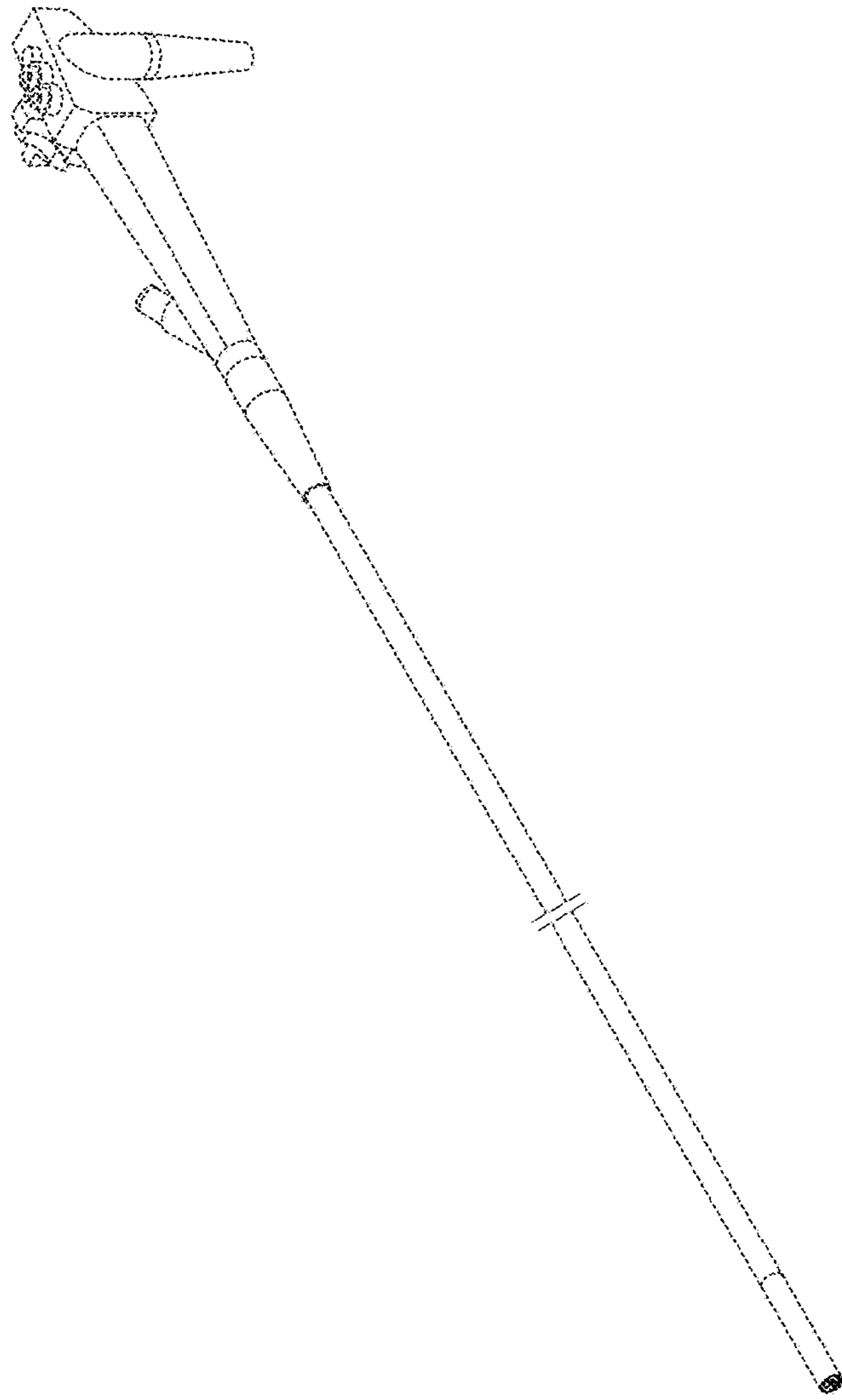
JP	2011-120863	A	6/2011
JP	2012-115421	A	6/2012
JP	2012-213441	A	11/2012

OTHER PUBLICATIONS

Japanese Office Action, dated Nov. 12, 2015, for Japanese Application No. 2015-009329, with a partial English translation.

\* cited by examiner

**FIG. 1**



**FIG. 2**

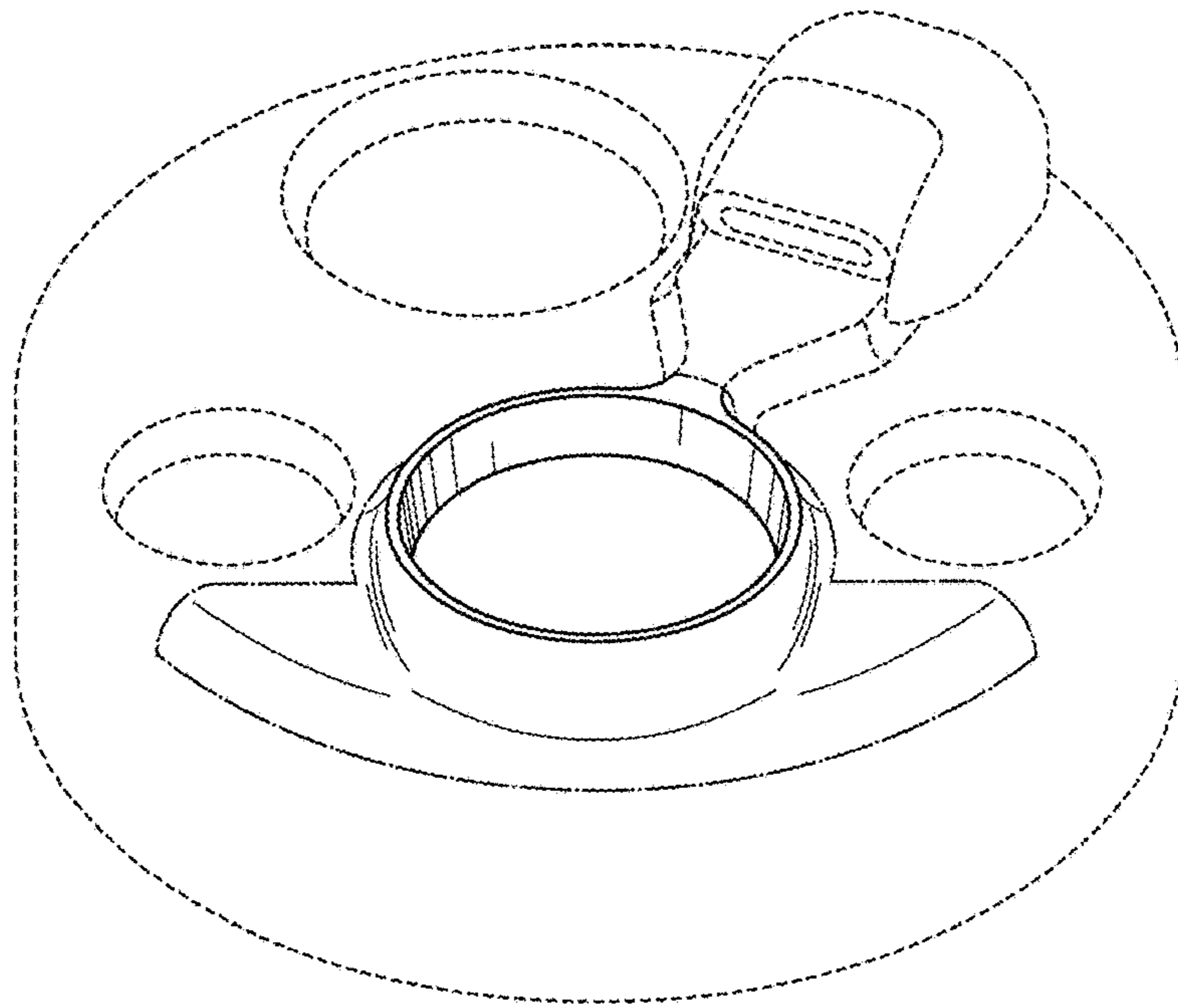


FIG. 3

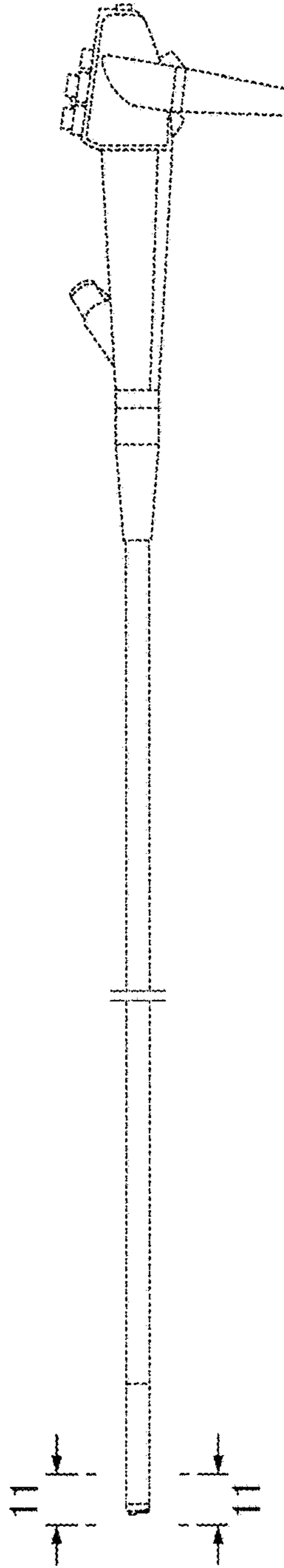


FIG. 4

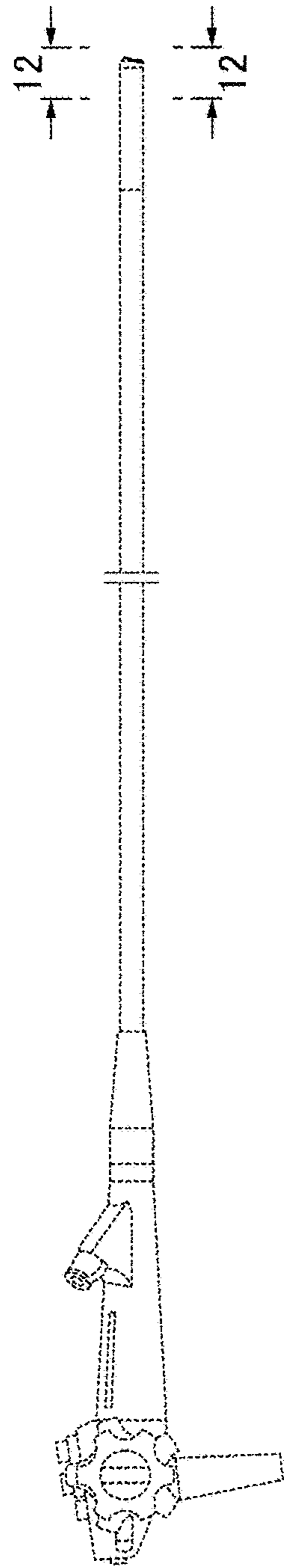
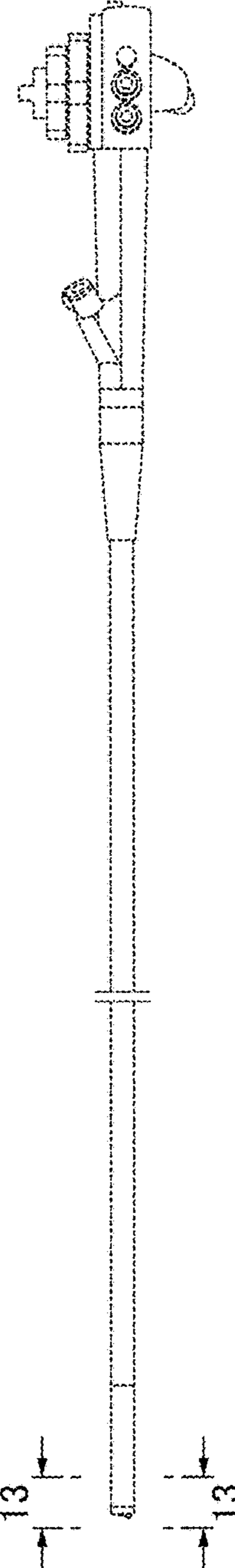
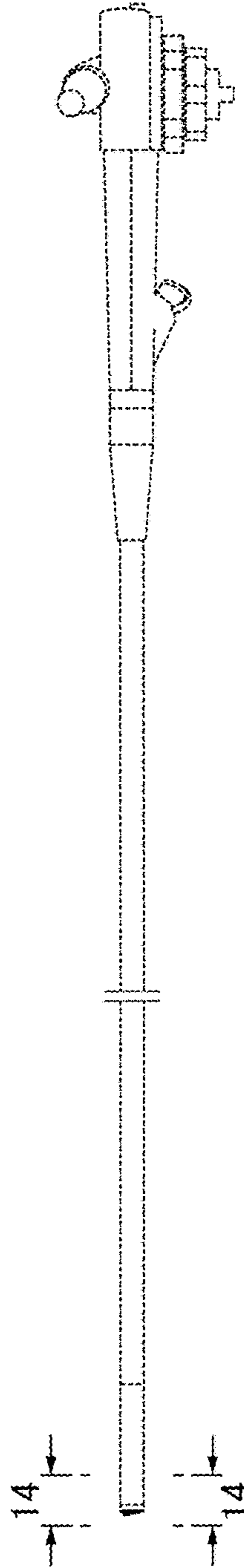


FIG. 5

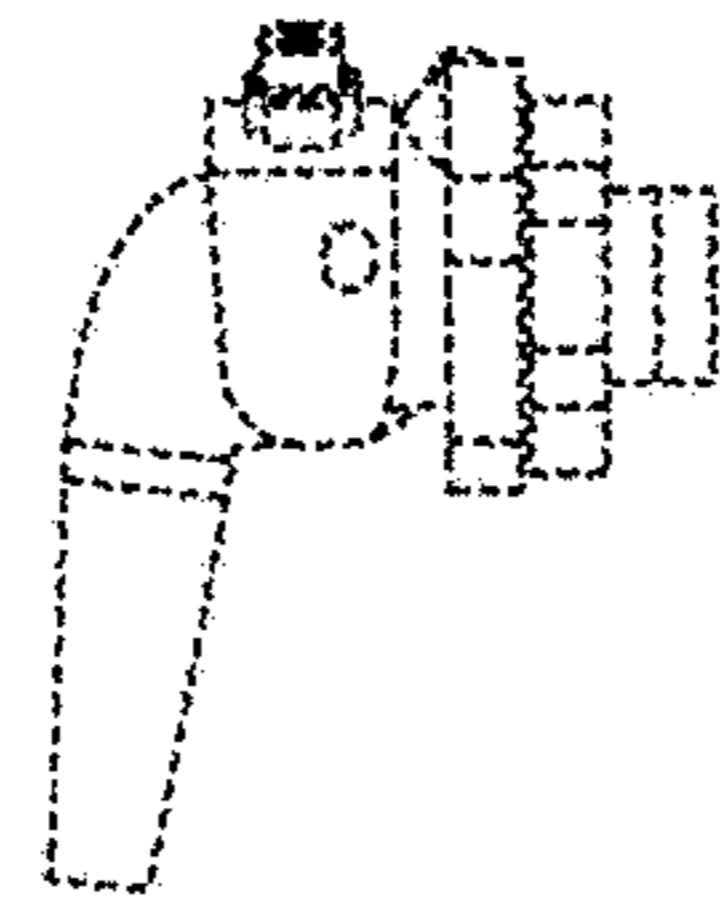


**FIG. 6**

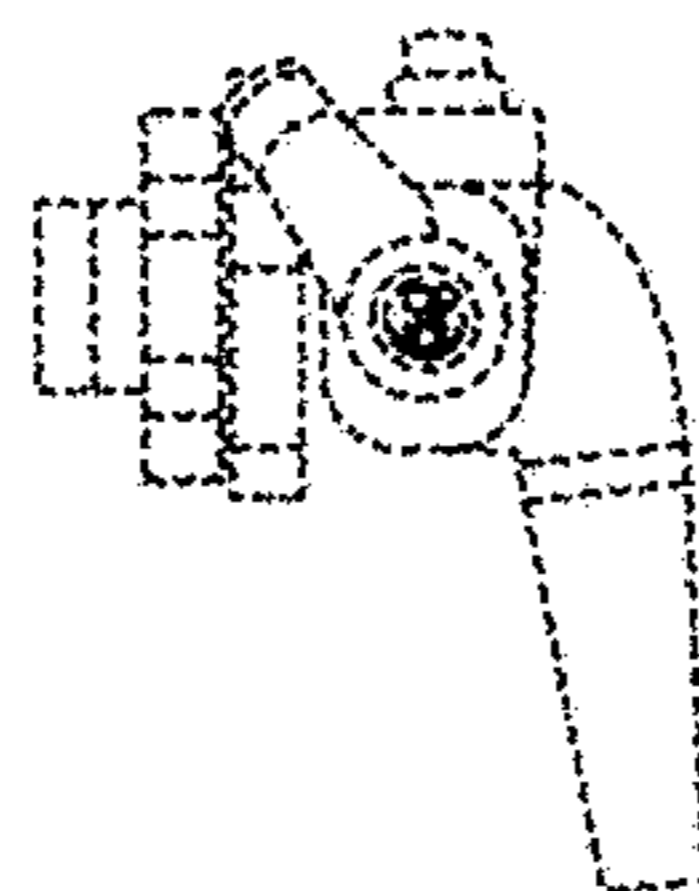




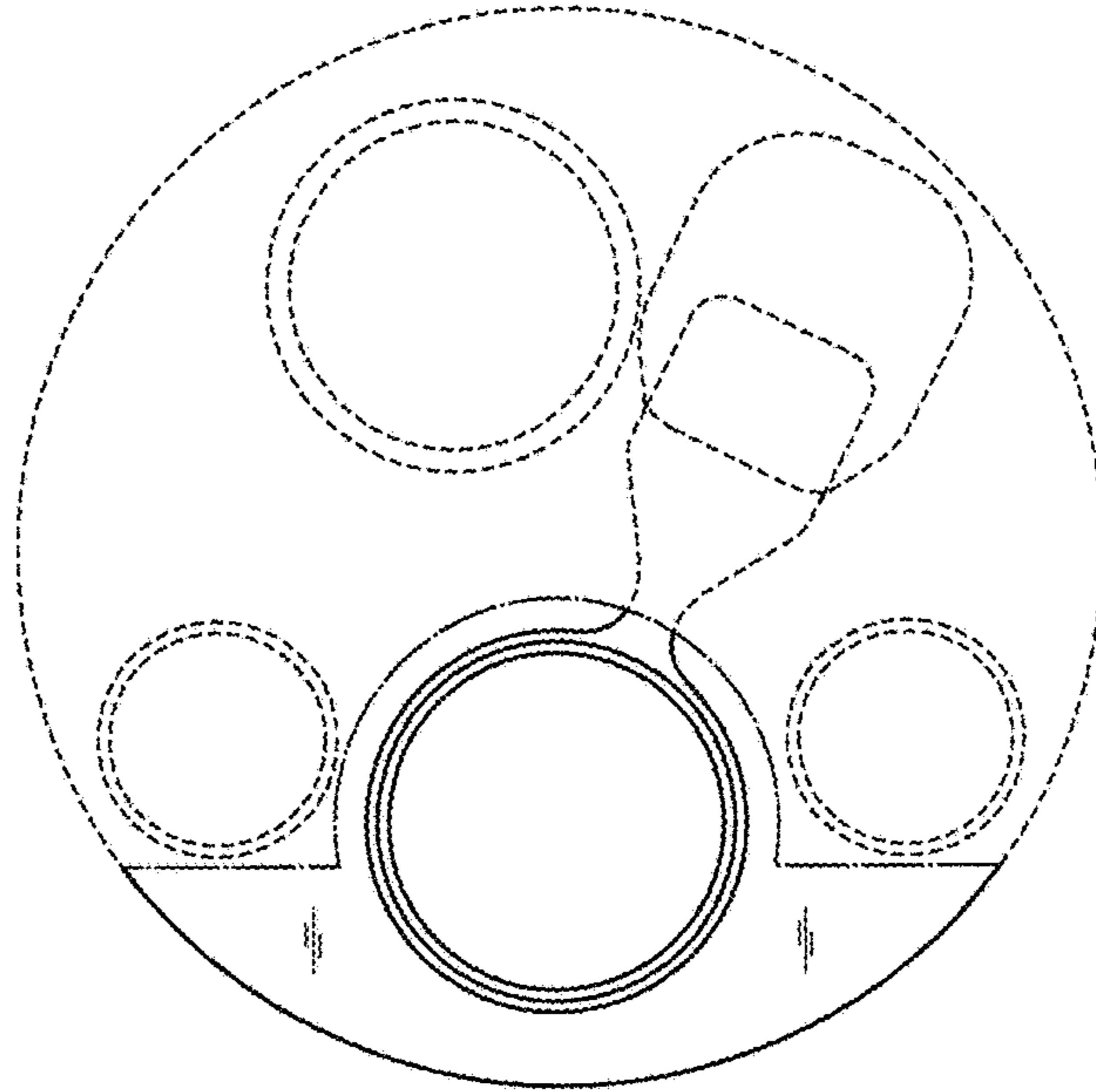
**FIG. 7**



**FIG. 8**

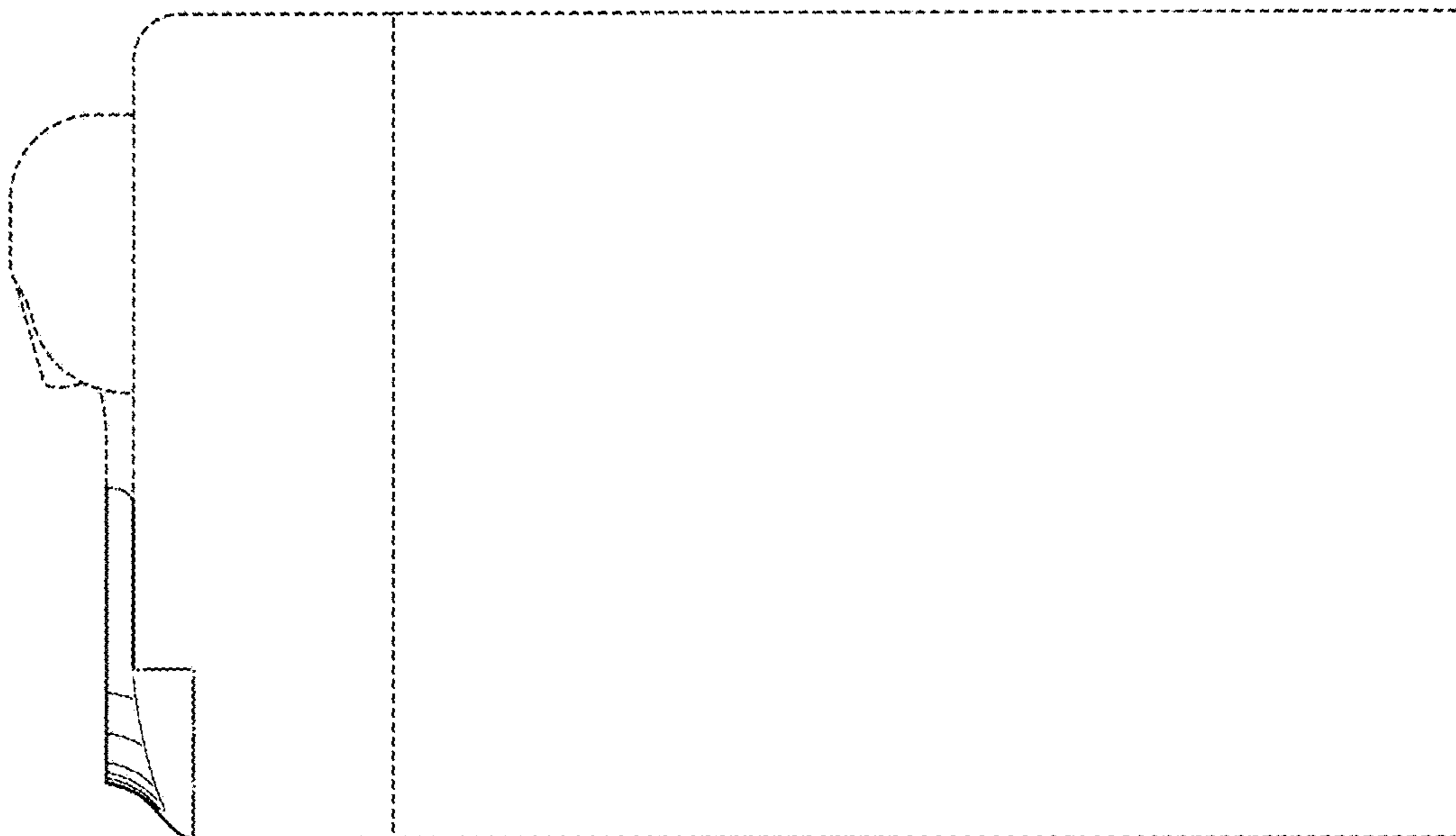


**FIG. 9**



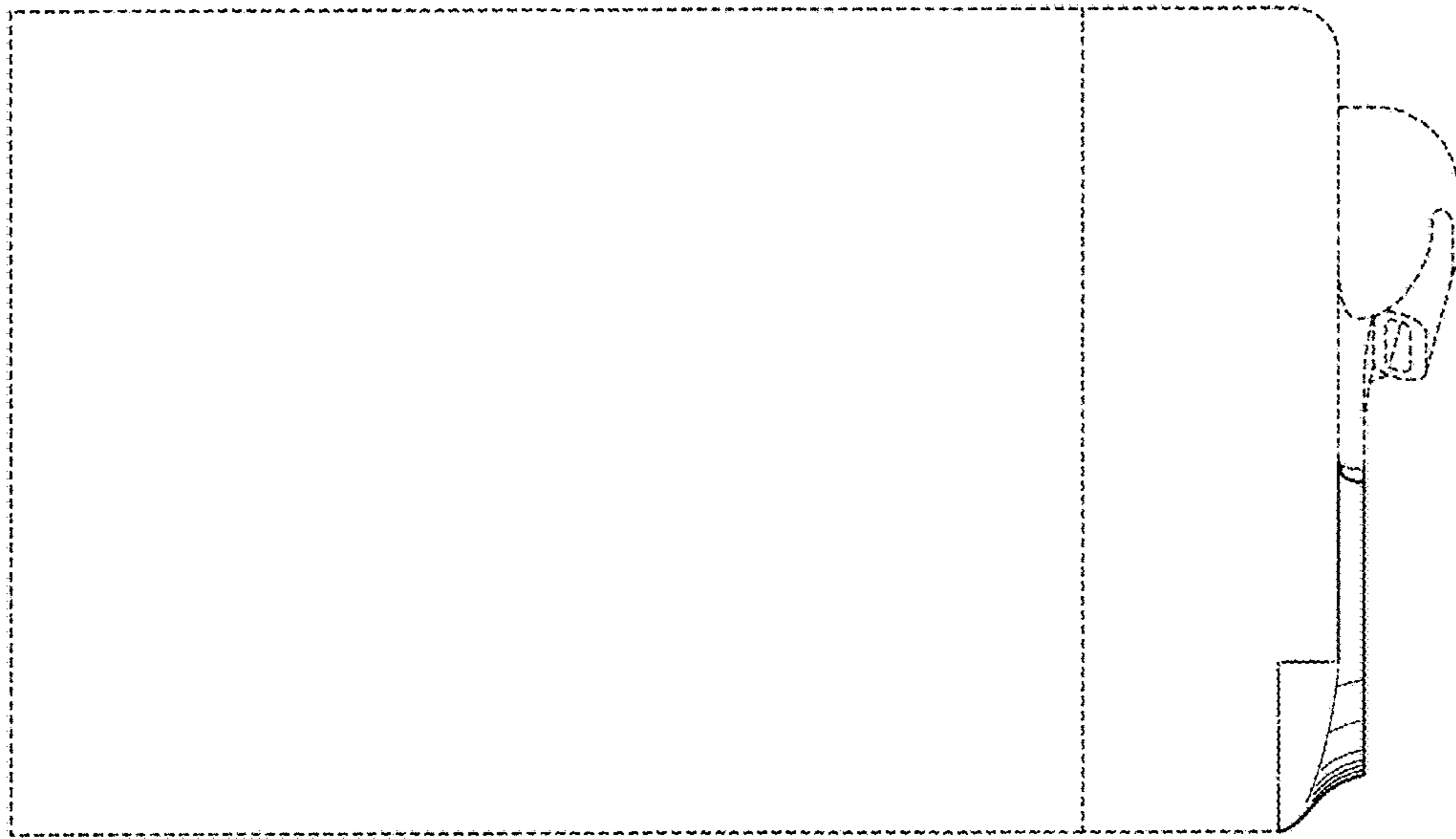
**FIG. 10**

15  
→

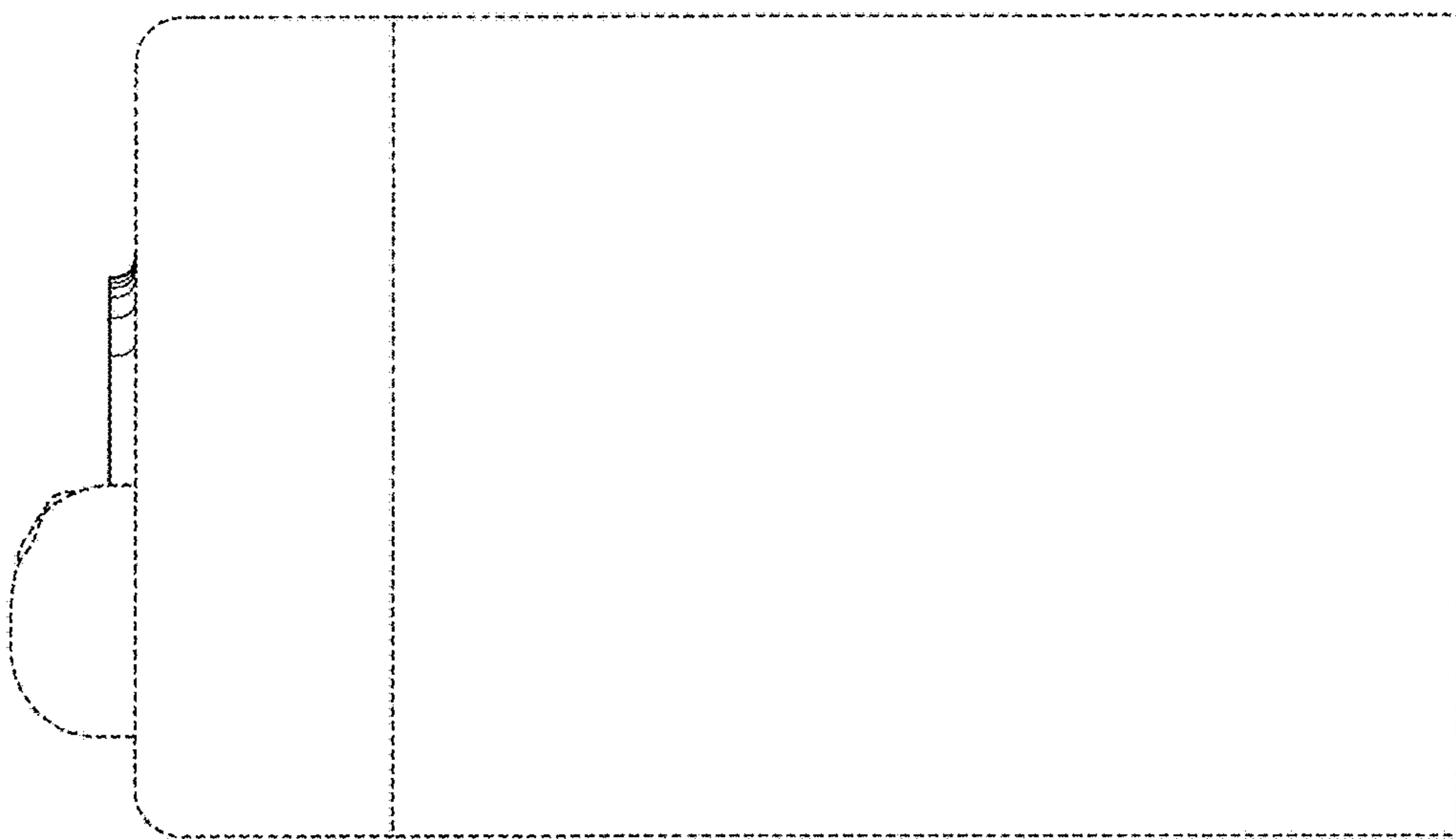


15  
→

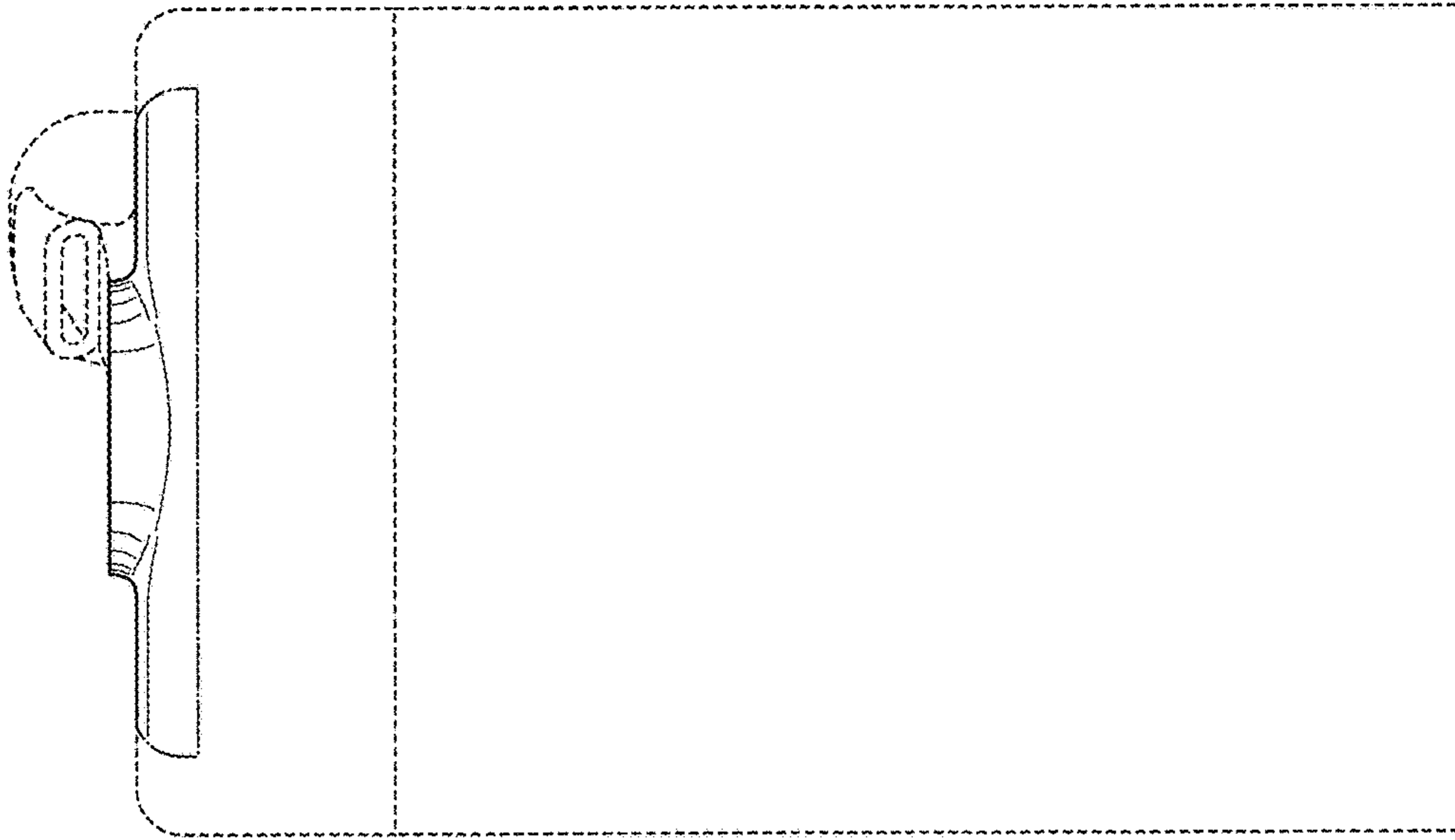
**FIG. 11**



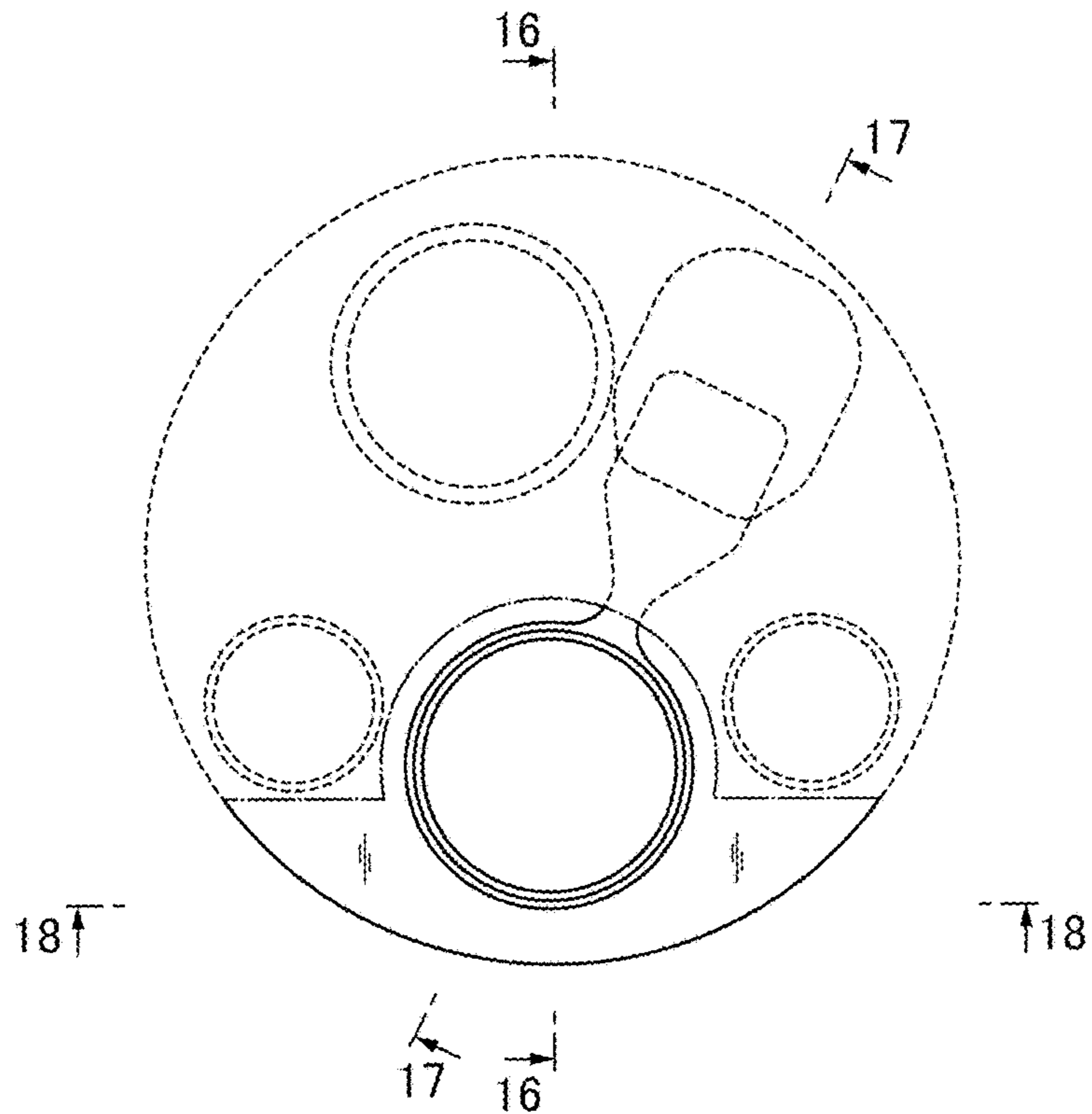
**FIG. 12**



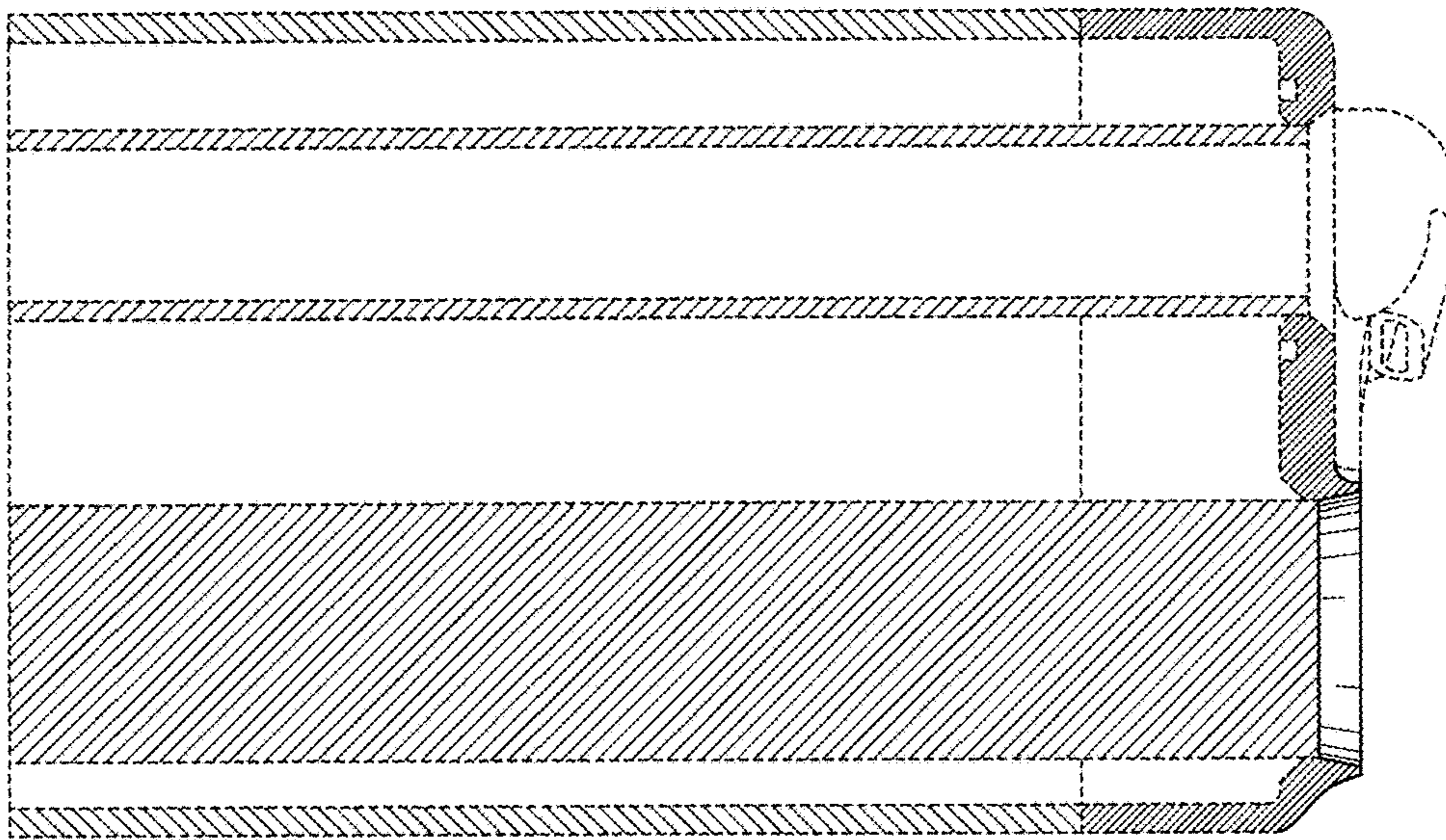
**FIG. 13**



**FIG. 14**



**FIG. 15**



**FIG. 16**

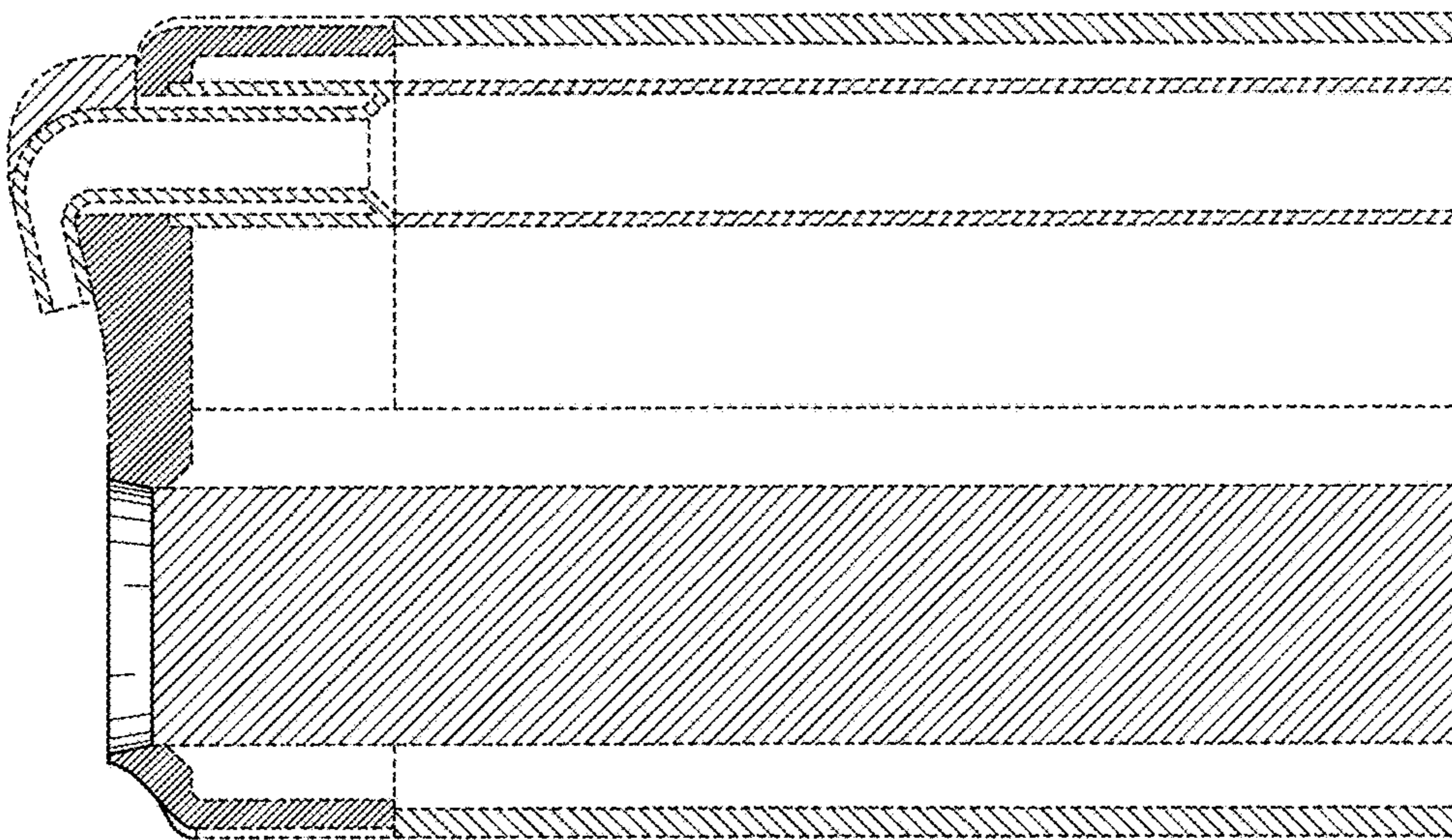


FIG. 17

