



US00D846119S

(12) **United States Design Patent** (10) **Patent No.:** **US D846,119 S**  
**Greeley et al.** (45) **Date of Patent:** **\*\* Apr. 16, 2019**

(54) **LIGHTED SURGICAL RETRACTOR BASE**

FOREIGN PATENT DOCUMENTS

(71) Applicant: **Medtronic Advanced Energy LLC**,  
Minneapolis, MN (US)

CN 105559740 A 5/2016  
WO 2004044632 A1 5/2004

(72) Inventors: **Roger D. Greeley**, Portsmouth, NH  
(US); **Jonathan J. Barry**, Stratham,  
NH (US)

OTHER PUBLICATIONS

(73) Assignee: **Medtronic Advanced Energy LLC**,  
Minneapolis, MN (US)

Medtronic RadiaLux Lighted Retractor, as posted at Medtronic.com [online], no posting date available, [site visited Mar. 28, 2018]. Available from the Internet, <URL: <https://www.medtronic.com/us-en/healthcare-professionals/products/general-surgery/lighted-retractors/radialux.html>>.\*

(\*\*) Term: **15 Years**

(Continued)

(21) Appl. No.: **29/591,770**

*Primary Examiner* — Jeffrey D Asch

(22) Filed: **Jan. 24, 2017**

*Assistant Examiner* — Rebekah A Caruso

(51) **LOC (11) Cl.** ..... **24-02**

(74) *Attorney, Agent, or Firm* — Dicke, Billig & Czaja,  
PLLC

(52) **U.S. Cl.**  
USPC ..... **D24/135**

(57) **CLAIM**

(58) **Field of Classification Search**  
USPC ..... D24/133, 135, 136, 140, 143, 150, 151,  
D24/152, 176, 138, 146; 600/210, 217,  
600/235, 237, 201, 214, 240; 606/191;  
433/140, 141; D10/55, 56, 57; D8/303;  
D7/395

The ornamental design for a lighted surgical retractor base,  
as shown and described.

CPC . A61B 17/02; A61B 17/0206; A61B 17/0218;  
A61B 1/00; A61B 1/32

**DESCRIPTION**

See application file for complete search history.

FIG. 1 is a side perspective view of a lighted surgical retractor base in accordance with principles of the present disclosure;

(56) **References Cited**

U.S. PATENT DOCUMENTS

4,344,419 A 8/1982 Burgin  
4,697,578 A \* 10/1987 Burgin ..... A61B 1/267  
600/212  
5,928,139 A 7/1999 Koros et al.  
5,947,896 A 9/1999 Sherts et al.  
5,967,971 A 10/1999 Bolser  
6,035,742 A \* 3/2000 Hollingsworth ..... B62K 21/26  
74/551.8  
D425,202 S \* 5/2000 Hammond ..... D24/152

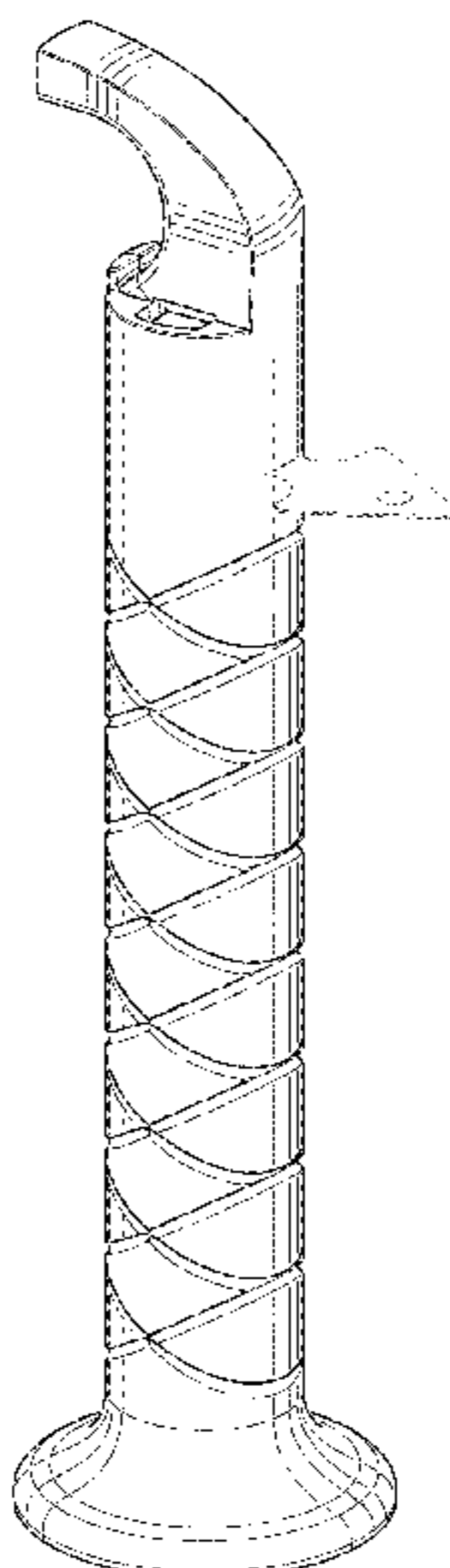
FIG. 2 is a rear end view thereof;

FIG. 3 is a front end view thereof;  
FIG. 4 is a right side view thereof;  
FIG. 5 is a left side view thereof;  
FIG. 6 is a top plan view thereof;  
FIG. 7 is a bottom plan view thereof; and,  
FIG. 8 is the side perspective view of the lighted surgical retractor base of FIG. 1 shown with a retractor blade indicated with broken lines.

The broken lines illustrating the retractor blade in FIG. 8 are environment; the remaining broken lines in FIG. 8 and the broken lines shown in FIGS. 1, 2 and 4-7 illustrate portions of the lighted surgical retractor base. None of the broken lines form any part of the claimed design.

(Continued)

**1 Claim, 8 Drawing Sheets**



(56)

References Cited

U.S. PATENT DOCUMENTS

6,080,105 A 6/2000 Spears  
 6,109,918 A \* 8/2000 Hammond ..... A61C 13/12  
 433/141  
 6,196,968 B1 3/2001 Rydin et al.  
 6,322,499 B1 11/2001 Evans et al.  
 6,322,500 B1 11/2001 Sikora et al.  
 6,331,157 B2 12/2001 Hancock  
 D453,292 S \* 2/2002 Tsuzuki ..... D8/300  
 6,364,832 B1 4/2002 Propp  
 D461,390 S \* 8/2002 Livingston ..... D8/303  
 6,554,768 B1 4/2003 Leonard  
 6,729,877 B2 \* 5/2004 Rahman ..... A61C 3/00  
 433/141  
 6,805,666 B2 10/2004 Holland et al.  
 6,817,978 B2 11/2004 Holland et al.  
 6,893,394 B2 5/2005 Douglas et al.  
 6,929,606 B2 8/2005 Ritland  
 7,306,559 B2 12/2007 Williams  
 7,384,392 B2 6/2008 Bayat  
 7,481,766 B2 1/2009 Lee et al.  
 D593,716 S \* 6/2009 Strauss ..... D30/156  
 7,686,492 B2 3/2010 Vayser et al.  
 7,766,825 B2 8/2010 Hamel  
 7,922,658 B2 4/2011 Cohen et al.  
 8,029,440 B2 10/2011 Bimkrant et al.  
 D648,204 S \* 11/2011 Parvey ..... D8/303  
 8,047,987 B2 11/2011 Grey et al.  
 8,062,217 B2 11/2011 Boucher et al.  
 8,088,066 B2 1/2012 Grey et al.  
 8,097,026 B2 1/2012 Gorek  
 D658,288 S \* 4/2012 Ryshkus ..... D24/135  
 8,187,180 B2 5/2012 Pacey  
 8,257,250 B2 9/2012 Tenger et al.  
 8,262,569 B2 9/2012 Hestad et al.  
 D668,333 S \* 10/2012 Lee ..... D24/135  
 8,317,693 B2 11/2012 Grey et al.  
 8,409,088 B2 4/2013 Grey et al.  
 8,460,185 B2 6/2013 Epstein et al.  
 8,684,577 B2 4/2014 Vayser  
 8,747,394 B2 6/2014 Belson et al.  
 8,864,657 B2 10/2014 Tydlaska  
 8,876,709 B2 11/2014 Vayser et al.  
 D719,652 S 12/2014 Swift  
 8,899,809 B2 12/2014 Vayser et al.

8,992,425 B2 3/2015 Karpowicz et al.  
 9,011,323 B2 4/2015 Vayser et al.  
 9,031,628 B2 5/2015 Mao et al.  
 9,125,587 B2 9/2015 Hawkins et al.  
 D740,098 S \* 10/2015 Kuo ..... D8/303  
 9,718,130 B1 \* 8/2017 Vayser ..... B22F 5/04  
 D805,641 S \* 12/2017 Gu ..... D24/152  
 D809,138 S \* 1/2018 Khan ..... D24/133  
 2005/0240081 A1 \* 10/2005 Eliachar ..... A61B 1/267  
 600/199  
 2006/0084032 A1 \* 4/2006 Tipton ..... A61C 3/00  
 433/141  
 2006/0217596 A1 9/2006 Williams  
 2007/0060795 A1 3/2007 Vayser et al.  
 2007/0066872 A1 3/2007 Morrison et al.  
 2007/0112257 A1 5/2007 Hensler  
 2008/0132766 A1 6/2008 Dant et al.  
 2010/0022843 A1 1/2010 Pecherer et al.  
 2010/0069722 A1 3/2010 Shalman et al.  
 2010/0298648 A1 11/2010 Gray  
 2012/0059226 A1 3/2012 Funt  
 2012/0116170 A1 \* 5/2012 Vayser ..... A61B 1/0676  
 600/203  
 2012/0245431 A1 9/2012 Baudouin et al.  
 2013/0197313 A1 8/2013 Wan  
 2014/0012090 A1 1/2014 Heitland et al.  
 2014/0221763 A1 8/2014 Vayser et al.  
 2014/0323811 A1 10/2014 DeSantis et al.  
 2015/0080666 A1 3/2015 Vayser et al.  
 2015/0250555 A1 9/2015 Haverich et al.  
 2016/0008088 A1 1/2016 Vayser et al.  
 2016/0030128 A1 2/2016 Duggal et al.  
 2016/0100751 A1 4/2016 Davis et al.  
 2016/0151058 A1 6/2016 Ferro et al.  
 2016/0151116 A1 6/2016 Wayne et al.  
 2016/0192921 A1 7/2016 Pimenta et al.

OTHER PUBLICATIONS

Invuity Retractor (pictured on p. 1 & 2), as posted at Invuity.com [online], posting date not available, [site visited Mar. 29, 2018]. Available from the Internet, <URL: <https://invuity.com/products/retractors/eikon-1t/>>.\*  
 PCT Search Report and Written Opinion dated Mar. 15, 2018 for PCT/US2018/012515 (12 pages).

\* cited by examiner

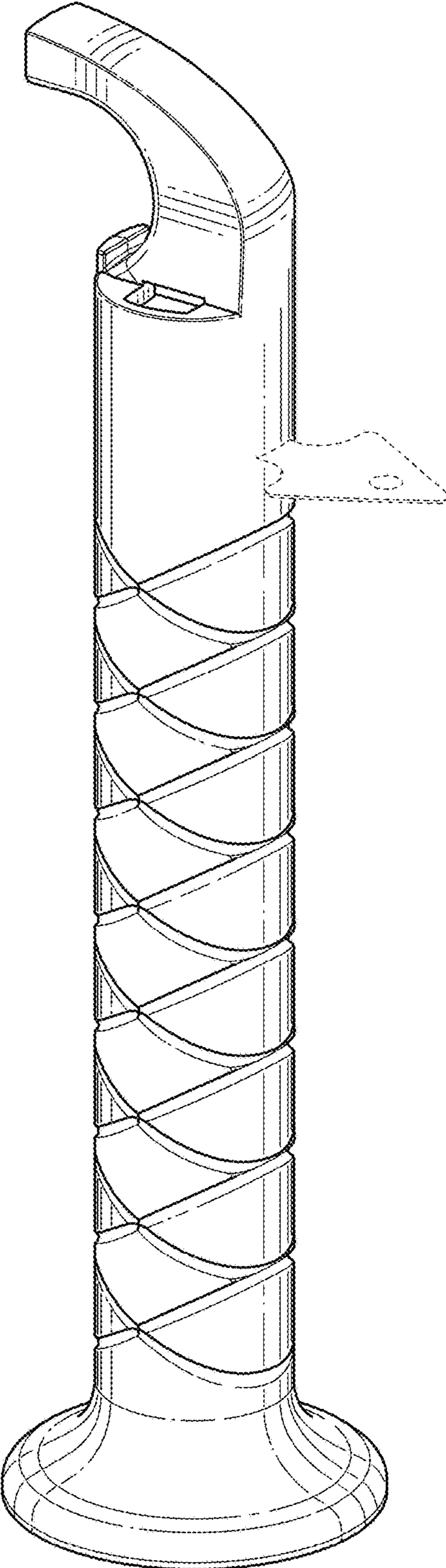


FIG. 1

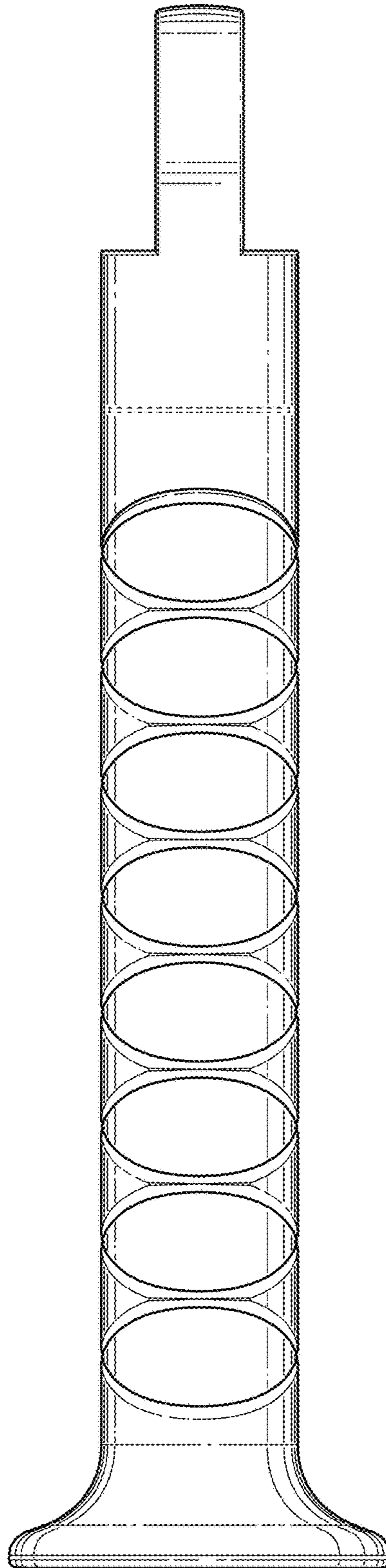


FIG. 2

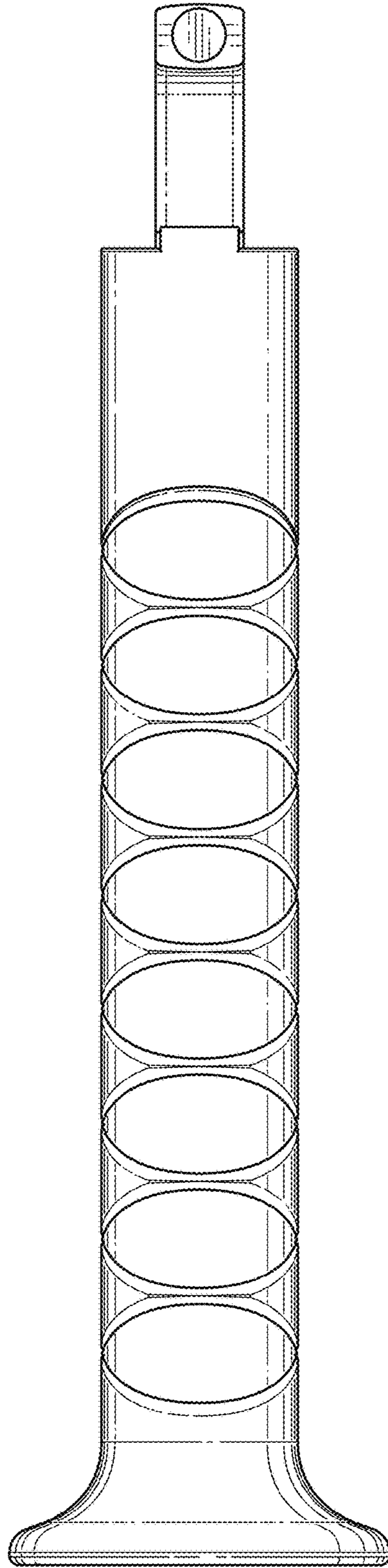


FIG. 3

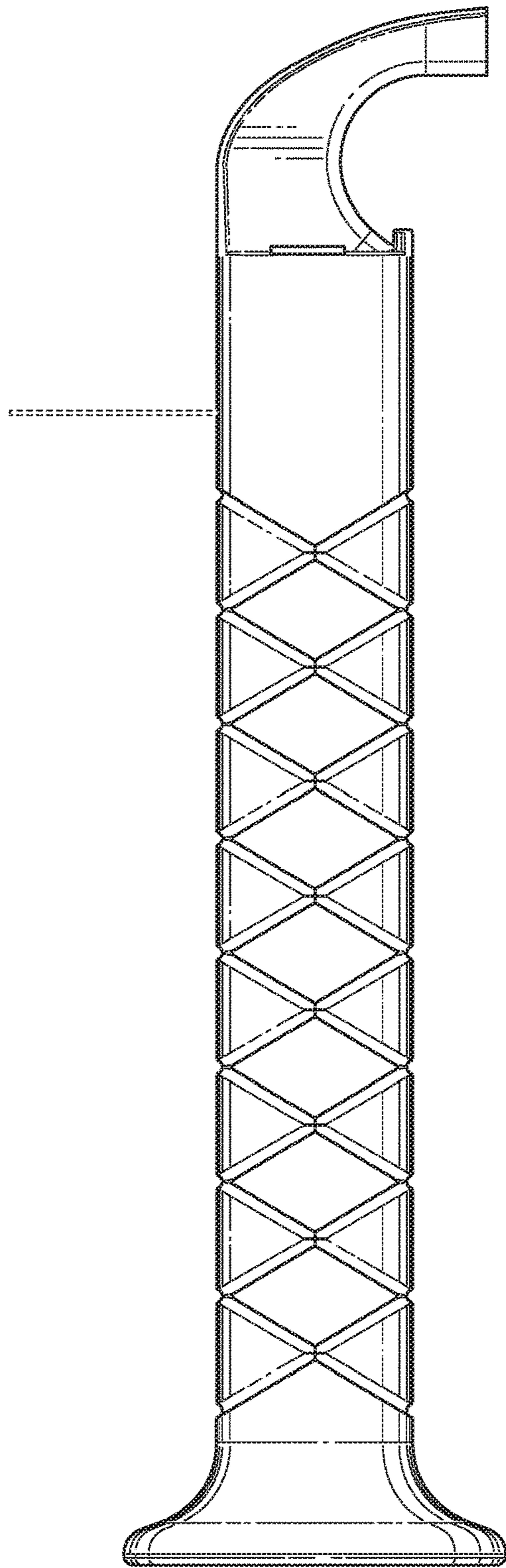


FIG. 4

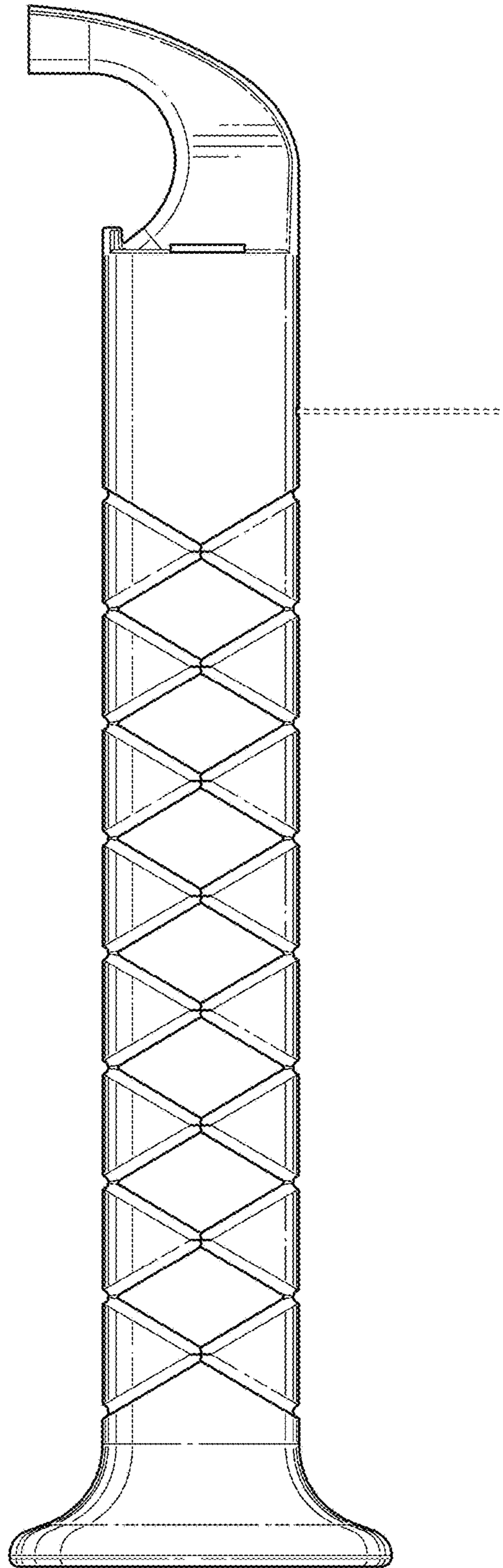


FIG. 5

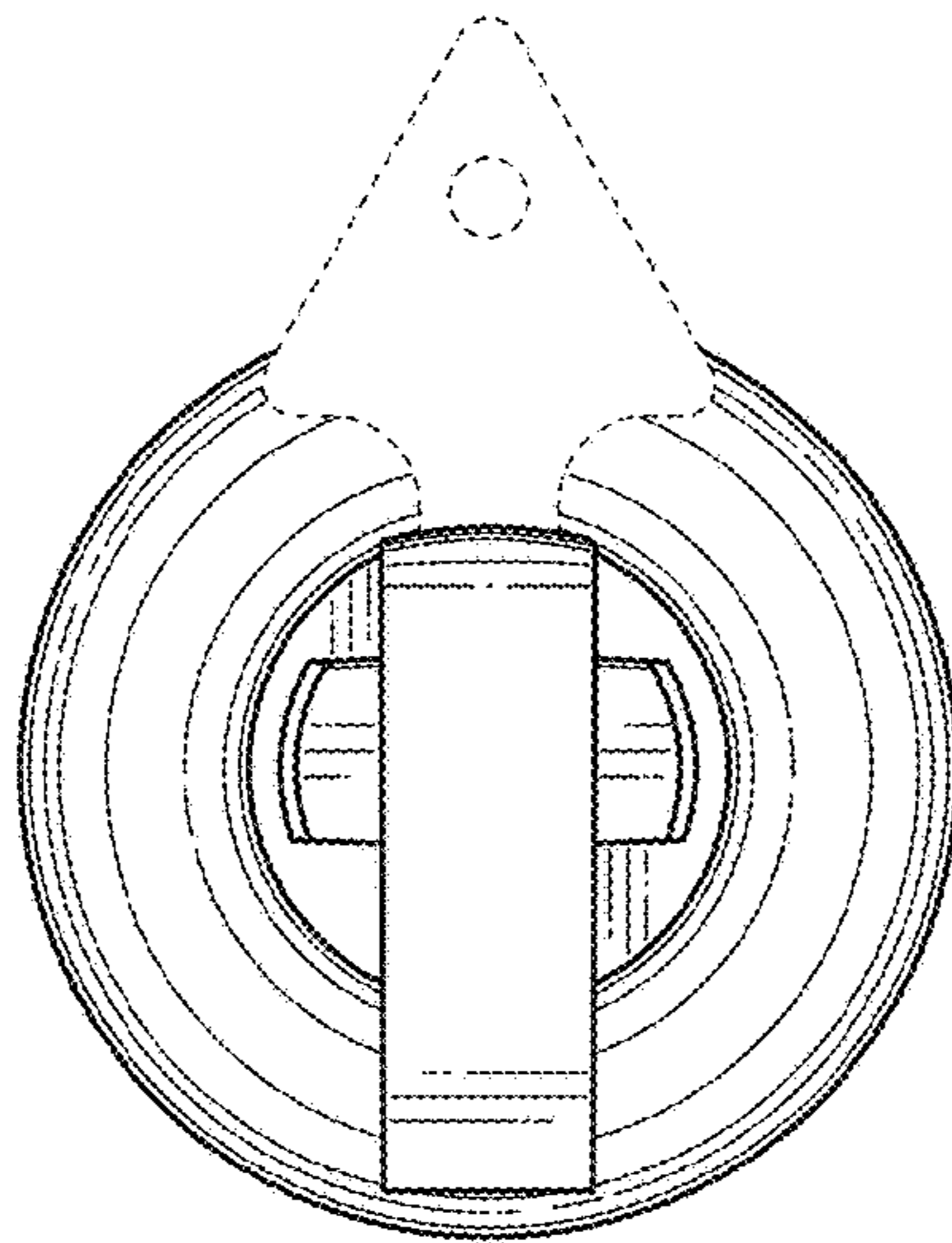


FIG. 6



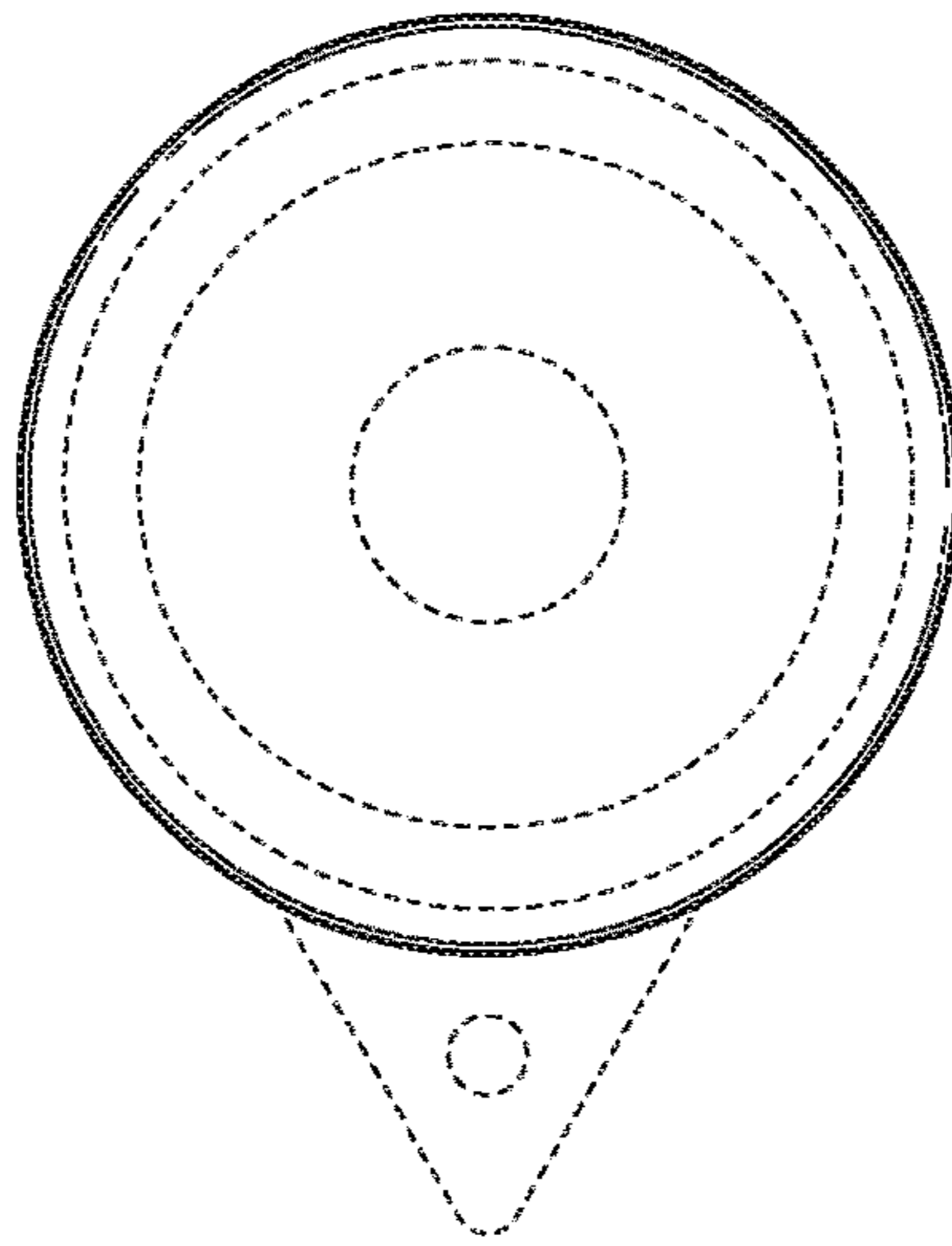


FIG. 7

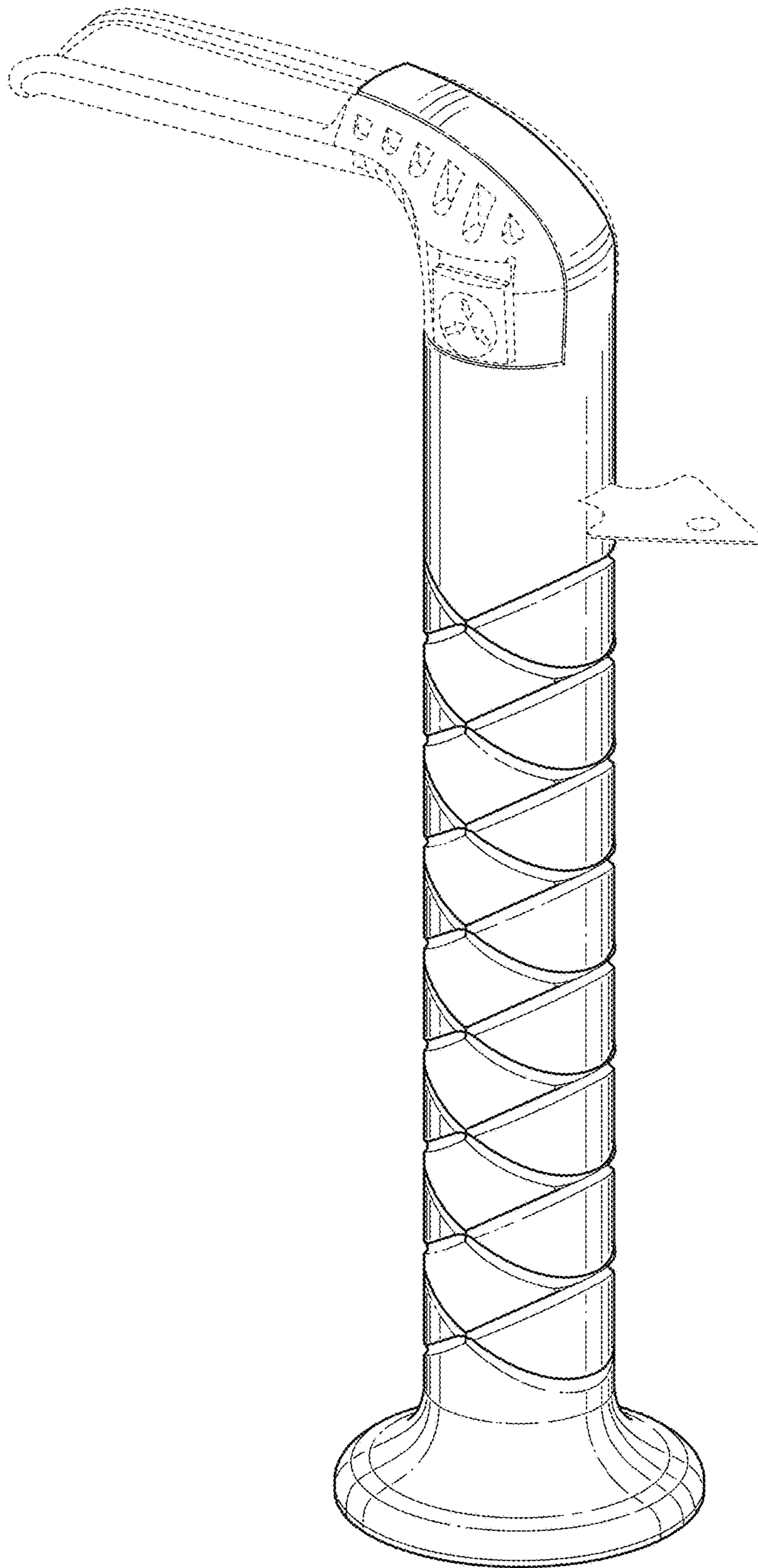


FIG. 8