



US00D846117S

(12) **United States Design Patent**
Lesch

(10) **Patent No.:** **US D846,117 S**
(45) **Date of Patent:** **** Apr. 16, 2019**

(54) **ENDOSCOPIC CAMERA**

(71) Applicant: **ENTELLUS MEDICAL, INC.**,
Plymouth, MN (US)
(72) Inventor: **Paul Lesch**, Lino Lakes, MN (US)
(73) Assignee: **ENTELLUS MEDICAL, INC.**,
Plymouth, MN (US)

(**) Term: **15 Years**

(21) Appl. No.: **29/577,198**

(22) Filed: **Sep. 9, 2016**

(51) **LOC (11) Cl.** **24-02**

(52) **U.S. Cl.**
USPC **D24/133**

(58) **Field of Classification Search**
USPC D24/108, 127, 133, 147, 144, 137, 138,
D24/113
CPC A61B 17/3421
See application file for complete search history.

(56) **References Cited**

U.S. PATENT DOCUMENTS

D326,714	S *	6/1992	Funakoshi	D24/138
D548,328	S *	8/2007	Fedenia	D24/108
D553,242	S *	10/2007	Fedenia	D24/108
7,520,876	B2	4/2009	Ressemann et al.		
7,678,099	B2	3/2010	Ressemann et al.		
7,842,062	B2	11/2010	Keith et al.		
7,879,061	B2	2/2011	Keith et al.		
D635,257	S *	3/2011	Ellman	D24/137
7,918,871	B2	4/2011	Truitt et al.		
D639,428	S *	6/2011	Yasue	D24/137
8,241,266	B2	8/2012	Keith et al.		
8,277,478	B2	10/2012	Drontle et al.		
8,282,667	B2	10/2012	Drontle et al.		
8,348,969	B2	1/2013	Keith et al.		
8,568,439	B2	10/2013	Keith et al.		
8,585,728	B2	11/2013	Keith et al.		
8,585,729	B2	11/2013	Keith et al.		

(Continued)

OTHER PUBLICATIONS

Wireless Endoscope Camera, Firefly Global, <http://fireflyglobal.com/de1250-wireless-endoscope-camera/>, printed: Sep. 8, 2016 (4pages).

Primary Examiner — Eliza Z Bennett-Hattan

(74) *Attorney, Agent, or Firm* — Vista IP Law Group LLP

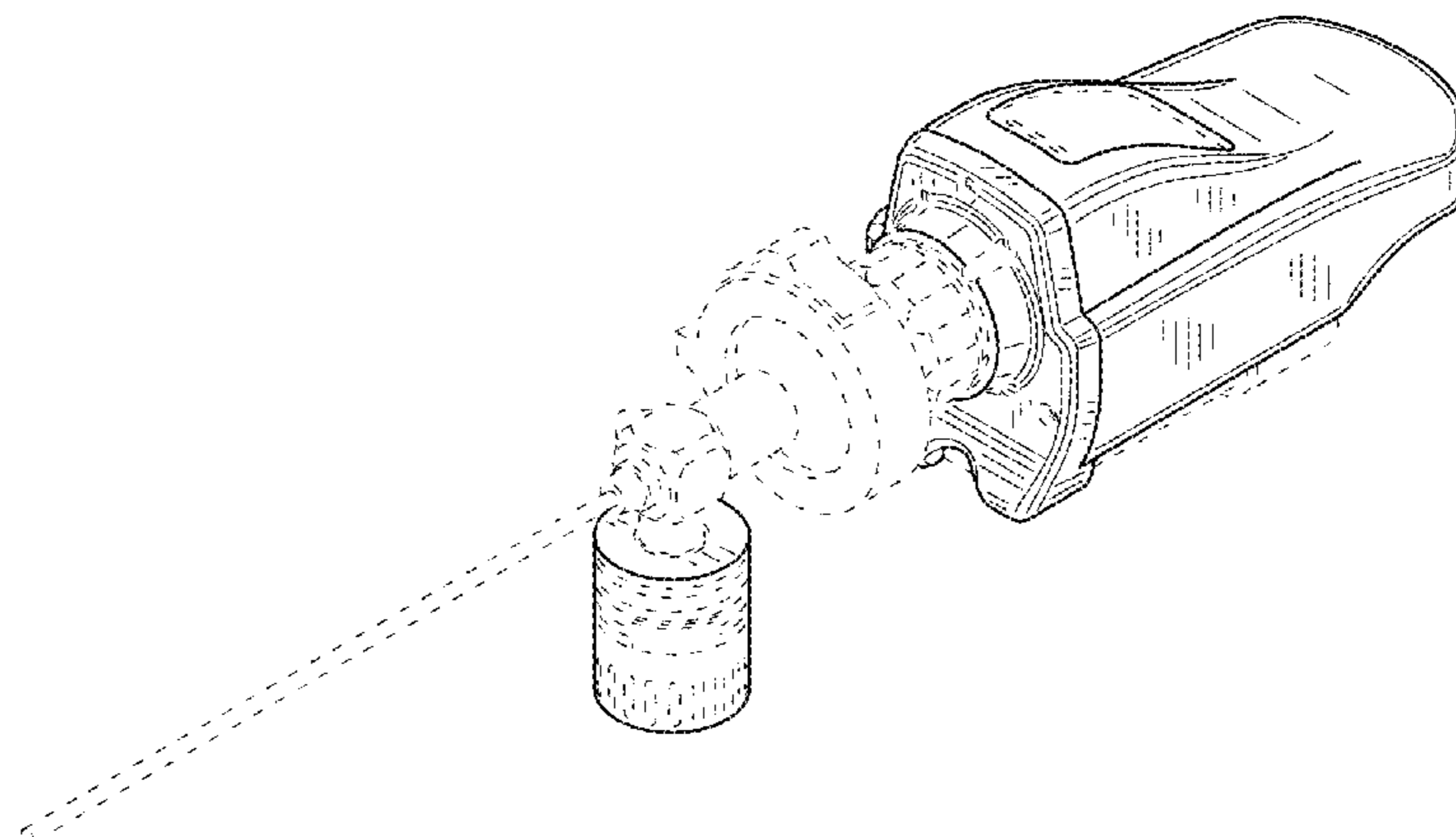
(57) **CLAIM**

The ornamental design of an endoscopic camera, as shown and described.

DESCRIPTION

FIG. 1 is a distal, top perspective-view of an embodiment of an endoscopic camera;
FIG. 2 is a proximal, top perspective-view thereof;
FIG. 3 is a bottom perspective-view thereof;
FIG. 4 is a left-side view thereof;
FIG. 5 is a right-side view thereof;
FIG. 6 is a top view thereof;
FIG. 7 is a bottom view thereof;
FIG. 8 is a distal view thereof;
FIG. 9 is a proximal view thereof;
FIG. 10 is a distal, top perspective-view of another embodiment of an endoscopic camera;
FIG. 11 is a proximal, top perspective-view thereof;
FIG. 12 is a bottom perspective-view thereof;
FIG. 13 is a left-side view thereof;
FIG. 14 is a right-side view thereof;
FIG. 15 is a top view thereof;
FIG. 16 is a bottom view thereof;
FIG. 17 is a distal view thereof, shown with an endoscope and light source removed for clarity; and,
FIG. 18 is a proximal view thereof.
The broken lines depict unclaimed portions of the endoscopic camera only, and form no part of the claimed design.

1 Claim, 16 Drawing Sheets



(56)

References Cited

U.S. PATENT DOCUMENTS

8,623,043 B1	1/2014	Keith et al.	9,486,614 B2	11/2016	Drontle et al.
8,657,846 B2	2/2014	Keith et al.	D776,811 S *	1/2017	Ogura D24/138
8,801,670 B2	8/2014	Drontle et al.	9,550,049 B2	1/2017	Hanson et al.
8,834,513 B2	9/2014	Hanson et al.	D782,039 S *	3/2017	Teufel D24/138
8,882,795 B2	11/2014	Drontle et al.	D790,697 S *	6/2017	Bresco Torras D24/138
8,888,686 B2	11/2014	Drontle et al.	9,694,167 B2	7/2017	Keith et al.
8,915,938 B2	12/2014	Keith et al.	9,700,705 B2	7/2017	Lesch, Jr. et al.
9,005,284 B2	4/2015	Ressemann	D793,554 S *	8/2017	Shimobayashi D24/138
9,101,739 B2	8/2015	Lesch, Jr. et al.	9,775,975 B2	10/2017	Ressemann et al.
9,192,748 B2	11/2015	Ressemann et al.	D823,463 S *	7/2018	Shaw D24/127
9,278,199 B2	3/2016	Keith et al.	10,022,525 B2	7/2018	Hanson et al.
9,282,986 B2	3/2016	Hanson et al.	10,029,069 B2	7/2018	Keith et al.
9,283,360 B2	3/2016	Lesch et al.	10,086,181 B2	10/2018	Lesch et al.
D753,296 S *	4/2016	Gill D24/138	2008/0172033 A1	7/2008	Keith et al.
9,320,876 B2	4/2016	Ressemann et al.	2016/0151614 A1	6/2016	Ressemann et al.
9,333,327 B2	5/2016	Setliff, III et al.	2016/0166814 A1	6/2016	Lesch et al.
9,339,637 B2	5/2016	Drontle et al.	2016/0367286 A1	12/2016	Drontle et al.
9,370,650 B2	6/2016	Hanson et al.	2017/0007282 A1	1/2017	Drontle
9,433,343 B2	9/2016	Drontle et al.	2017/0028112 A1	2/2017	Drontle et al.
9,440,049 B2	9/2016	Drontle et al.	2017/0050001 A1	2/2017	Drontle et al.
D771,252 S *	11/2016	Osada D24/138	2017/0113027 A1	4/2017	Drontle et al.
			2017/0368319 A1	12/2017	Lesch, Jr. et al.
			2018/0008806 A1	1/2018	Ressemann et al.

* cited by examiner

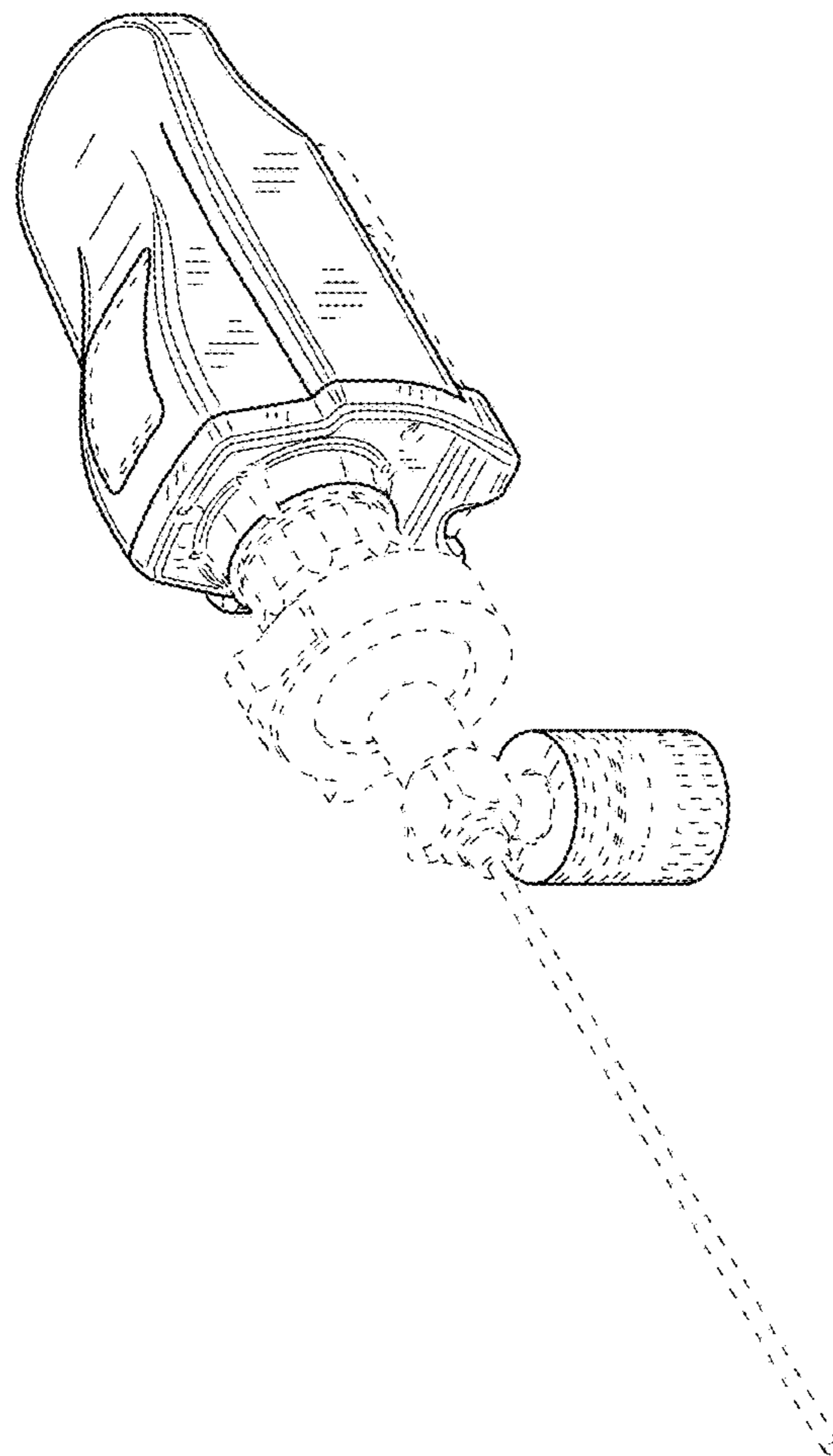


FIG.1

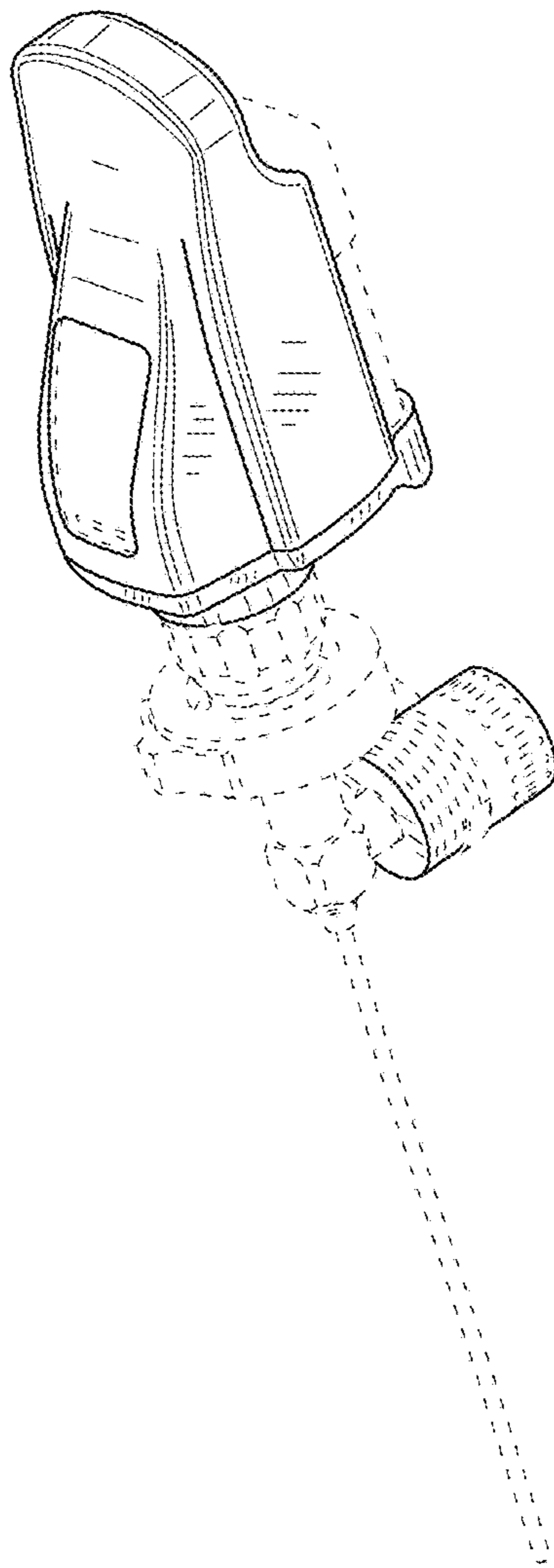


FIG.2

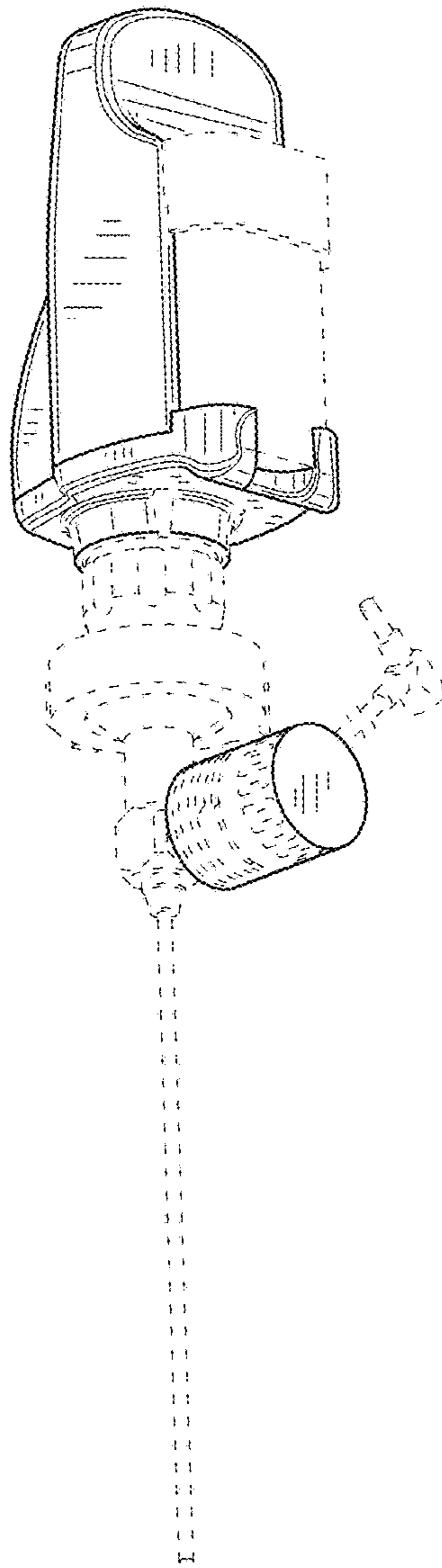


FIG.3

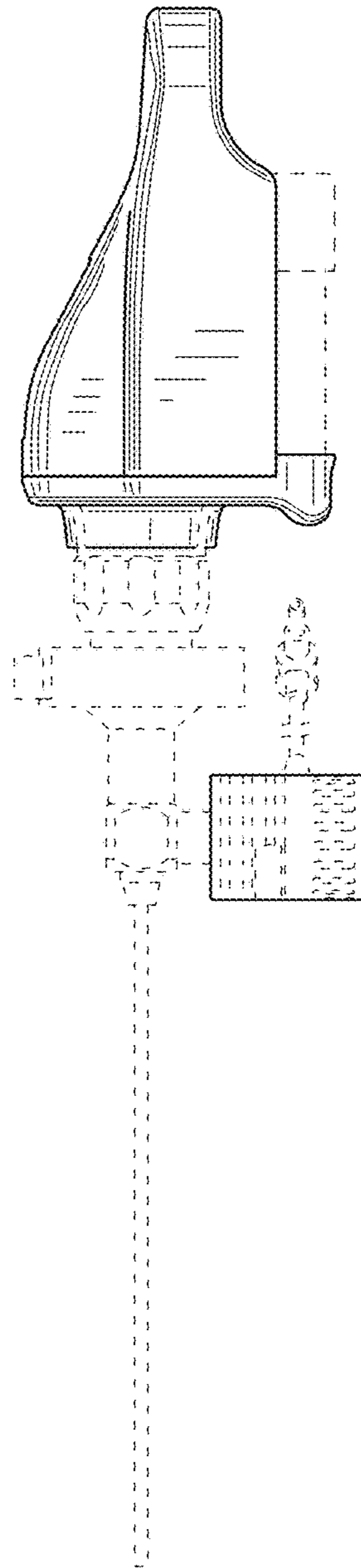


FIG.4

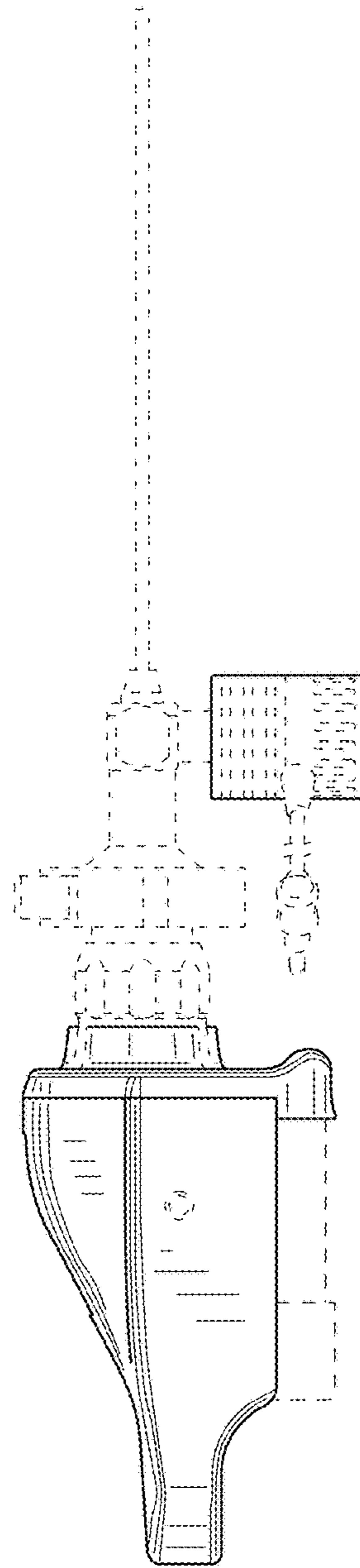


FIG.5

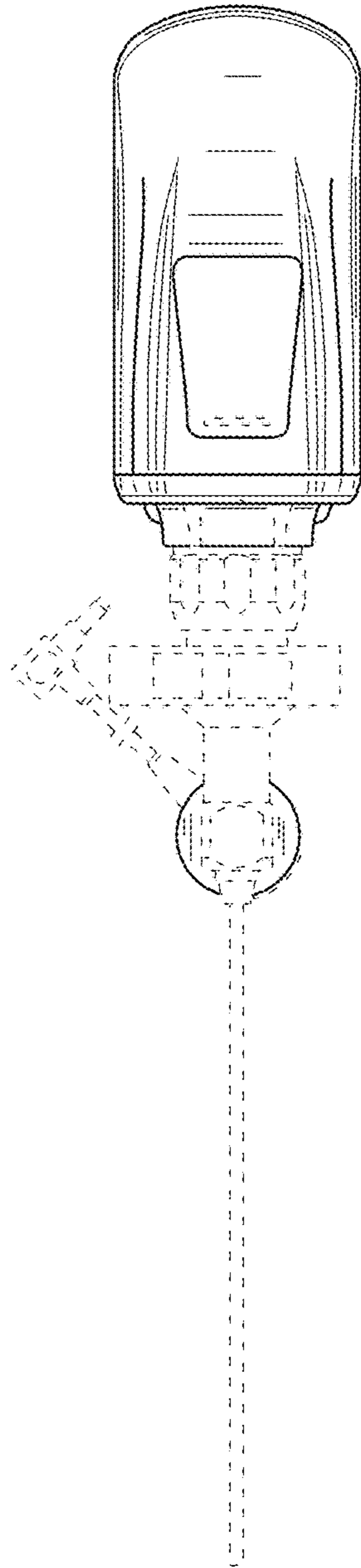


FIG.6

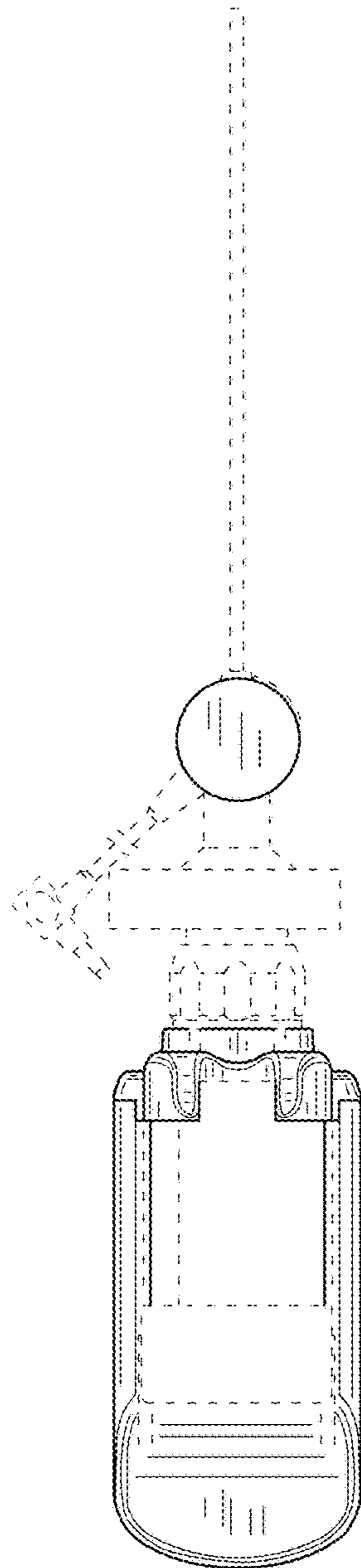


FIG.7

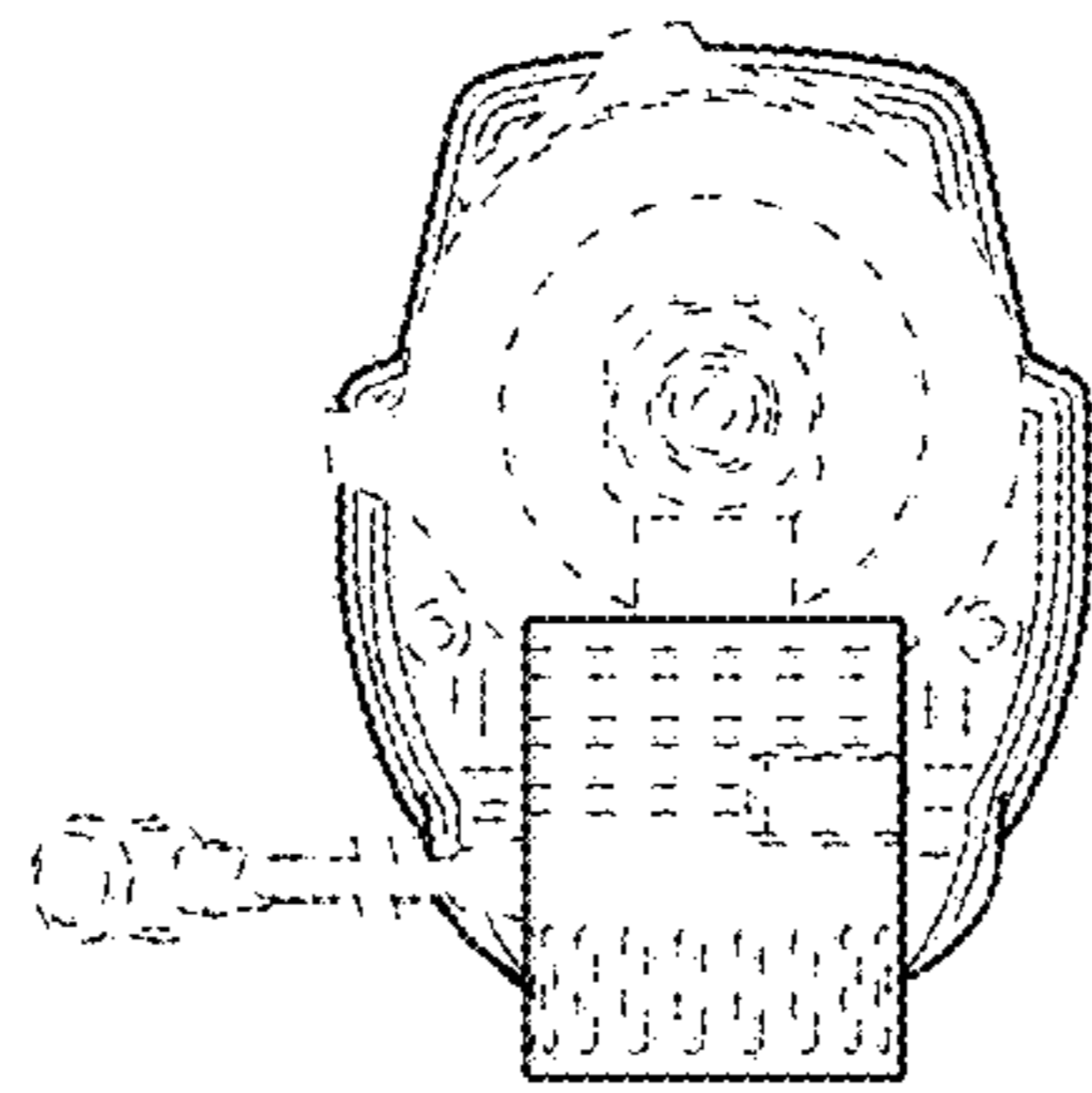


FIG. 8

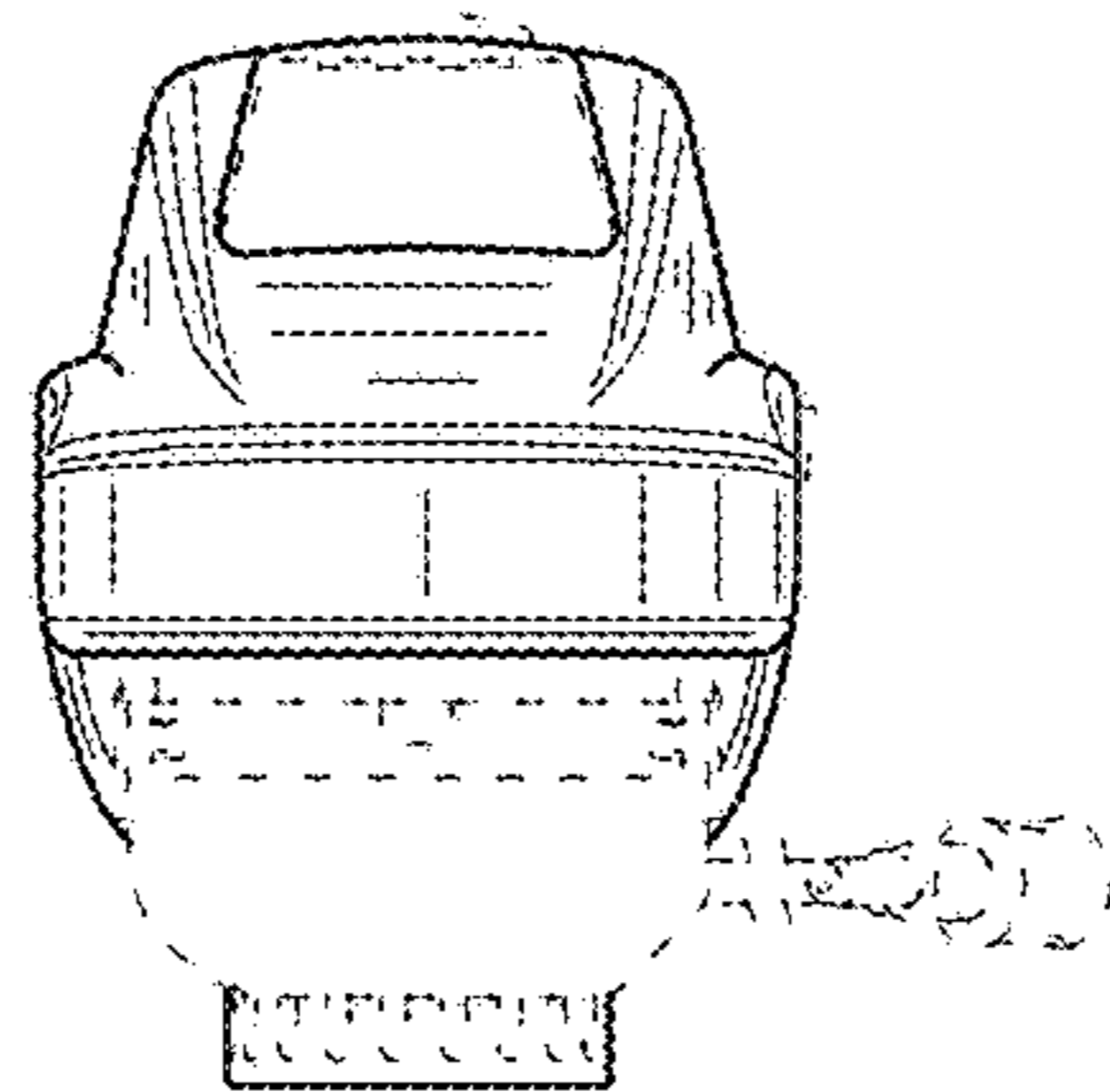


FIG. 9

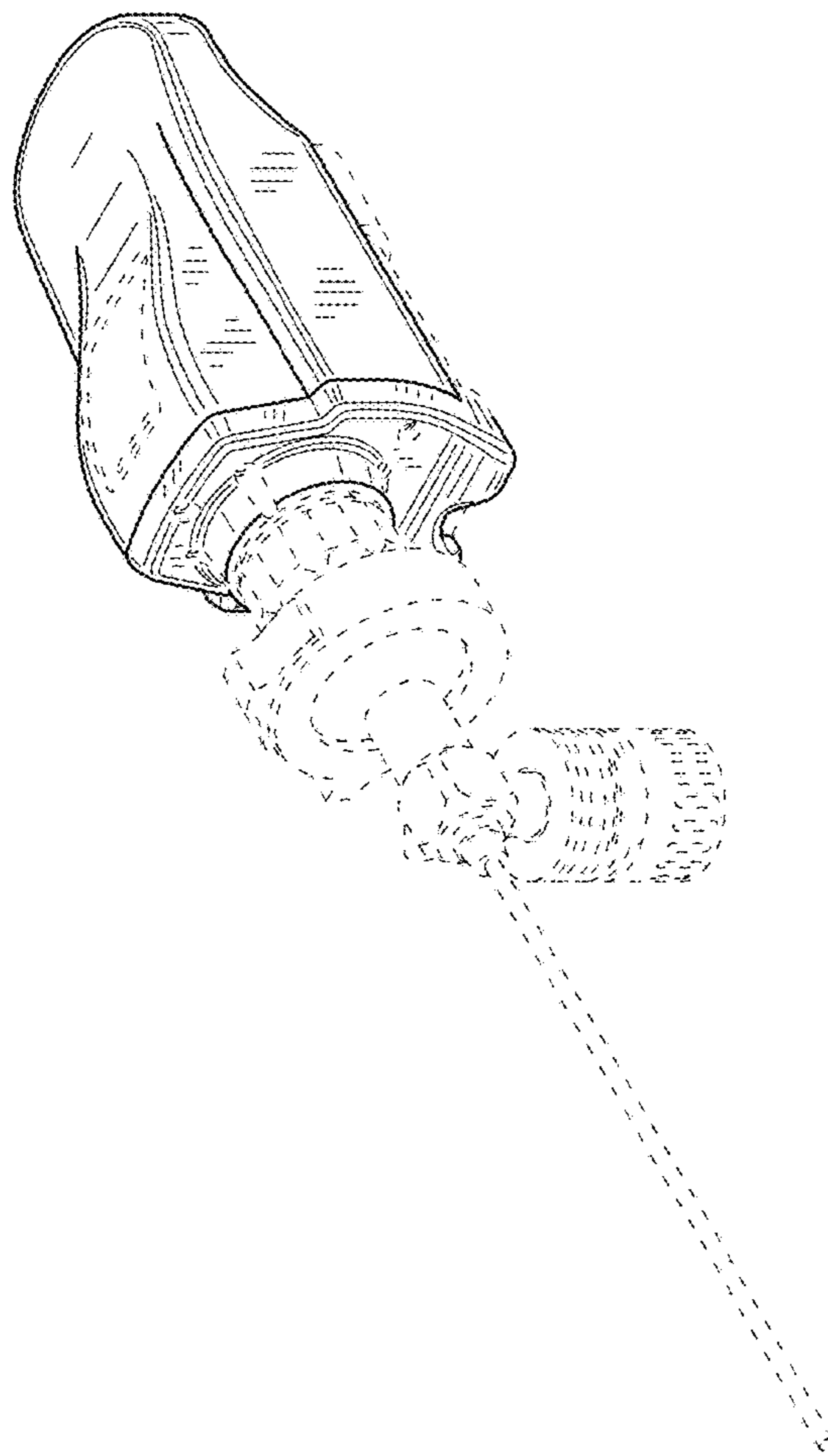


FIG.10

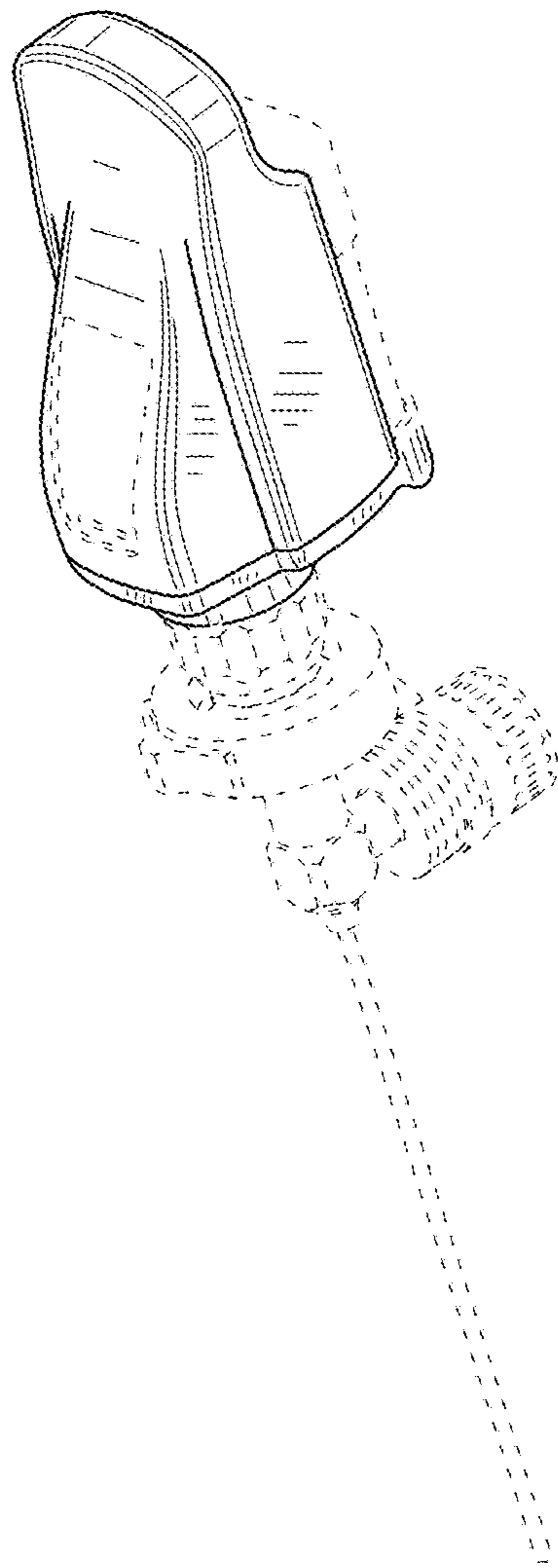


FIG.11

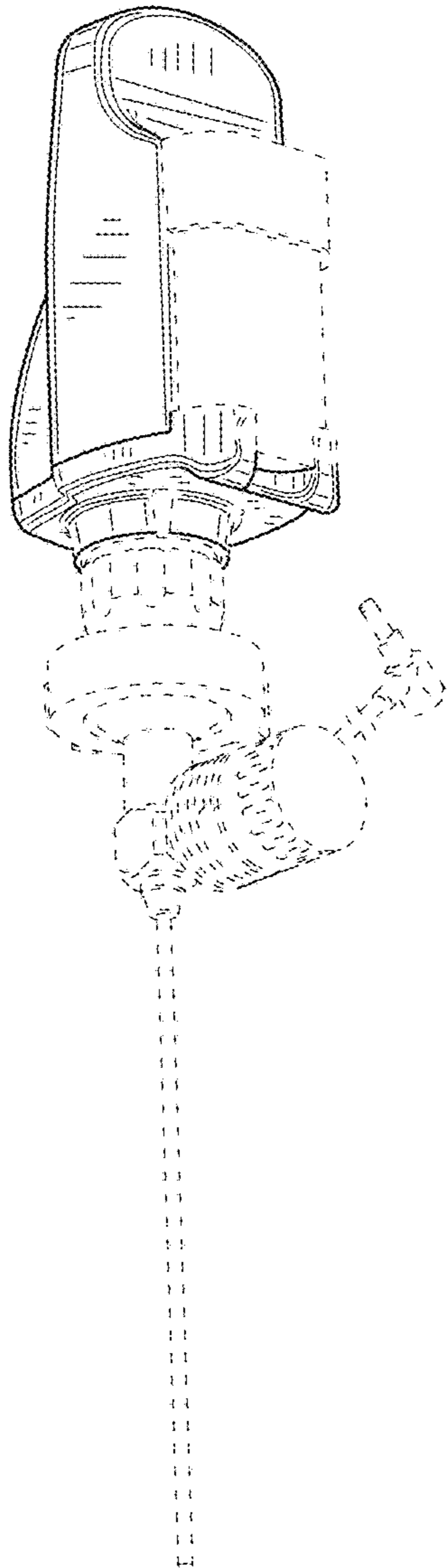


FIG.12

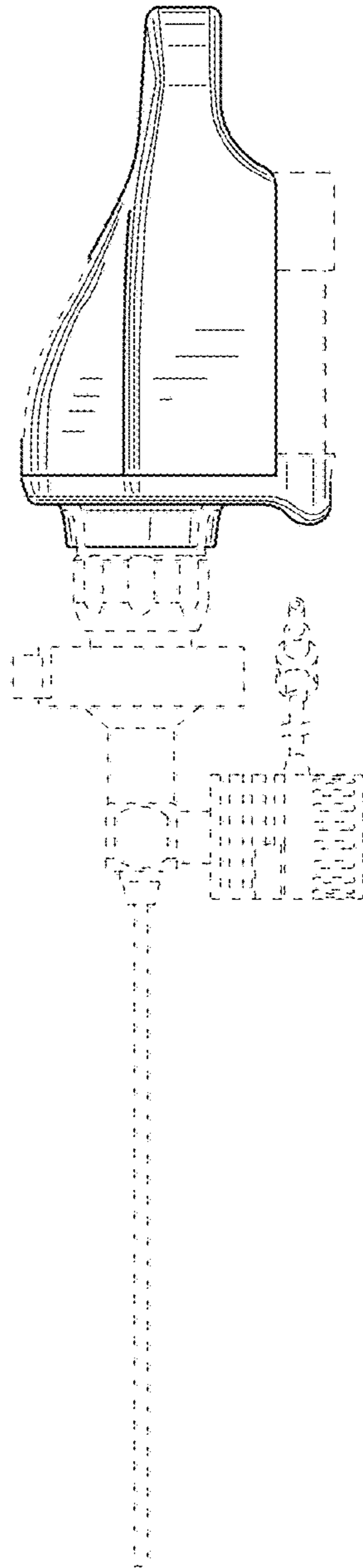


FIG.13

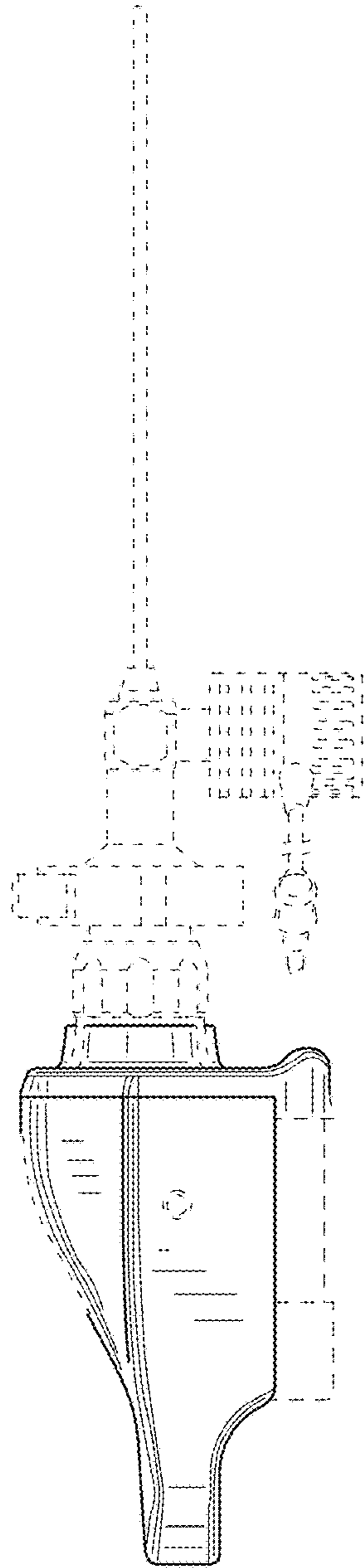


FIG.14

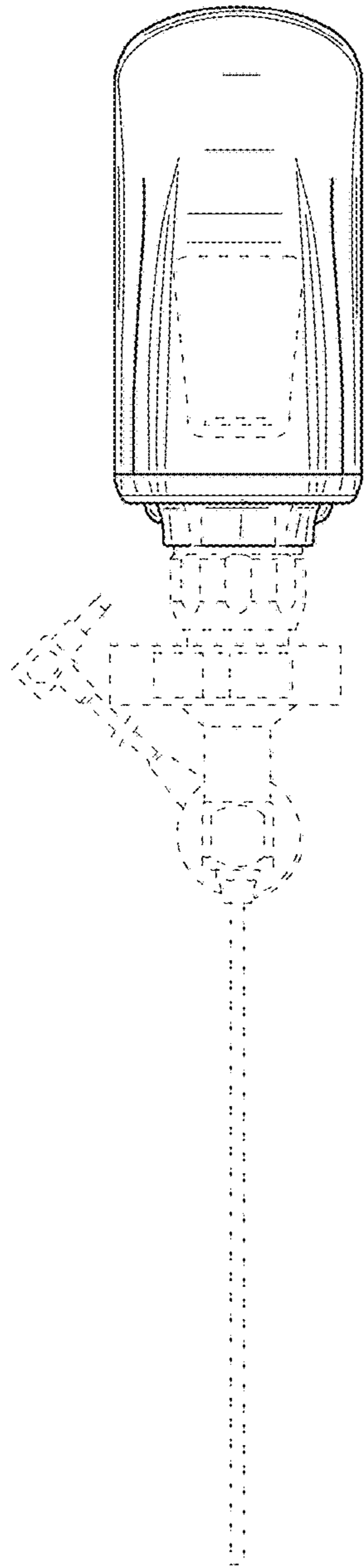


FIG.15

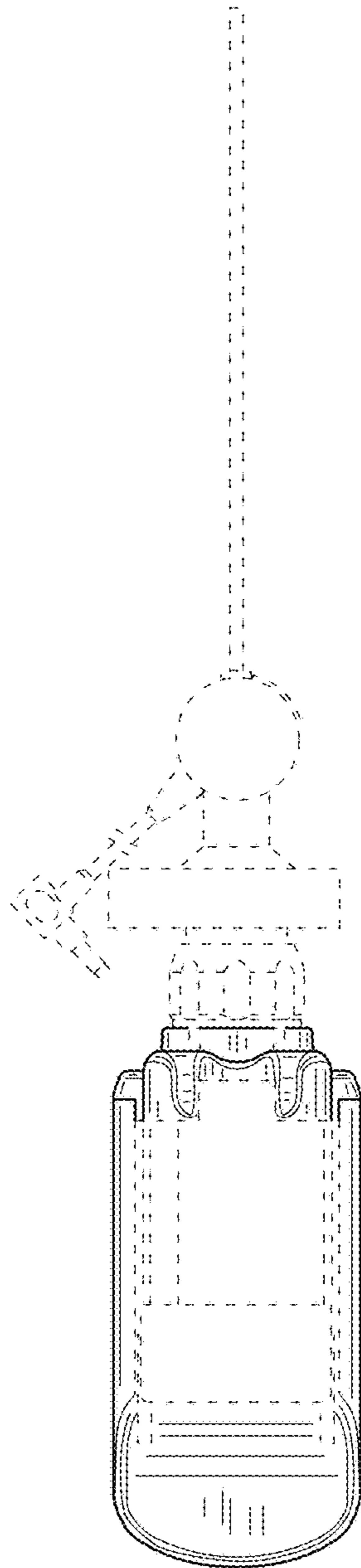


FIG.16

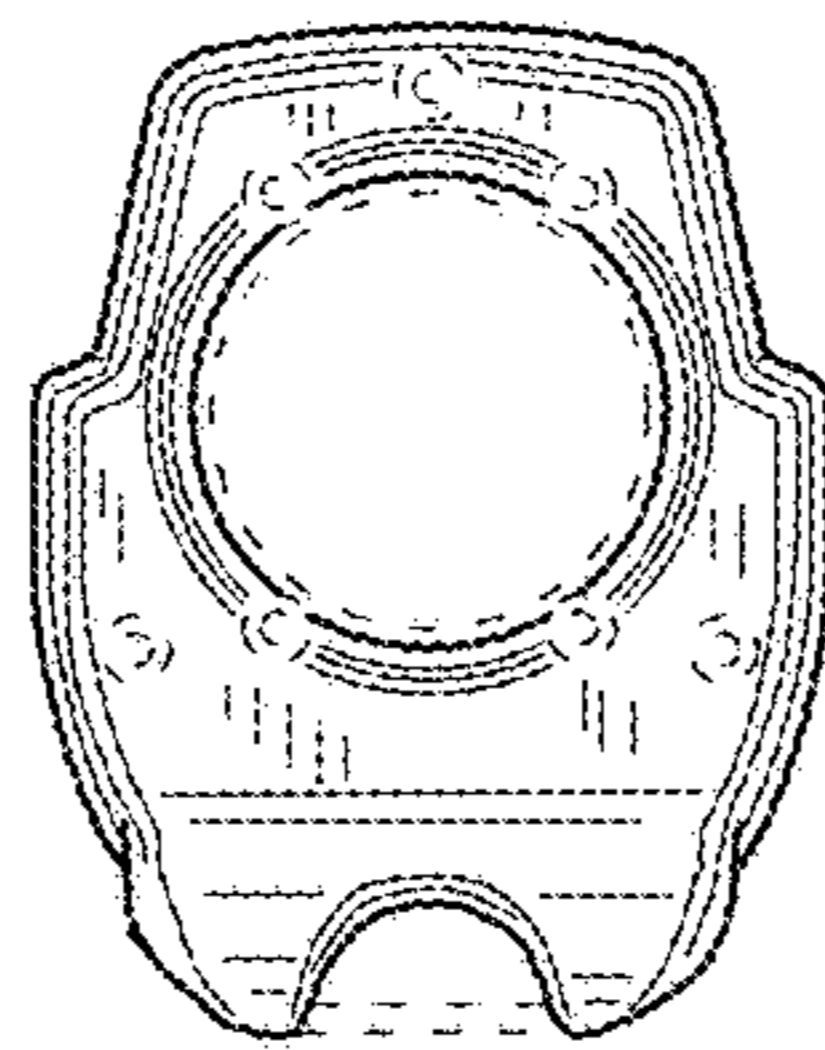


FIG.17

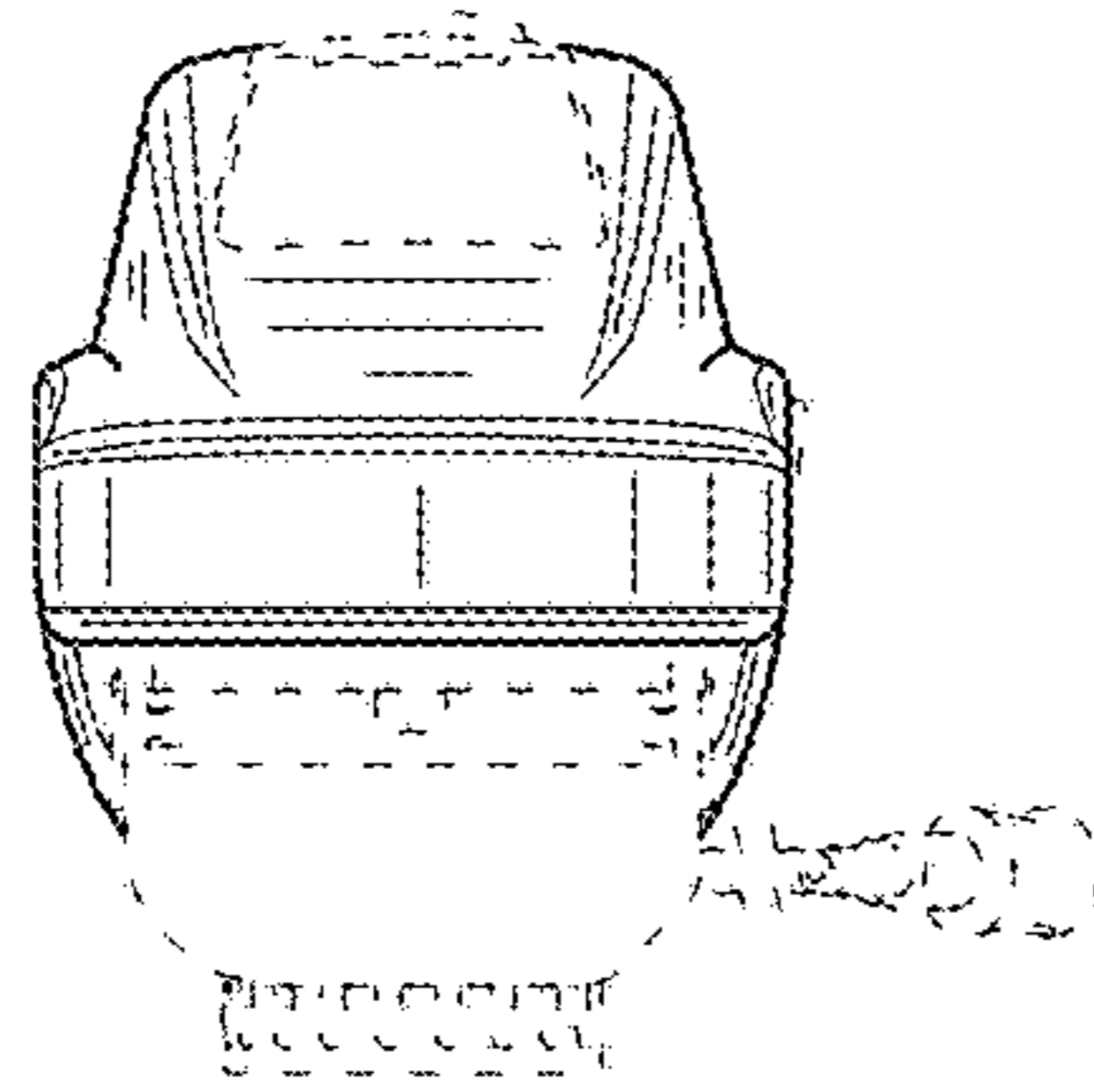


FIG.18