



US00D846115S

(12) **United States Design Patent** (10) **Patent No.:** **US D846,115 S**  
**Warn et al.** (45) **Date of Patent:** **\*\* Apr. 16, 2019**

- (54) **GAS PROBE HOLDER** 5,115,816 A \* 5/1992 Lee ..... A61M 5/1782  
600/562
- (71) Applicant: **DRAEGER MEDICAL SYSTEMS, INC.,** Andover, MA (US) 5,704,921 A \* 1/1998 Carilli ..... A61M 5/1782  
604/110
- (72) Inventors: **Russell Blair Warn,** Fresno, TX (US); **Larry Anthony Medina,** Tomball, TX (US); **David N. Woods,** Madison, WI (US); **Jason Henry,** Oak Creek, WI (US) 6,701,976 B1 \* 3/2004 Toraiishi ..... A61M 5/31535  
141/21
- (73) Assignee: **Draeger Medical Systems, Inc.,** Andover, MA (US) 7,866,314 B2 \* 1/2011 Isenberg ..... A61M 16/0488  
128/200.26

- D714,948 S \* 10/2014 Vaccarella ..... D24/186
- D793,550 S \* 8/2017 Defusco ..... D24/128
- D802,757 S \* 11/2017 Snyder ..... A61M 37/0069  
D24/128
- D817,485 S \* 5/2018 Gottschalk ..... D24/128
- D817,486 S \* 5/2018 Corato ..... D24/128
- D826,398 S \* 8/2018 Eaton ..... D24/128

(\*\*) Term: **15 Years**

\* cited by examiner

(21) Appl. No.: **29/641,512**

*Primary Examiner* — David G Muller

(22) Filed: **Mar. 22, 2018**

(74) *Attorney, Agent, or Firm* — Design IP

(51) **LOC (11) Cl.** ..... **24-02**

(57) **CLAIM**

(52) **U.S. Cl.**

The ornamental design for a gas probe holder, as shown and described.

USPC ..... **D24/128**

(58) **Field of Classification Search**

**DESCRIPTION**

USPC ..... D24/127–131, 112–114, 133, 186;  
606/181, 185; 604/264, 523–528, 272,  
604/187, 158, 164.01–164.11, 181, 184,  
604/227; 600/101, 139, 143;  
128/200.24, 207.14, 207.15

CPC ..... A61M 25/00; A61M 39/00; A61M 27/00;  
A61M 25/0043; A61M 25/0067; A61M  
25/0097; A61F 2/958

See application file for complete search history.

FIG. 1 is a front perspective view of a gas probe holder showing our new design;  
FIG. 2 is a front view thereof;  
FIG. 3 is a rear view thereof;  
FIG. 4 is a left side view thereof;  
FIG. 5 is a right side view thereof;  
FIG. 6 is a top view thereof;  
FIG. 7 is a bottom view thereof; and,  
FIG. 8 is a front perspective view thereof, shown with a hook and loop fastener strap.

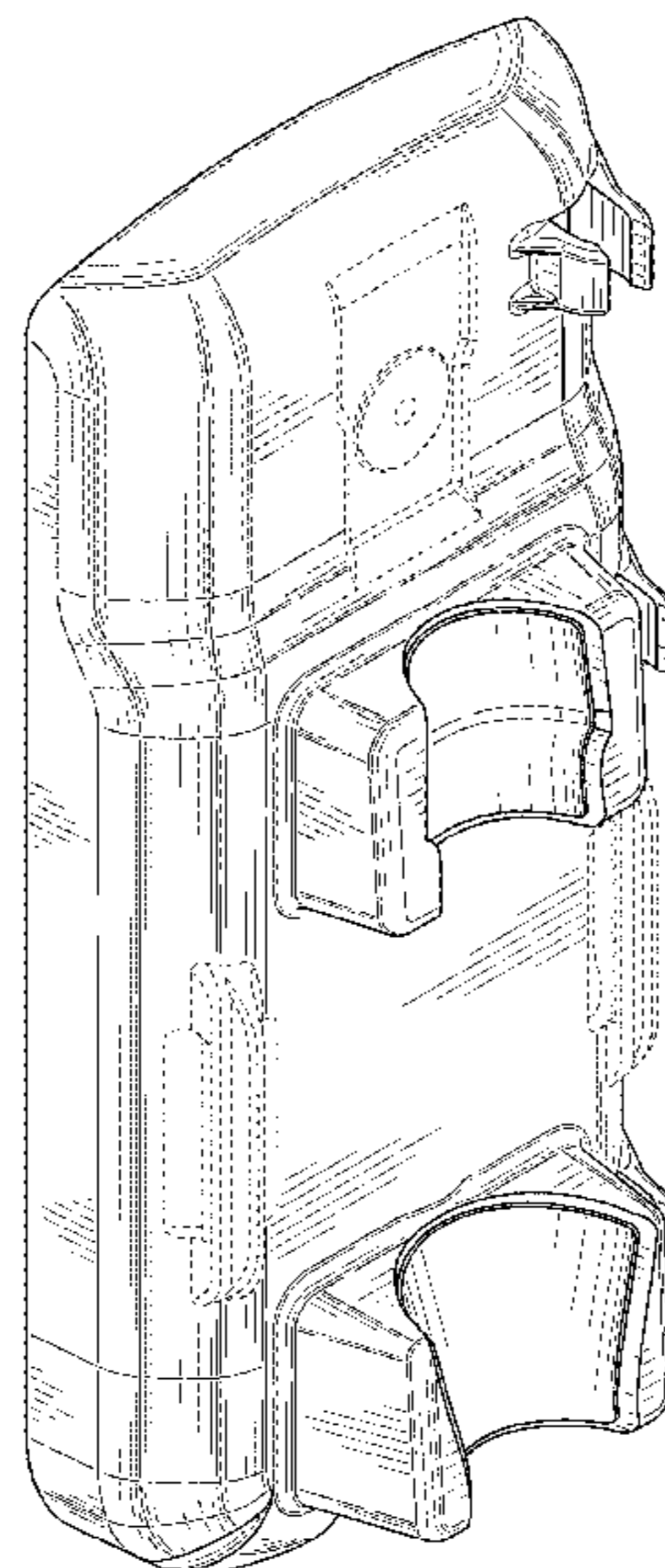
(56) **References Cited**

**U.S. PATENT DOCUMENTS**

- 4,594,073 A \* 6/1986 Stine ..... A61B 10/0283  
600/578
- 5,064,414 A \* 11/1991 Revane ..... A61M 25/0612  
24/543

The broken line showing of portions of a gas probe holder in FIGS. 1 through 8 is for the purpose of illustrating environmental structure and forms no part of the claimed design.

**1 Claim, 6 Drawing Sheets**



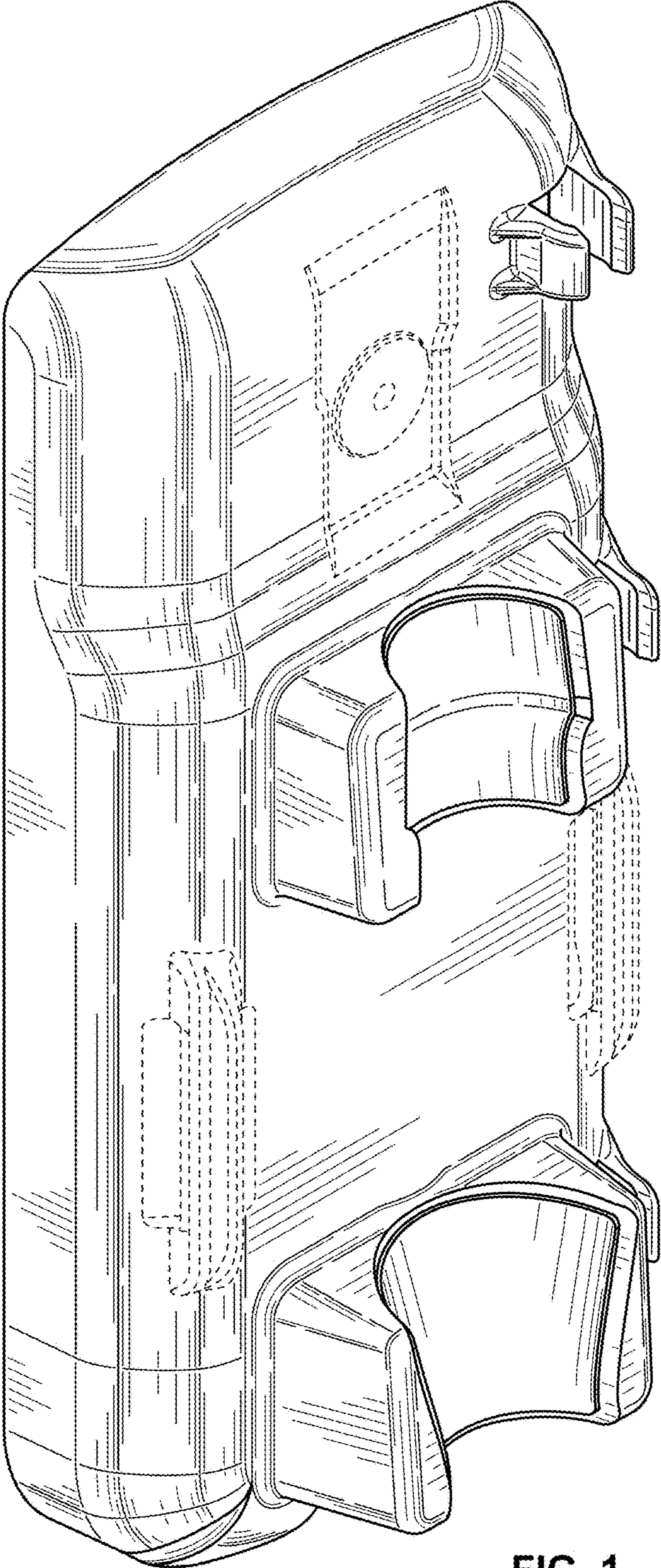


FIG. 1

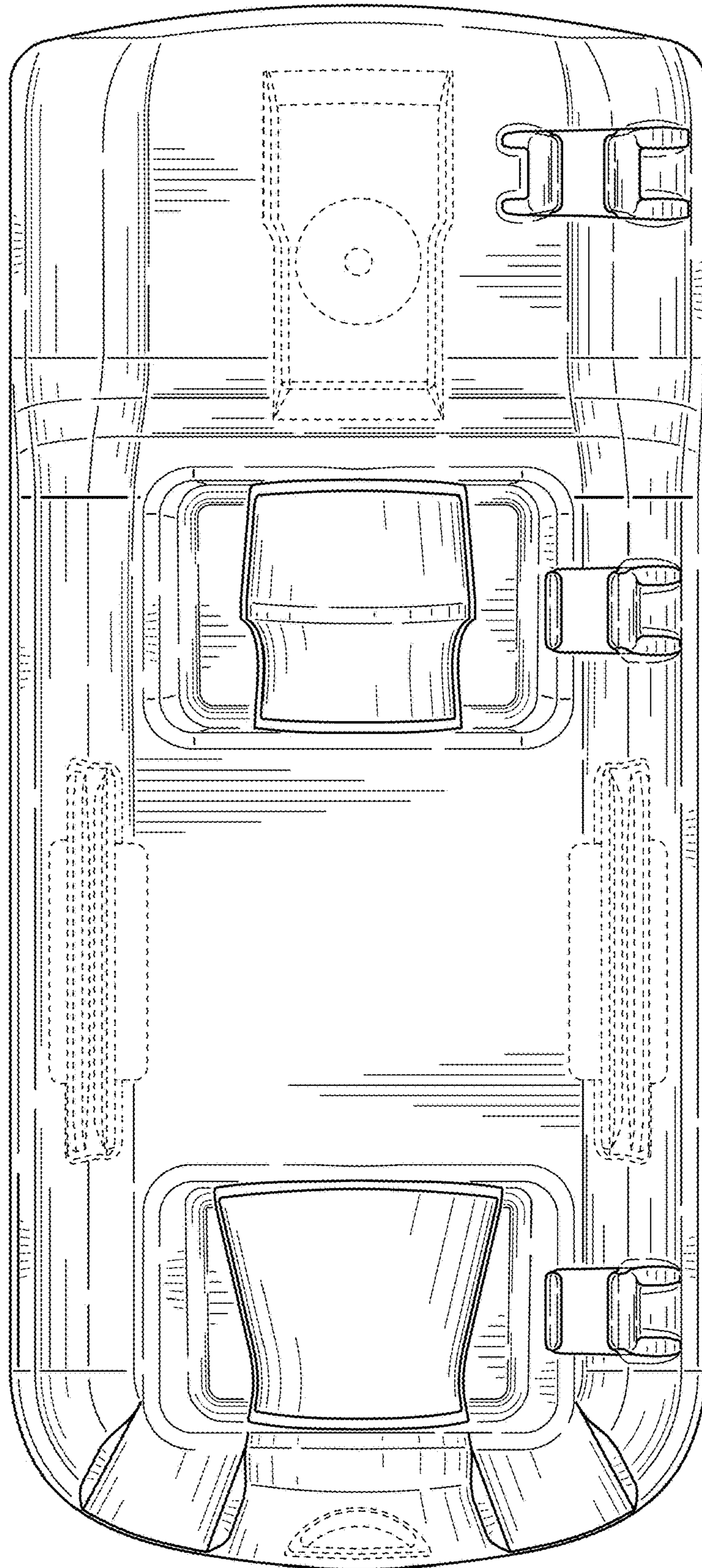


FIG. 2

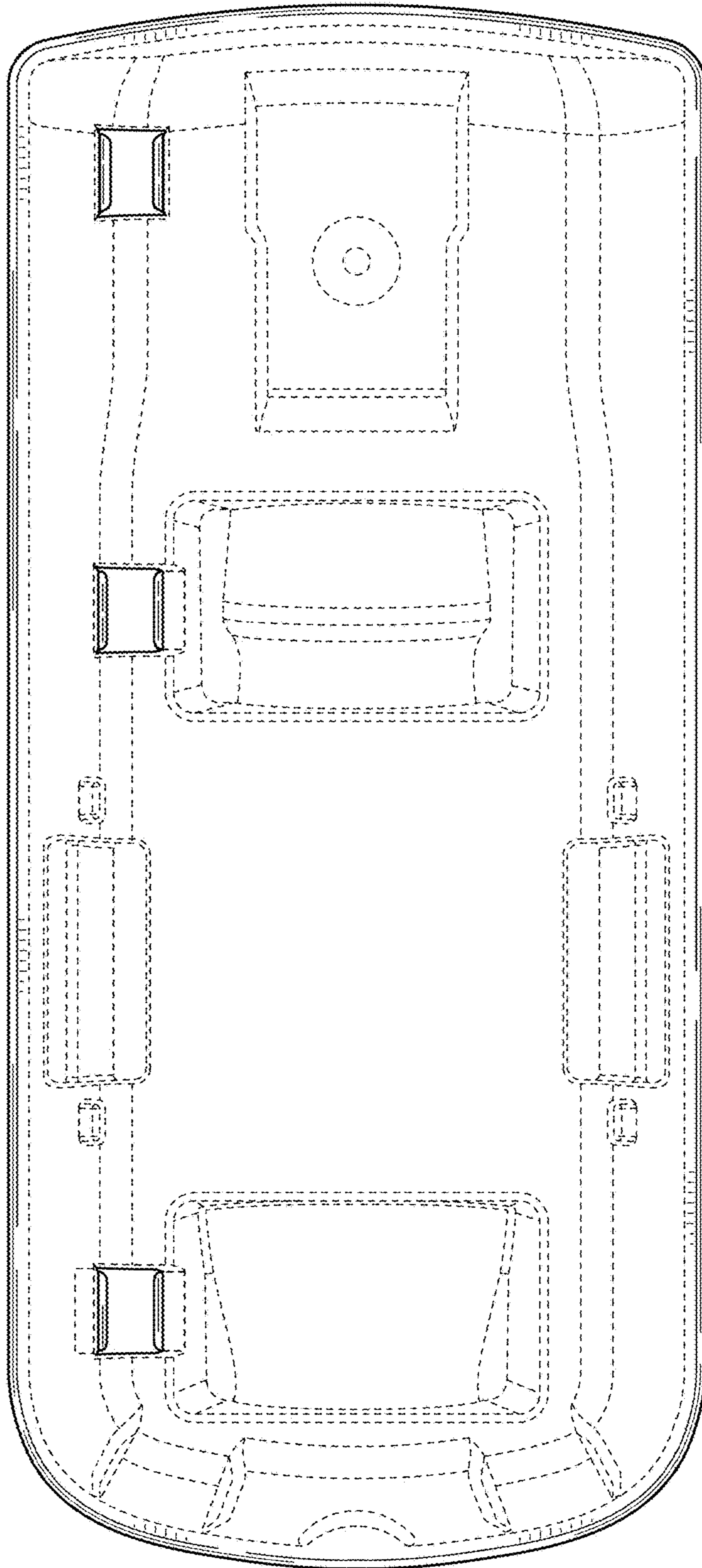


FIG. 3

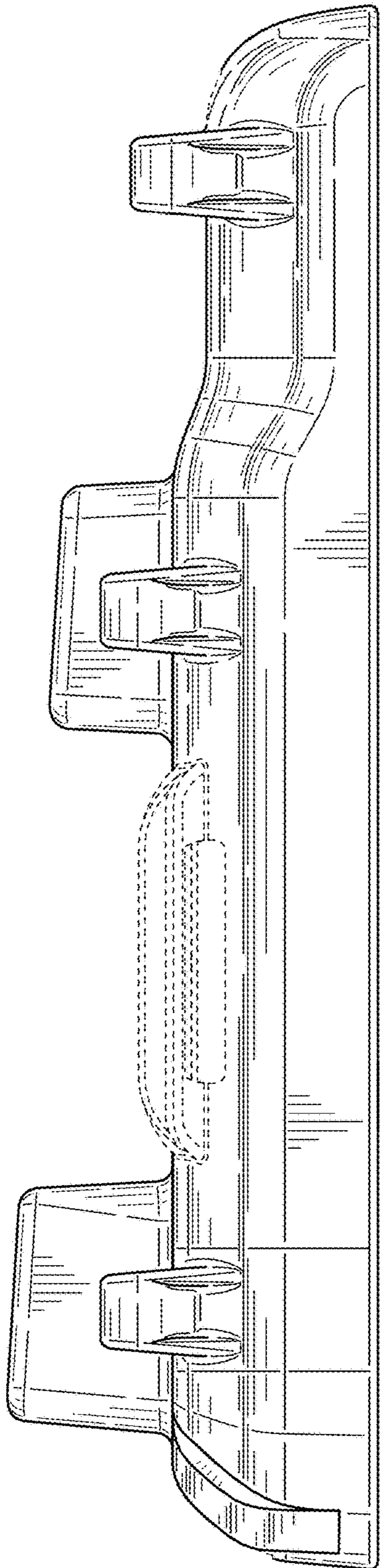


FIG. 5

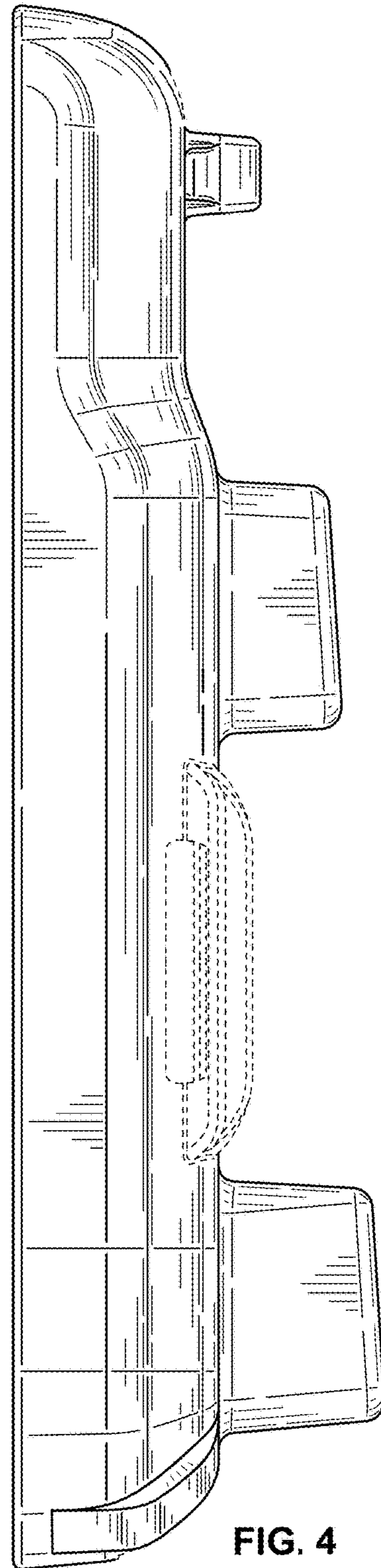


FIG. 4

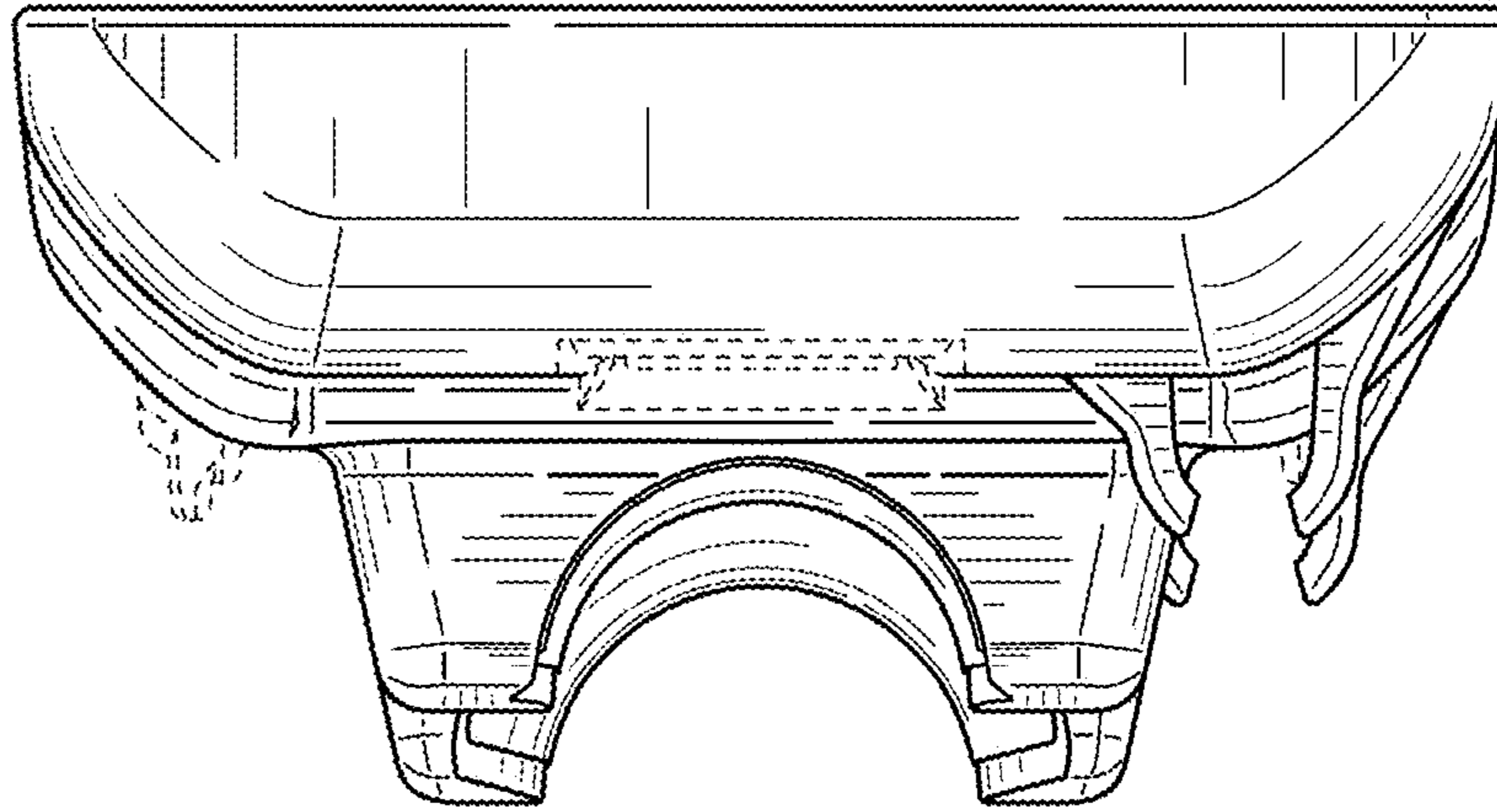


FIG. 6

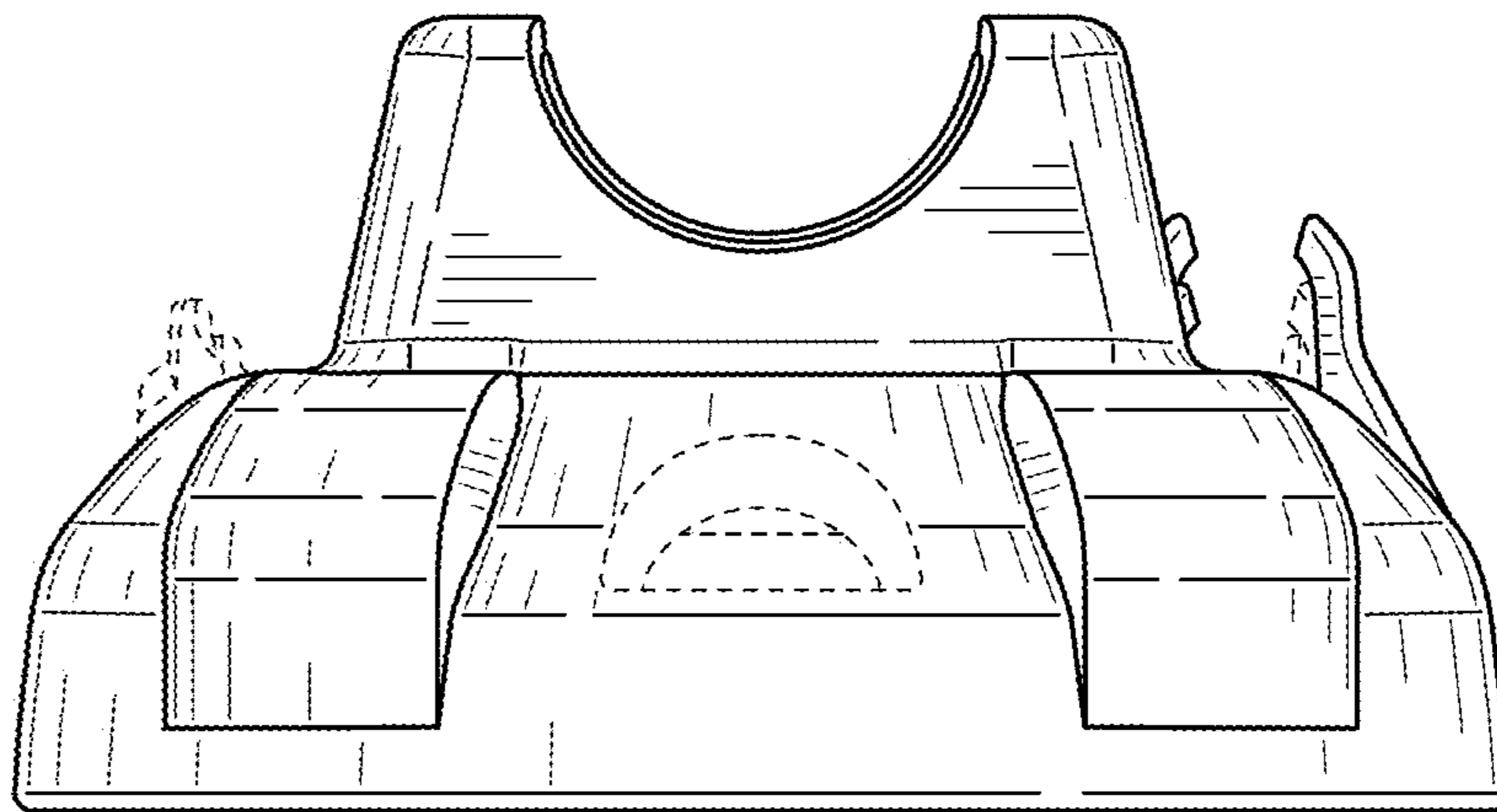


FIG. 7

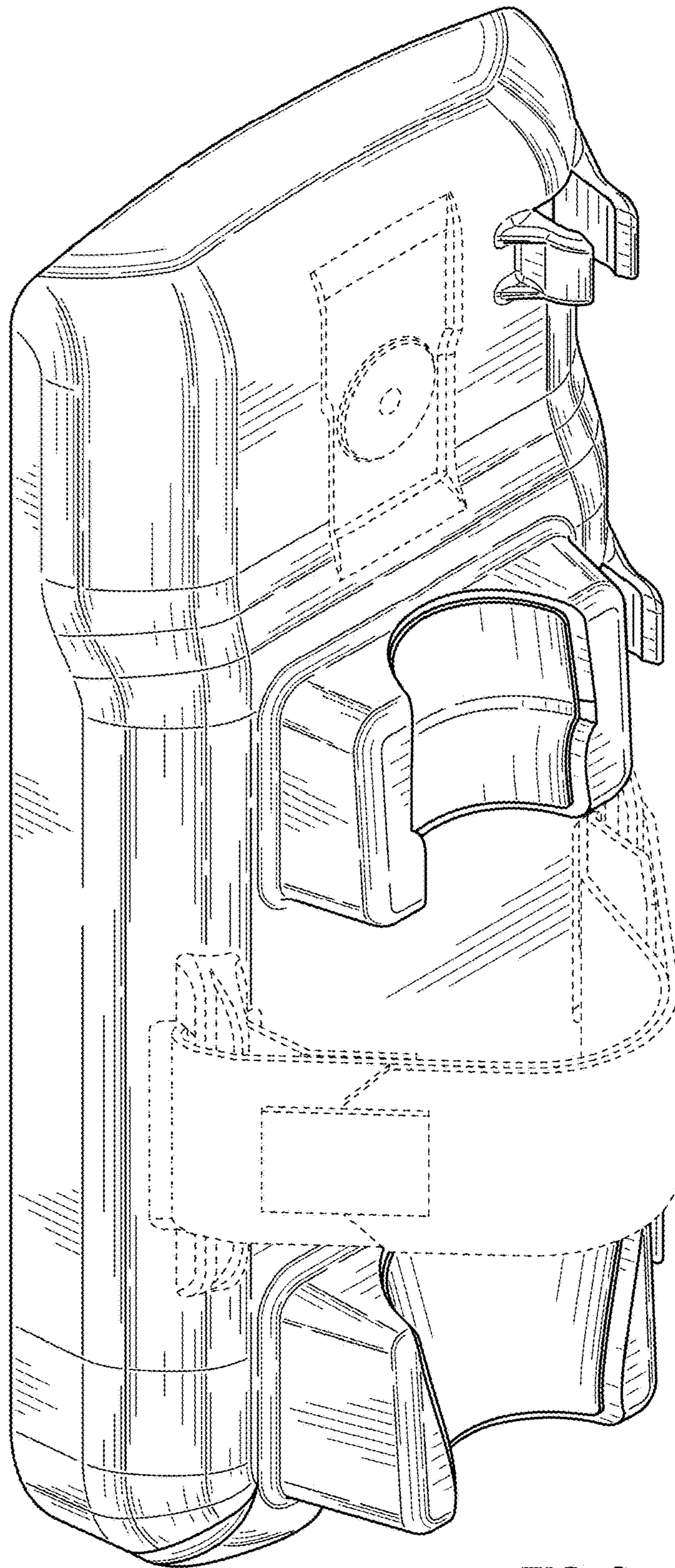


FIG. 8