



US00D846112S

(12) **United States Design Patent** (10) **Patent No.:** **US D846,112 S**  
**Muther et al.** (45) **Date of Patent:** **\*\* Apr. 16, 2019**

(54) **BREASTSHIELD CONNECTOR FOR A BREASTPUMP**

D783,803 S \* 4/2017 Rigert ..... D24/109  
D796,026 S \* 8/2017 Holtz ..... D24/109  
D799,024 S \* 10/2017 Gilbert ..... D24/109

(Continued)

(71) Applicant: **MEDELA HOLDING AG**, Baar (CH)

(72) Inventors: **Marcel Muther**, Ebikon (CH); **Etienne Furrer**, Hagendorn (CH); **André Schlienger**, Maschwanden (CH); **Jürg Feller**, Hirzel (CH)

FOREIGN PATENT DOCUMENTS

AU Des. 364937 10/2015  
CA Des. 163717 3/2016

(Continued)

(73) Assignee: **MEDELA HOLDING AG**, Baar (CH)

*Primary Examiner* — Lilyana Bekic  
*Assistant Examiner* — Aula Soroush

(\*\*) Term: **15 Years**

(74) *Attorney, Agent, or Firm* — Marshall, Gerstein & Borun LLP

(21) Appl. No.: **29/584,511**

(57) **CLAIM**

(22) Filed: **Nov. 15, 2016**

The ornamental design for a breastshield connector for a breastpump, as shown and described.

(30) **Foreign Application Priority Data**

**DESCRIPTION**

May 26, 2016 (WO) ..... WO967601301

(51) **LOC (11) Cl.** ..... **24-02**

(52) **U.S. Cl.**  
USPC ..... **D24/109**

(58) **Field of Classification Search**  
USPC ..... D24/108, 109, 127; D9/500, 549;  
604/74–76

CPC ..... A61M 1/062; A61M 1/06; A61M 1/066;  
A61M 1/064; A61J 9/00; A61J 9/001

See application file for complete search history.

FIG. 1 is a front perspective view of a breastshield connector for a breastpump of the present invention; FIG. 2 is a right side view of the invention illustrated in FIG. 1; FIG. 3 is a left side view of the invention illustrated in FIG. 1; FIG. 4 is a front view of the invention illustrated in FIG. 1; FIG. 5 is a rear view of the invention illustrated in FIG. 1; FIG. 6 is a top view of the invention illustrated in FIG. 1; FIG. 7 is a bottom view of the invention illustrated in FIG. 1; and,

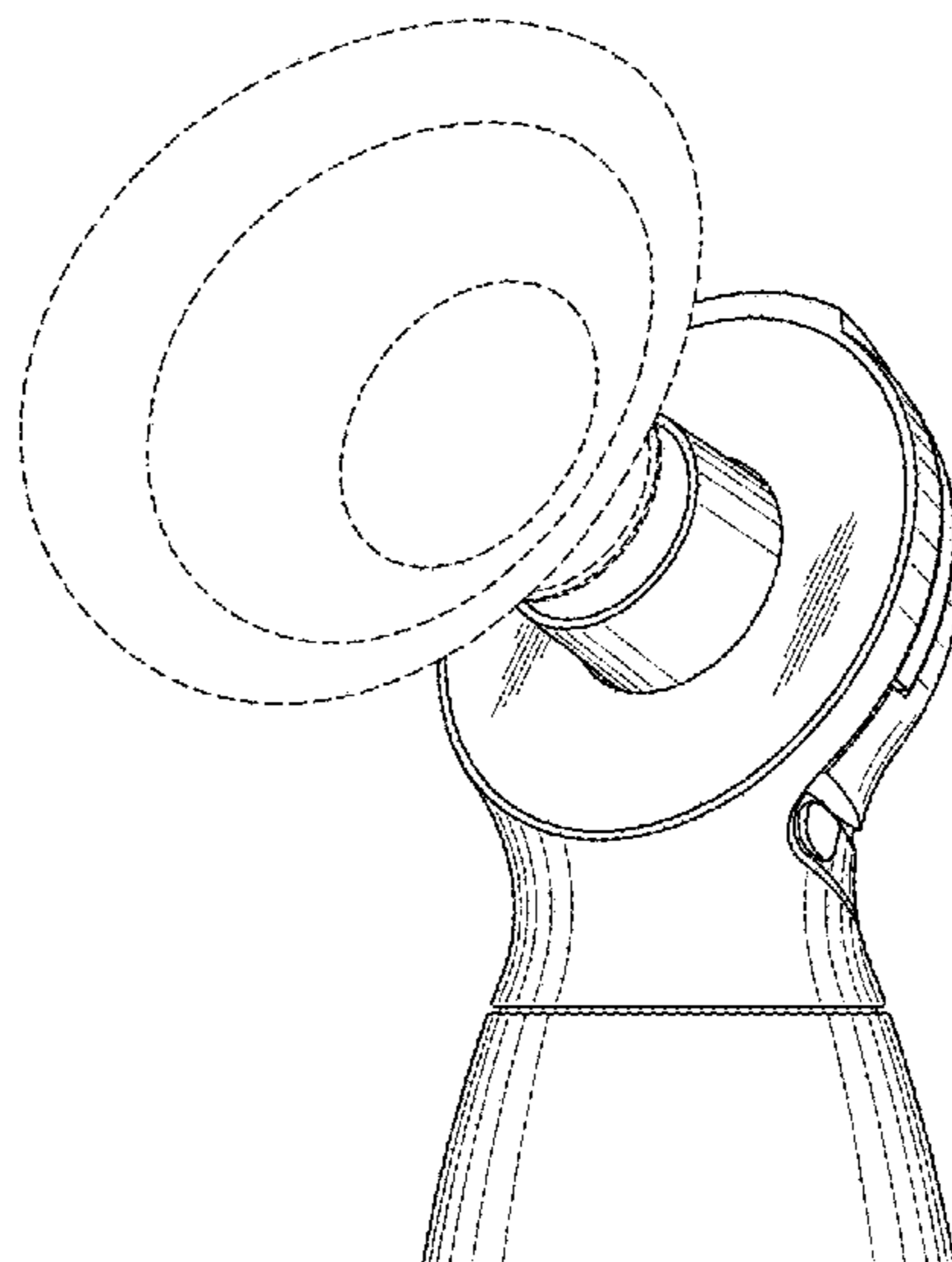
(56) **References Cited**

FIG. 8 is a perspective view of the breastshield connector for a breastpump illustrated in FIG. 1, attached to a breastshield. The broken line showing the breastshield in FIG. 8 illustrates environment and forms no part of the claimed design. All other broken lines in the drawings illustrate portions of the breastshield connector for a breastpump that form no part of the claimed design.

U.S. PATENT DOCUMENTS

D484,236 S \* 12/2003 Renz ..... D24/109  
D485,614 S \* 1/2004 Renz ..... D24/109  
D486,223 S \* 2/2004 Robson ..... D24/109  
6,706,012 B2 3/2004 McKendry et al.  
8,187,227 B2 5/2012 Luzbetak et al.  
D776,803 S \* 1/2017 Gilbert ..... D24/109

**1 Claim, 8 Drawing Sheets**



(56)

**References Cited**

U.S. PATENT DOCUMENTS

2003/0149398 A1\* 8/2003 Renz ..... A45C 3/06  
604/74  
2008/0171970 A1\* 7/2008 Luzbetak ..... A61M 1/0049  
604/74  
2012/0071820 A1 3/2012 Luzbetak et al.

FOREIGN PATENT DOCUMENTS

IN 274604-001 \* 8/2015  
JP D1554548 \* 8/2015  
JP Des. 1554548 6/2016

\* cited by examiner

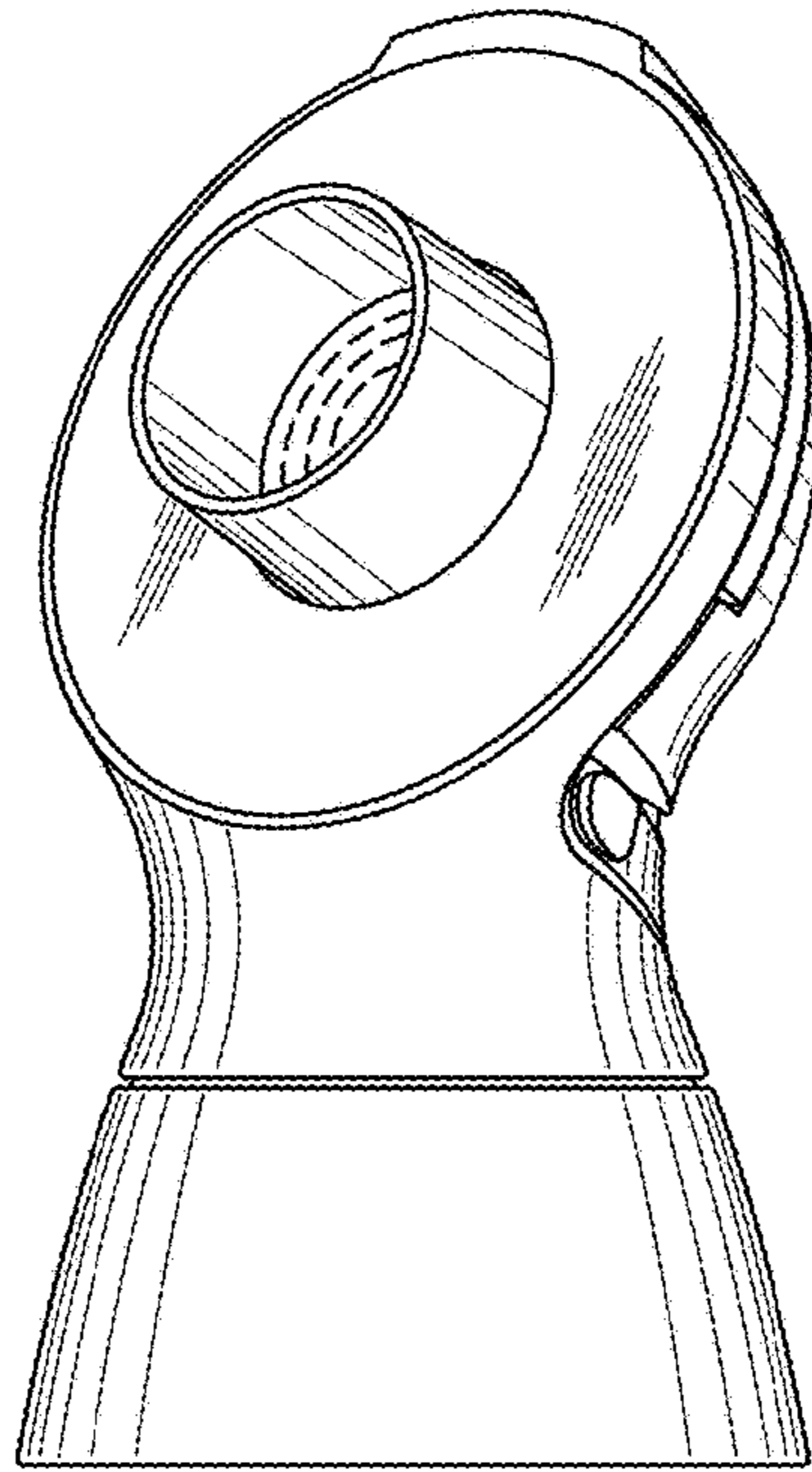


FIG. 1

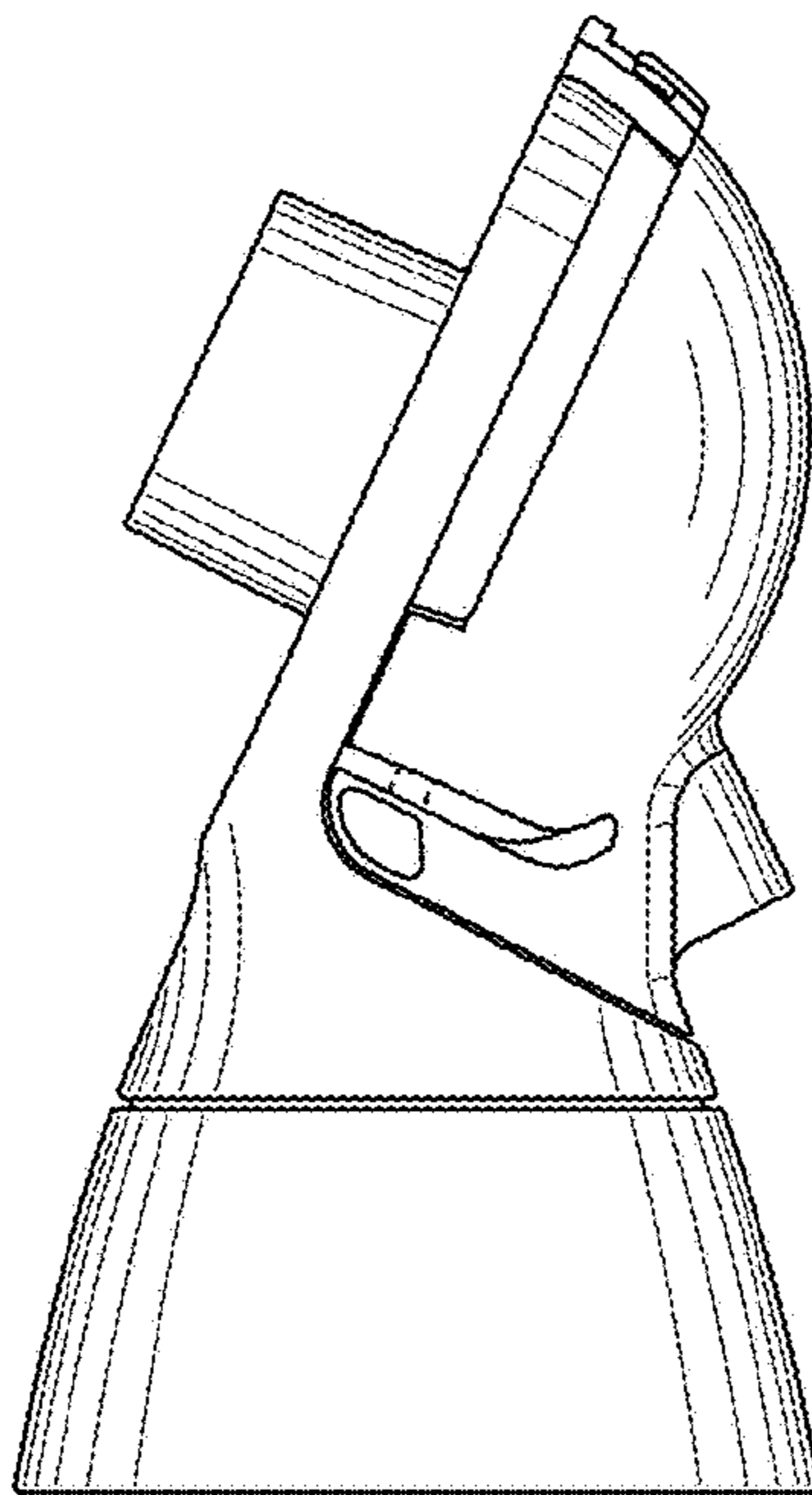


FIG. 2

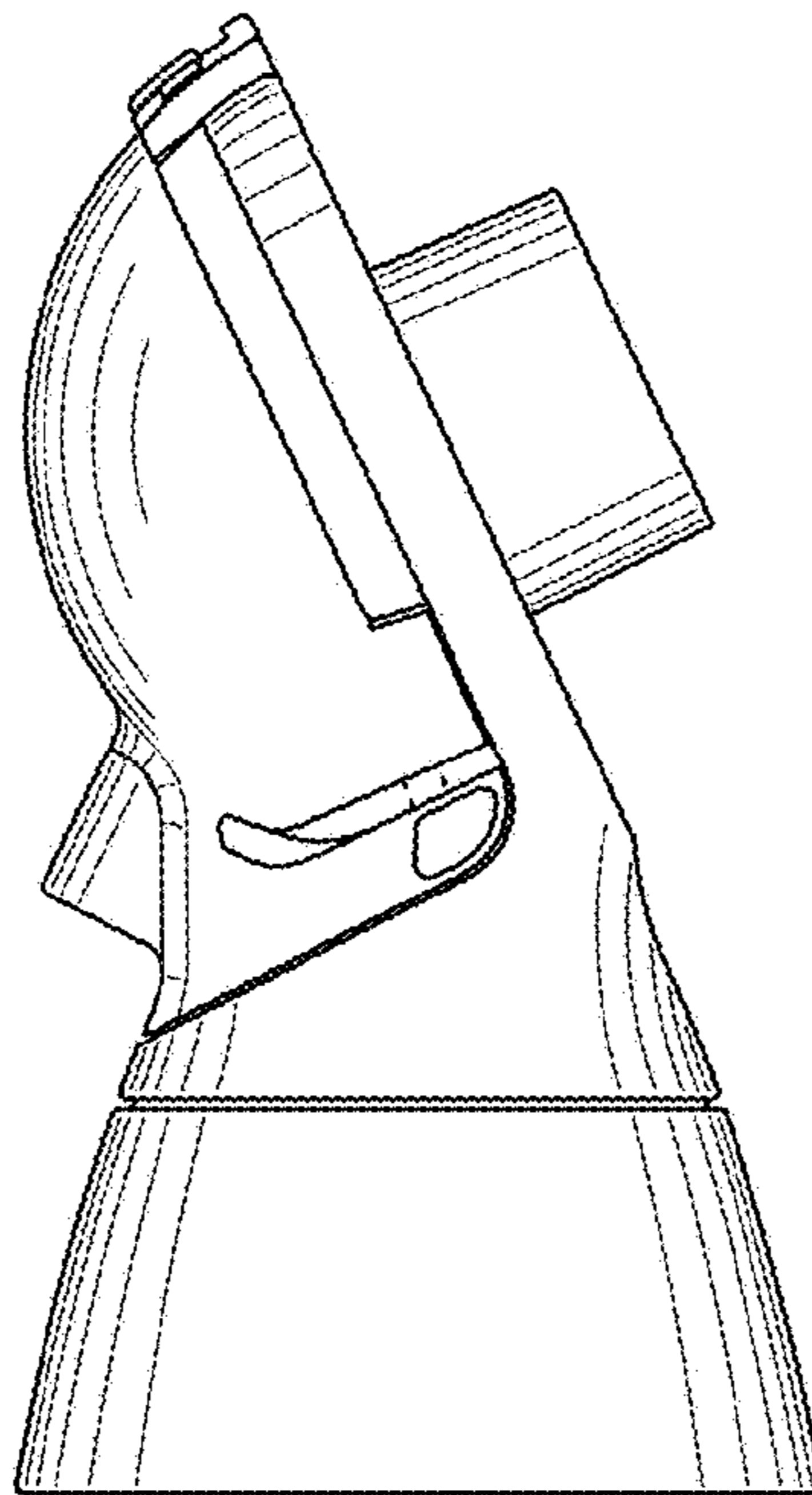


FIG. 3

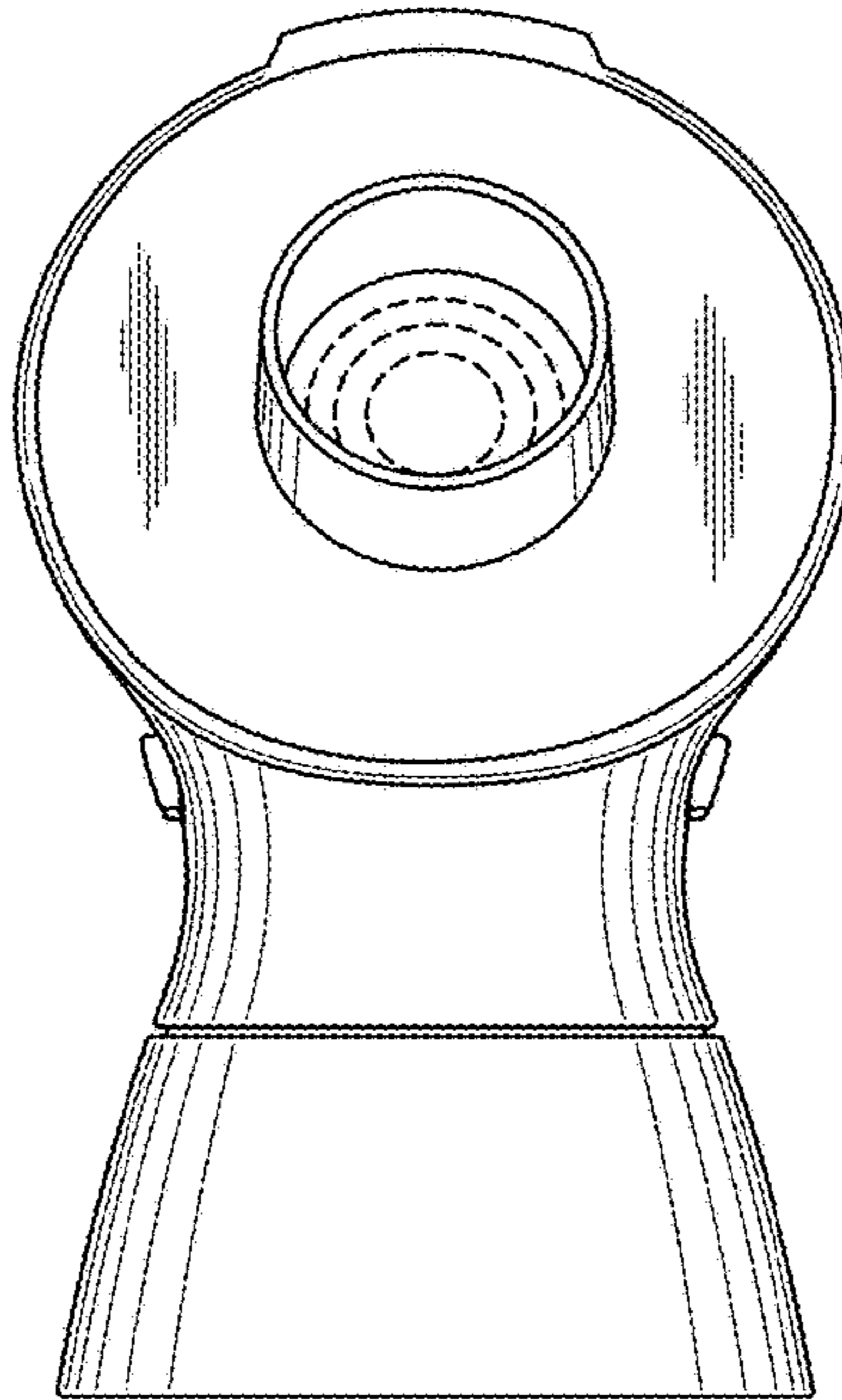


FIG. 4

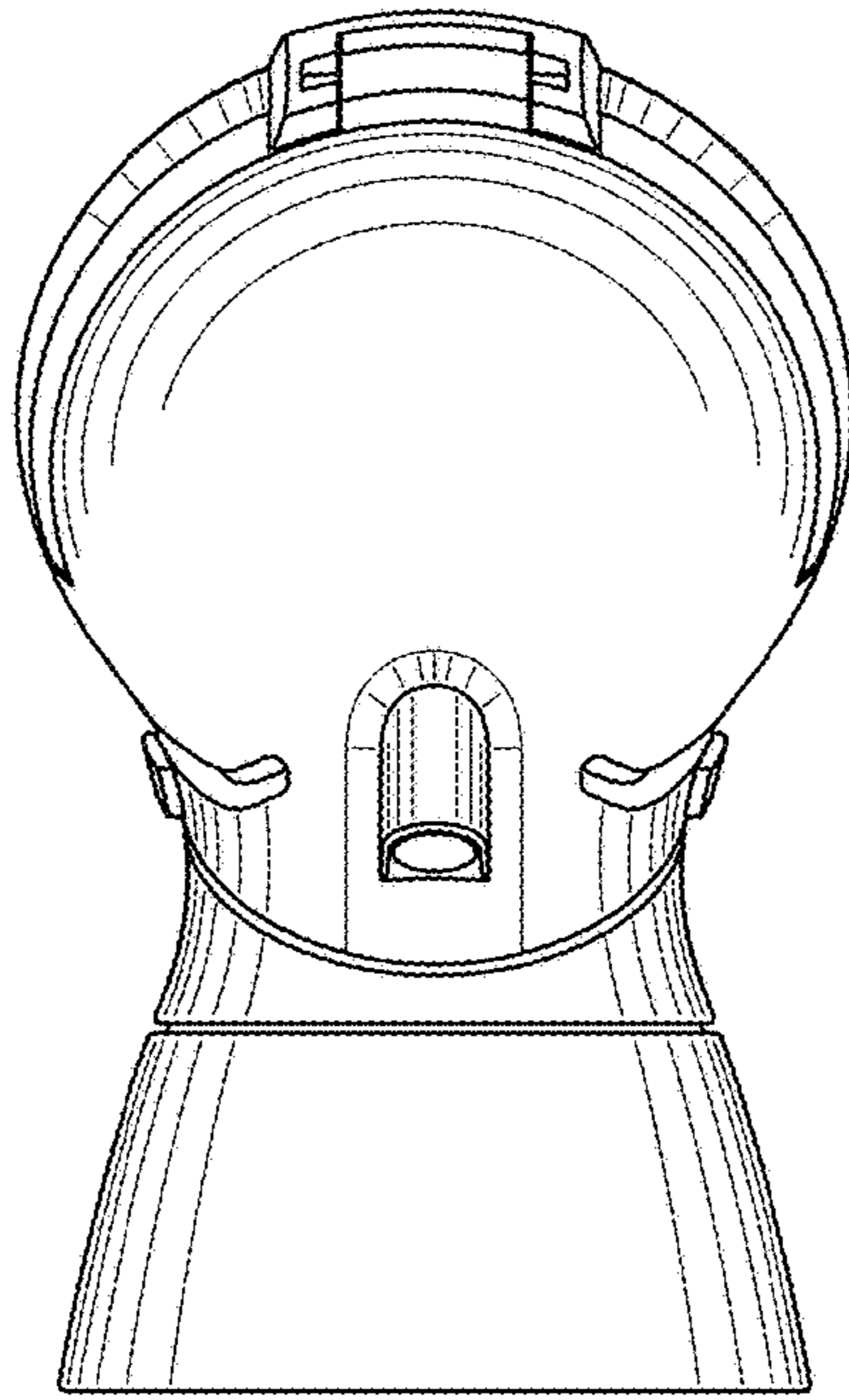


FIG. 5

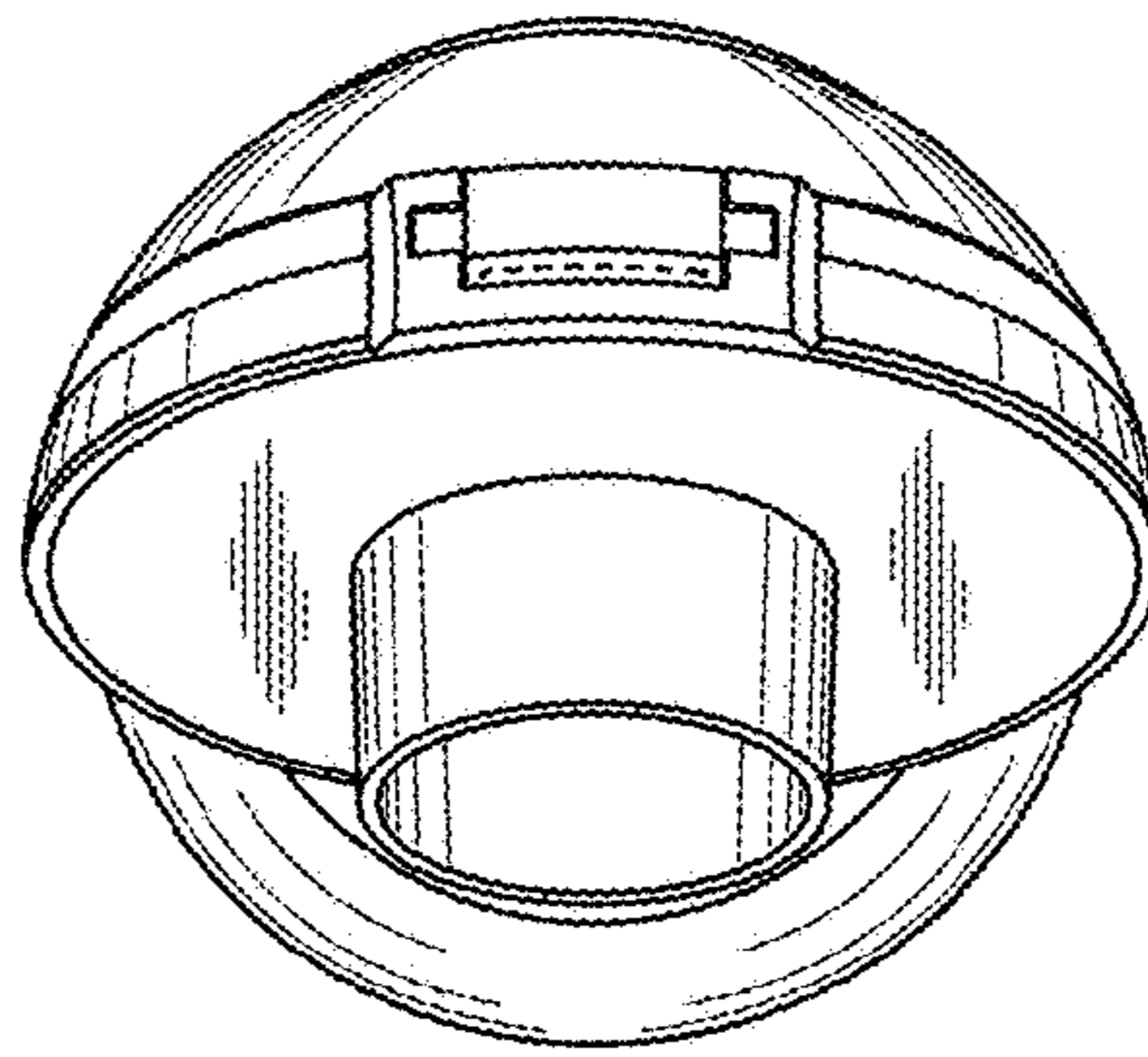


FIG. 6



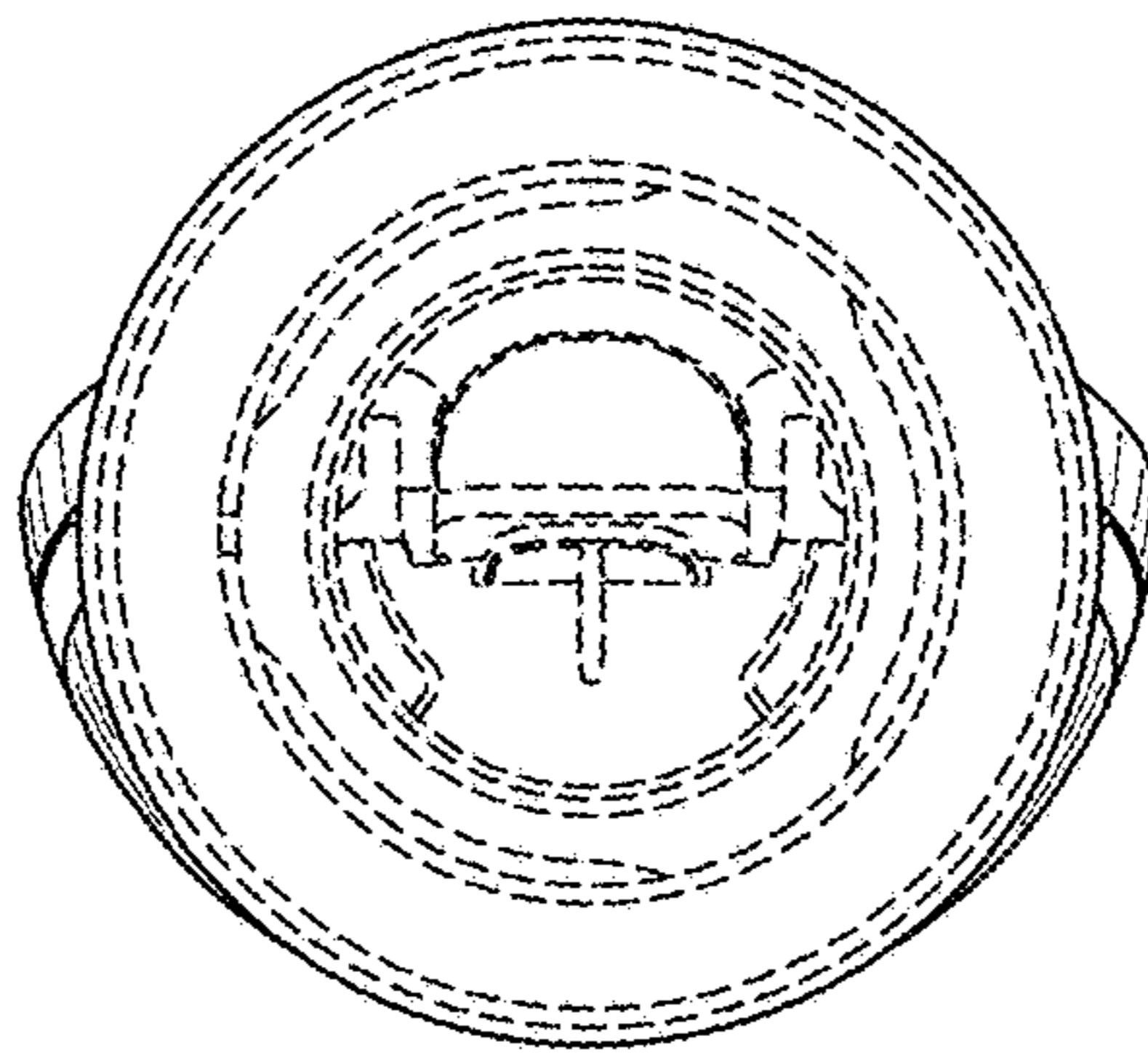


FIG. 7

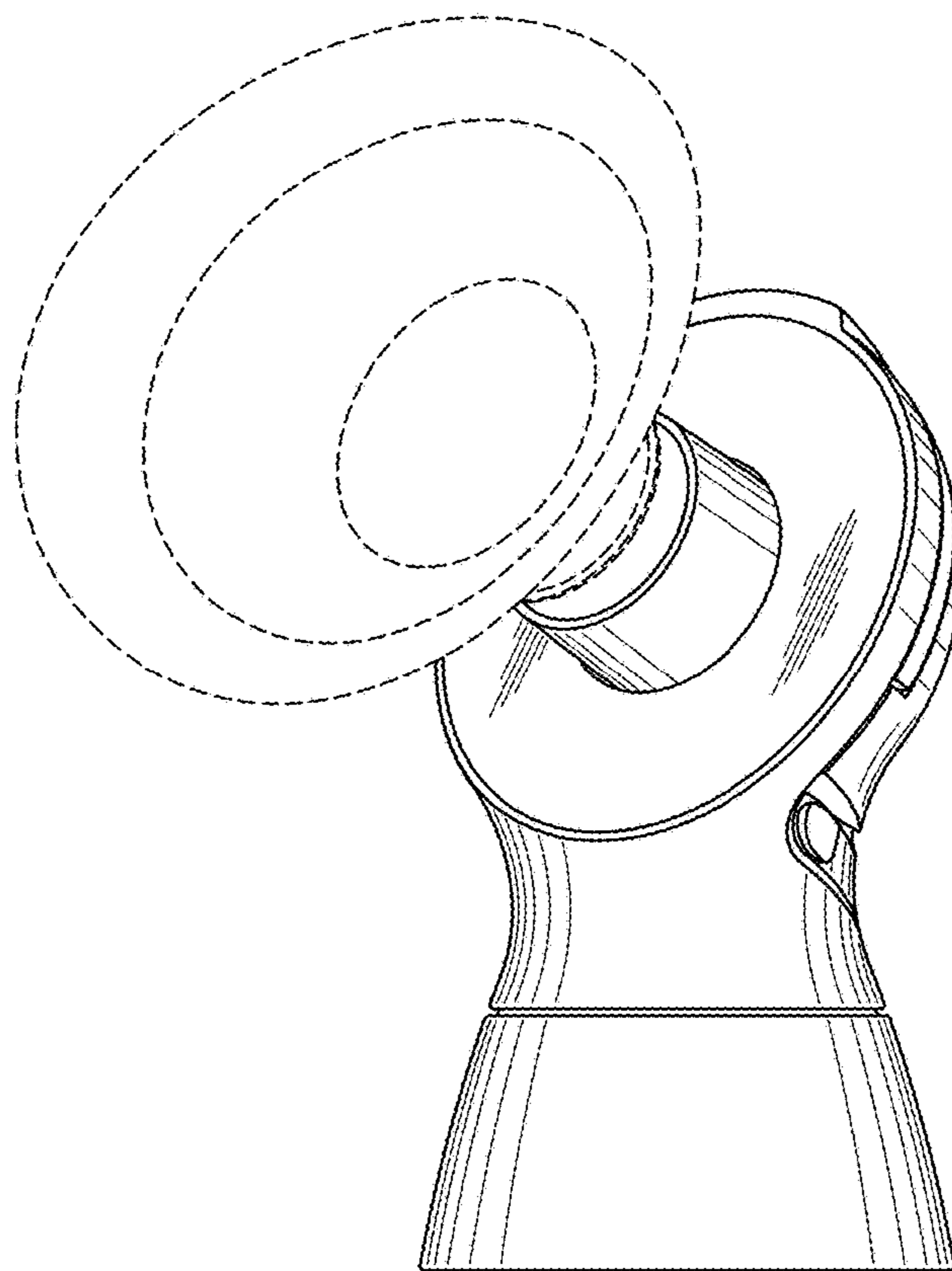


FIG. 8