

US00D846111S

(12) **United States Design Patent**
Ediger

(10) **Patent No.:** **US D846,111 S**

(45) **Date of Patent:** **** Apr. 16, 2019**

(54) **FAN BASE**

(71) Applicant: **Vornado Air LLC**, Andover, KS (US)

(72) Inventor: **Glen W. Ediger**, North Newton, KS (US)

(73) Assignee: **VORNADO AIR, LLC**, Andover, KS (US)

(**) Term: **15 Years**

(21) Appl. No.: **29/603,538**

(22) Filed: **May 10, 2017**

(51) **LOC (11) Cl.** **23-04**

(52) **U.S. Cl.**
USPC **D23/411**

(58) **Field of Classification Search**
USPC D23/370-379, 381-385, 411-414, 360,
D23/314, 335, 332; D26/59, 106, 61-62,
D26/104, 63-65; D32/15
CPC F04D 5/00; F04D 27/00; F04D 29/329;
F24H 3/04
See application file for complete search history.

(56) **References Cited**

U.S. PATENT DOCUMENTS

D325,435 S *	4/1992	Coup	D23/411
D329,696 S *	9/1992	Ediger	D23/411
D335,923 S *	5/1993	Cunning	D23/411
D386,565 S *	11/1997	Jane	D23/378
D416,617 S *	11/1999	Jane'	D23/378
D439,967 S *	4/2001	Bogazzi	D23/382

D452,304 S *	12/2001	Shapiro	D23/382
D456,067 S *	4/2002	Kalina	D23/336
D459,463 S *	6/2002	Chura	D23/411
D547,855 S *	7/2007	Russak	D23/411
D562,962 S *	2/2008	Li	D23/382
D613,392 S *	4/2010	Yeung	D23/382
D617,440 S *	6/2010	Ching	D23/382
D818,111 S *	5/2018	Ediger	D23/411
2017/0181528 A1 *	6/2017	Zimmerman	A45D 42/10

* cited by examiner

Primary Examiner — Janice Hallmark

(74) *Attorney, Agent, or Firm* — Milligan PC LLO

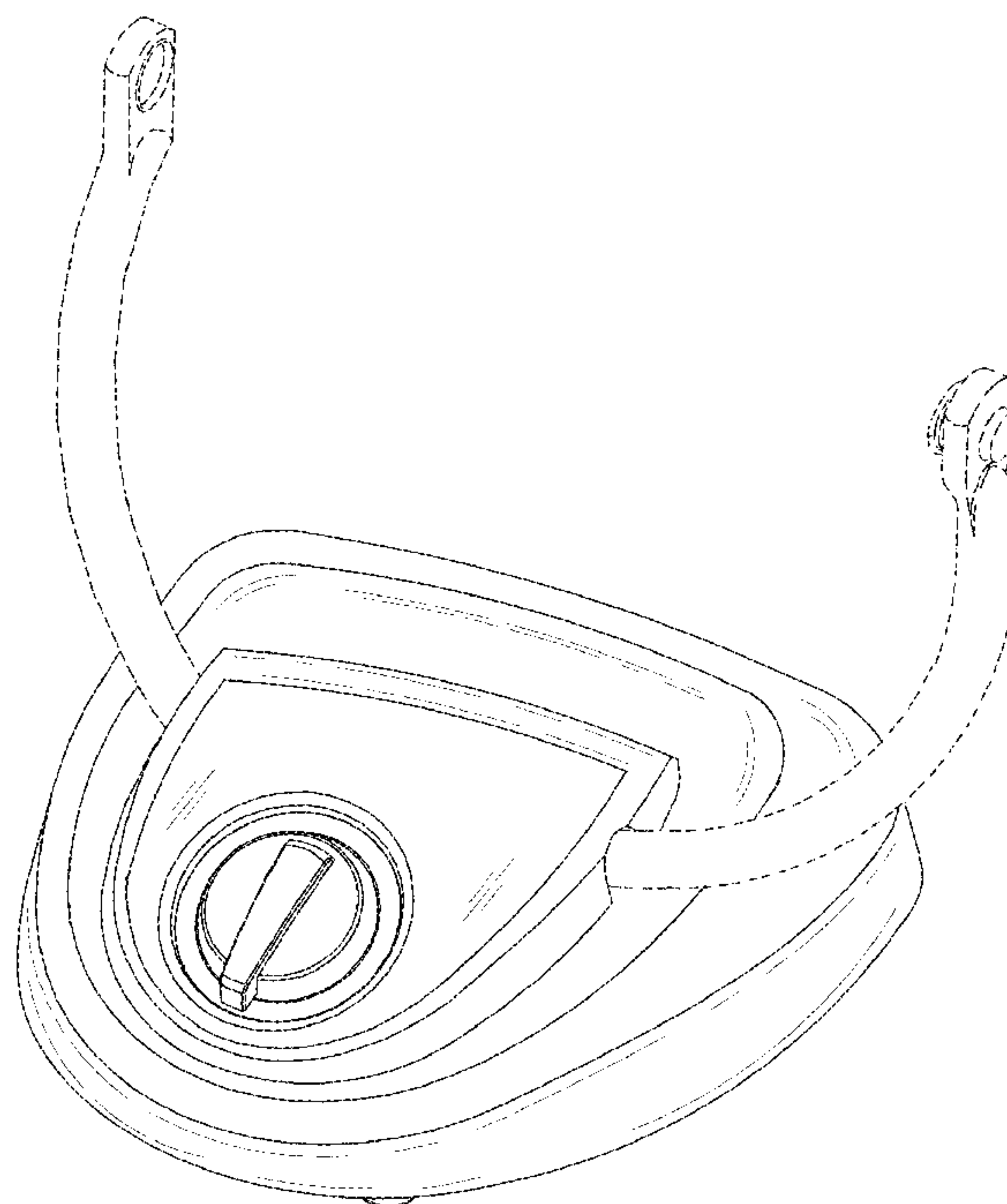
(57) **CLAIM**

An ornamental design for a fan base, as shown and featured in the accompanying drawings.

DESCRIPTION

FIG. 1 is a right front perspective view of a fan base in accordance with the present invention;
FIG. 2 is a front elevation view thereof;
FIG. 3 is a back elevation view thereof;
FIG. 4 is a left side elevation view thereof;
FIG. 5 is a right side elevation view thereof;
FIG. 6 is a bottom plan elevation view thereof;
FIG. 7 is a top plan elevation view thereof;
FIG. 8 is a right front perspective view thereof; and,
FIG. 9 is a right rear perspective view thereof.
In the drawings, the broken lines in FIGS. 1-8 depict portions of the design that form no part of the claim.

1 Claim, 8 Drawing Sheets



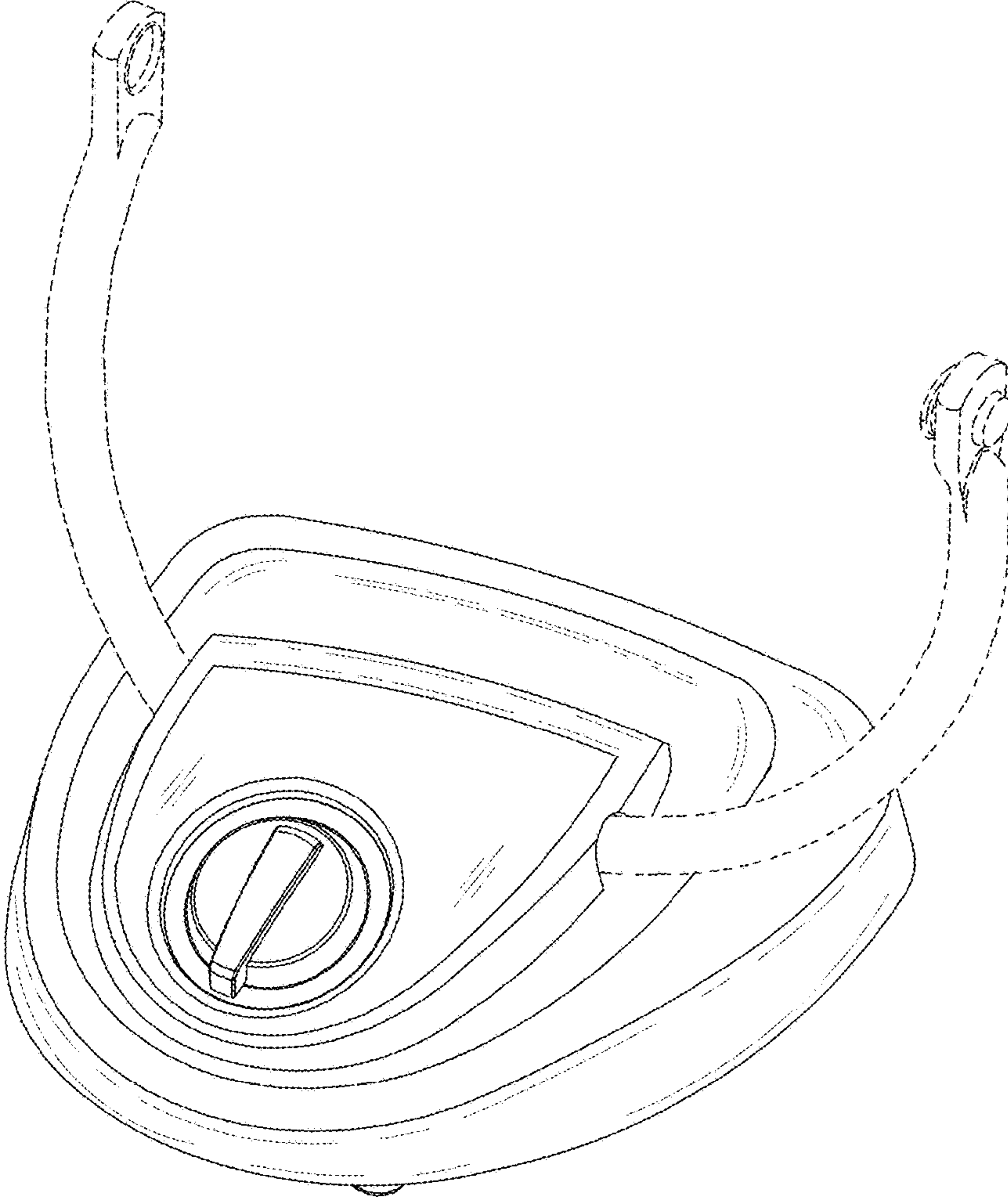


FIG. 1

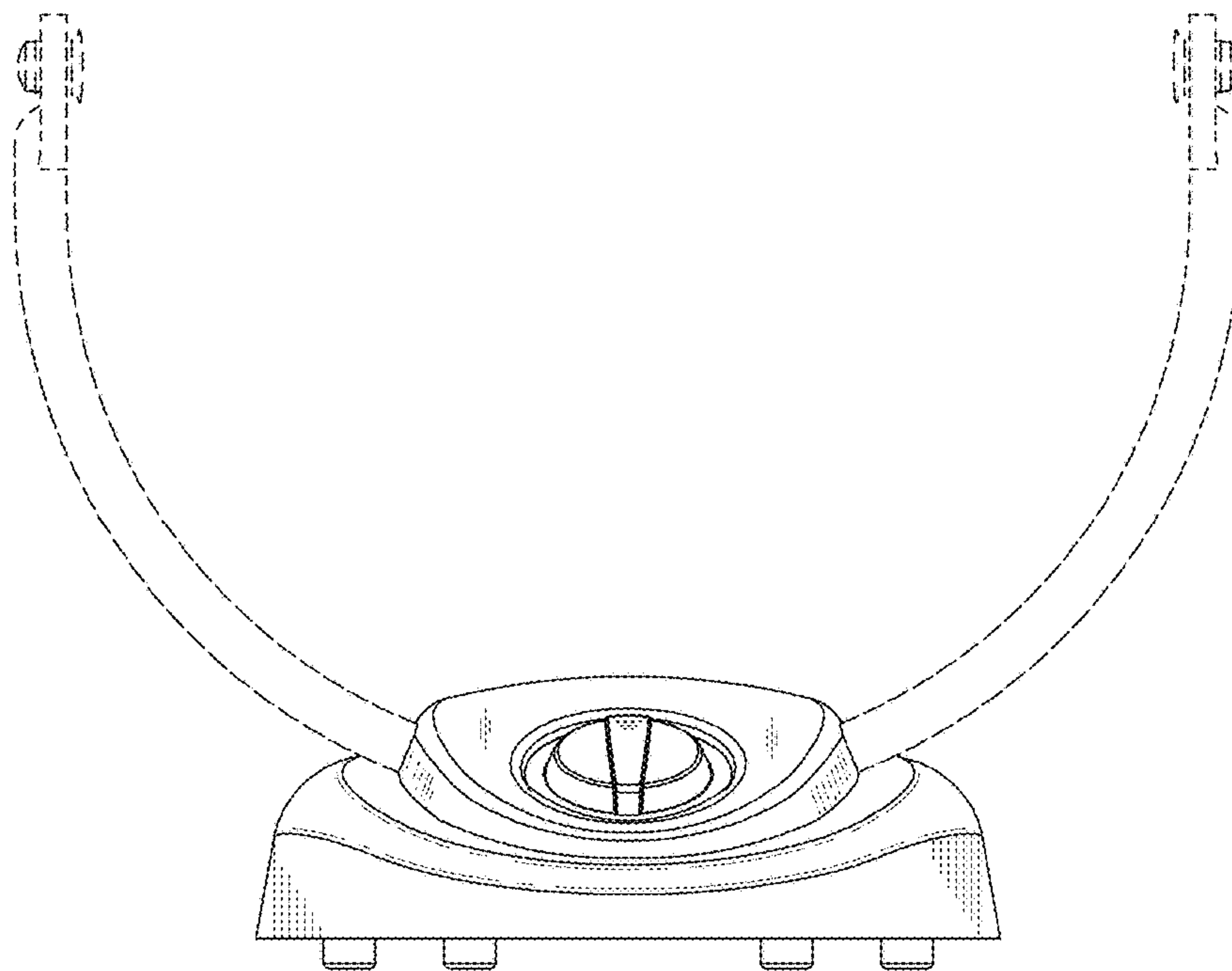


FIG. 2

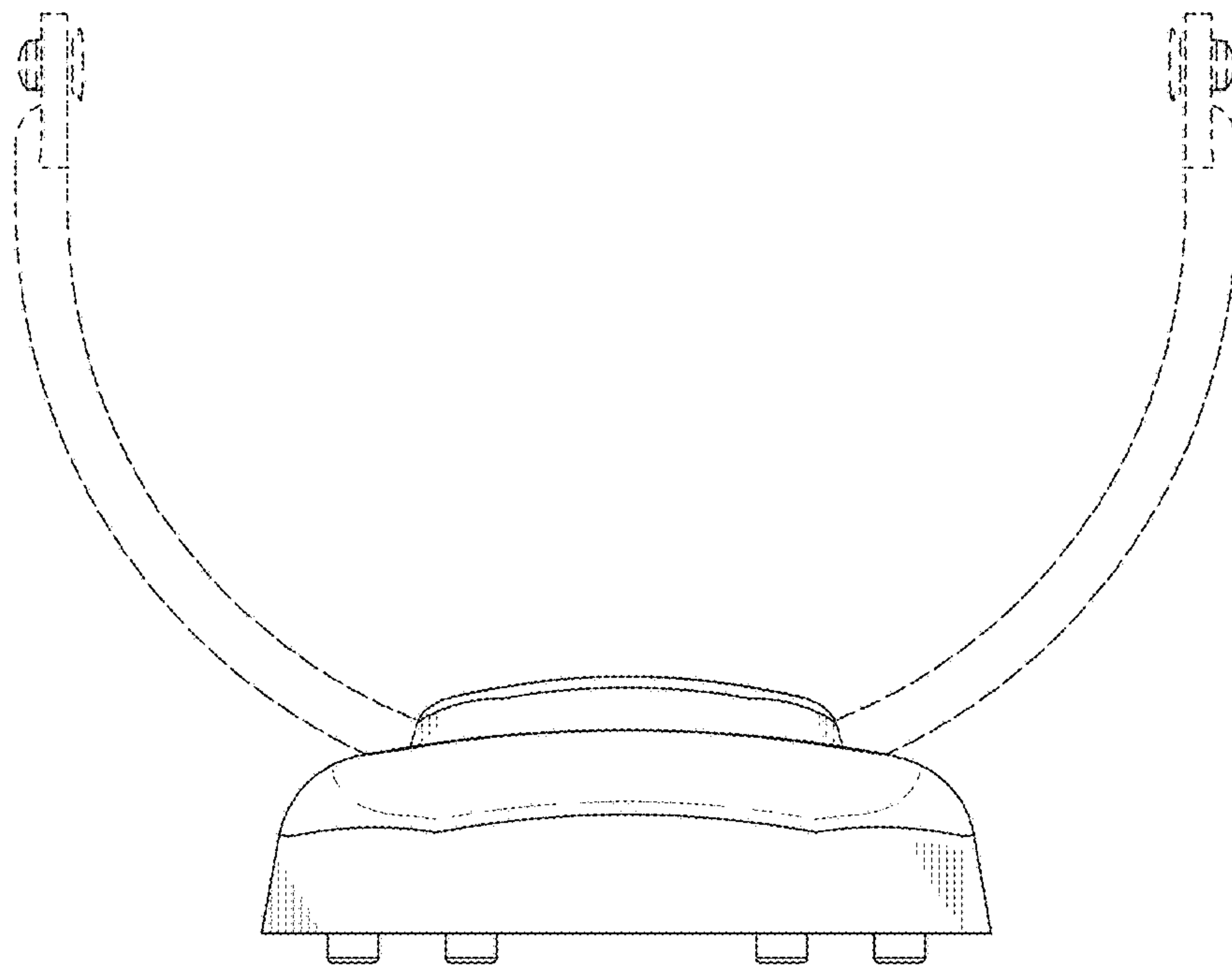


FIG. 3

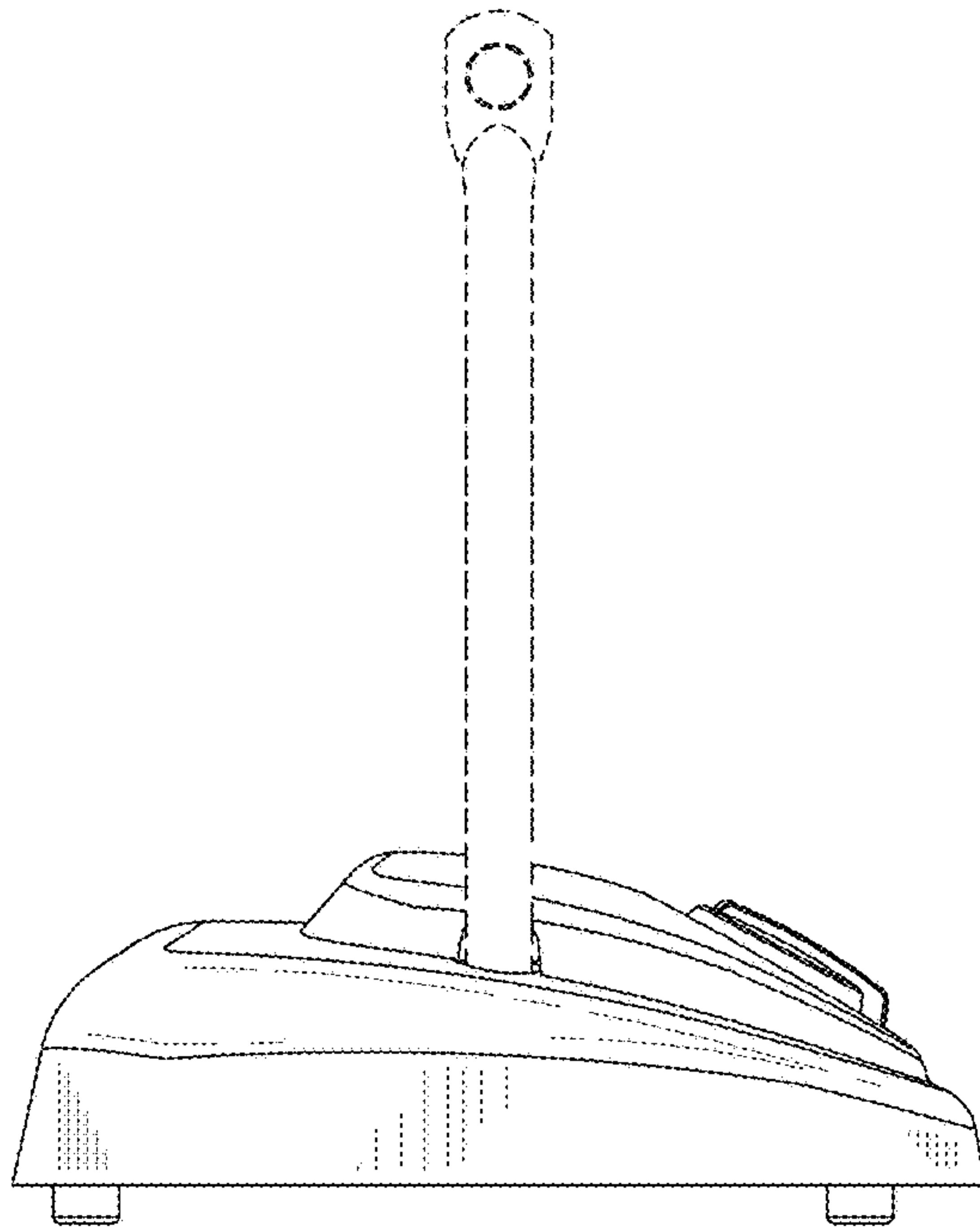


FIG. 4

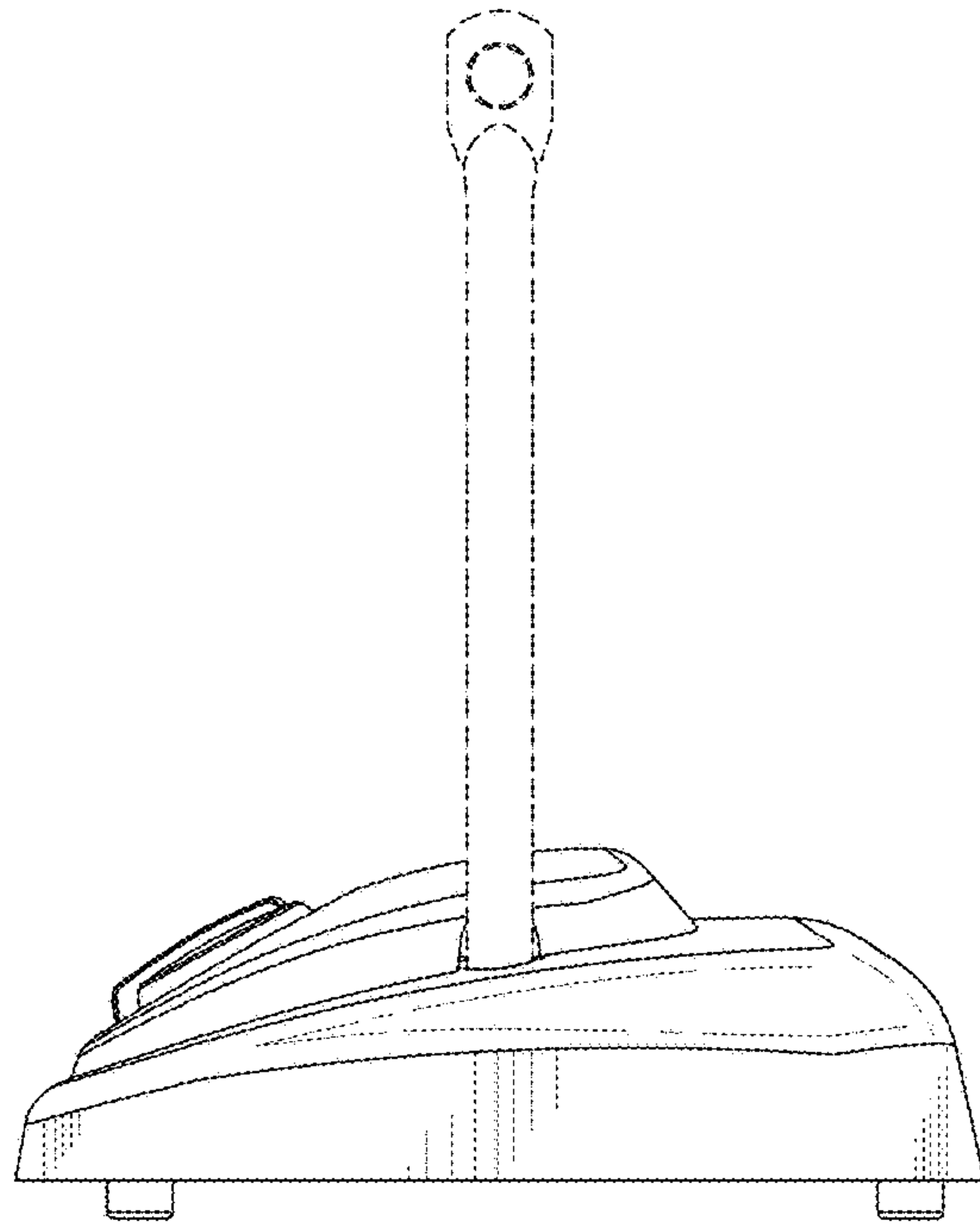


FIG. 5

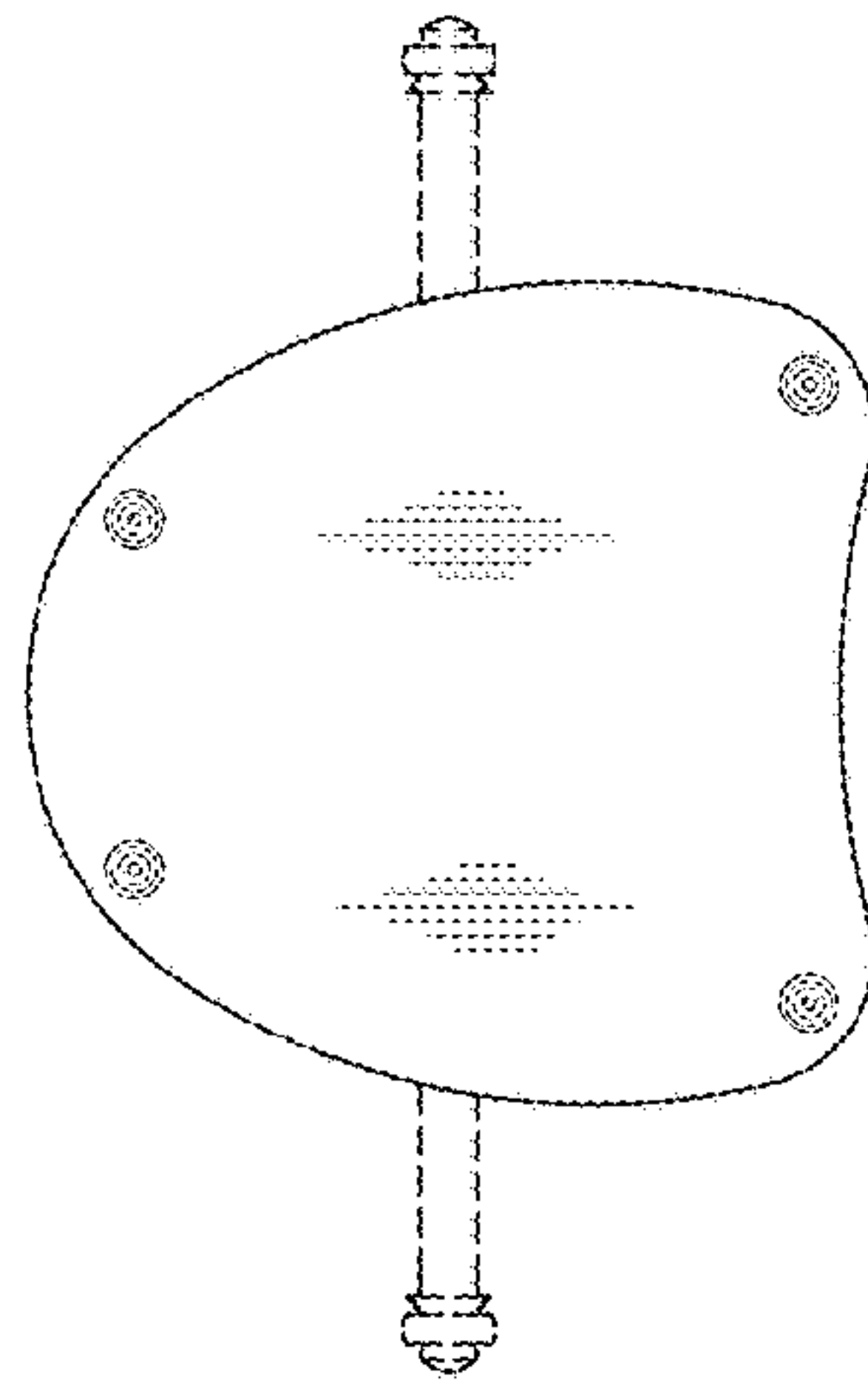


FIG. 6

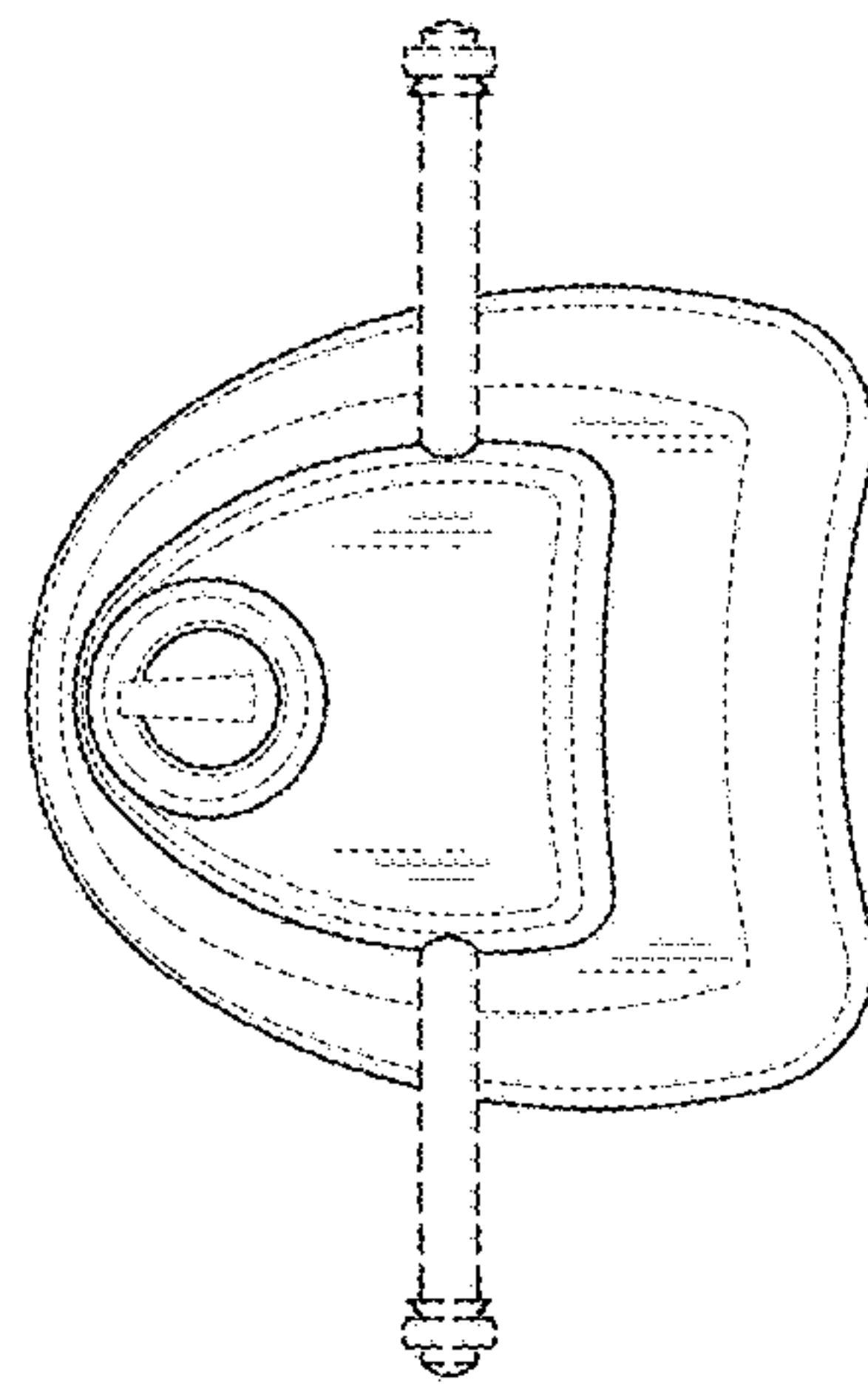


FIG. 7

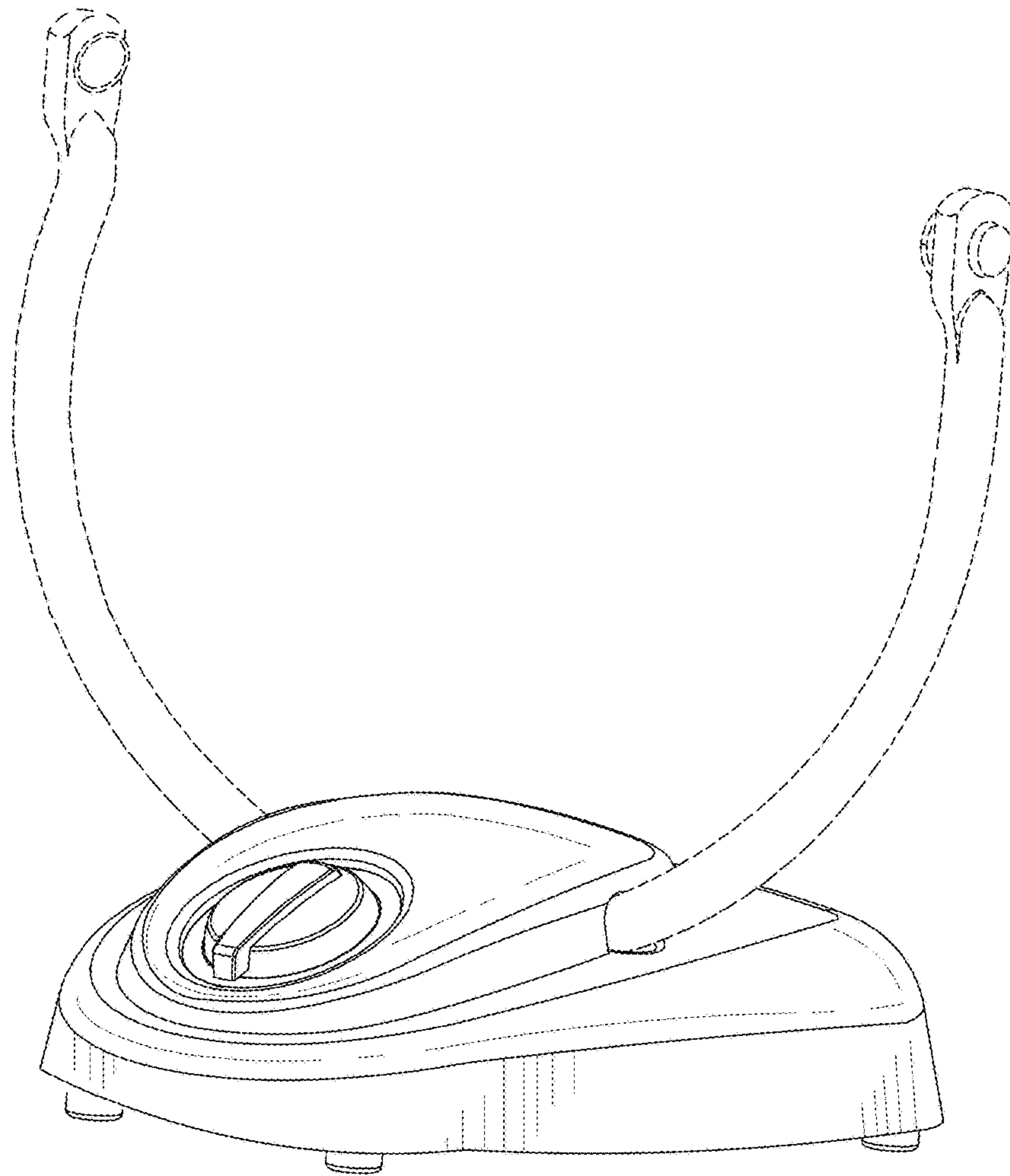


FIG. 8

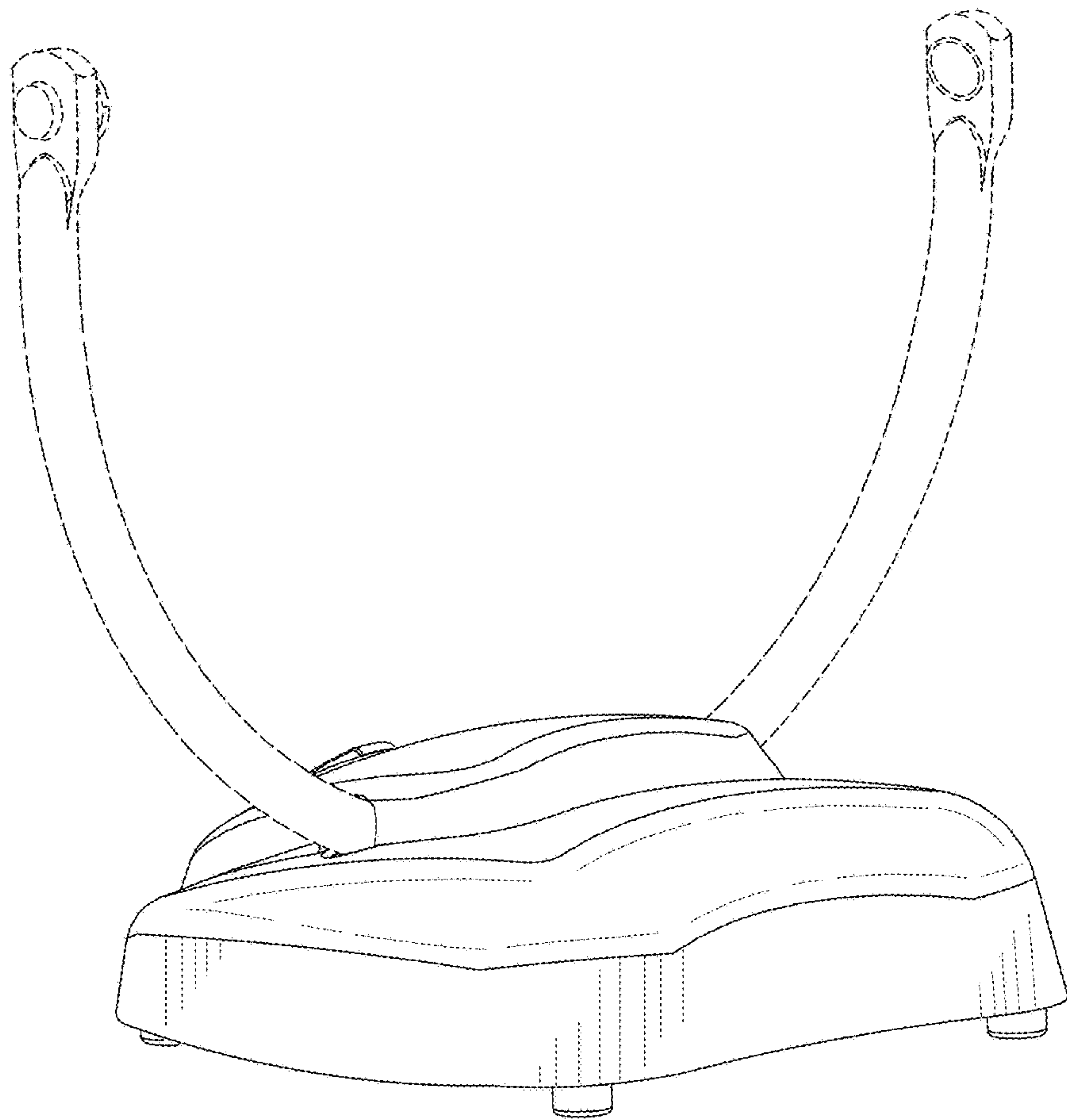


FIG. 9