



US00D846110S

(12) **United States Design Patent** (10) **Patent No.:** **US D846,110 S**  
**Smith et al.** (45) **Date of Patent:** **\*\* Apr. 16, 2019**

(54) **SQUARE TUBE FLASHING COMPRESSION RING**

(71) Applicant: **BlueScope Buildings North America, Inc.**, Kansas City, MO (US)

(72) Inventors: **Duane C. Smith**, Blue Springs, MO (US); **Isaac S. Somogie**, Kansas City, MO (US)

(73) Assignee: **BLUESCOPE BUILDINGS NORTH AMERICA, INC.**, Kansas City, MO (US)

(\*\*) Term: **15 Years**

(21) Appl. No.: **29/606,832**

(22) Filed: **Jun. 8, 2017**

(51) **LOC (11) Cl.** ..... **23-03**

(52) **U.S. Cl.**  
USPC ..... **D23/393**

(58) **Field of Classification Search**  
USPC ..... D23/393, 388, 269, 365; D25/199  
See application file for complete search history.

(56) **References Cited**

**U.S. PATENT DOCUMENTS**

89,403	A *	4/1869	Hall	.....	F23J 13/04 126/314
2,985,465	A *	5/1961	Church	.....	E04D 13/1476 285/238
3,520,093	A *	7/1970	Painter	.....	E04D 13/0325 454/356
D289,078	S *	3/1987	Vassallo	.....	D23/269
D312,506	S *	11/1990	Schalle	.....	D25/199
D364,933	S *	12/1995	Schalle	.....	D25/199
5,711,091	A *	1/1998	Bos	.....	D06F 58/20 34/140
D437,034	S *	1/2001	Stout, Jr.	.....	D23/269
D456,071	S *	4/2002	Mattsson	.....	D23/393

D572,348	S *	7/2008	Arosio	.....	D15/5
D605,739	S *	12/2009	Henry	.....	D23/269
D614,272	S *	4/2010	Henry	.....	D23/269
D655,797	S *	3/2012	Muramatsu	.....	D23/269
D666,704	S *	9/2012	Osendorf	.....	D23/365
D708,732	S *	7/2014	Jensen	.....	D23/388
D737,133	S *	8/2015	Sandman	.....	D8/396
9,169,648	B1 *	10/2015	Mills	.....	E04D 13/1476
D820,962	S *	6/2018	Shin	.....	D23/351

**OTHER PUBLICATIONS**

Best Materials Retrofit Square-Tube Flashing Adaptor, www.bestmaterials.com/detail.aspx?ID\_16358, dated Jun. 6, 2017, 3 pages.

\* cited by examiner

*Primary Examiner* — Kevin K Rudzinski

(74) *Attorney, Agent, or Firm* — Lathrop Gage L.L.P.

(57) **CLAIM**

We claim the ornamental design for a square tube flashing compression ring, as shown and described.

**DESCRIPTION**

FIG. 1 is a perspective view of a square tube flashing compression ring showing our new design mounted onto a square column with a universal master flash located beneath the square tube flashing compression ring;

FIG. 2 is a perspective view of a square tube flashing compression ring;

FIG. 3 is a front elevation view of FIG. 2;

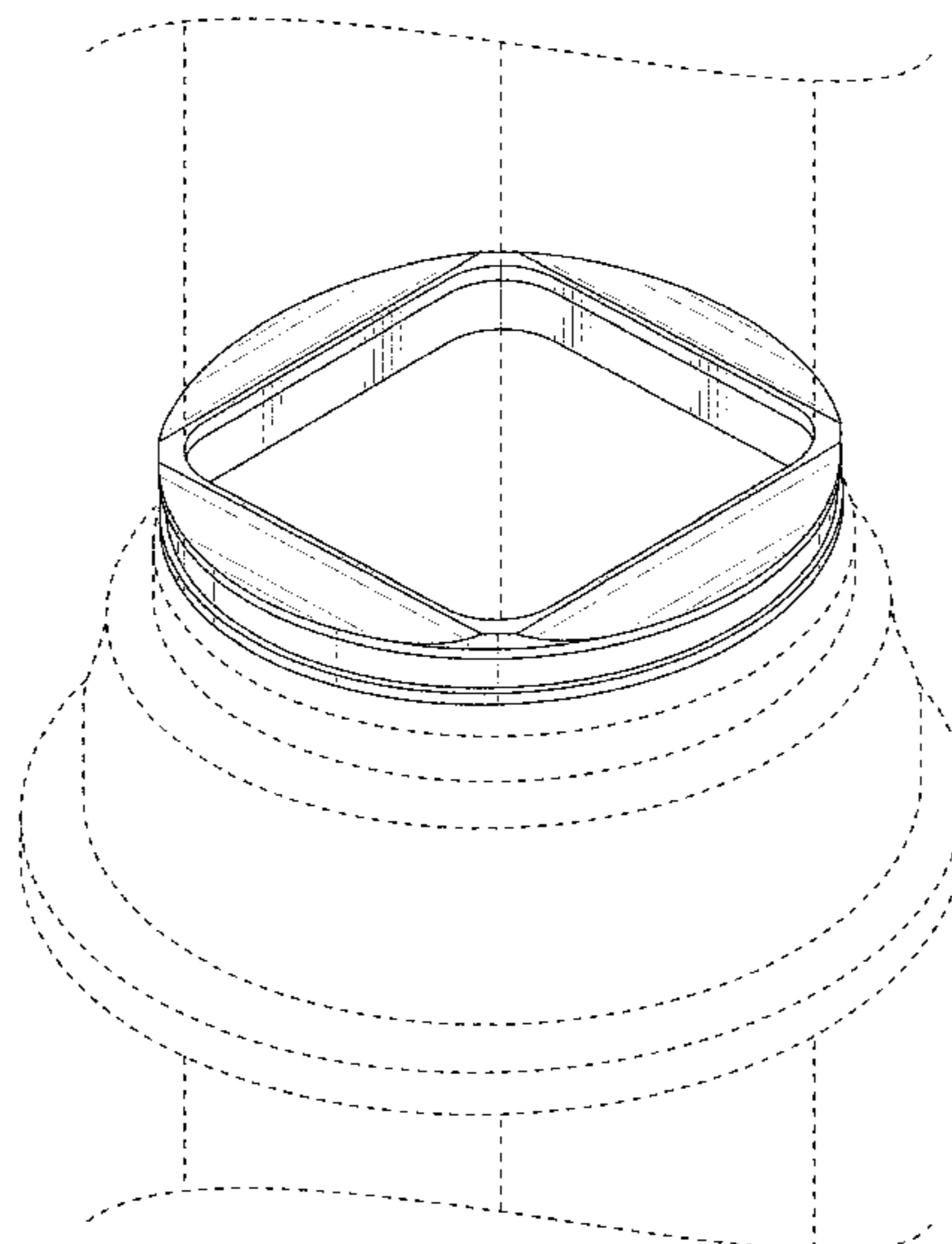
FIG. 4 is a rear elevation view of FIG. 2;

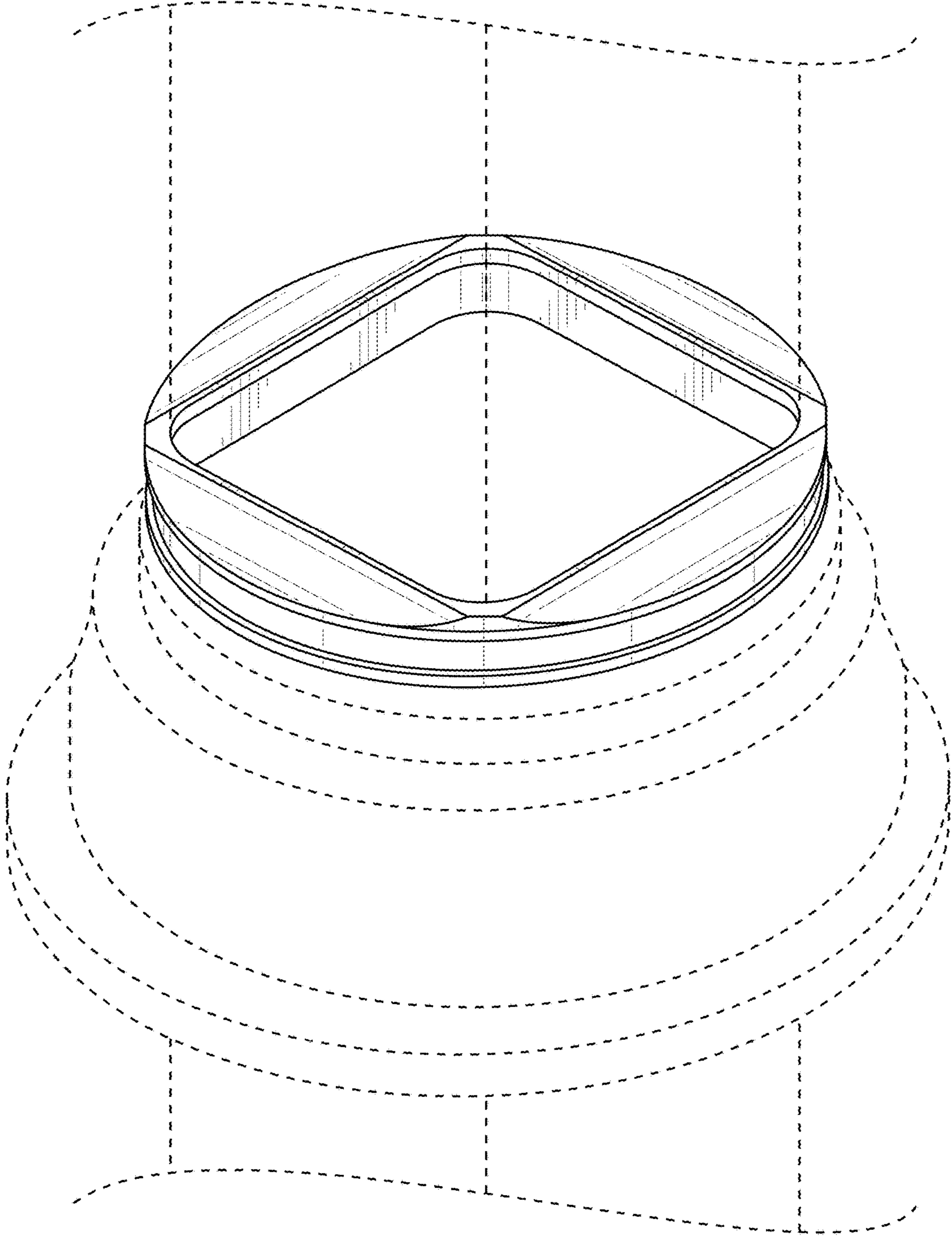
FIG. 5 is a top plan view of FIG. 2; and,

FIG. 6 is a bottom plan view of FIG. 2.

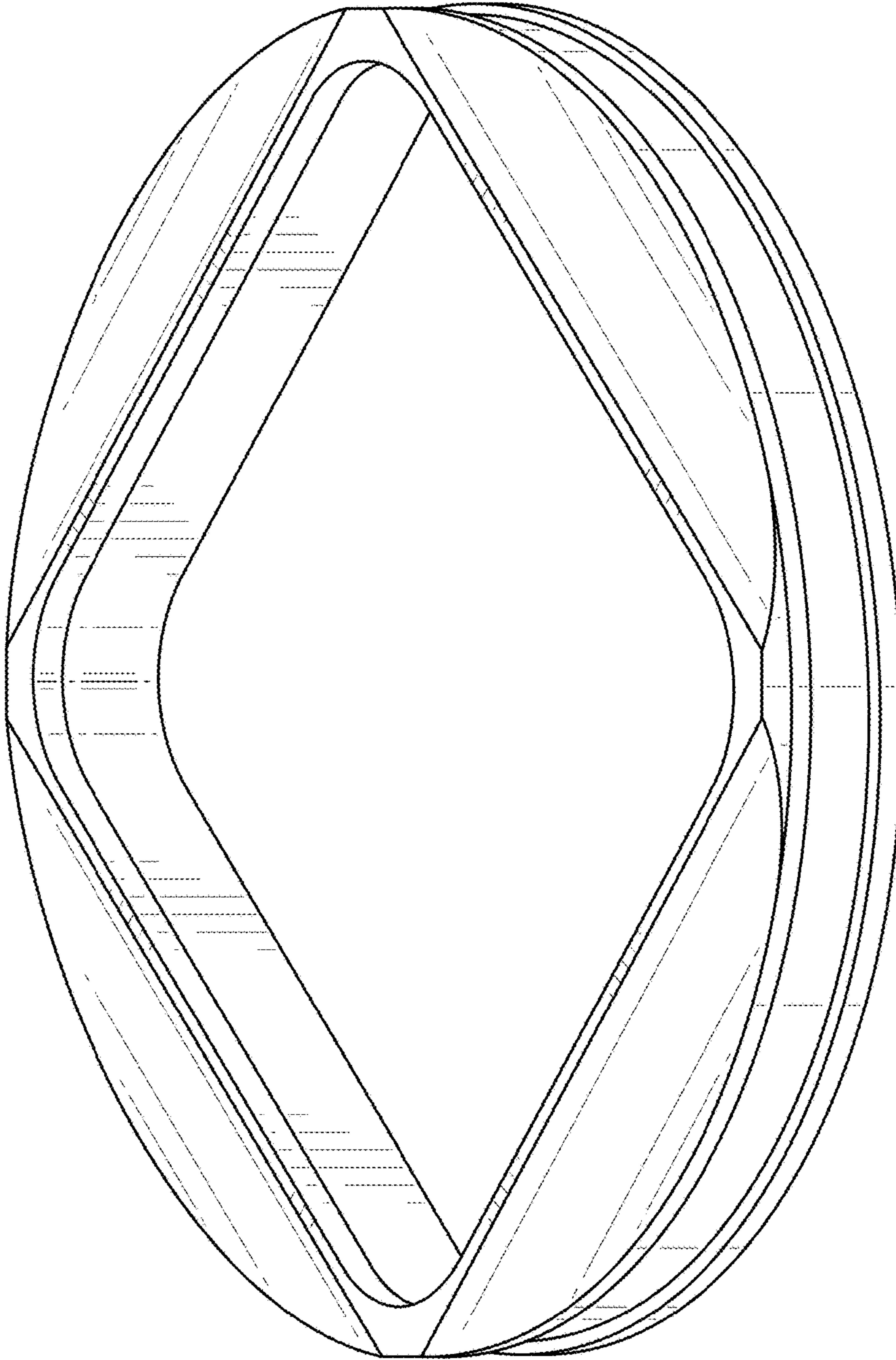
The broken lines showing a square column onto which the square tube flashing compression ring is mounted and a universal master flash positioned beneath the square tube flashing compression ring in FIG. 1 depict environmental matter and form no part of the claimed design.

**1 Claim, 6 Drawing Sheets**

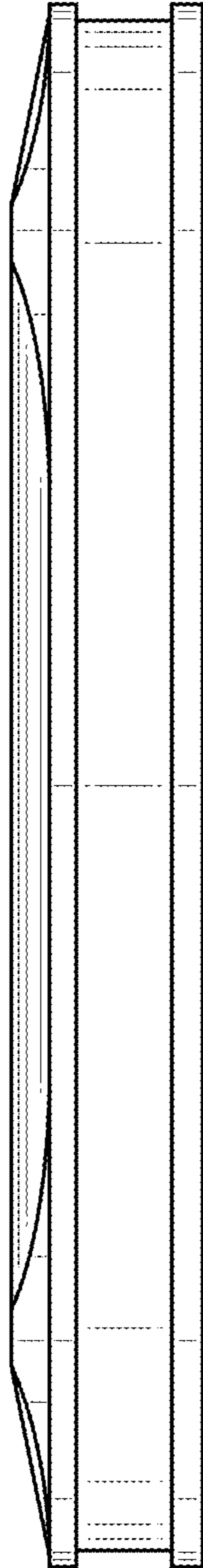




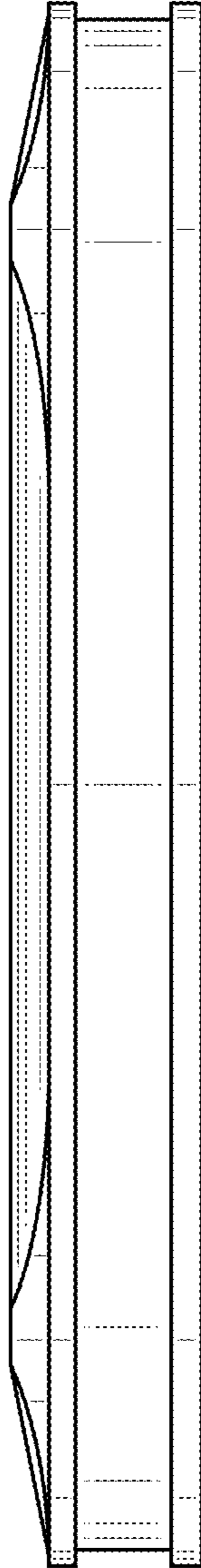
**FIG. 1**



**FIG. 2**

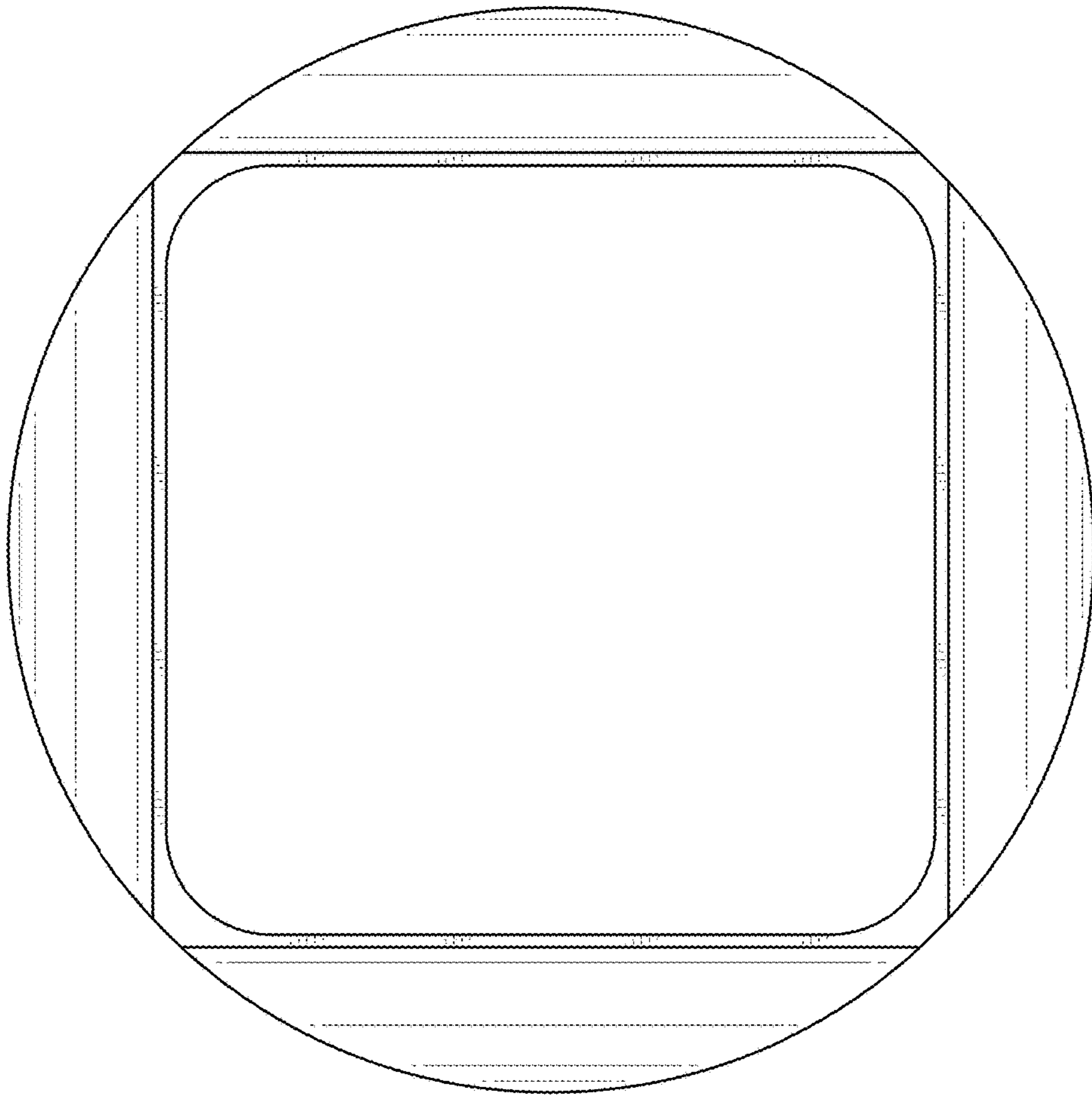


**FIG. 3**

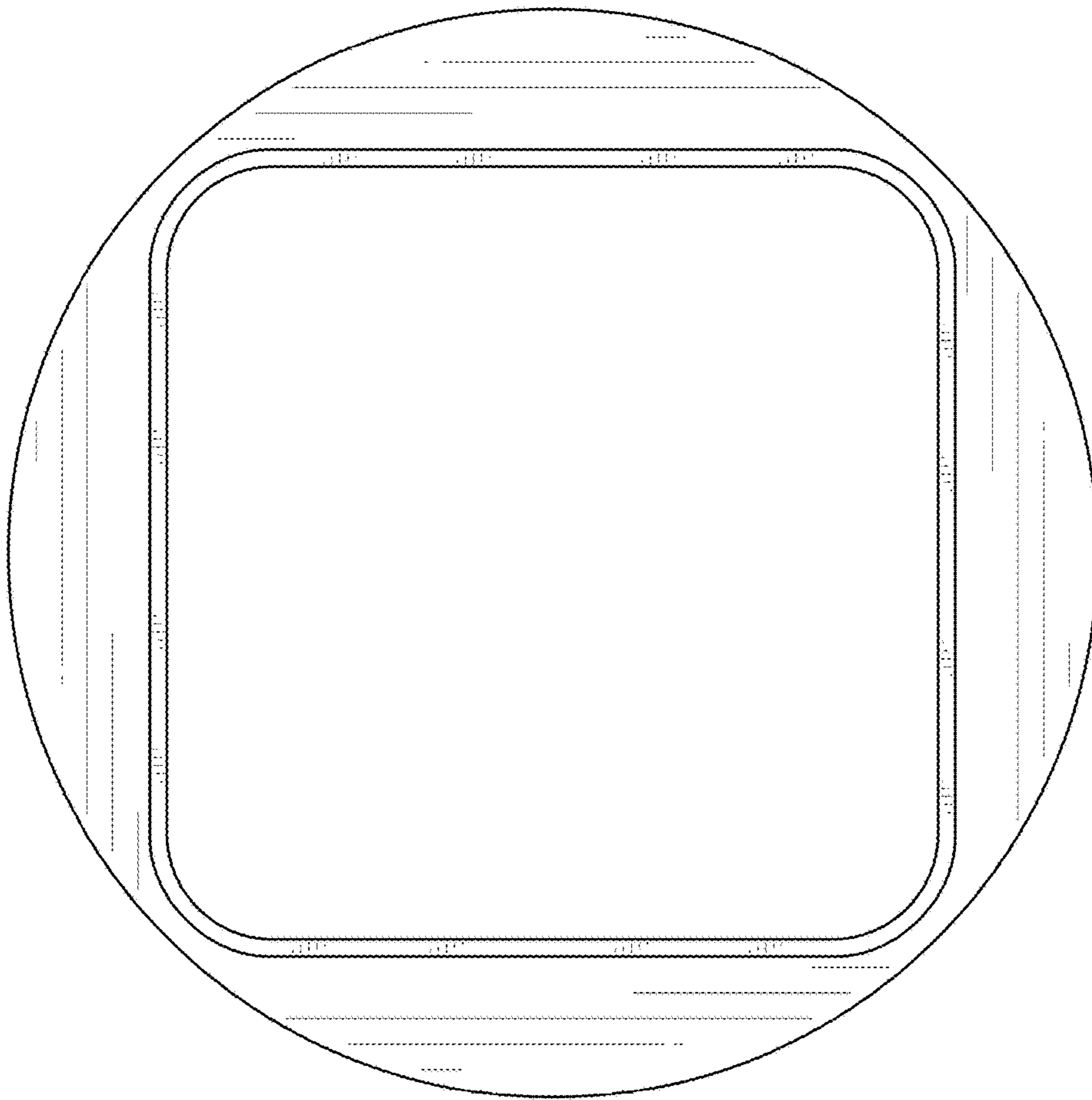


**FIG. 4**





**FIG. 5**



**FIG. 6**